



US00D866365S

(12) **United States Design Patent**  
**Graykowski et al.**

(10) **Patent No.:** **US D866,365 S**

(45) **Date of Patent:** **\*\* Nov. 12, 2019**

(54) **LEVEL**  
(71) Applicant: **Milwaukee Electric Tool Corporation**,  
Brookfield, WI (US)  
(72) Inventors: **Anthony S. Graykowski**, Belgium, WI  
(US); **Eric Mackey**, Milwaukee, WI  
(US); **Andrew Kenneth Dorscheid**,  
Waunakee, WI (US); **Joseph William**  
**Burge**, Milwaukee, WI (US)

1,789,344 A 1/1931 Simon  
2,145,988 A 2/1939 Meder  
2,270,227 A 1/1942 Swanson  
2,419,451 A 4/1947 Keller  
2,627,115 A 2/1953 Pippin  
2,770,046 A 11/1956 Wichmann  
2,829,741 A 4/1958 Selberg et al.  
2,909,839 A 10/1959 Miller

(Continued)

(73) Assignee: **Milwaukee Electric Tool Corporation**,  
Brookfield, WI (US)

CN 201964885 9/2011  
CN 302841208 6/2014

(Continued)

(\*\*) Term: **15 Years**

*Primary Examiner* — Antoine Duval Davis

(21) Appl. No.: **29/645,744**

(74) *Attorney, Agent, or Firm* — Reinhart Boerner Van  
Deuren s.c.

(22) Filed: **Apr. 28, 2018**

(51) **LOC (12) Cl.** ..... **10-04**

(52) **U.S. Cl.**  
USPC ..... **D10/69**

(58) **Field of Classification Search**  
USPC ..... D10/69  
CPC ... G01C 9/24; G01C 9/26; G01C 9/28; G01C  
9/30; G01C 9/32; G01C 9/34; G01C  
9/36; G01C 15/00; G01C 15/002; G01C  
15/004; G01C 15/006; G01C 15/008;  
G01C 15/02; G01C 15/04; G01C 15/06;  
G01C 15/08; G01C 15/10; G01C 15/105;  
G01C 15/12; G01C 15/14

See application file for complete search history.

(56) **References Cited**

**U.S. PATENT DOCUMENTS**

684,846 A 10/1901 Moss  
717,193 A 12/1902 Heghinian  
887,256 A 5/1908 Zeiss  
921,773 A 5/1909 Zeiss  
1,032,379 A 7/1912 Cole  
1,137,169 A 4/1915 Rudloff

**FOREIGN PATENT DOCUMENTS**

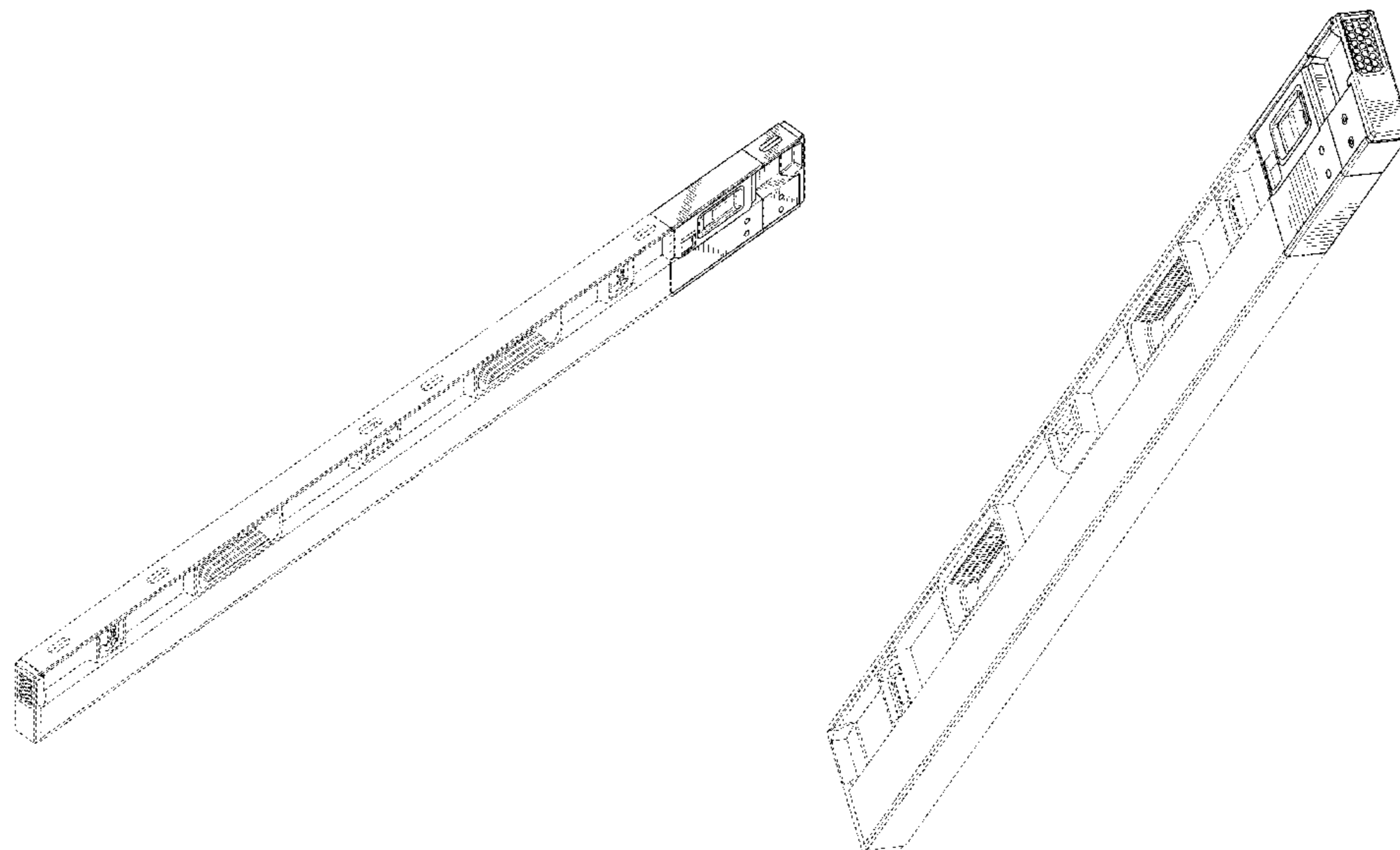
(57) **CLAIM**

We claim the ornamental design for a level, as shown and  
described.

**DESCRIPTION**

FIG. 1 is a perspective view from above of another embodi-  
ment of the claimed design;  
FIG. 2 is a perspective view from below of the claimed  
design of FIG. 1;  
FIG. 3 is a right side view of the claimed design of FIG. 1;  
FIG. 4 is a left side view of the claimed design of FIG. 1;  
FIG. 5 is a front view of the claimed design of FIG. 1;  
FIG. 6 is a rear view of the claimed design of FIG. 1;  
FIG. 7 is a top view of the claimed design of FIG. 1; and,  
FIG. 8 is a bottom view of the claimed design of FIG. 1.  
The ornamental design which is claimed is shown in solid  
lines in the drawings. The broken dot-dash lines define  
boundaries of the claimed design and form no part thereof.  
The other broken lines in the drawings are for illustrative  
purposes only and form no part of the claimed design.

**1 Claim, 5 Drawing Sheets**



(56)

References Cited

U.S. PATENT DOCUMENTS

3,104,477	A	9/1963	Edwill
3,220,297	A	11/1965	Baker et al.
3,383,772	A	5/1968	Gardner et al.
3,648,378	A	3/1972	Thingstad et al.
3,680,214	A	8/1972	Quenot
4,099,331	A	7/1978	Peterson
4,112,584	A	9/1978	Kooi et al.
4,130,943	A	12/1978	Talbot
4,150,492	A	4/1979	Tracy
4,319,405	A	3/1982	Price
4,399,616	A	8/1983	Jansson
4,435,908	A	3/1984	Semler, Jr.
4,621,431	A	11/1986	Fatool et al.
4,894,925	A	1/1990	Langmaid
4,928,395	A	5/1990	Good
5,155,917	A	10/1992	Townsend et al.
5,249,365	A	10/1993	Santiago
5,388,338	A	2/1995	Majors
5,412,875	A	5/1995	Hilderbrandt
5,433,011	A	7/1995	Scarborough et al.
5,524,353	A	6/1996	Fink
5,577,327	A	11/1996	Archambault
5,617,641	A	4/1997	Aarhus
5,832,618	A	11/1998	Scarborough
5,881,468	A	3/1999	Baumann
5,915,810	A	6/1999	Cameron
6,041,510	A	3/2000	Huff
6,047,478	A	4/2000	Sowers
6,085,434	A	7/2000	Mitchell
6,138,369	A	10/2000	Mushin
6,148,529	A	11/2000	Kennedy

6,167,631	B1	1/2001	Lin
6,279,240	B1	8/2001	Bonaventura, Jr.
6,293,023	B1	9/2001	Crowe
6,293,024	B1	9/2001	Fiebig et al.
6,637,120	B2	10/2003	Pustay
6,640,455	B1	11/2003	Smothers
6,915,585	B2	7/2005	Von Wedemeyer
6,915,588	B1	7/2005	Gay
7,086,166	B2	8/2006	Helda et al.
7,281,335	B2	10/2007	Feliciano
7,290,346	B2	11/2007	Szumer et al.
7,299,560	B2	11/2007	Diaz et al.
7,497,022	B1	3/2009	Aarhus
7,520,066	B2	4/2009	Richins
8,225,520	B2	7/2012	Rabin
8,413,343	B2	4/2013	Hale
8,539,686	B2	9/2013	Lais
D750,512	S	3/2016	Wojciechowski et al.
2002/0116833	A1	8/2002	Hollenbeck
2004/0172846	A1	9/2004	McRae
2013/0326895	A1	12/2013	Bureau

FOREIGN PATENT DOCUMENTS

EP	1395792	2/2008
GB	1155287	6/1969
GB	2371583	7/2002
TW	M263493	5/2005
WO	WO1987002314	4/1987
WO	WO1992020998	11/1992
WO	WO9504915	2/1995
WO	WO1997029345	8/1997
WO	WO9841817	9/1998
WO	WO2000063644	10/2000
WO	WO2003106926	12/2003

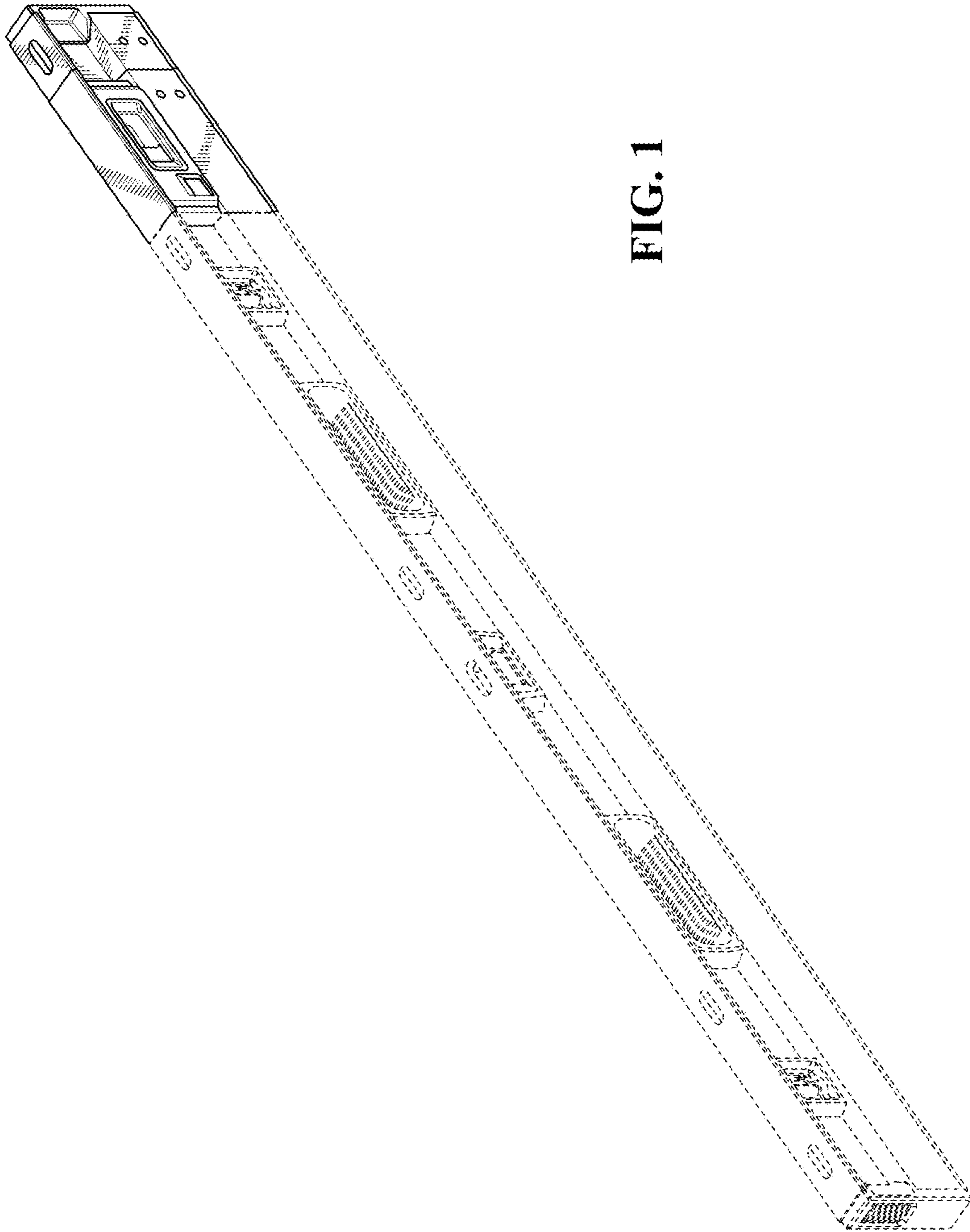


FIG. 1

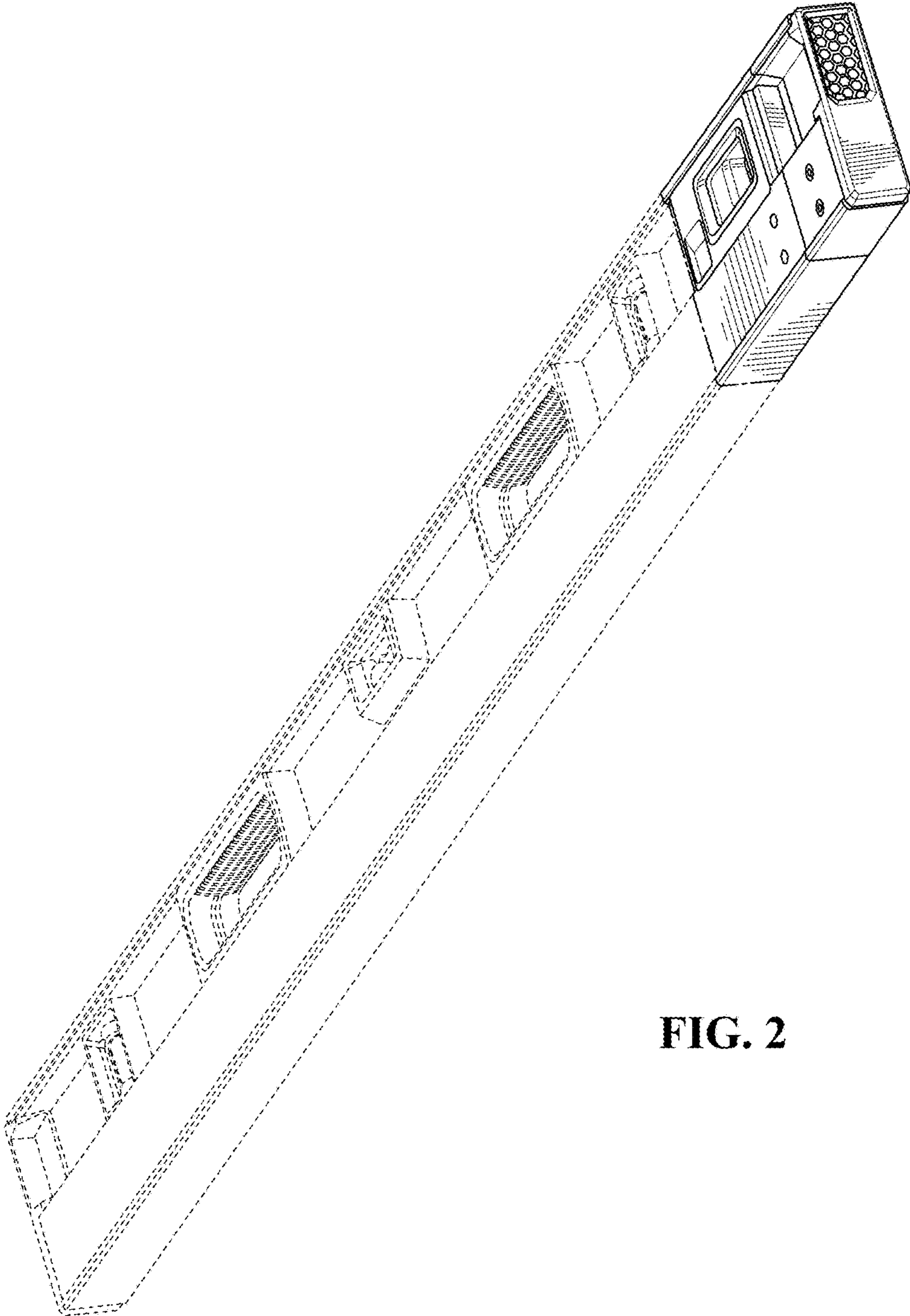


FIG. 2

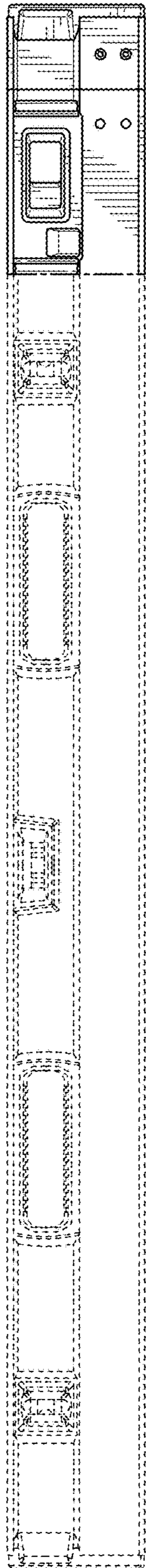


FIG. 3

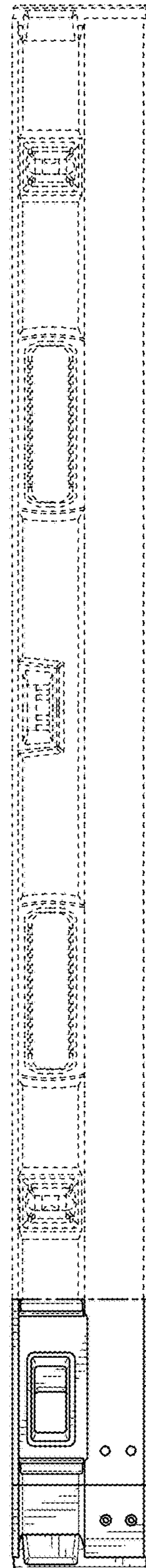


FIG. 4



**FIG. 5**



**FIG. 6**

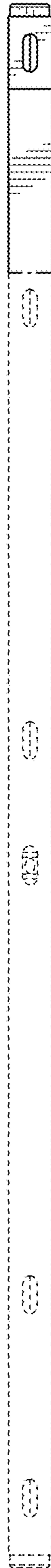


FIG. 7

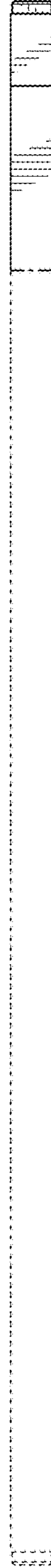


FIG. 8