



US00D866364S

(12) **United States Design Patent** (10) **Patent No.:** **US D866,364 S**
O'Neill et al. (45) **Date of Patent:** **** Nov. 12, 2019**

(54) **MEASUREMENT DEVICE**

(71) Applicant: **FARO Technologies, Inc.**, Lake Mary, FL (US)

(72) Inventors: **Daniel J. O'Neill**, Willow Grove, PA (US); **Matthew Frederick Evans**, Wyndmoor, PA (US); **Simon Raab**, Santa Barbara, CA (US); **Yazid Tohme**, West Chester, PA (US)

(73) Assignee: **FARO TECHNOLOGIES, INC.**, Lake Mary, FL (US)

(**) Term: **15 Years**

(21) Appl. No.: **29/660,255**

(22) Filed: **Aug. 20, 2018**

(51) **LOC (12) Cl.** **10-04**

(52) **U.S. Cl.**
USPC **D10/66**

(58) **Field of Classification Search**
USPC D10/66
CPC ... G01C 1/00; G01C 1/02; G01C 1/04; G01C 1/06; G01C 1/08; G01C 1/10; G01C 1/12; G01C 1/14

See application file for complete search history.

(56) **References Cited**

U.S. PATENT DOCUMENTS

5,357,371	A	10/1994	Minott	
8,467,072	B2	6/2013	Cramer et al.	
D848,291	S *	5/2019	Theiss	D10/66
2011/0176145	A1	7/2011	Edmonds et al.	
2012/0206808	A1	8/2012	Brown et al.	

2012/0265479	A1	10/2012	Bridges
2013/0155386	A1	6/2013	Bridges
2014/0267623	A1	9/2014	Bridges et al.
2015/0365653	A1	12/2015	Yazid
2015/0377605	A1	12/2015	Bridges
2016/0187470	A1	6/2016	Becker et al.
2017/0003372	A1	1/2017	Antoina et al.
2017/0108528	A1	4/2017	Atlas et al.

* cited by examiner

Primary Examiner — Antoine Duval Davis

(74) *Attorney, Agent, or Firm* — Cantor Colburn LLP

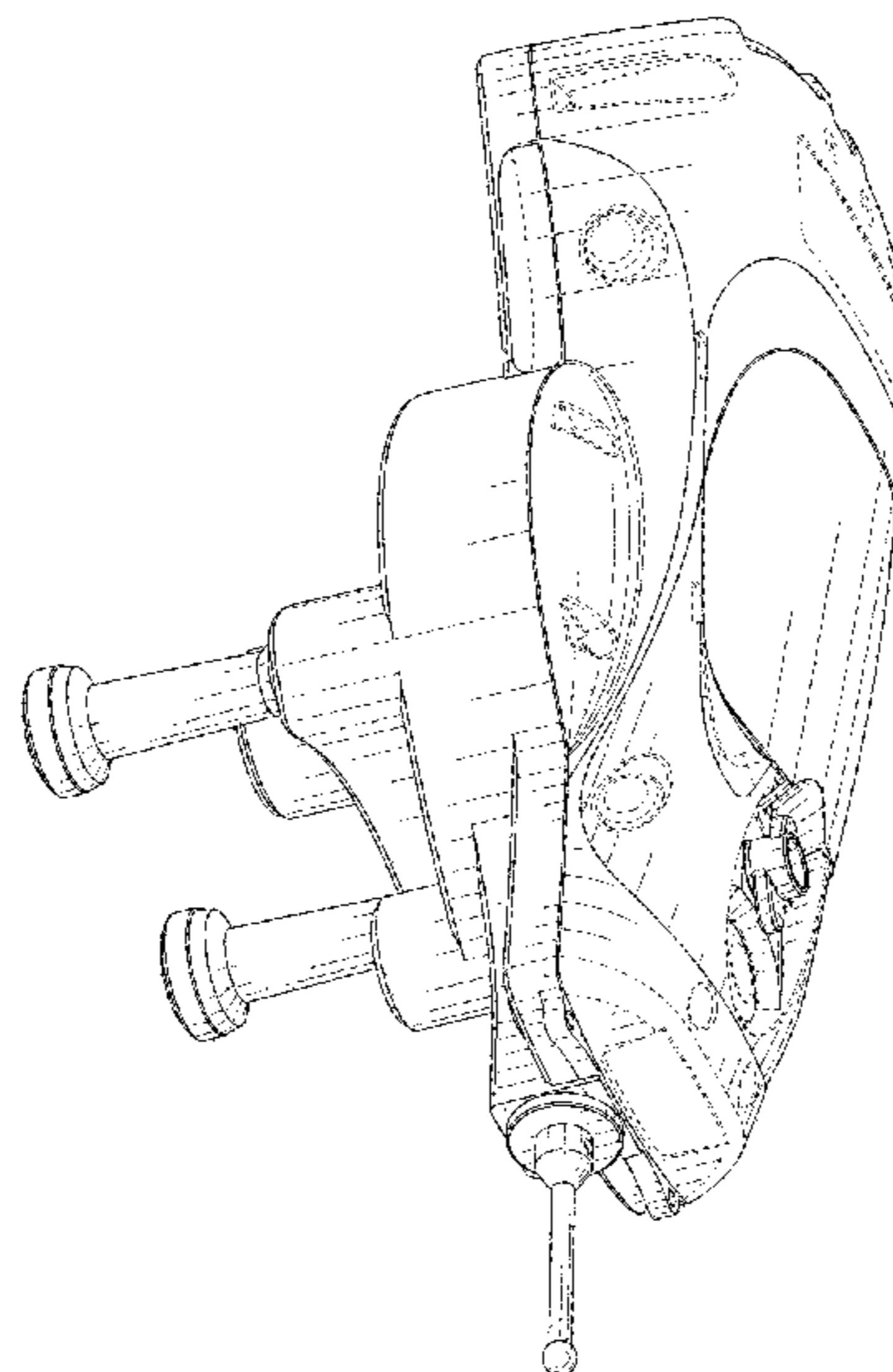
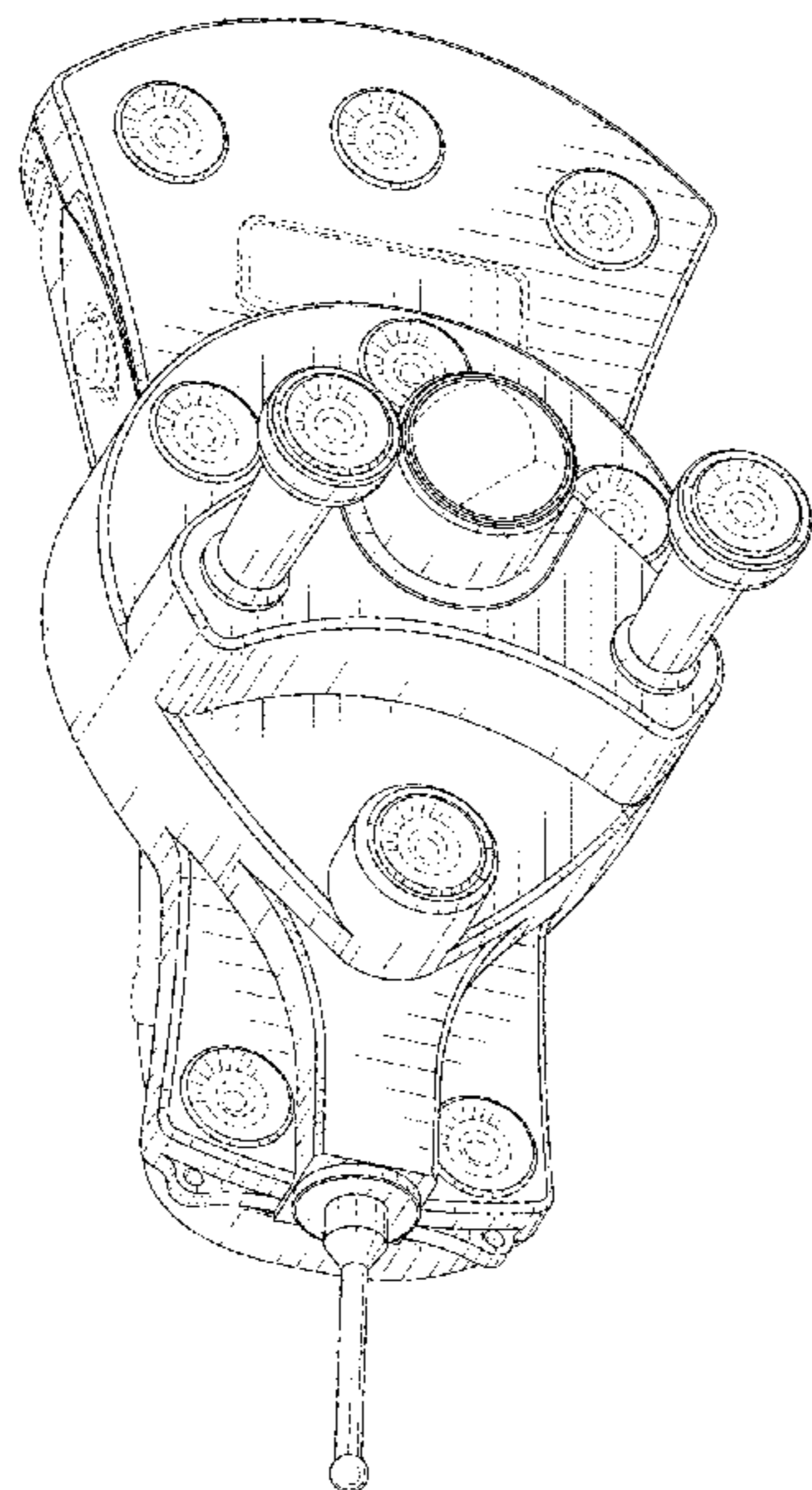
(57) **CLAIM**

We claim the ornamental design for a measurement device, as shown and described.

DESCRIPTION

FIG. 1 is a front top perspective view;
FIG. 2 is a front view;
FIG. 3 is a rear view;
FIG. 4 is a first side view;
FIG. 5 is a second side view;
FIG. 6 is a top view;
FIG. 7 is a bottom view;
FIG. 8 is a front bottom perspective view; and,
FIG. 9 is a rear bottom perspective view.
The broken lines shown in FIG. 1-FIG. 8 are not part of the claimed design.
References to “side”, “top”, “front”, “rear” and “bottom” in the figure descriptions are not meant to require certain in-use orientation; a measurement device according to the claimed design may be used in any orientation.

1 Claim, 9 Drawing Sheets



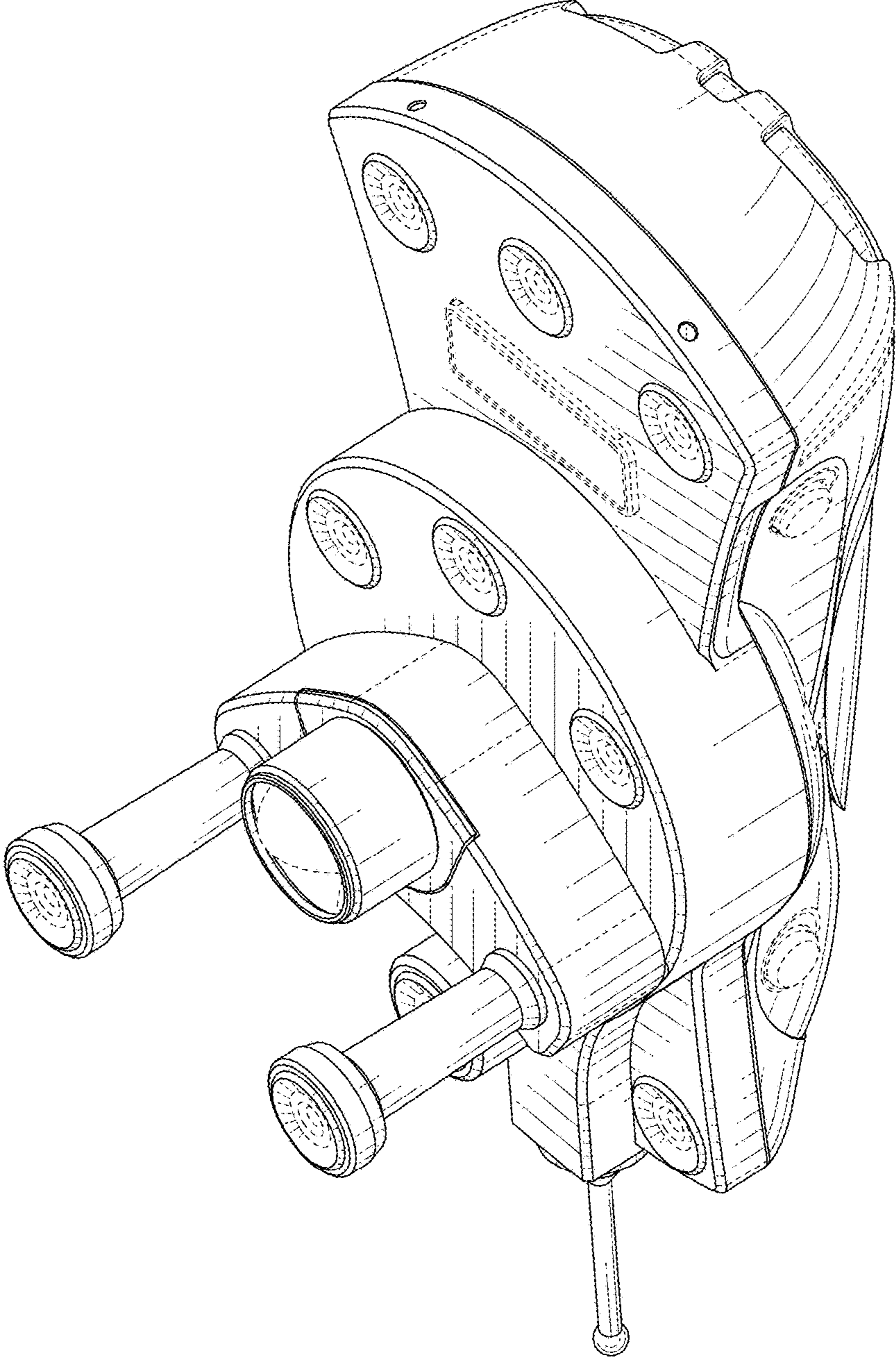


FIG. 1

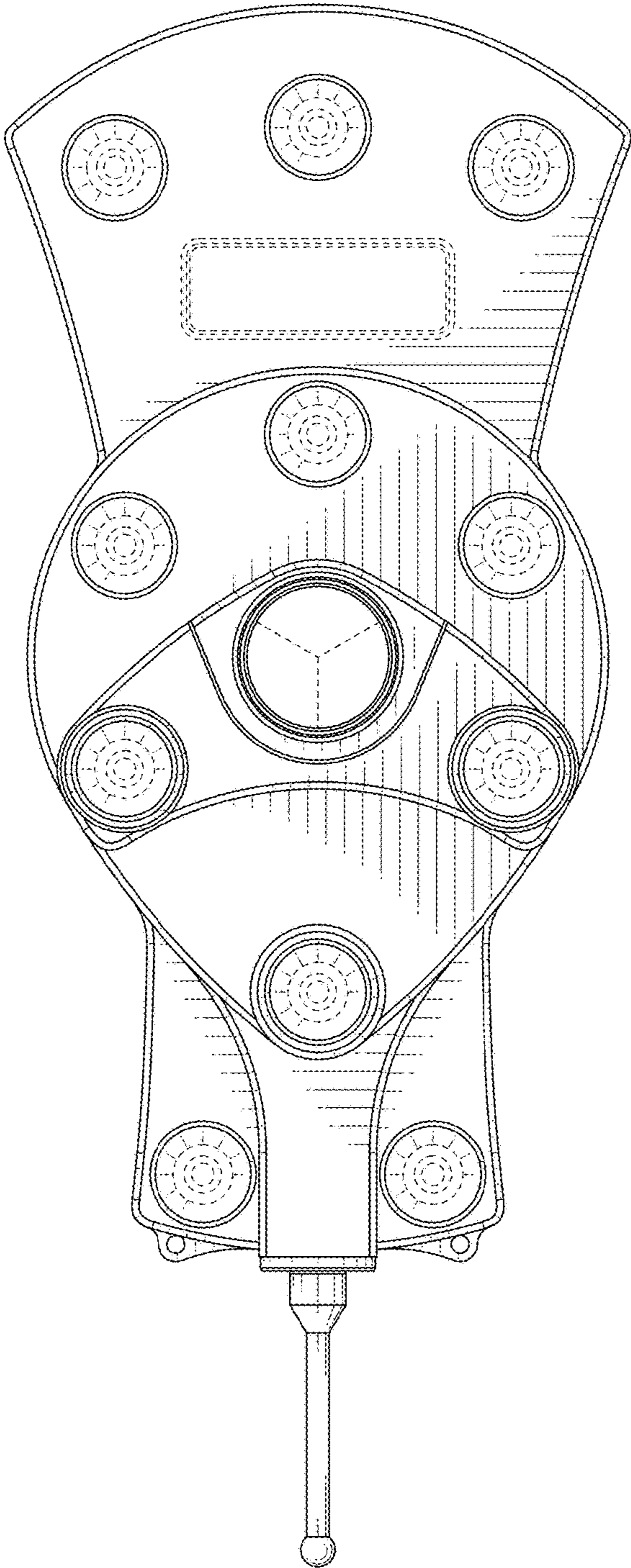


FIG. 2

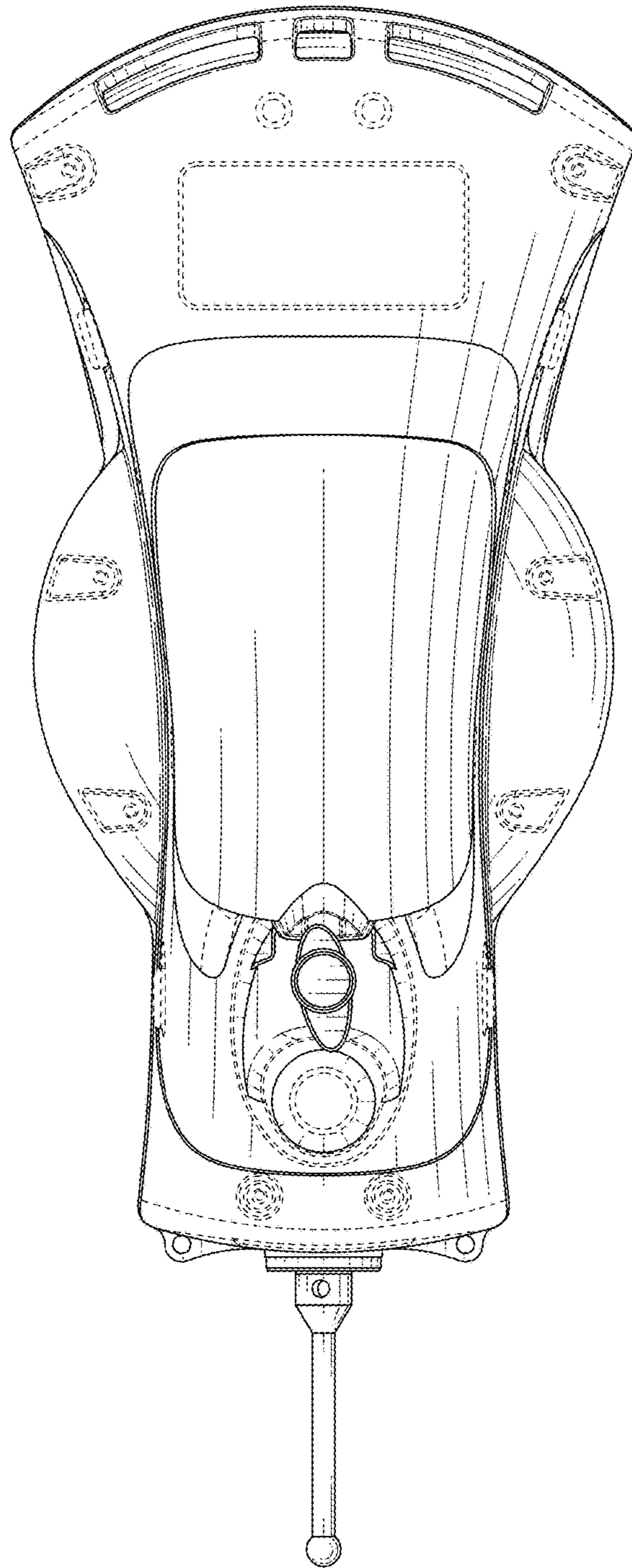


FIG. 3

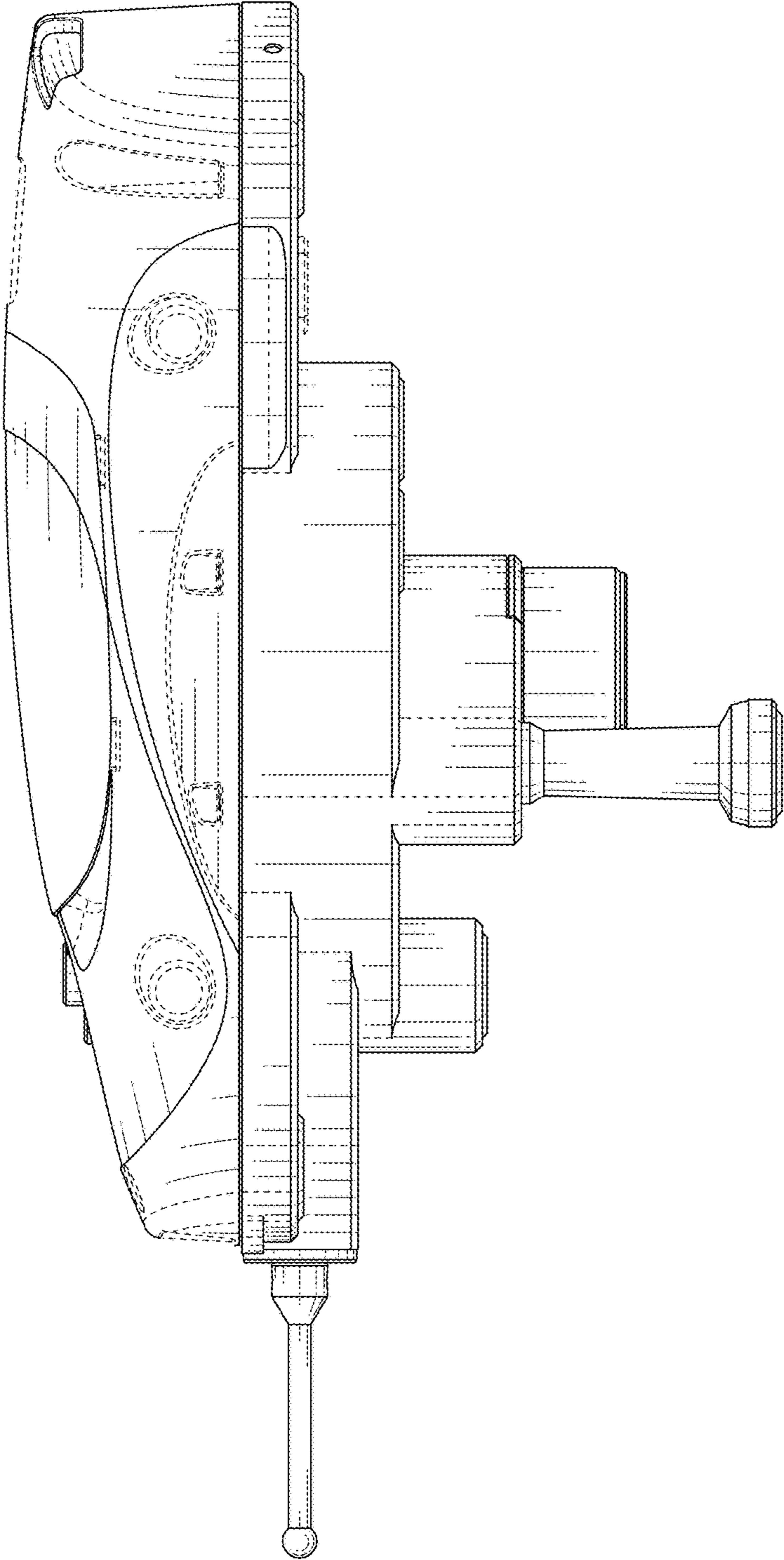


FIG. 4

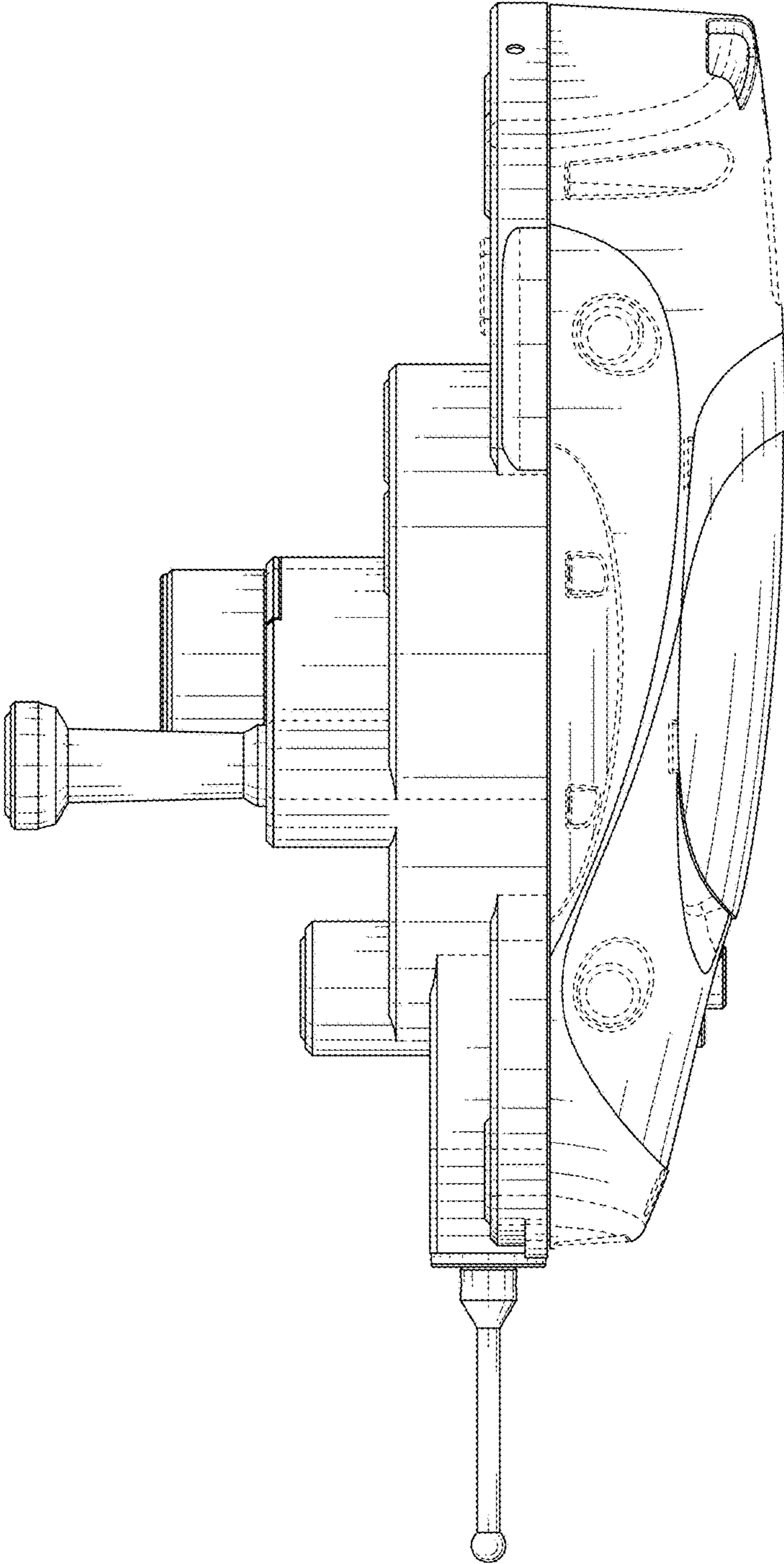


FIG. 5

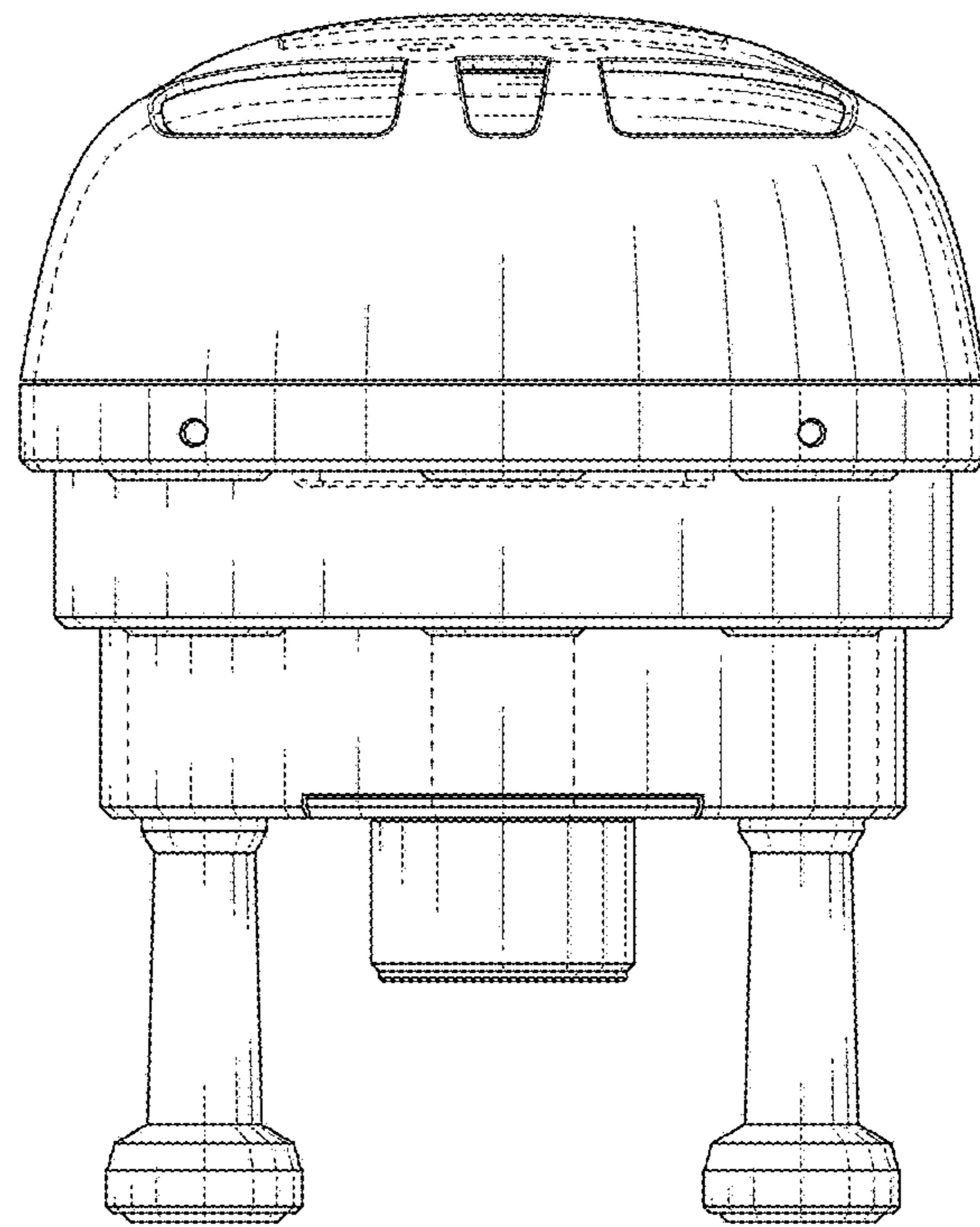


FIG. 6

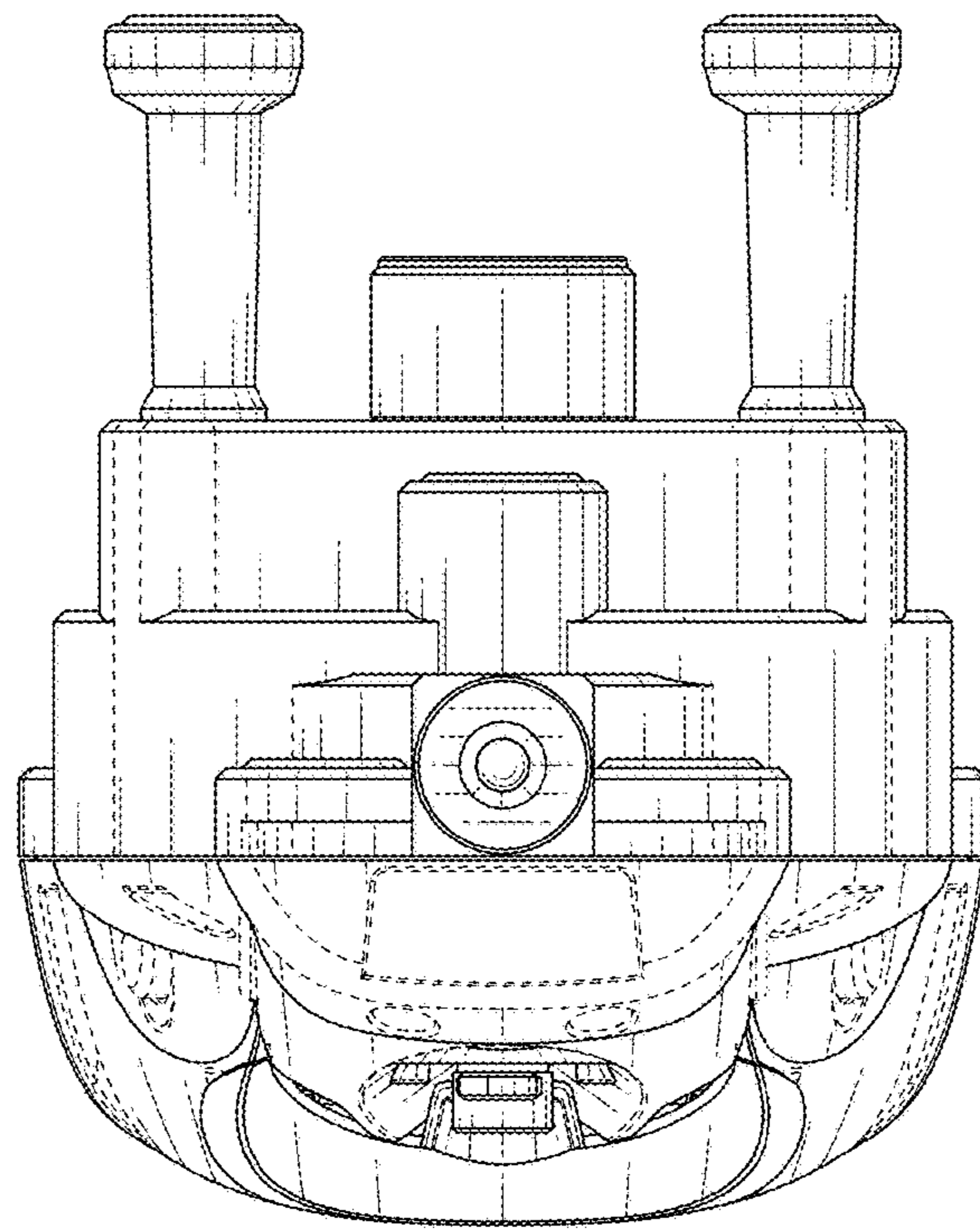


FIG. 7

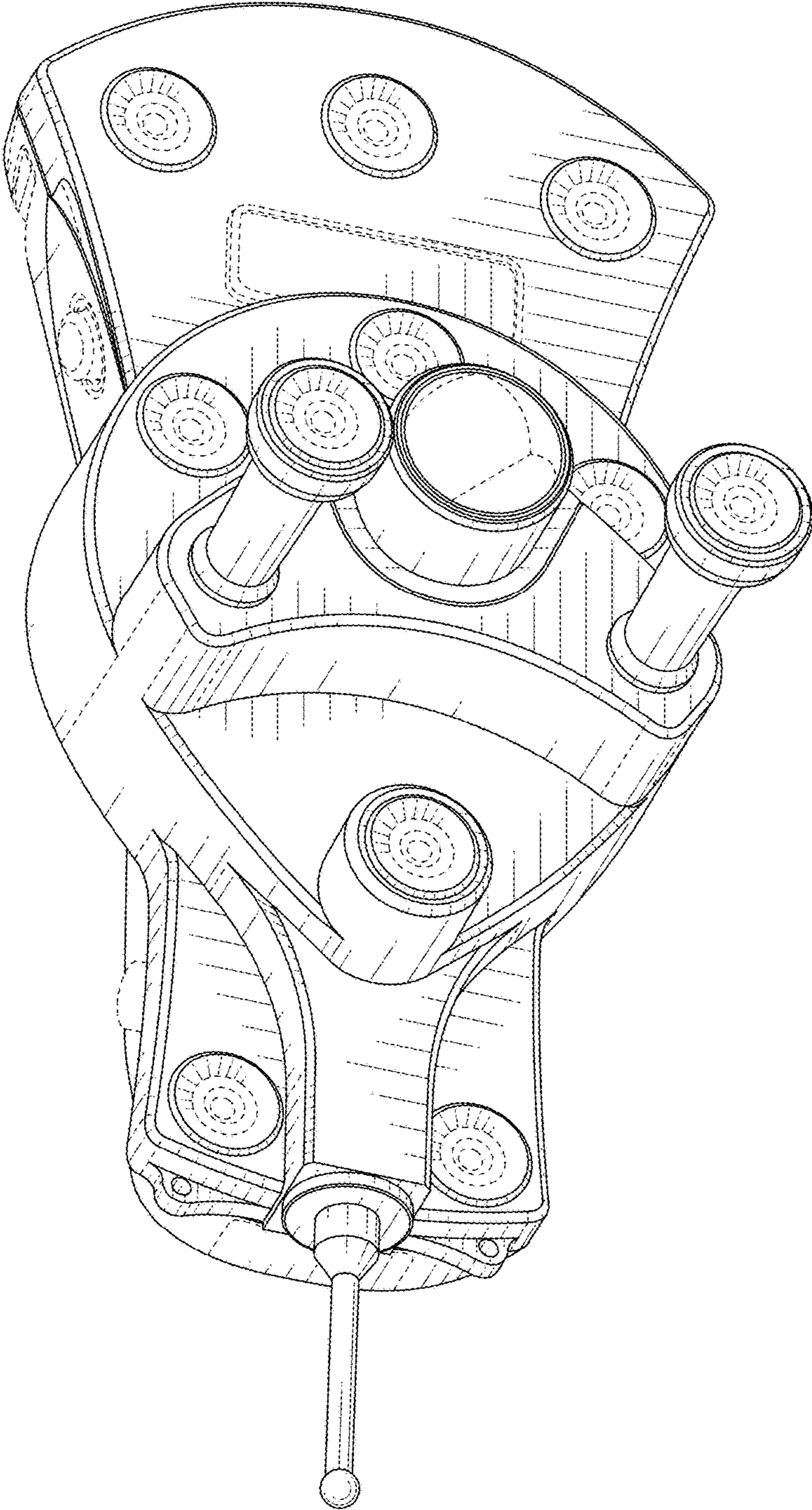


FIG. 8

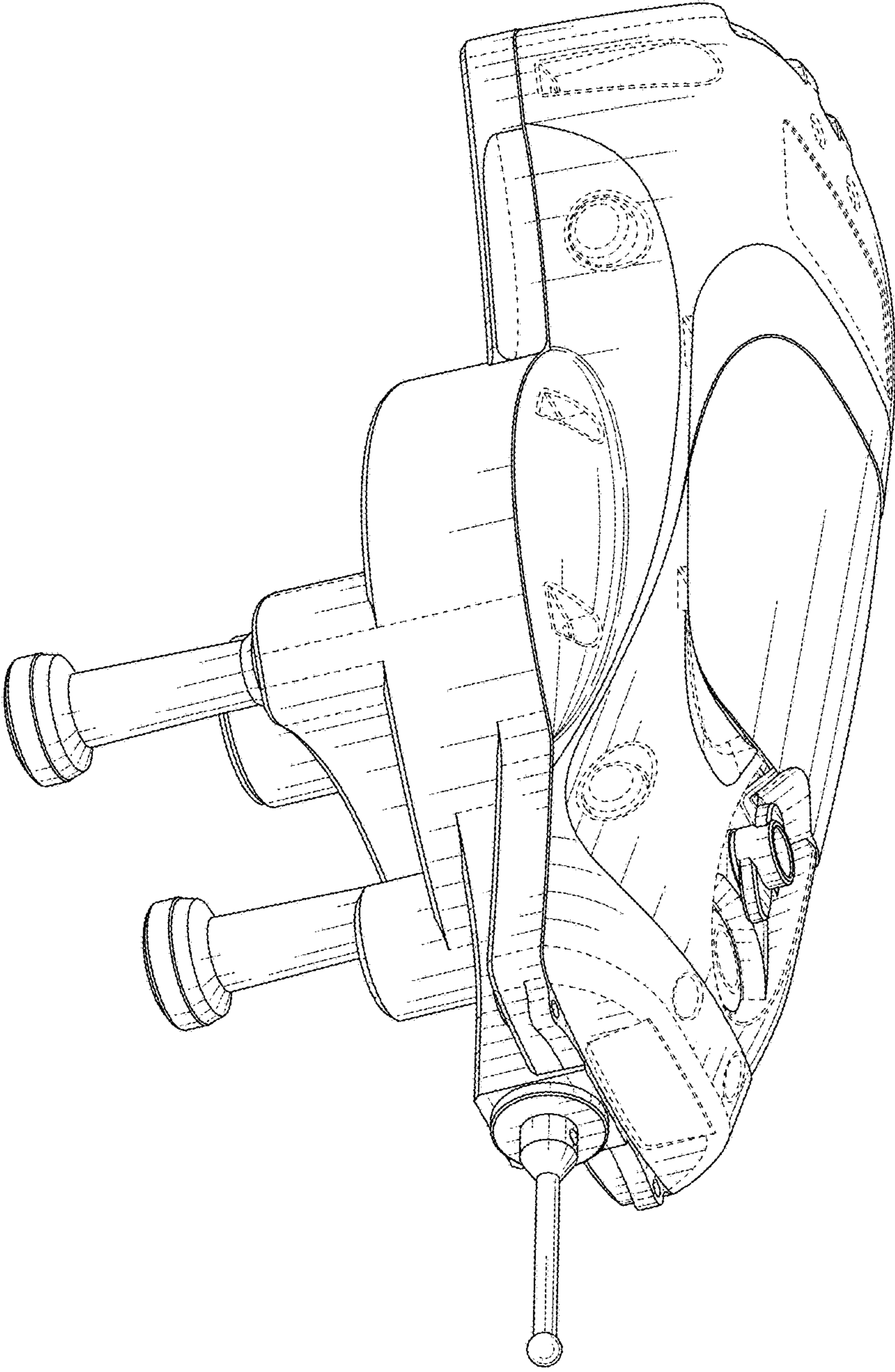


FIG. 9