



US00D866363S

(12) **United States Design Patent** (10) **Patent No.:** **US D866,363 S**
Mackey (45) **Date of Patent:** **** Nov. 12, 2019**

- (54) **COMBO SQUARE**
- (71) Applicant: **Milwaukee Electric Tool Corporation**,
Brookfield, WI (US)
- (72) Inventor: **Eric Mackey**, Milwaukee, WI (US)
- (73) Assignee: **Milwaukee Electric Tool Corporation**,
Brookfield, WI (US)
- (**) Term: **15 Years**
- (21) Appl. No.: **29/645,745**
- (22) Filed: **Apr. 28, 2018**
- (51) **LOC (12) Cl.** **10-04**
- (52) **U.S. Cl.**
USPC **D10/65**
- (58) **Field of Classification Search**
USPC D10/65, 71
CPC B43L 7/027; B43L 7/0275; B43L 7/033
See application file for complete search history.

D741,731 S * 10/2015 Lamanna G01B 3/566
D10/64

9,310,175 B2 4/2016 Cook
2007/0220764 A1 9/2007 Wolken
2012/0266471 A1 10/2012 Chao
2012/0311880 A1 12/2012 Doggett
2014/0373373 A1 12/2014 Hershkovich

FOREIGN PATENT DOCUMENTS

CN 2663089 12/2004
WO WO07111870 10/2007

* cited by examiner

Primary Examiner — Antoine Duval Davis

(74) *Attorney, Agent, or Firm* — Reinhart Boerner Van Deuren s.c.

(57) **CLAIM**

I claim the ornamental design for a combo square, as shown and described.

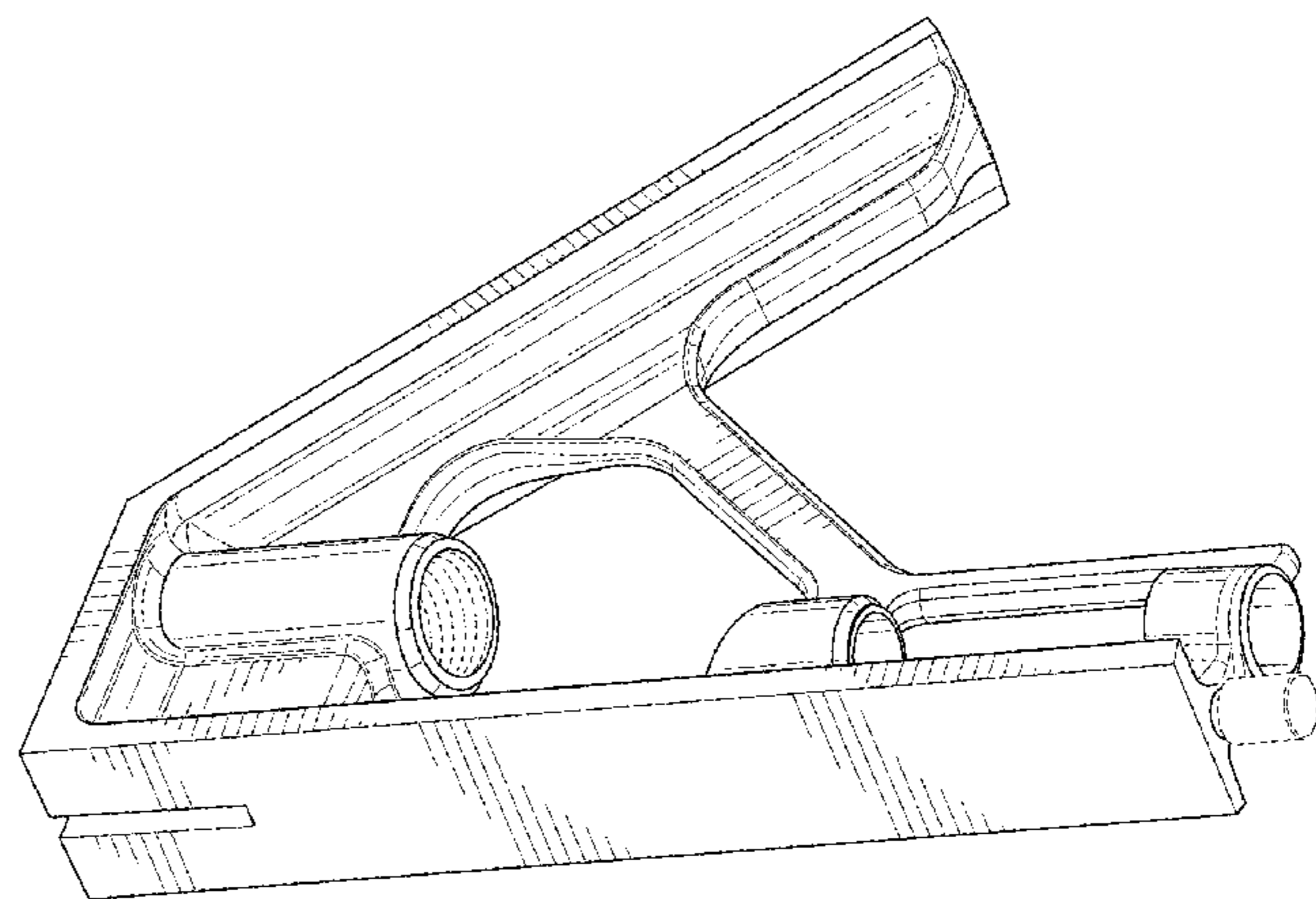
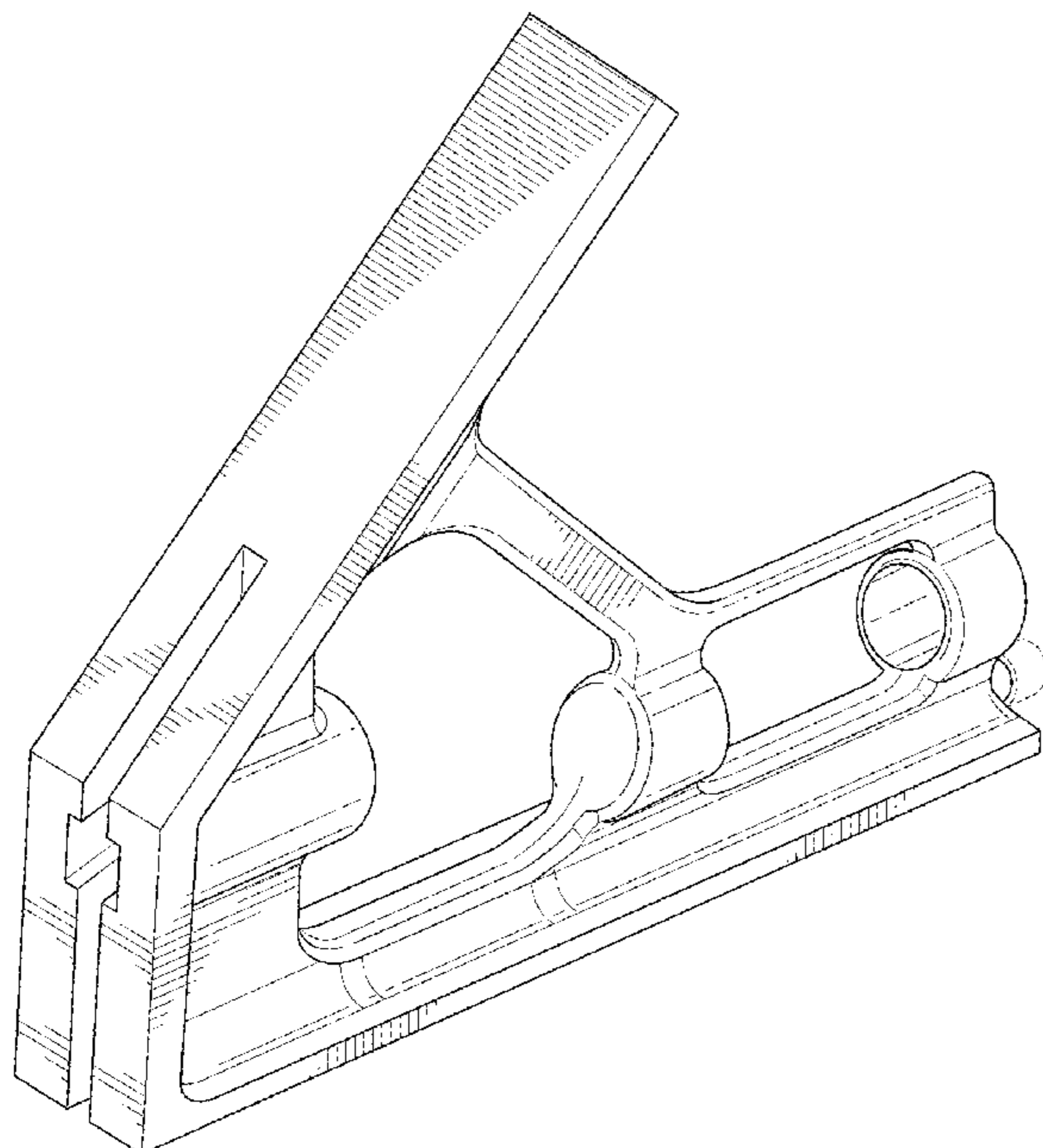
DESCRIPTION

FIG. 1 is a perspective view from above of an embodiment of the claimed design;
 FIG. 2 is a perspective view from below of the claimed design of FIG. 1;
 FIG. 3 is a rear view of the claimed design of FIG. 1;
 FIG. 4 is a front view of the claimed design of FIG. 1;
 FIG. 5 is a right side view of the claimed design of FIG. 1;
 FIG. 6 is a left side view of the claimed design of FIG. 1;
 FIG. 7 is a top view of the claimed design of FIG. 1; and,
 FIG. 8 is a bottom view of the claimed design of FIG. 1.
 The ornamental design which is claimed is shown in solid lines in the drawings. The broken lines in the drawings are for illustrative purposes only and form no part of the claimed design.

1 Claim, 6 Drawing Sheets

(56) **References Cited**
U.S. PATENT DOCUMENTS

1,882,354 A	10/1932	Celenza	
3,137,072 A	6/1964	Henson	
5,421,093 A	6/1995	Davidson, Jr.	
5,535,523 A	7/1996	Endris	
5,778,547 A	7/1998	Wolken	
6,662,460 B2	12/2003	Evans	
6,820,345 B2	11/2004	Evans	
7,337,550 B2	3/2008	Marcus	
7,591,076 B2	9/2009	Varnedoe	
7,596,877 B2 *	10/2009	Basford	G01B 3/566 33/404
D640,944 S *	7/2011	Elias	D10/65
8,763,265 B2	7/2014	Herniman et al.	



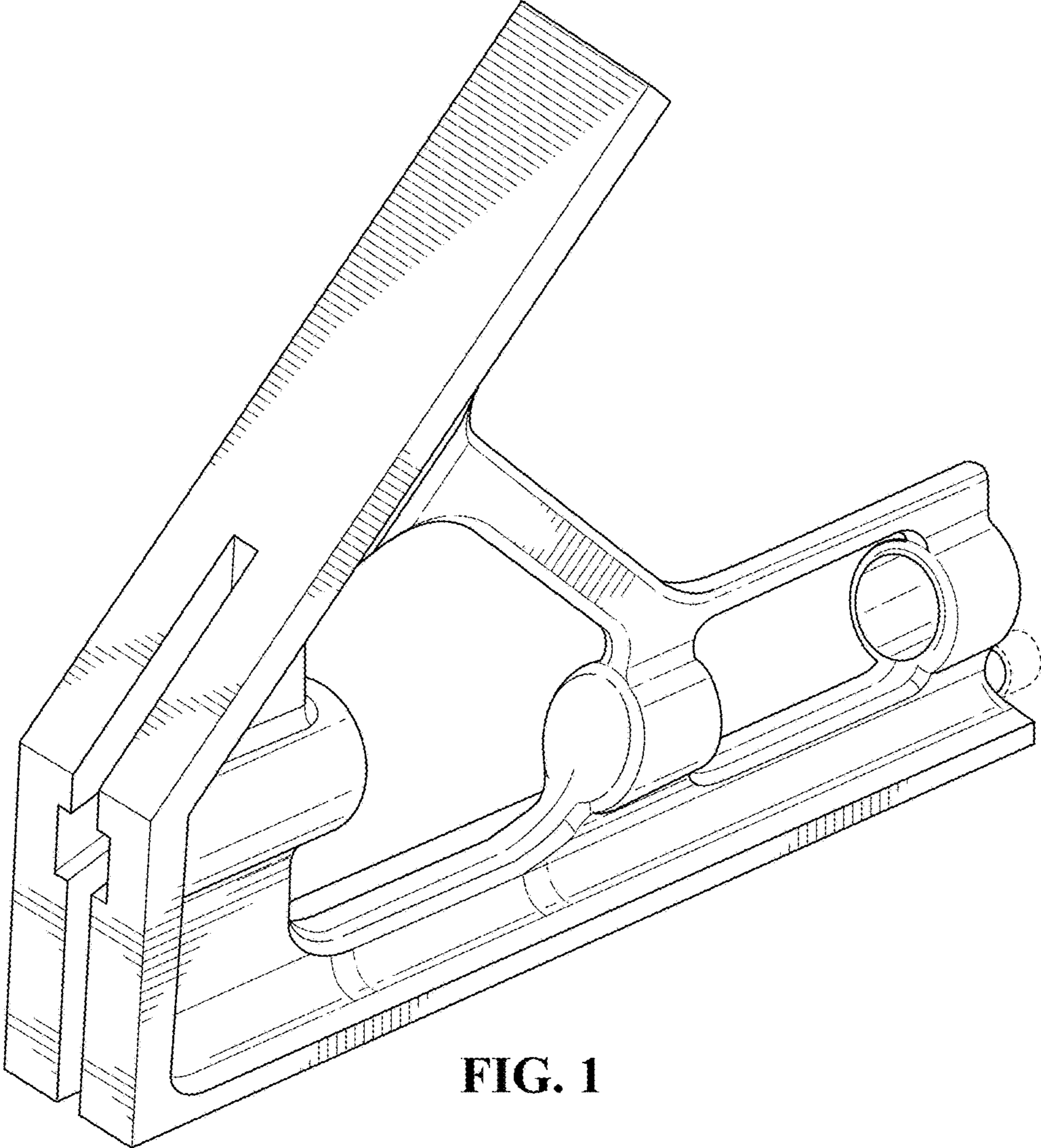


FIG. 1

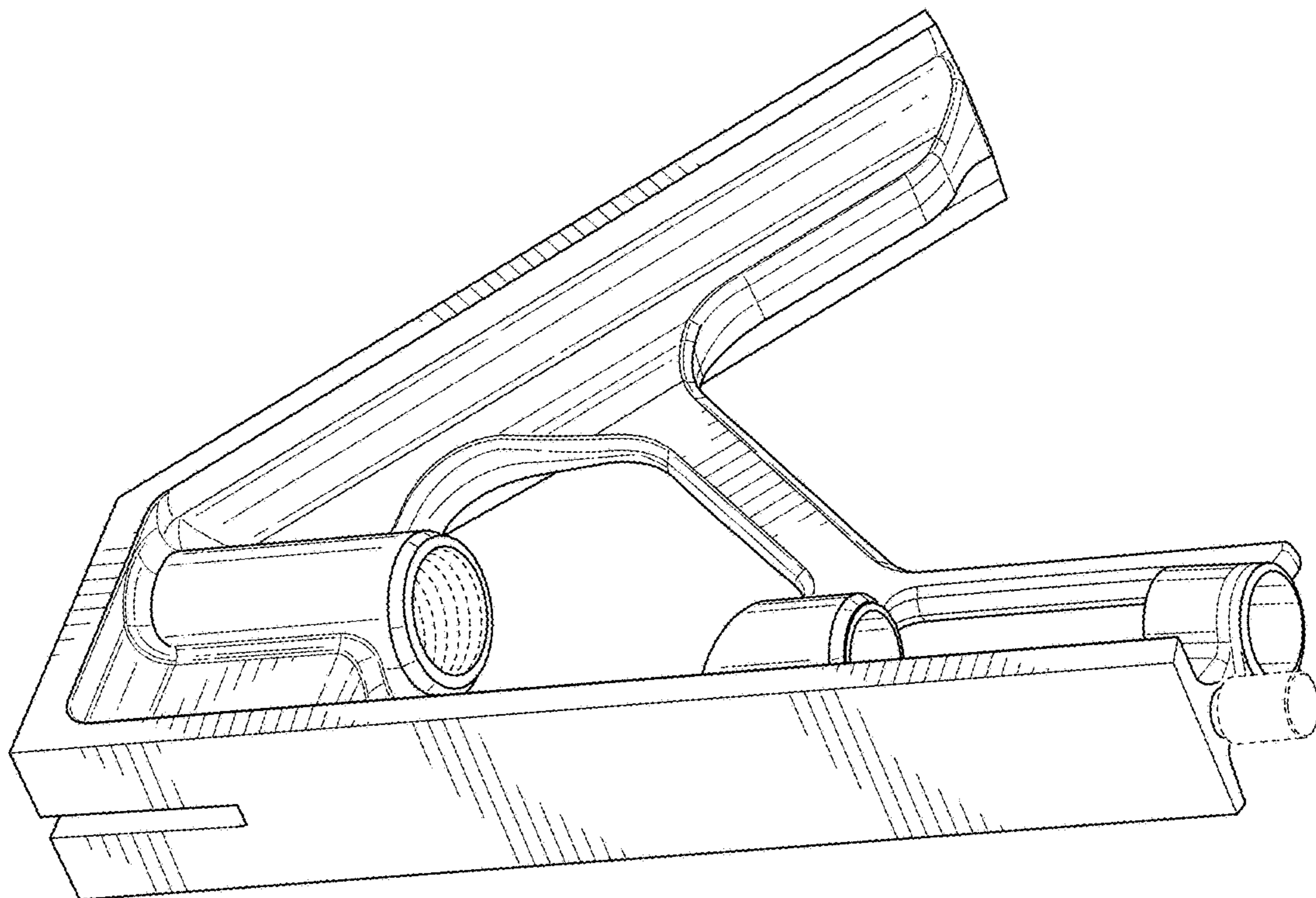


FIG. 2

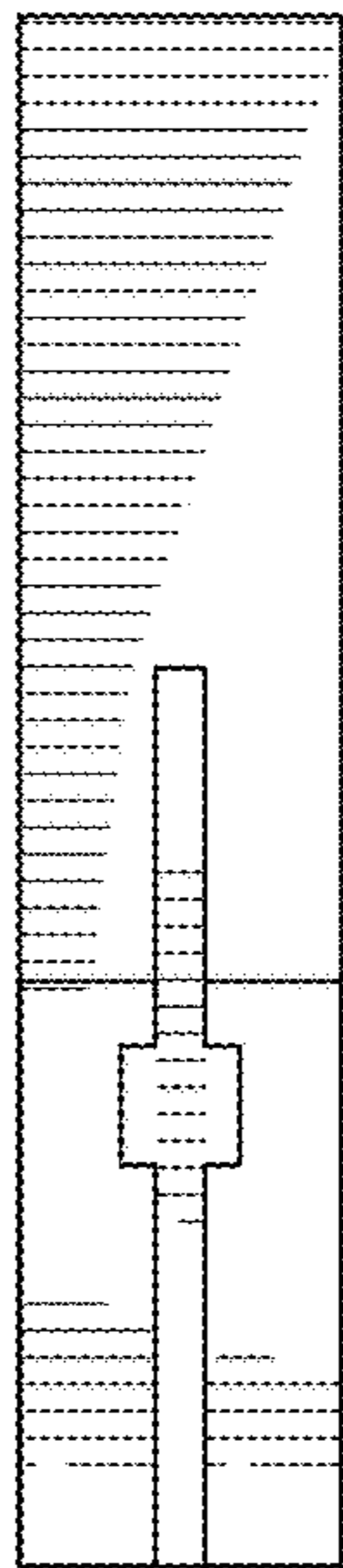


FIG. 3

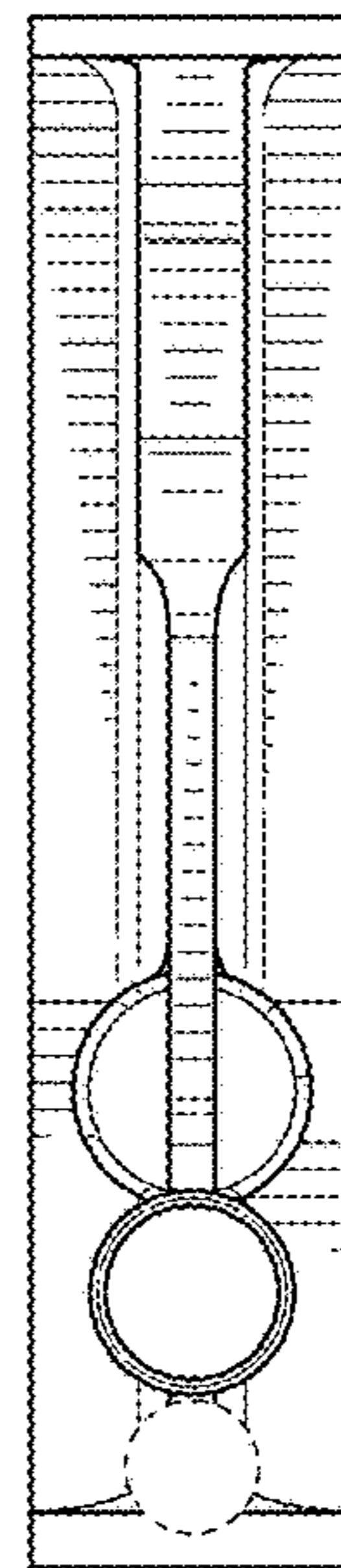


FIG. 4

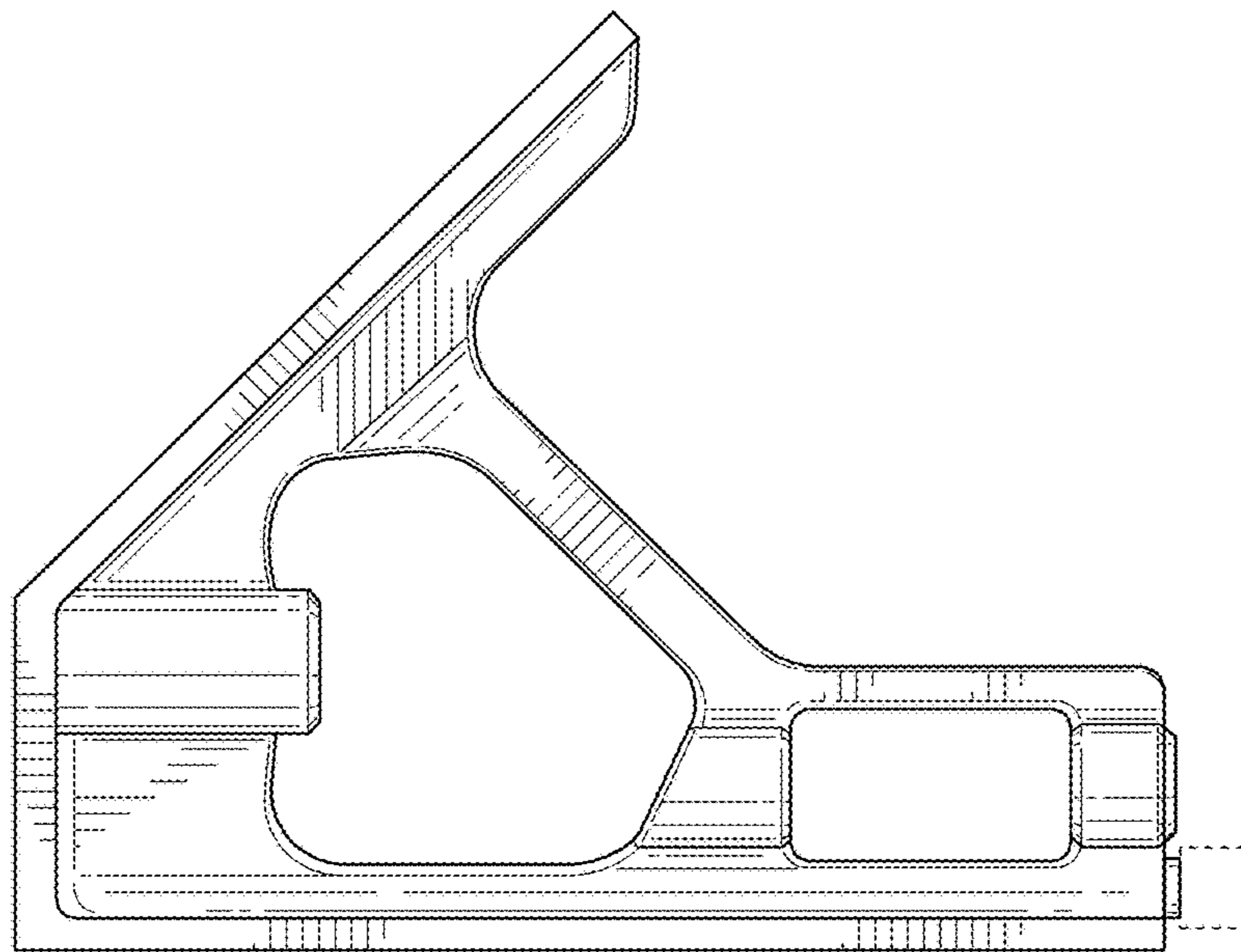


FIG. 5

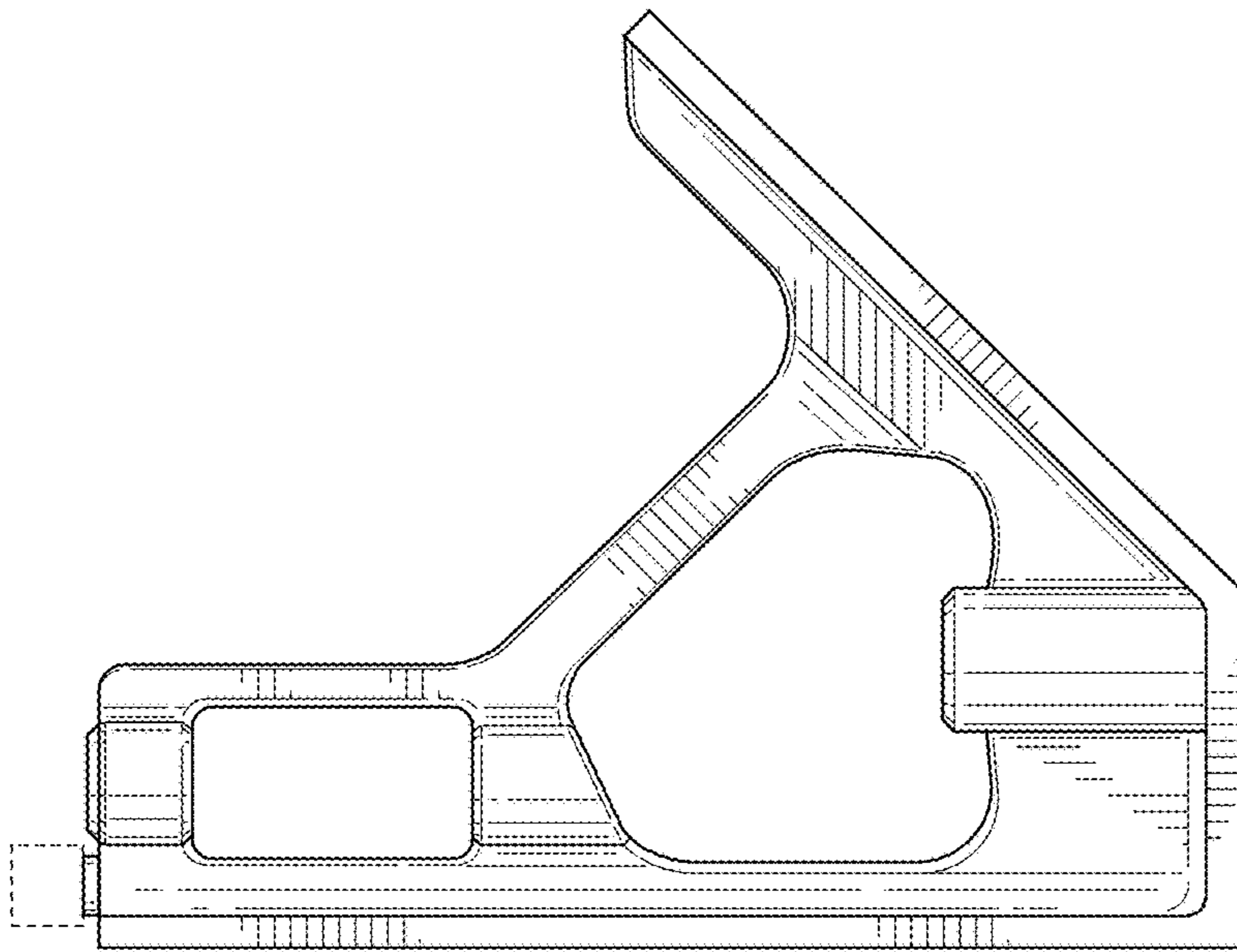


FIG. 6

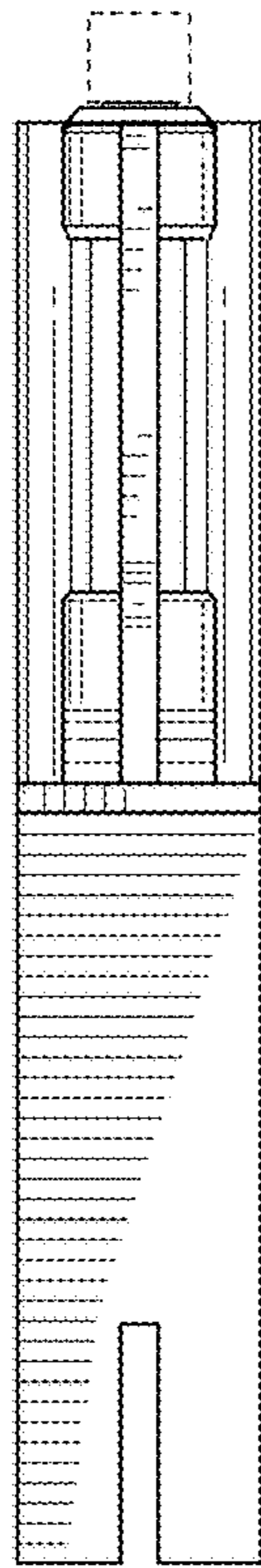


FIG. 7

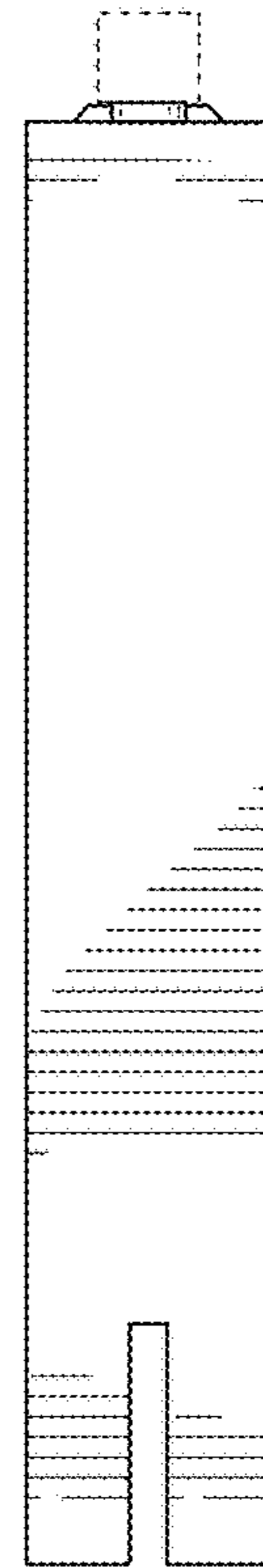


FIG. 8