



US00D866362S

(12) **United States Design Patent** (10) **Patent No.:** **US D866,362 S**
Mackey et al. (45) **Date of Patent:** **** Nov. 12, 2019**

(54) **FRAMING SQUARE**
(71) Applicant: **Milwaukee Electric Tool Corporation**,
Brookfield, WI (US)
(72) Inventors: **Eric Mackey**, Milwaukee, WI (US);
David W. Draeger, Milwaukee, WI
(US); **Kenan W. McCutcheon**,
Waukesha, WI (US)

6,868,616 B2 3/2005 Allemand
D511,698 S 11/2005 Allemand
7,337,550 B2 3/2008 Marcus
7,398,601 B2 7/2008 Morrell
7,591,076 B2 9/2009 Varnedoe
7,596,877 B2* 10/2009 Basford G01B 3/566
33/404
D640,944 S * 7/2011 Elias D10/65
8,074,368 B2 12/2011 Atwood
(Continued)

(73) Assignee: **Milwaukee Electric Tool Corporation**,
Brookfield, WI (US)

FOREIGN PATENT DOCUMENTS

(**) Term: **15 Years**

CN 2663089 12/2004
CN 100369759 2/2008

(21) Appl. No.: **29/645,697**

Primary Examiner — Antoine Duval Davis
(74) *Attorney, Agent, or Firm* — Reinhart Boerner Van
Deuren s.c.

(22) Filed: **Apr. 27, 2018**

(51) **LOC (12) Cl.** **10-04**

(52) **U.S. Cl.**
USPC **D10/65; D10/71**

(58) **Field of Classification Search**
USPC D10/65, 71
CPC B43L 7/027; B43L 7/0275; B43L 7/033
See application file for complete search history.

(57) **CLAIM**

We claim the ornamental design for a framing square, as shown and described.

(56) **References Cited**

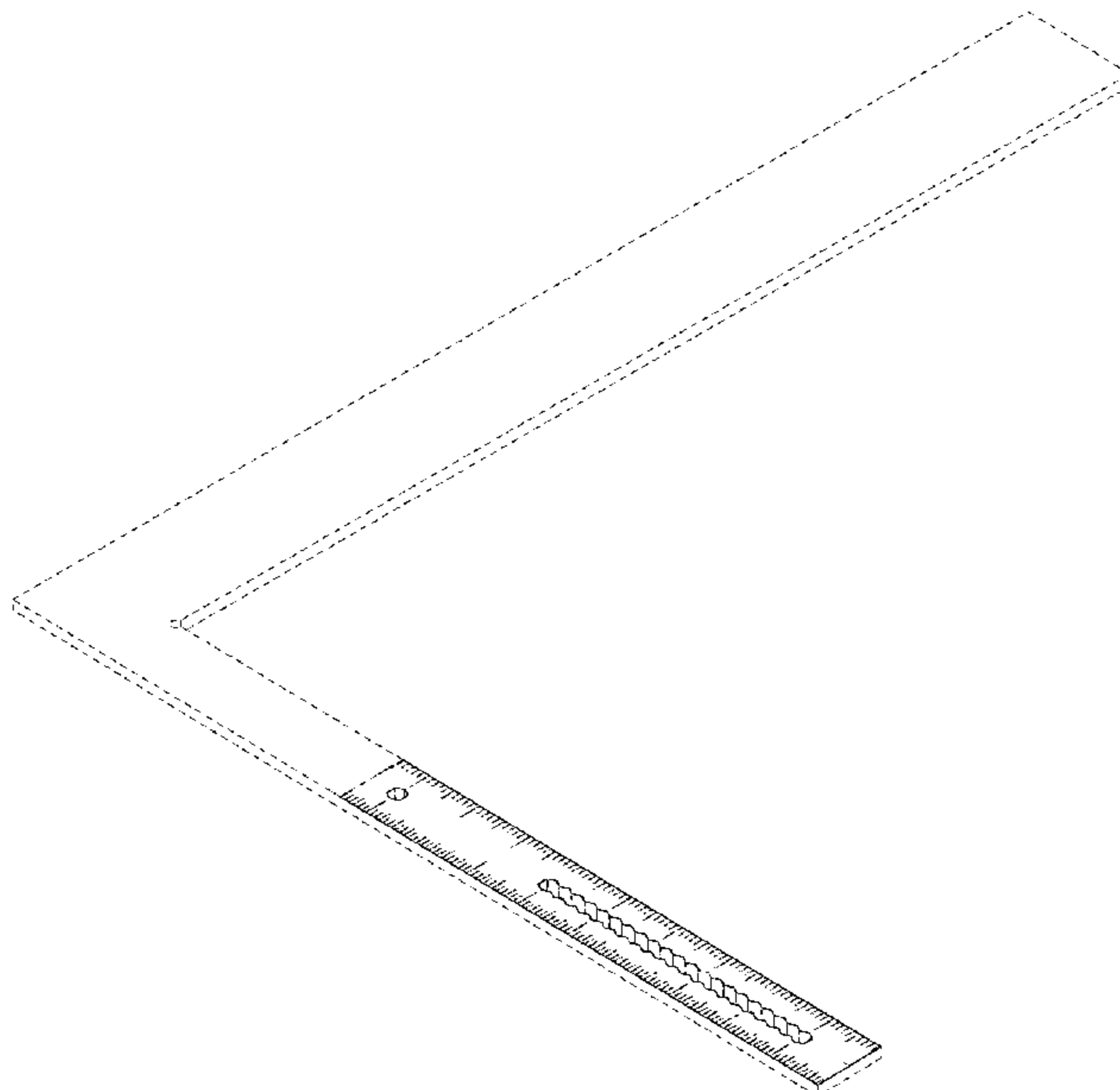
DESCRIPTION

U.S. PATENT DOCUMENTS

1,882,354	A	10/1932	Domenico Celenza
3,137,072	A	6/1964	Henson
3,142,906	A	8/1964	Mitsos
4,513,510	A	4/1985	Swanson
5,421,093	A	6/1995	Davidson, Jr.
5,535,523	A	7/1996	Endris
5,727,325	A	3/1998	Mussell
5,778,547	A	7/1998	Volken
6,662,460	B2	12/2003	Evans
6,688,014	B1	2/2004	Allemand
6,792,687	B2	9/2004	Arent et al.
6,820,345	B2	11/2004	Evans

FIG. 1 is a perspective view from above of another embodiment of the claimed design;
FIG. 2 is a top view of the claimed design of FIG. 1;
FIG. 3 is a bottom view of the claimed design of FIG. 1;
FIG. 4 is a left side view of the claimed design of FIG. 1;
FIG. 5 is a right side view of the claimed design of FIG. 1;
FIG. 6 is a rear view of the claimed design of FIG. 1; and,
FIG. 7 is a front view of the claimed design of FIG. 1.
The ornamental design which is claimed is shown in solid lines in the drawings The broken dot-dash lines define boundaries of the claimed design and form no part thereof. The other broken lines in the drawings are for illustrative purposes only and form no part of the claimed design.

1 Claim, 5 Drawing Sheets



(56)

References Cited

U.S. PATENT DOCUMENTS

8,763,265	B2	7/2014	Herniman et al.	
D741,731	S *	10/2015	Lamanna	G01B 3/566 D10/64
9,180,725	B2	11/2015	Lin	
9,310,175	B2	4/2016	Cook	
2007/0220764	A1	9/2007	Wolken	
2012/0266471	A1	10/2012	Chao	
2012/0311880	A1	12/2012	Doggett	
2013/0227846	A1	9/2013	Buzzell	
2014/0373373	A1	12/2014	Hershkovich	
2016/0271789	A1	9/2016	Foster	

FOREIGN PATENT DOCUMENTS

CN	206106749	4/2017
WO	WO07111870	10/2007

* cited by examiner

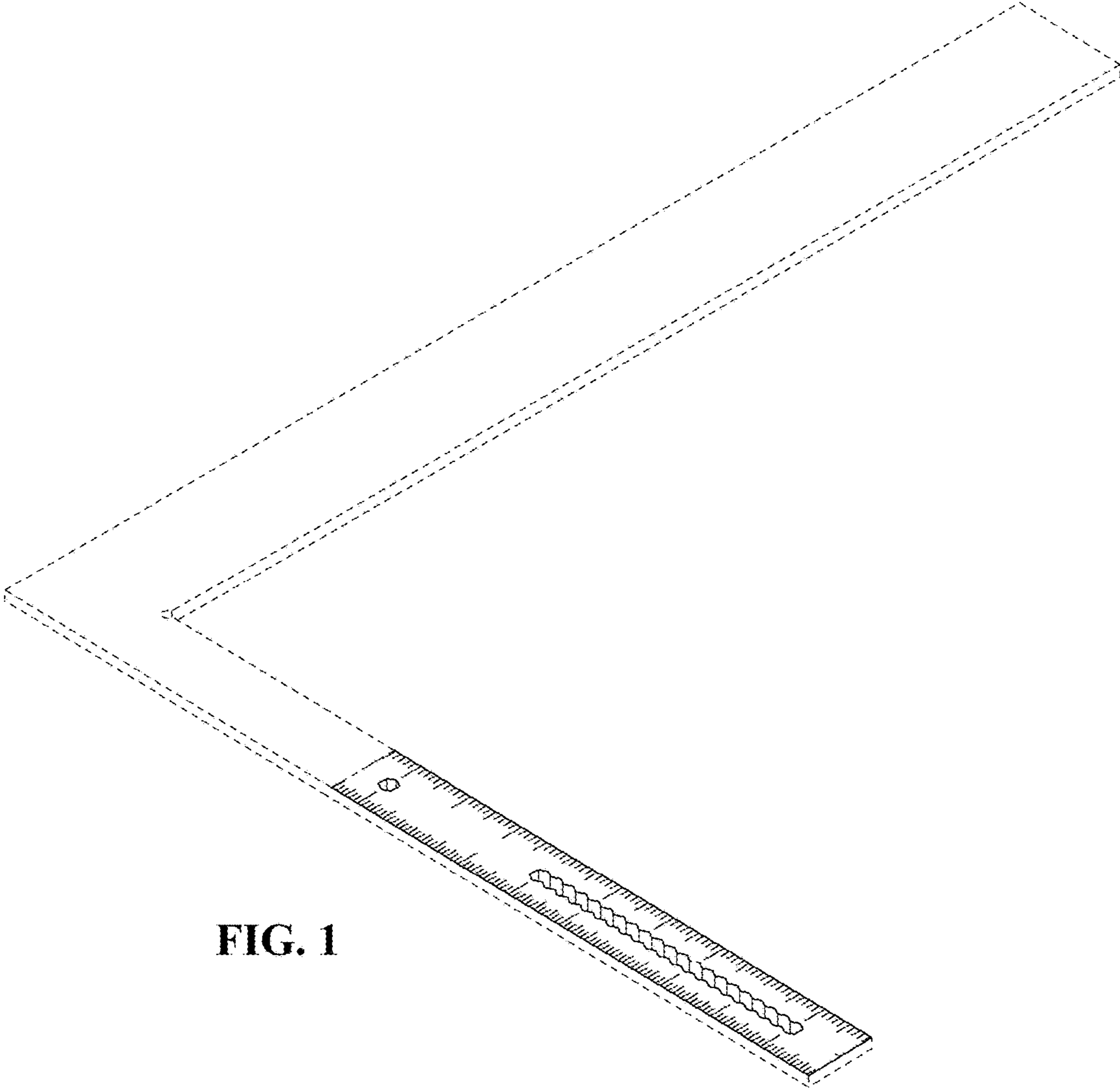


FIG. 1

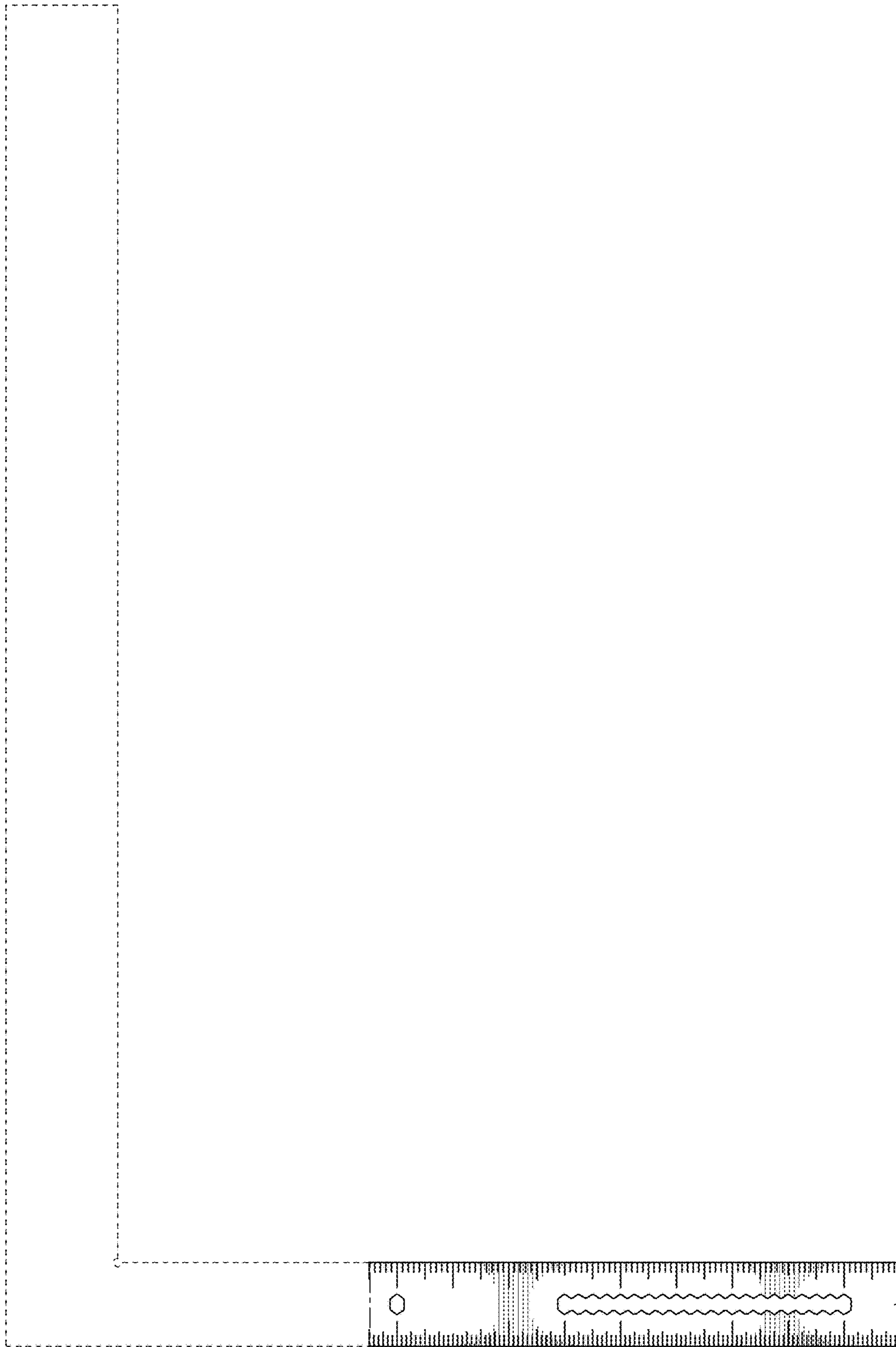


FIG. 2

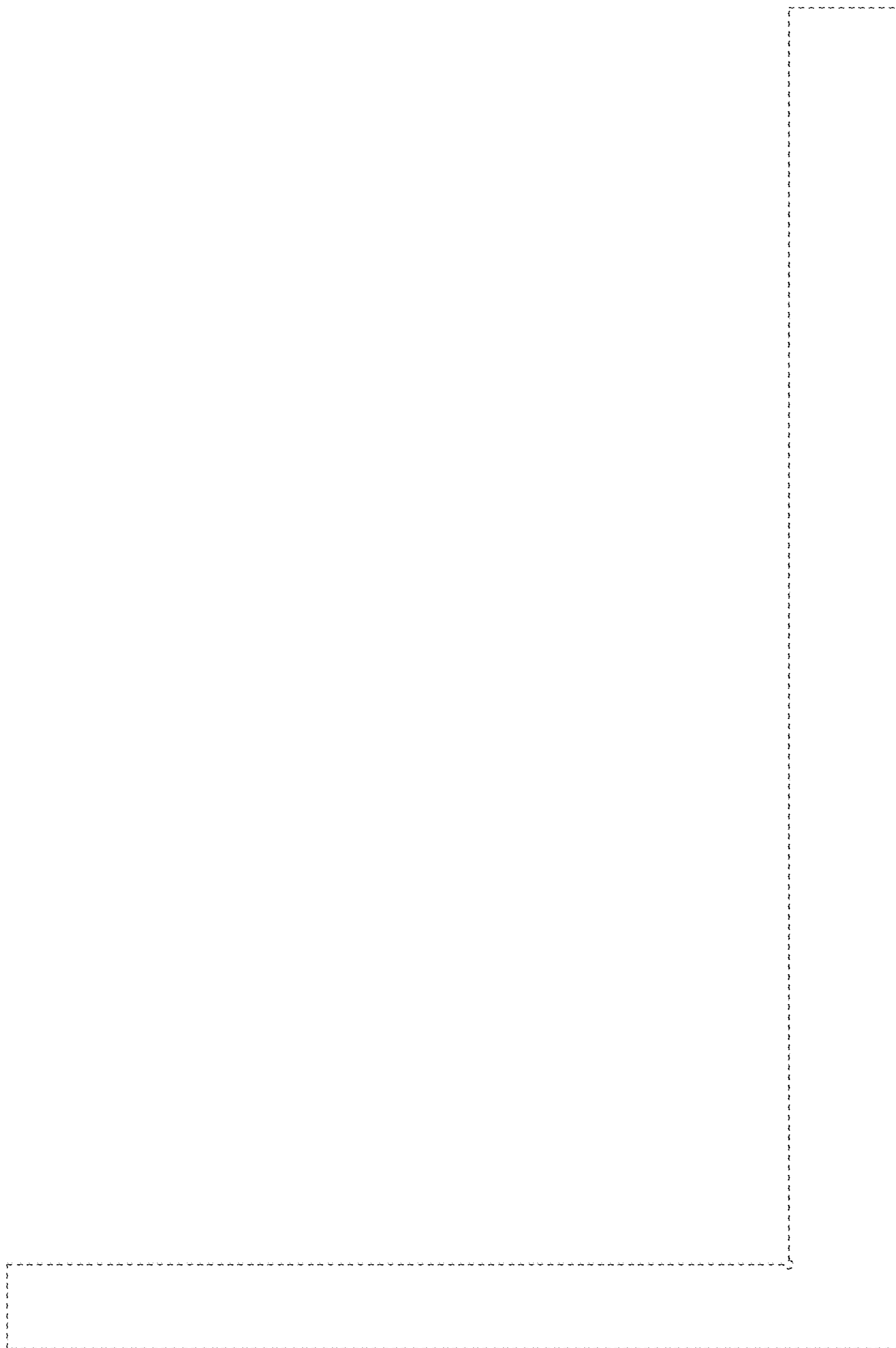


FIG. 3

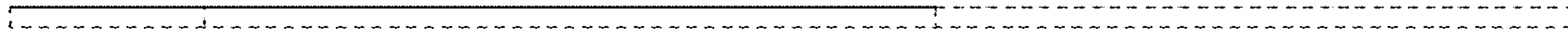


FIG. 4

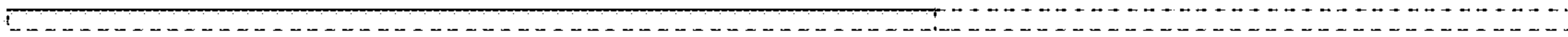


FIG. 5

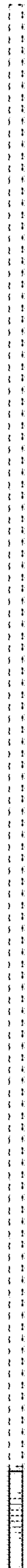


FIG. 6

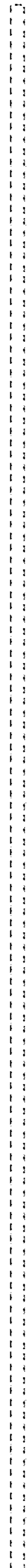


FIG. 7