

US00D866357S

(12) **United States Design Patent**
Verburg et al.

(10) **Patent No.: US D866,357 S**

(45) **Date of Patent: ** Nov. 12, 2019**

(54) **TEMPERATURE SENSOR**

(71) Applicant: **30MHz B.V.**, Amsterdam (NL)

(72) Inventors: **Joep Verburg**, Amsterdam (NL);
Jasper Geurtsen, Amsterdam (NL)

(73) Assignee: **30MHz B.V.**, Amsterdam (NL)

(**) Term: **15 Years**

(21) Appl. No.: **29/639,095**

(22) Filed: **Mar. 4, 2018**

(30) **Foreign Application Priority Data**

Sep. 5, 2017 (EM) 004241966

(51) **LOC (12) Cl.** **10-04**

(52) **U.S. Cl.**
USPC **D10/53**

(58) **Field of Classification Search**

USPC D10/51-56, 57

CPC G01D 1/245; G01B 5/30; G01M 5/0075;

G01N 29/045; G01N 29/12; G01N

29/2475; G01N 29/2481; G01J 1/429;

A61B 5/04; A61B 5/0059; A61N 5/0614;

A63B 24/0084; A63B 24/0062; A63B

24/0075; A63B 69/0028; A63B 71/0622;

A63B 71/0686; A63F 13/00; A63F 13/06;

G01K 1/00; G01K 1/02; G01K 1/022;

G01K 1/024; G01K 1/026; G01K

2201/02; G01K 2207/00; G01K 2207/02;

G01K 2207/04; G01K 2207/06; G01K

2207/08

See application file for complete search history.

(56) **References Cited**

U.S. PATENT DOCUMENTS

4,741,627 A * 5/1988 Fukui G01K 13/002
374/183

D393,215 S * 4/1998 Piraino, III D10/52

D393,600 S * 4/1998 Keller D10/52

D460,923 S * 7/2002 Chen D10/52

* cited by examiner

Primary Examiner — Antoine Duval Davis

(57) **CLAIM**

The ornamental design for a temperature sensor, as shown and described.

DESCRIPTION

FIG. 1 is a perspective view of a temperature sensor, showing our new design;

FIG. 2 is a front view thereof;

FIG. 3 is a rear view thereof;

FIG. 4 is a left side view thereof;

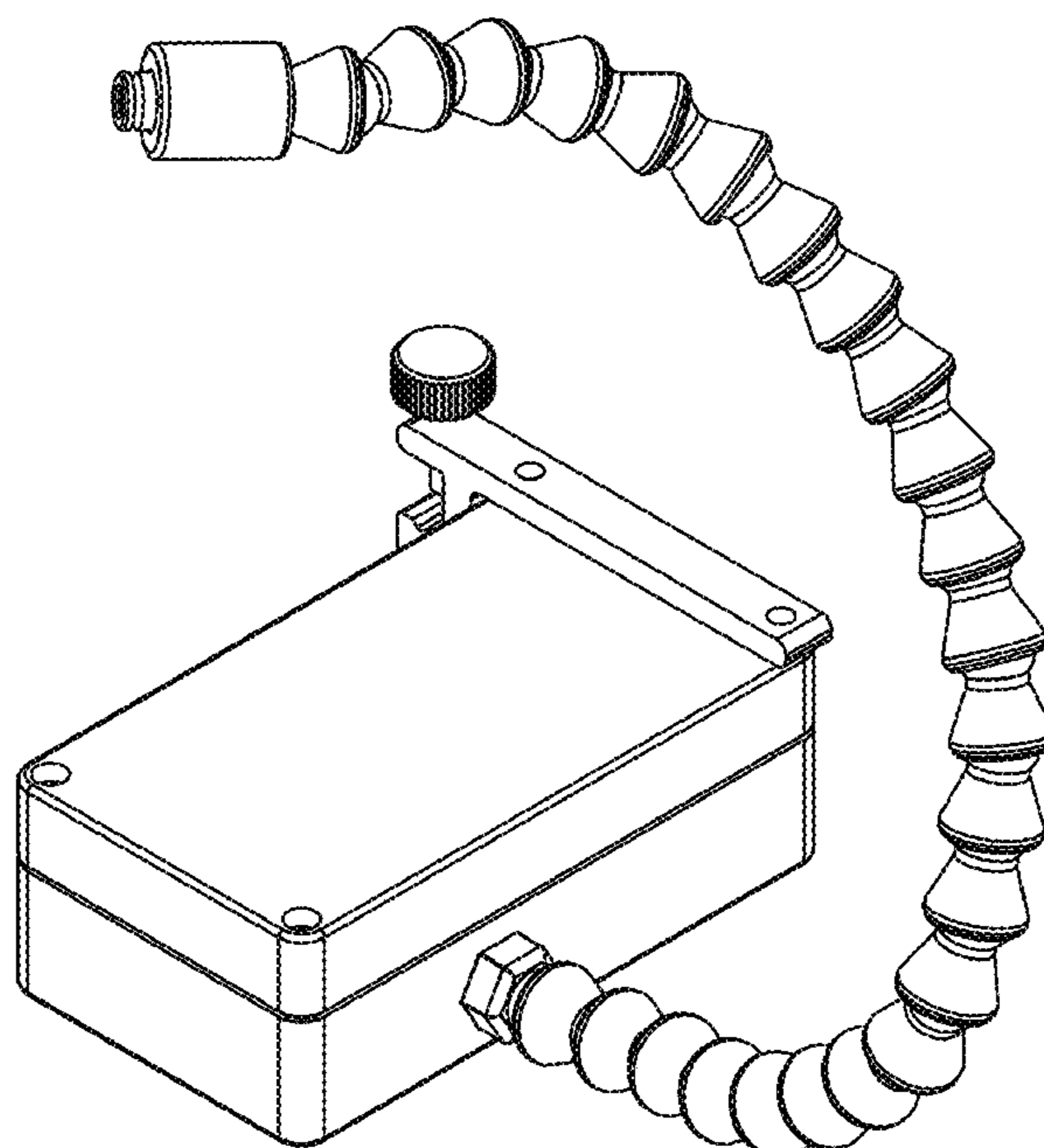
FIG. 5 is a right side view thereof;

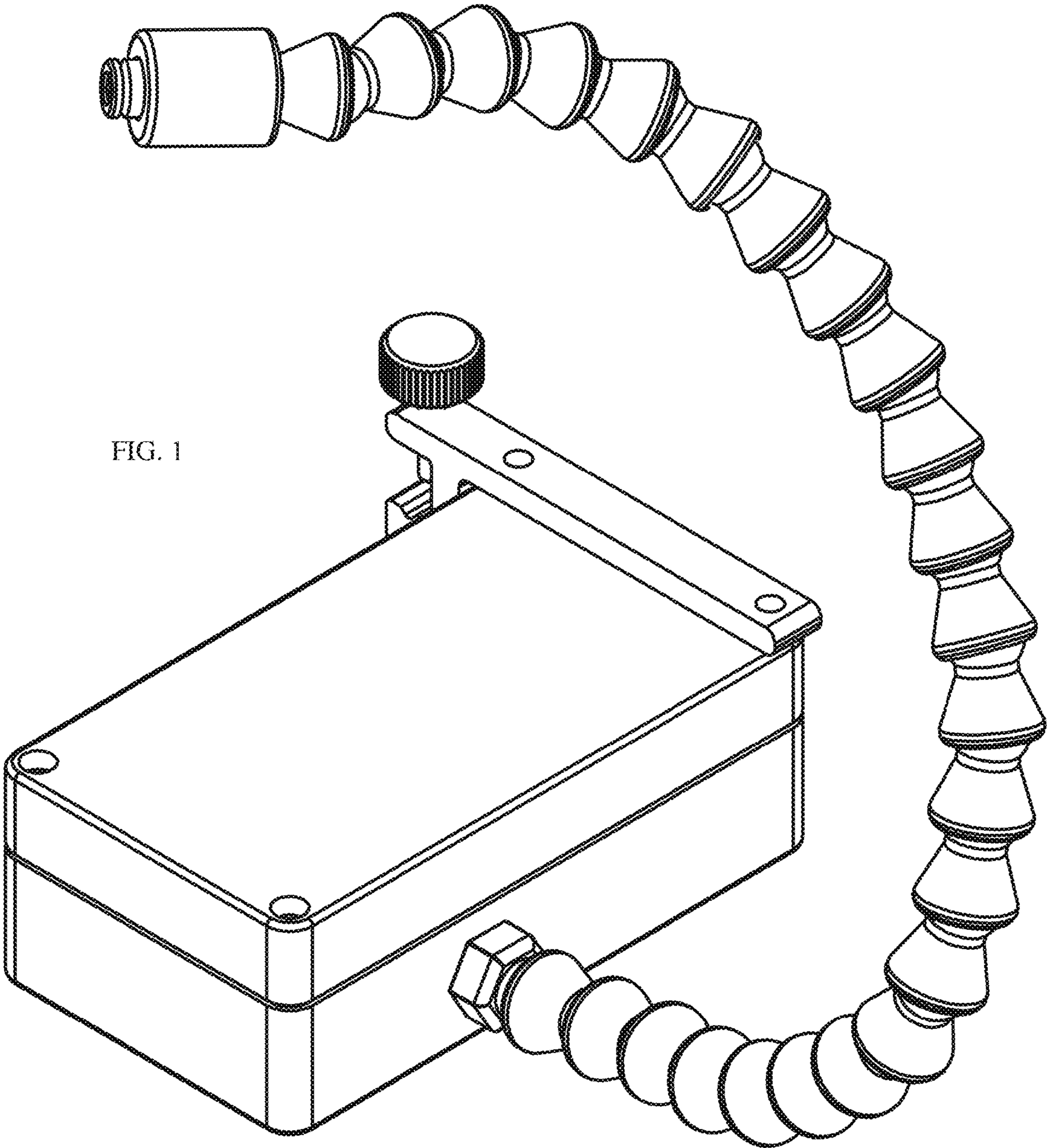
FIG. 6 is a top view thereof; and,

FIG. 7 is a bottom view thereof.

Dashed lines in the drawings denote features of the article that are included for the purpose of illustrating context, but form no part of the claimed design. However, embodiments are contemplated in which one or more of the ornamental features shown in broken lines are claimed.

1 Claim, 7 Drawing Sheets





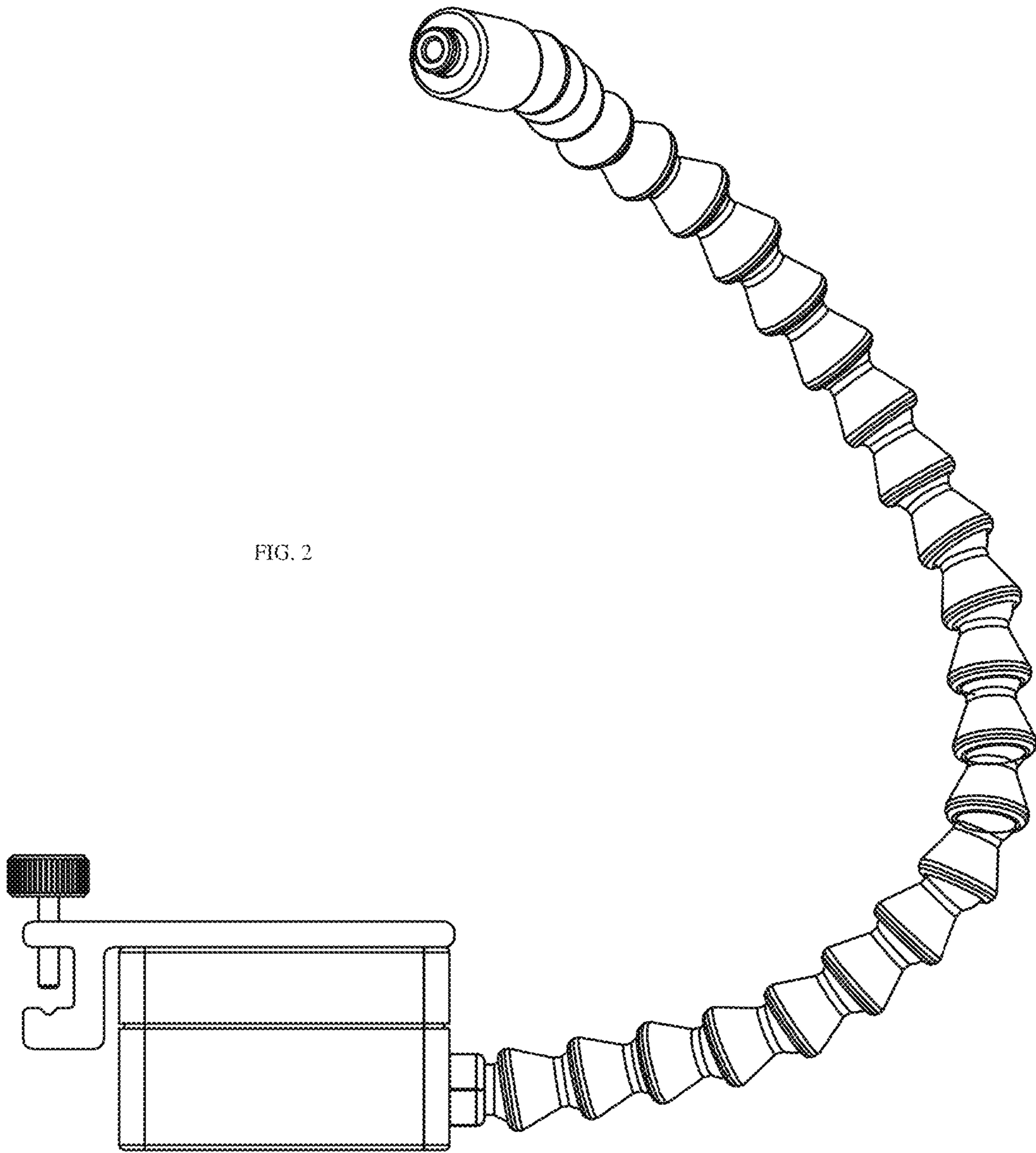


FIG. 2

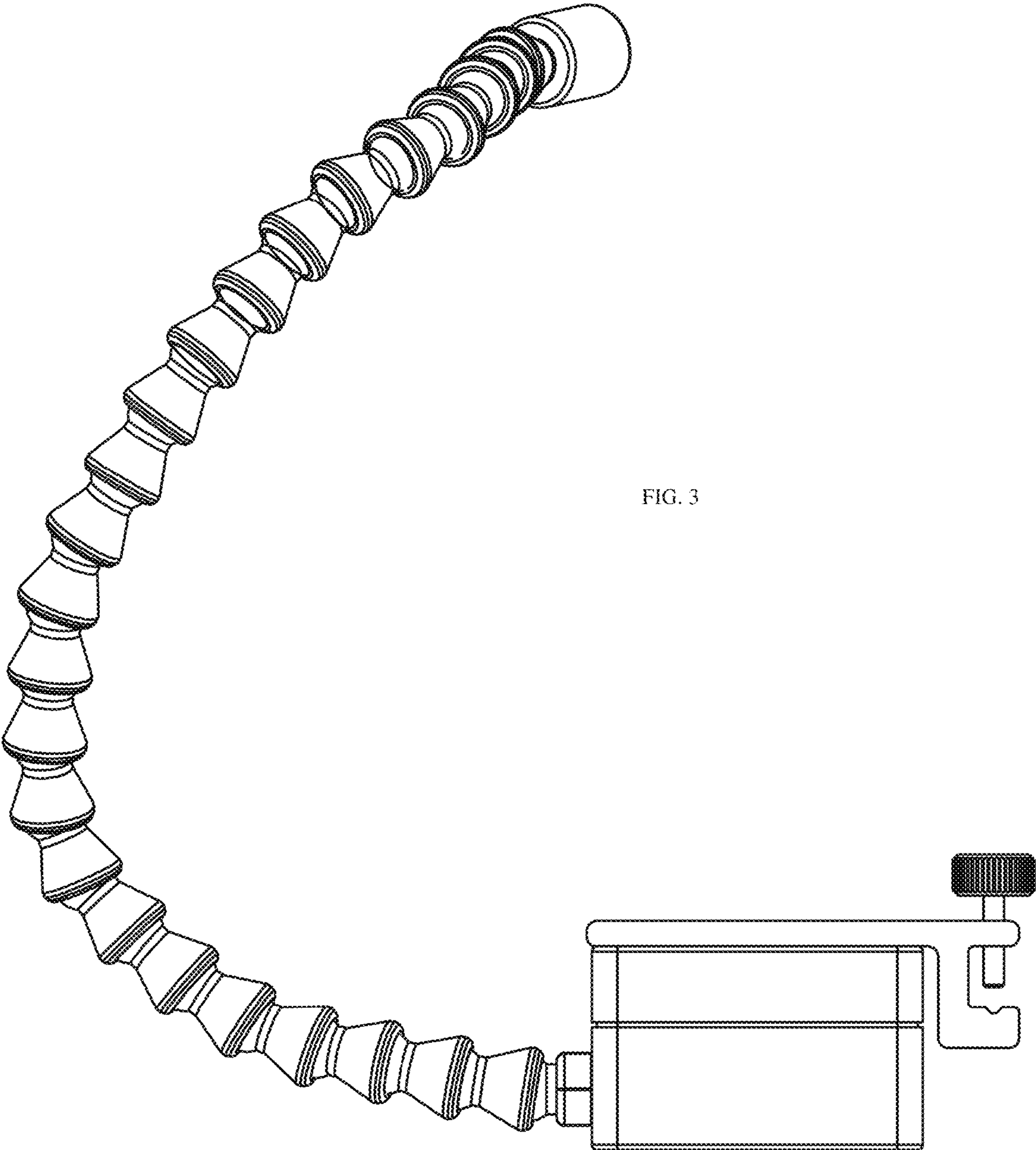


FIG. 3

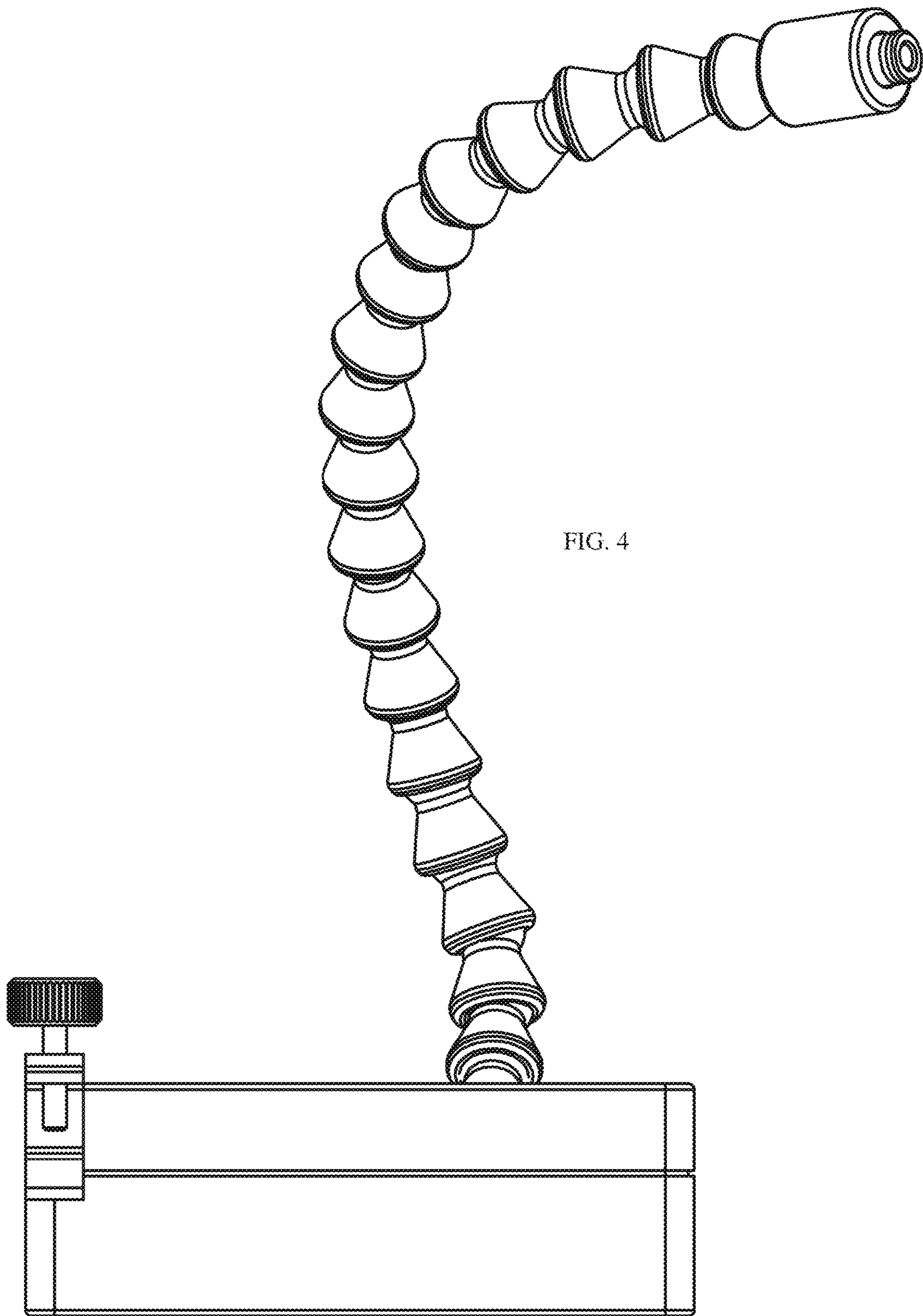


FIG. 4

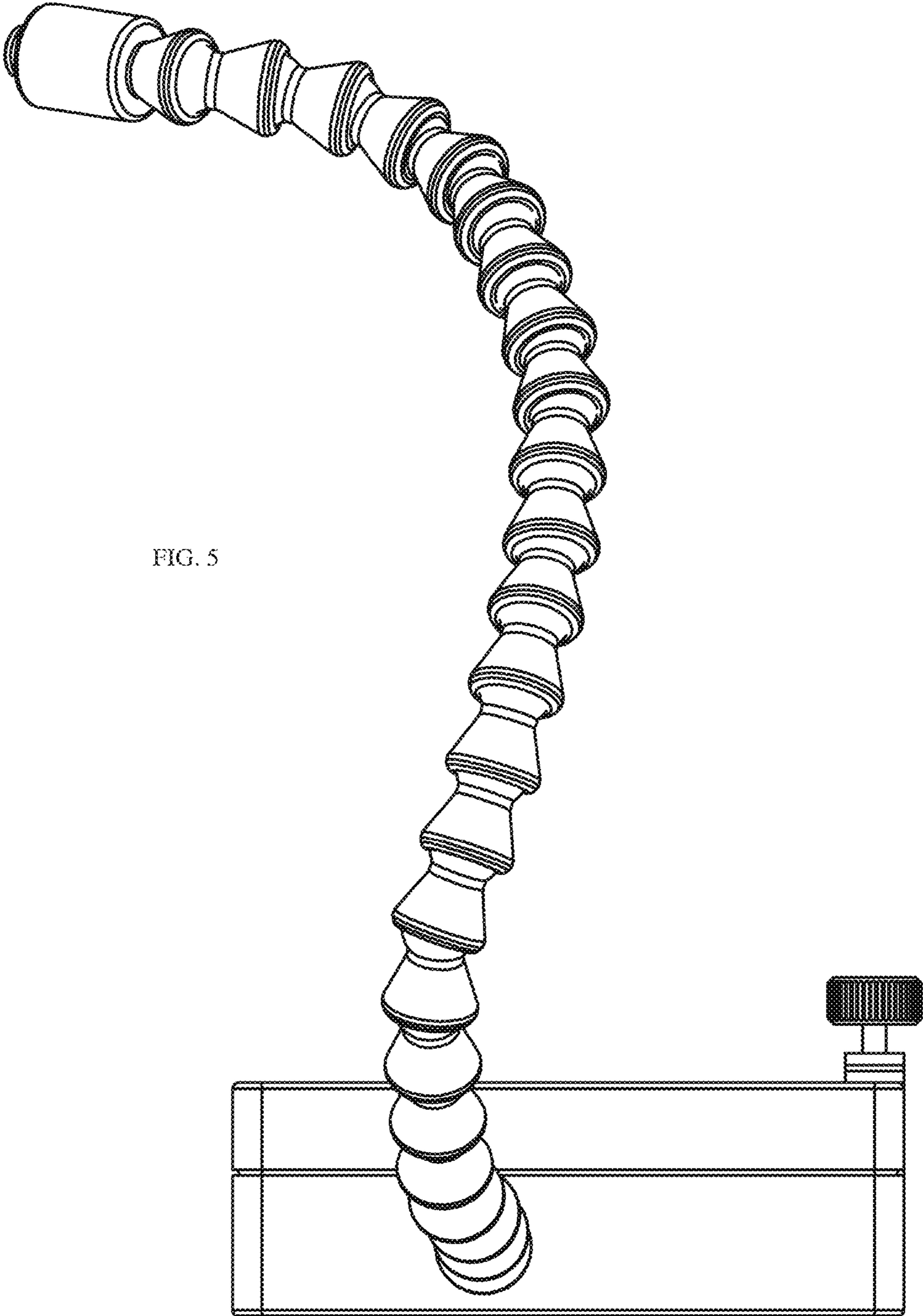


FIG. 5

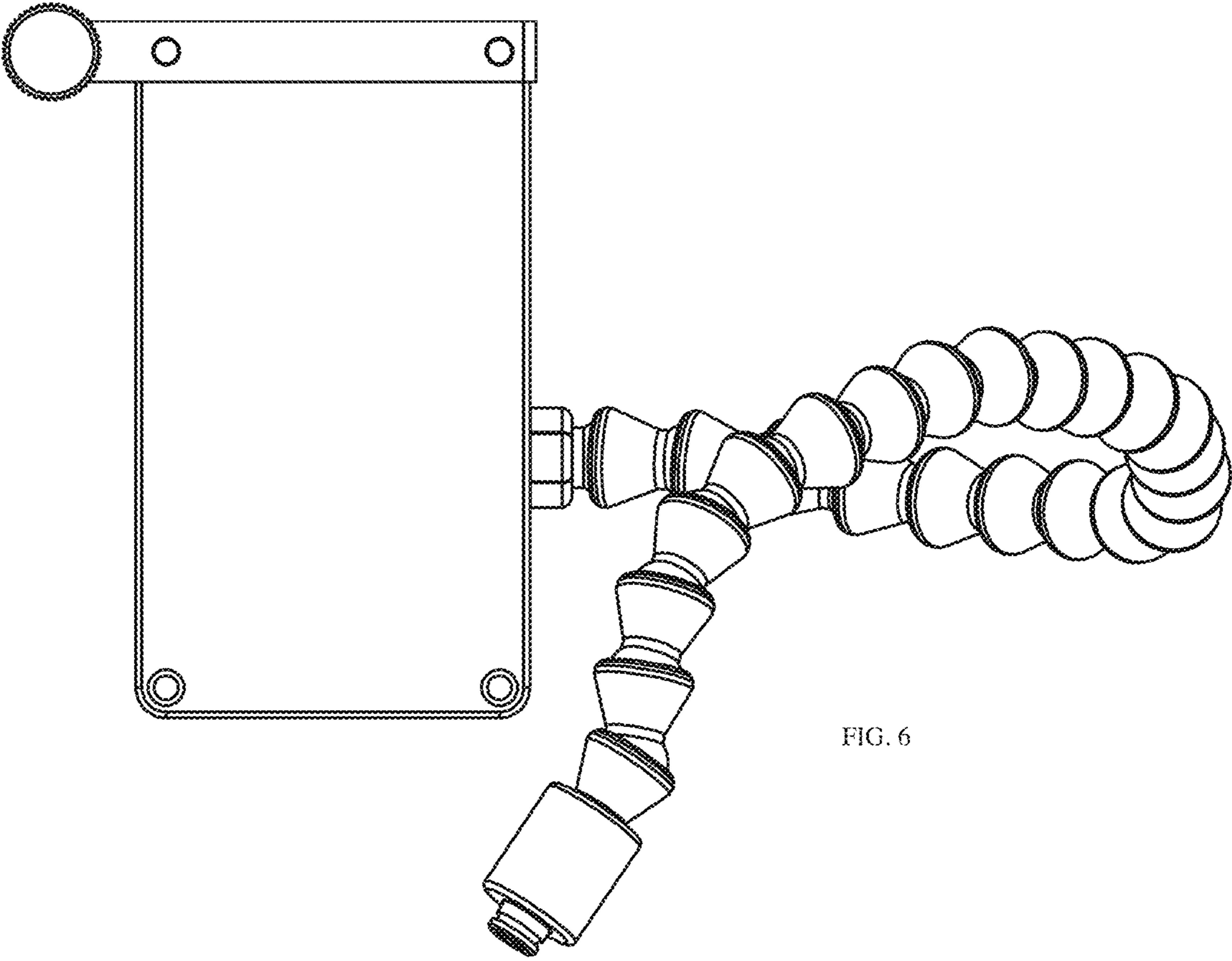


FIG. 6

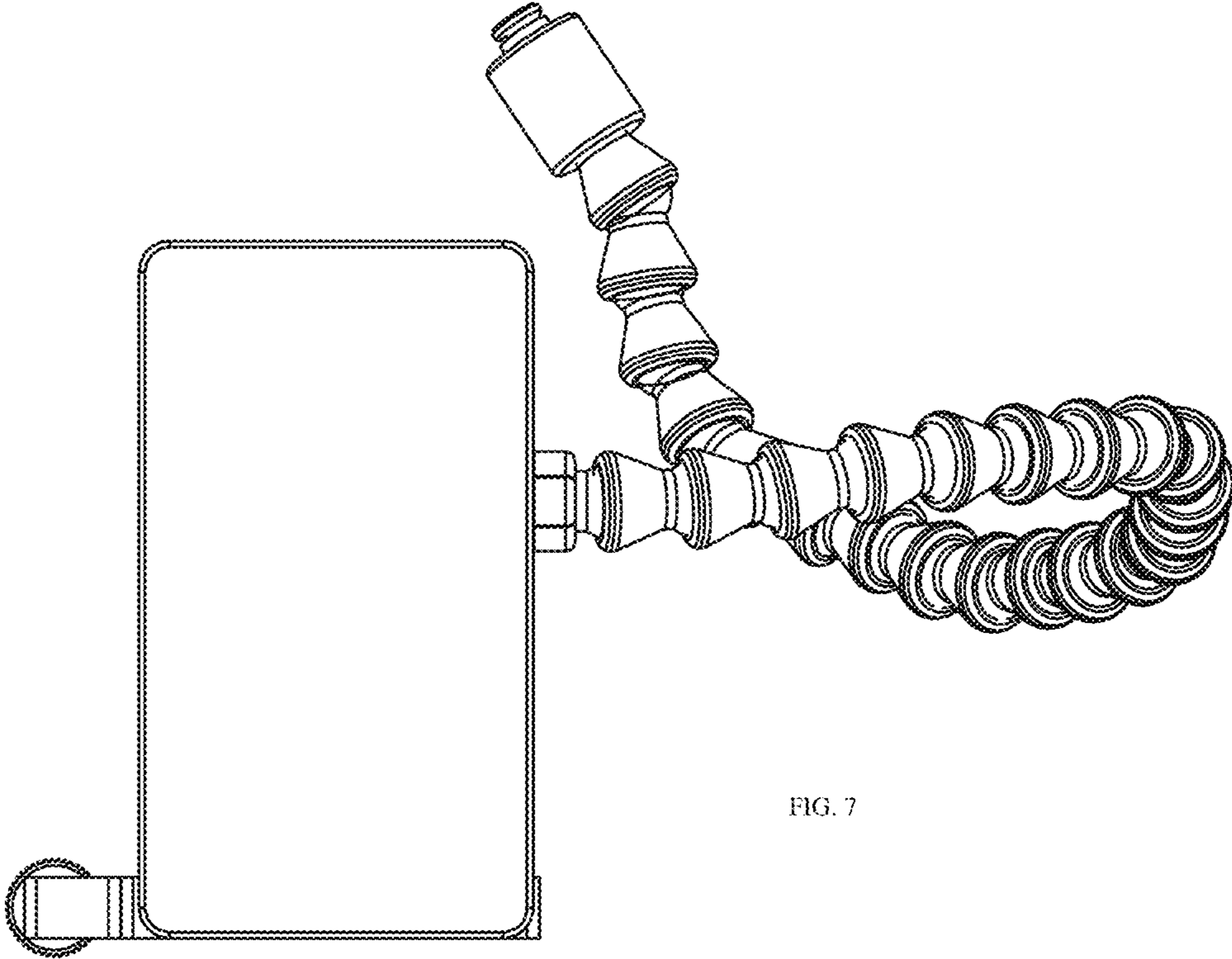


FIG. 7