



US00D866354S

(12) **United States Design Patent** (10) **Patent No.:** **US D866,354 S**
Harder (45) **Date of Patent:** **** Nov. 12, 2019**

- (54) **BADGE HOLDER WITH TIMER**
- (71) Applicant: **JBri, LLC**, Porter Ranch, CA (US)
- (72) Inventor: **Joy Harder**, Porter Ranch, CA (US)
- (73) Assignee: **JBRI, LLC.**, Porter Ranch, CA (US)
- (**) Term: **15 Years**

- (21) Appl. No.: **29/646,627**
- (22) Filed: **May 6, 2018**
- (51) **LOC (12) Cl.** **10-03**
- (52) **U.S. Cl.**
USPC **D10/41; D3/215**
- (58) **Field of Classification Search**
USPC D10/1-2, 30-39, 40-41, 104.2, 106.94,
D10/114.1-114.9, 116.1, 120-121;
D14/344; D24/167, 186; D20/27;
D3/215, 227
CPC . B65H 75/44; G09F 21/02; G04F 1/00; G04F
1/005; G04F 3/00; G04F 5/00
See application file for complete search history.

(56) **References Cited**

U.S. PATENT DOCUMENTS

| | | | | | |
|-----------|------|---------|------------|-------|-------------------------|
| D159,278 | S * | 7/1950 | Leland | | D10/31 |
| D249,776 | S * | 10/1978 | Almosnino | | D10/30 |
| D284,358 | S * | 6/1986 | Chan | | D10/40 |
| D312,578 | S * | 12/1990 | Kumakura | | D10/22 |
| D320,357 | S * | 10/1991 | Mizukami | | D10/30 |
| D324,655 | S * | 3/1992 | Bulgari | | D10/30 |
| D336,435 | S * | 6/1993 | Yusa | | D10/15 |
| D361,531 | S * | 8/1995 | Wolkenfeld | | D10/40 |
| D364,101 | S * | 11/1995 | Bradley | | D10/15 |
| 5,854,774 | A * | 12/1998 | Timme | | G04F 1/005 368/10 |
| D424,452 | S * | 5/2000 | Li | | D10/40 |
| D471,116 | S * | 3/2003 | Suzuki | | D10/40 |
| 6,636,458 | B1 * | 10/2003 | Uptegraph | | G04B 37/1406 368/107 |
| D588,476 | S * | 3/2009 | Wehrly | | D10/40 |

| | | | | | |
|--------------|------|---------|----------|-------|-----------------------|
| D648,227 | S * | 11/2011 | Grotell | | D10/31 |
| D653,967 | S * | 2/2012 | Blake | | D10/31 |
| 2007/0284401 | A1 * | 12/2007 | Hilliard | | G04F 1/005 222/638 |
| 2008/0265082 | A1 * | 10/2008 | Angiuli | | A45F 5/004 242/400 |

(Continued)

OTHER PUBLICATIONS

iDeal ID Badge Holder Digital Timer | amazon.com Nov. 2018 [online]. © 1996-2019, Amazon.com, Inc [retrieved Jul. 2, 2019] from Internet: <<https://www.amazon.com/iDeal-Timer-Horizontal-Retractable-Plastic/dp/B07KPZ45D8>> (Year: 2018).*

Primary Examiner — Sandra S Snapp
Assistant Examiner — Katherine Glennon

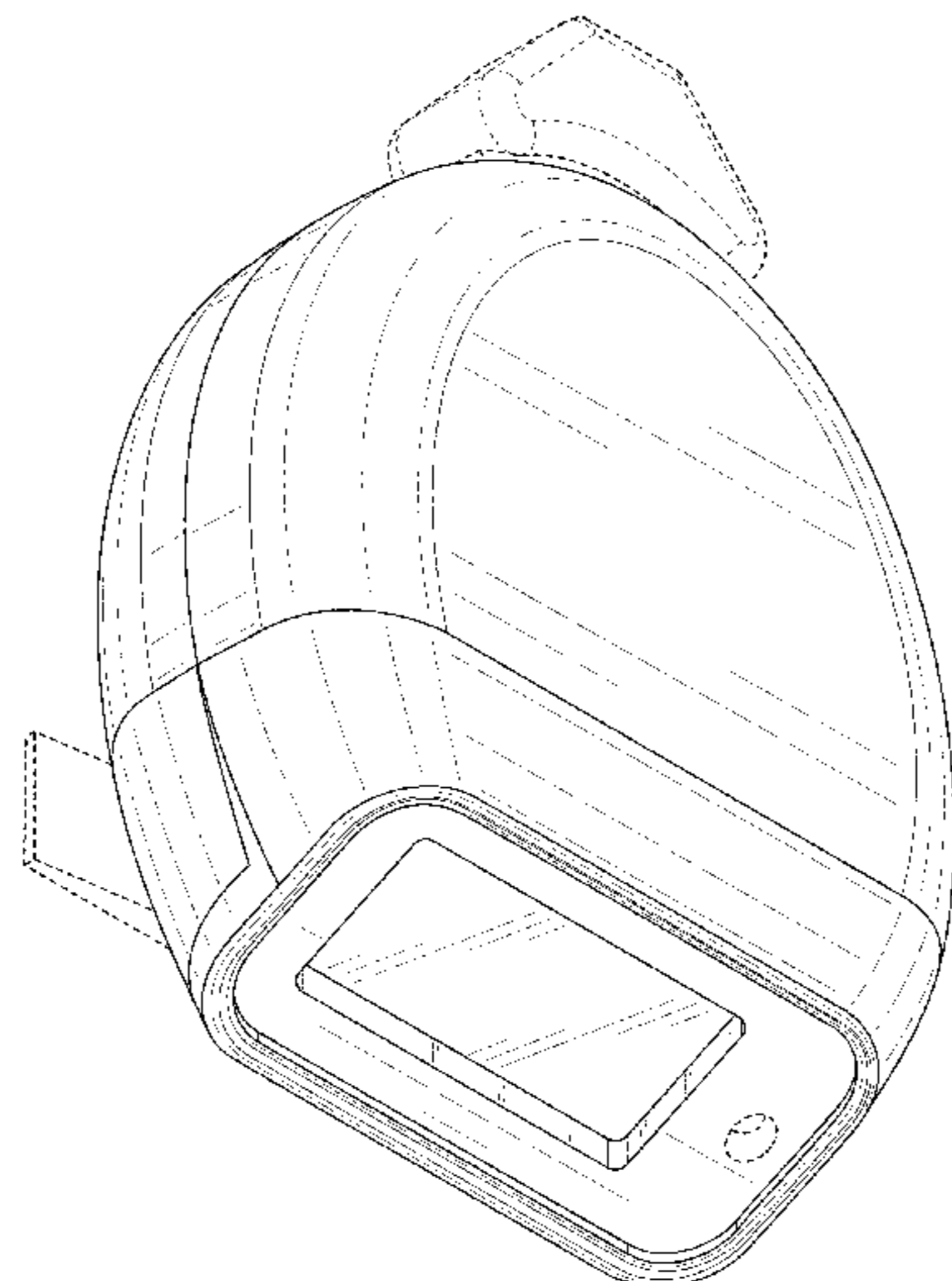
(57) **CLAIM**

The ornamental design for a badge holder with timer, as shown and described.

DESCRIPTION

FIG. 1 is a left perspective view illustrating a badge holder with timer embodying my new design; FIG. 2 is a top plan view illustrating a badge holder with timer embodying my new design; FIG. 3 is a bottom plan view illustrating a badge holder with timer embodying my new design; FIG. 4 is a left side view illustrating a badge holder with timer embodying my new design; FIG. 5 is a right side view illustrating a badge holder with timer embodying my new design; FIG. 6 is a right upper perspective view illustrating a badge holder with timer embodying my new design; and, FIG. 7 is a right lower perspective view illustrating a badge holder with timer embodying my new design. The broken line disclosure illustrates environment and forms no part of the claimed design.

1 Claim, 7 Drawing Sheets



(56)

References Cited

U.S. PATENT DOCUMENTS

2013/0161363 A1* 6/2013 Johnson A45F 5/02
224/162
2014/0016442 A1* 1/2014 Hoover G04F 3/08
368/109
2017/0022025 A1* 1/2017 Burner G09F 21/02

* cited by examiner

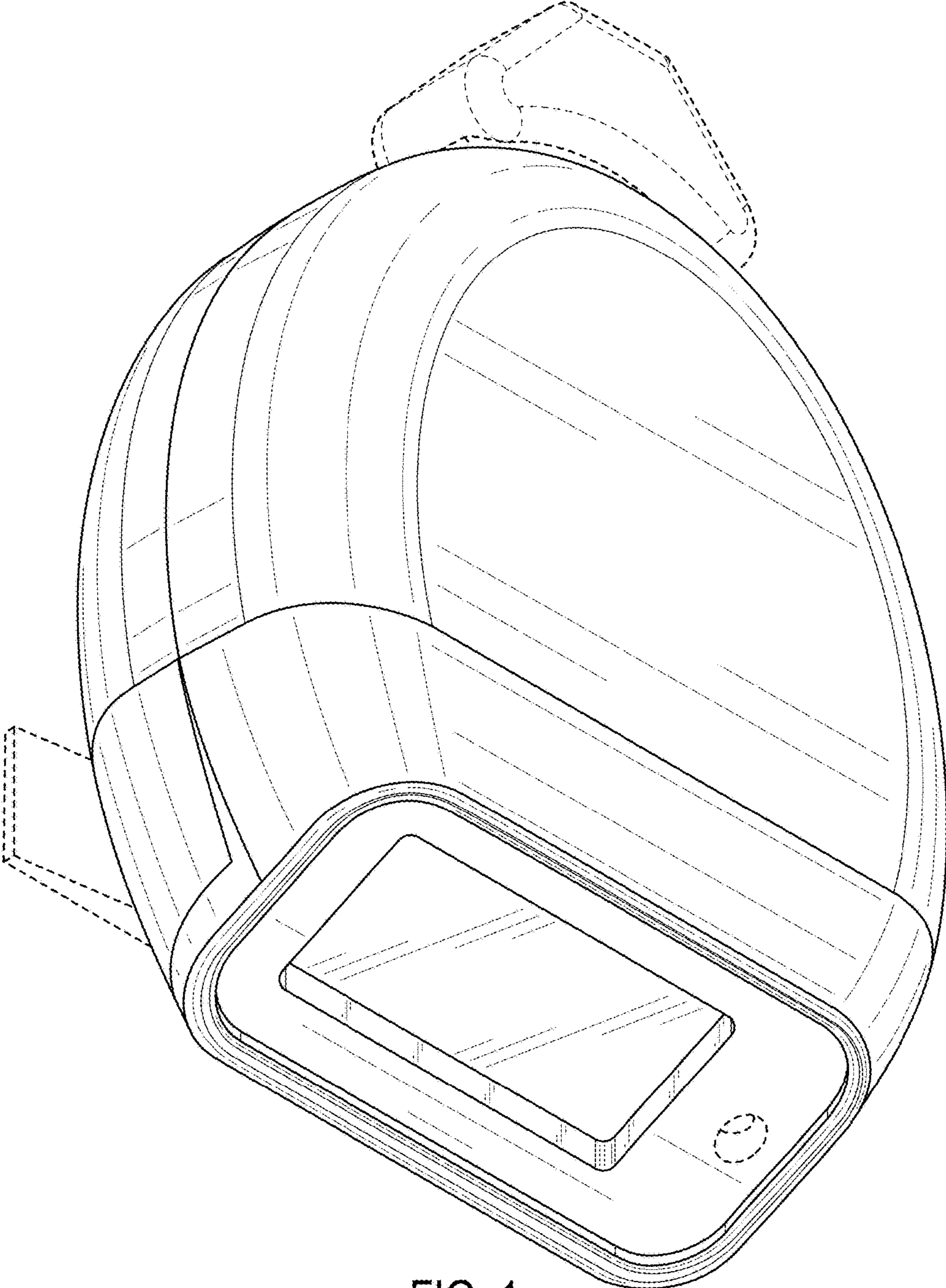


FIG. 1

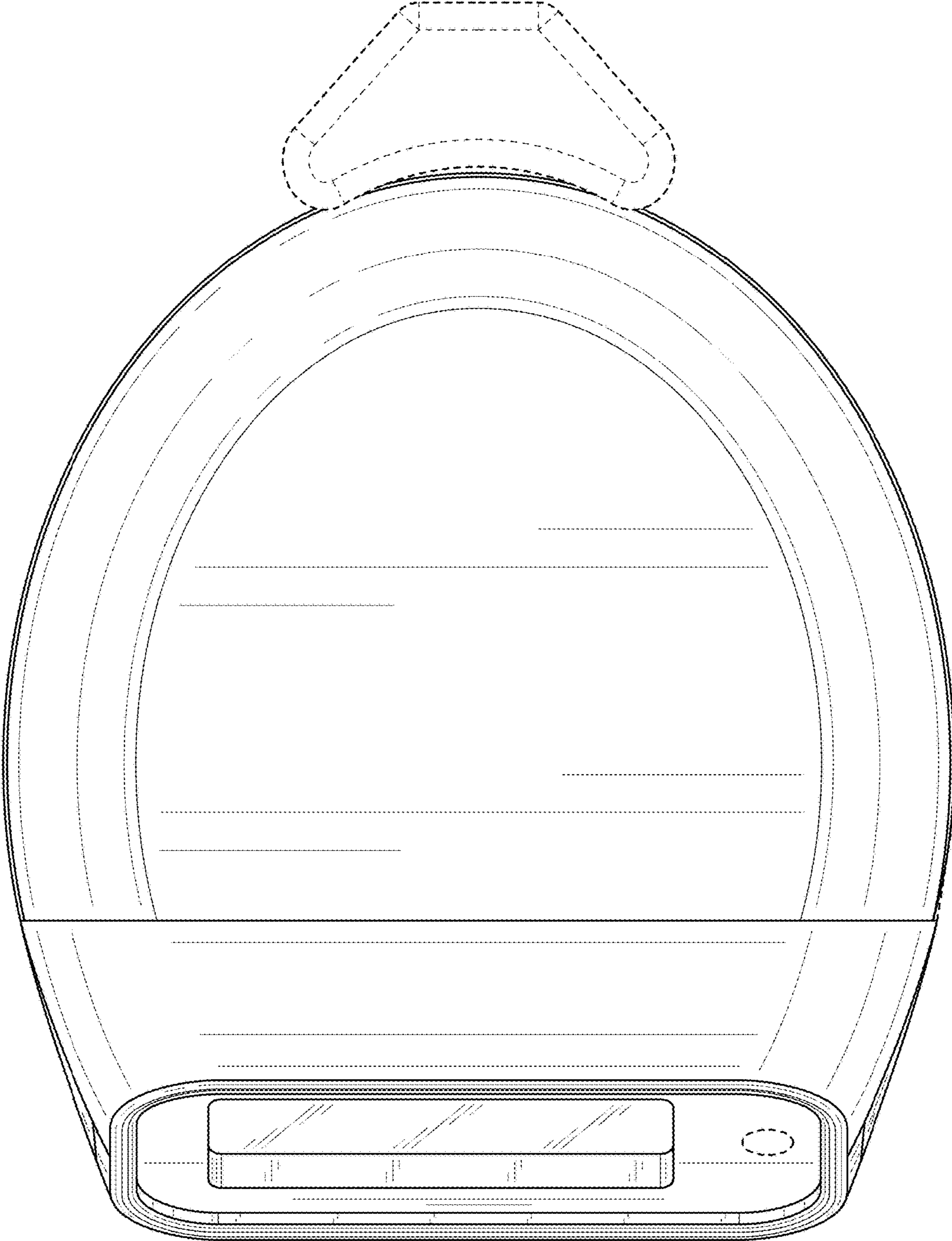


FIG. 2

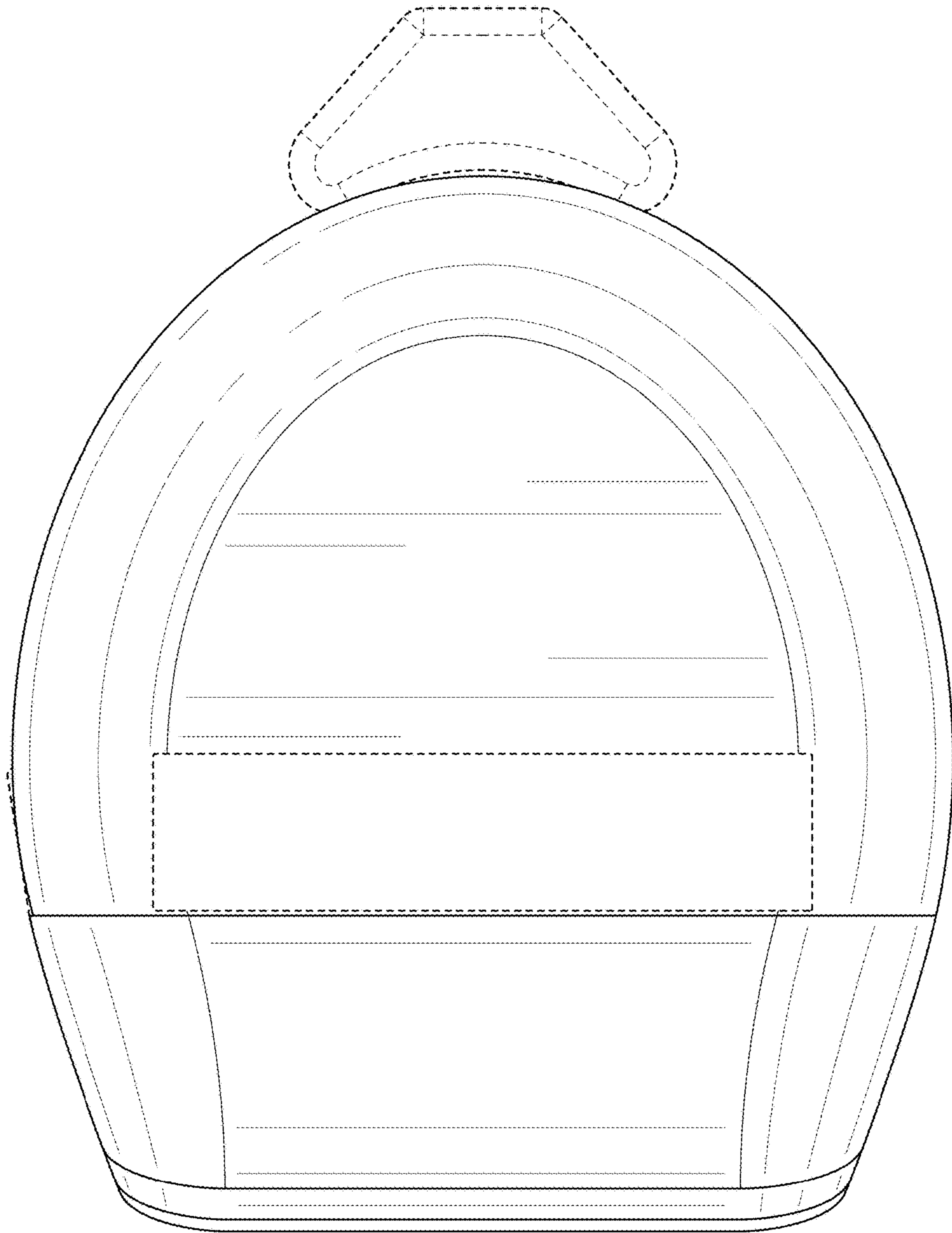


FIG. 3

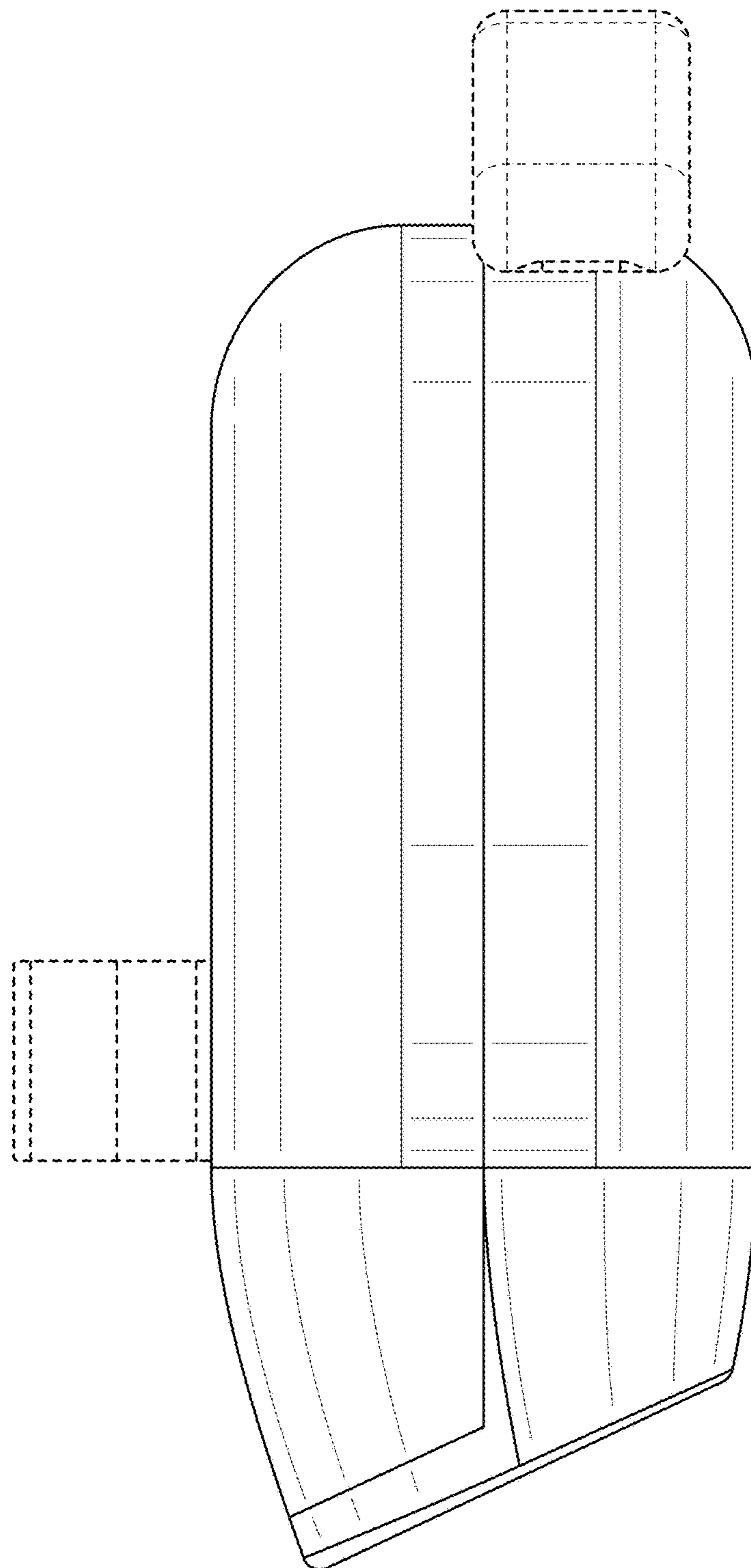


FIG. 4

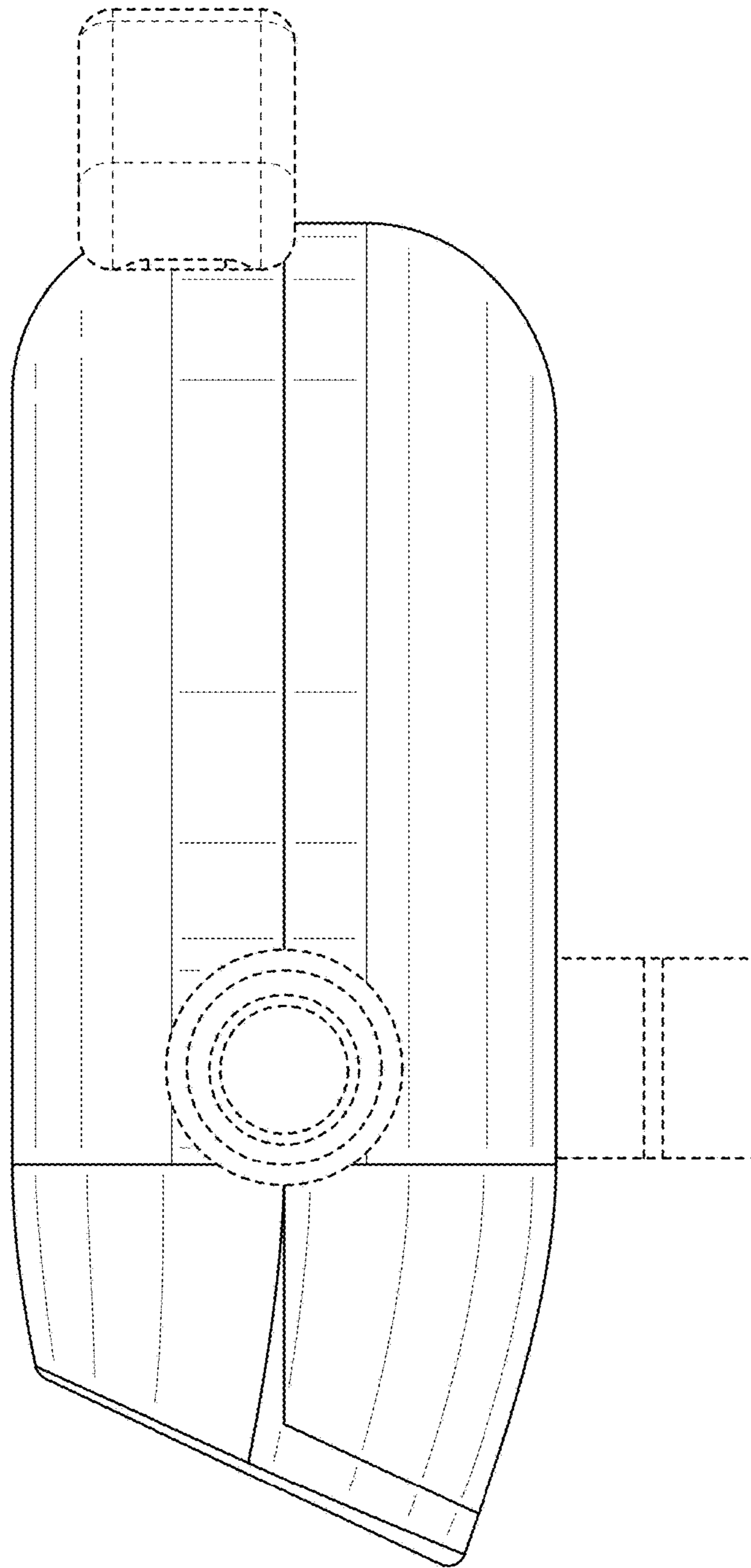


FIG. 5

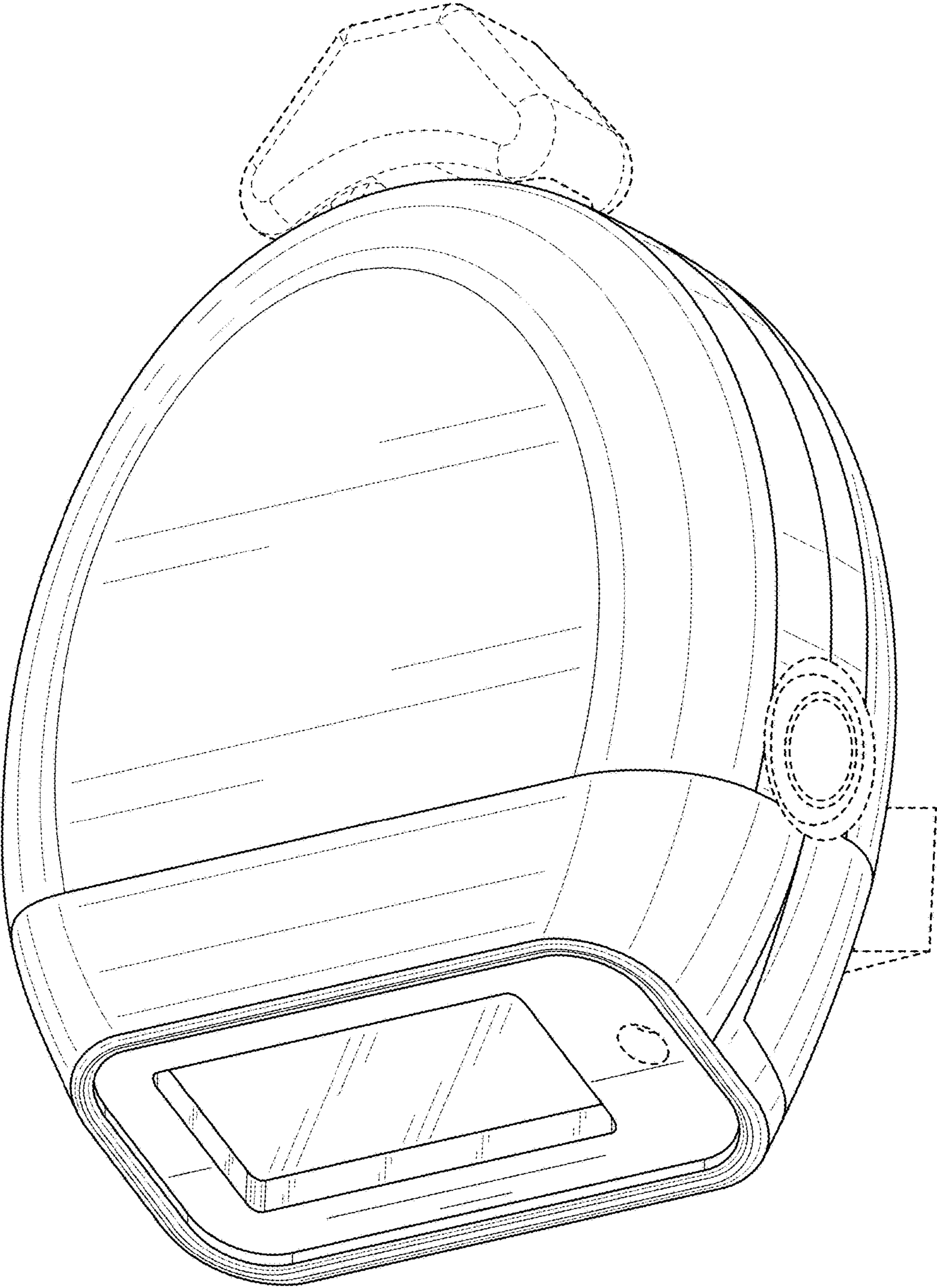


FIG. 6

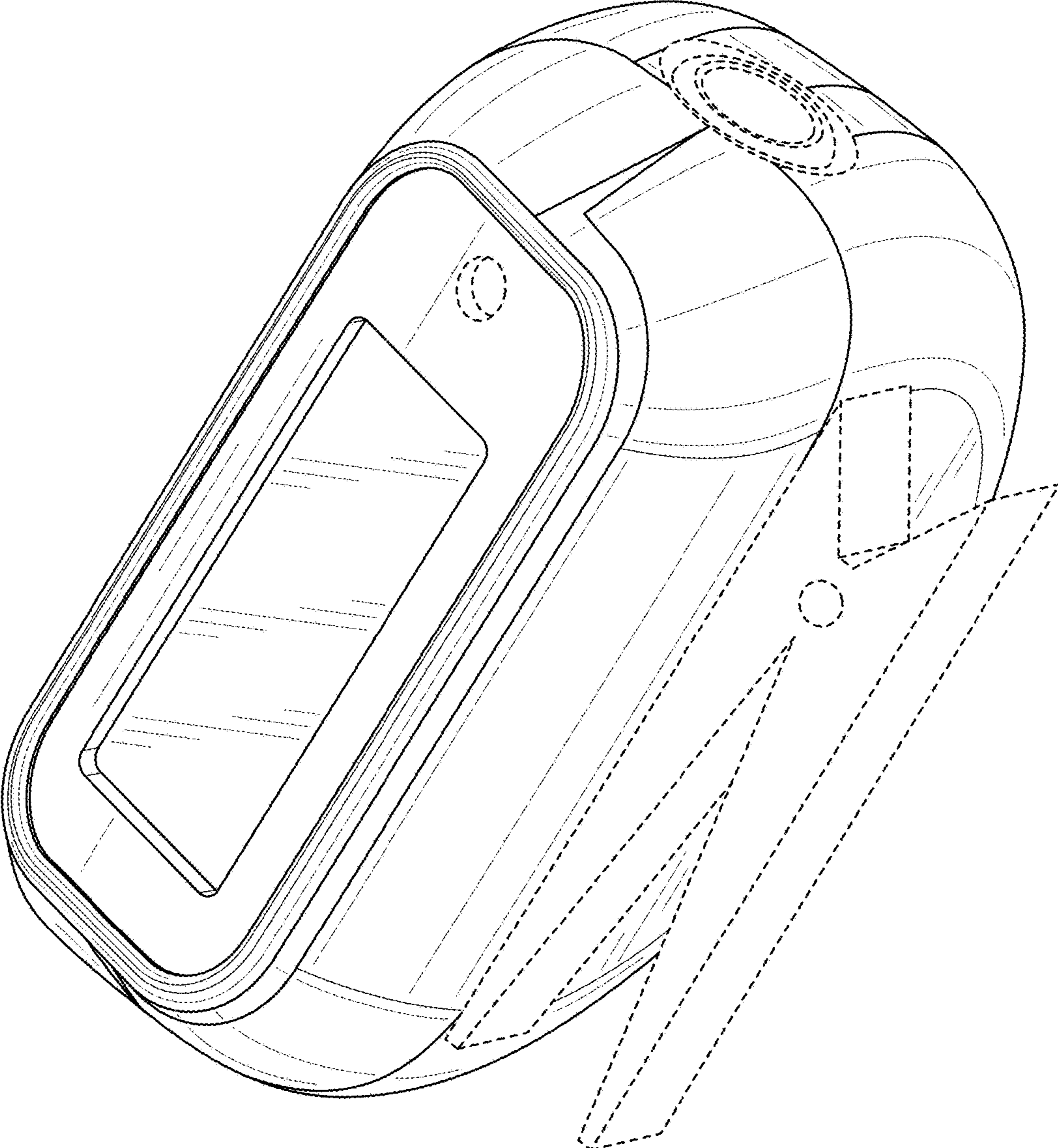


FIG. 7