



US00D866353S

(12) **United States Design Patent** (10) **Patent No.:** **US D866,353 S**
Tinguely (45) **Date of Patent:** **** Nov. 12, 2019**

(54) **WATCH**

(71) Applicant: **Richemont International SA,**
Villars-sur-Glane (CH)

(72) Inventor: **Marie Tinguely,** Morges (CH)

(73) Assignee: **Richemont International SA,**
Villars-sur-Glane (CH)

(**) Term: **15 Years**

(21) Appl. No.: **29/646,892**

(22) Filed: **May 8, 2018**

(30) **Foreign Application Priority Data**

Nov. 8, 2017 (WO) DM/098786

(51) **LOC (12) Cl.** **10-02**

(52) **U.S. Cl.**
USPC **D10/39**

(58) **Field of Classification Search**

USPC D10/1-2, 6, 10, 30-39, 40-41, 102-103,
D10/122-129, 132; D11/3, 40, 91;
D14/344, 440

CPC G04B 37/00; G04B 37/005; G04B 37/22;
G04B 17/00; G04B 19/223; G04B 19/24;
G04B 45/00; G04B 45/0061; G04B
45/0069; G04B 45/0076; G04B 45/0084;
A45C 11/10; A45C 11/12; A45C 13/008

See application file for complete search history.

(56) **References Cited**

U.S. PATENT DOCUMENTS

D145,831 S * 10/1946 Arpels D10/32
D300,807 S * 4/1989 Schneider D10/32
D327,023 S * 6/1992 St. Dizier D10/30
D333,101 S * 2/1993 Krieger D10/10
D361,521 S * 8/1995 Koga D10/30
D371,082 S * 6/1996 Oba D10/39

D394,817 S * 6/1998 Roales D10/30
D420,293 S * 2/2000 Parmigiani D10/30
D645,766 S * 9/2011 Bertucci D10/38
D694,656 S * 12/2013 Inoue D10/38
D703,554 S * 4/2014 Emmenegger D10/32
D799,989 S * 10/2017 Ohba D10/38
D812,498 S * 3/2018 Lacroix-Gachet D10/32
D831,509 S * 10/2018 Sasaki D10/39
D831,519 S * 10/2018 Monachon D10/126
D834,980 S * 12/2018 Le Bot D10/126

(Continued)

OTHER PUBLICATIONS

Baume Mercier Clifton Club Quartz | posted at watchtime.com Jun. 2018 [online]. ©2018 Ebner Publishing International, Inc. [retrieved Feb. 28, 2019] from Internet: <<https://www.watchtime.com/watch-to-watch/baume-mercier-clifton-club-quartz>> (Year: 2018).*

Primary Examiner — Sandra S Snapp

Assistant Examiner — Katherine Glennon

(74) *Attorney, Agent, or Firm* — Taft Stettinius & Hollister LLP

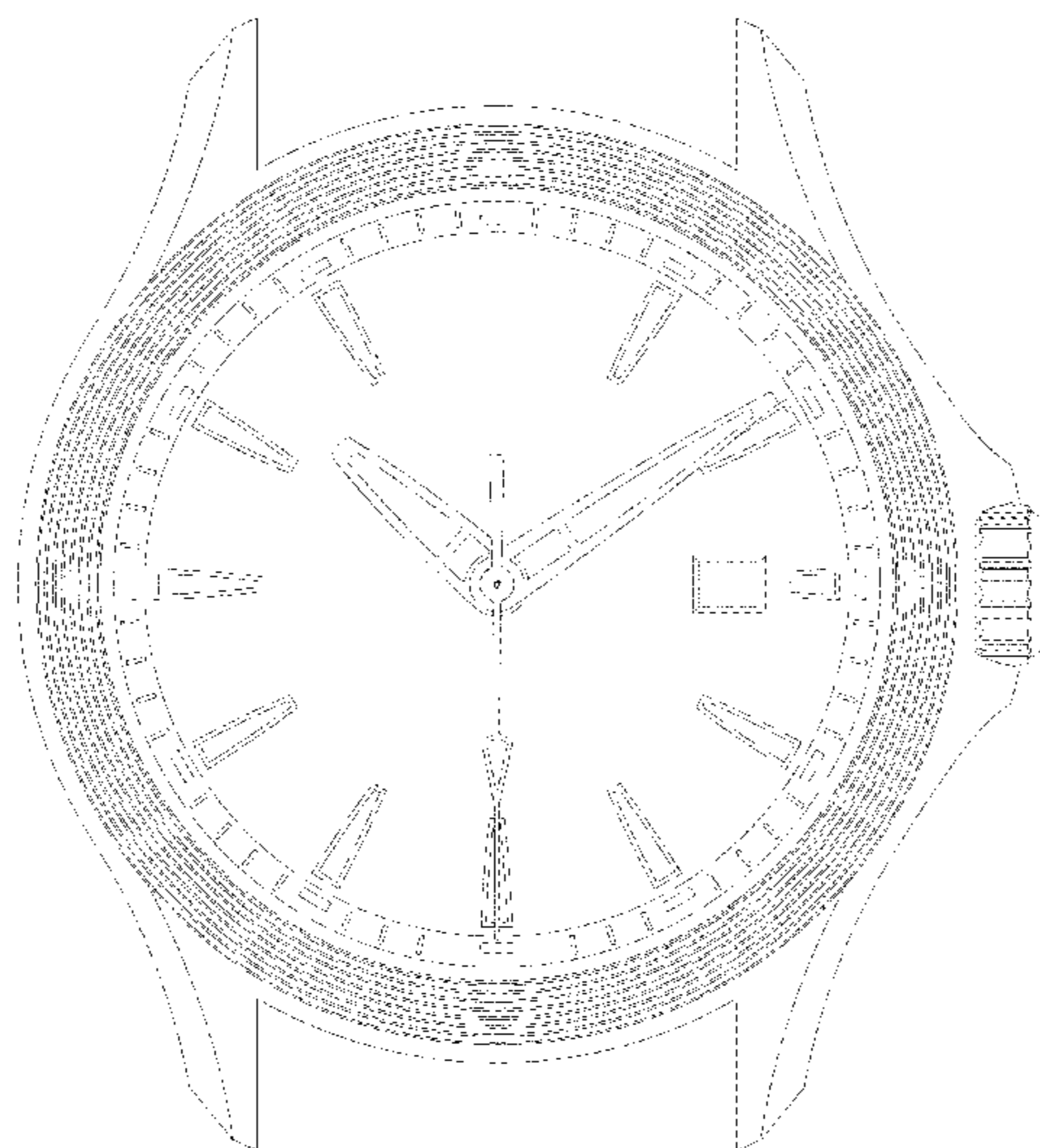
(57) **CLAIM**

The ornamental design for a watch, as shown and described.

DESCRIPTION

FIG. 1 is a front elevational view of a watch showing my new design;
FIG. 2 is a back elevational view thereof;
FIG. 3 is a right side elevational view thereof;
FIG. 4 is a left side elevational view thereof;
FIG. 5 is a bottom plan view thereof;
FIG. 6 is a top plan view thereof;
FIG. 7 is a front, right side perspective view thereof; and,
FIG. 8 is a back, left side perspective view thereof.
The broken lines in the drawing figures depict unclaimed subject matter that forms no part of the claimed design.

1 Claim, 8 Drawing Sheets



(56)

References Cited

U.S. PATENT DOCUMENTS

D835,536 S * 12/2018 Antifora D10/126
D840,844 S * 2/2019 Le Bot D10/39

* cited by examiner

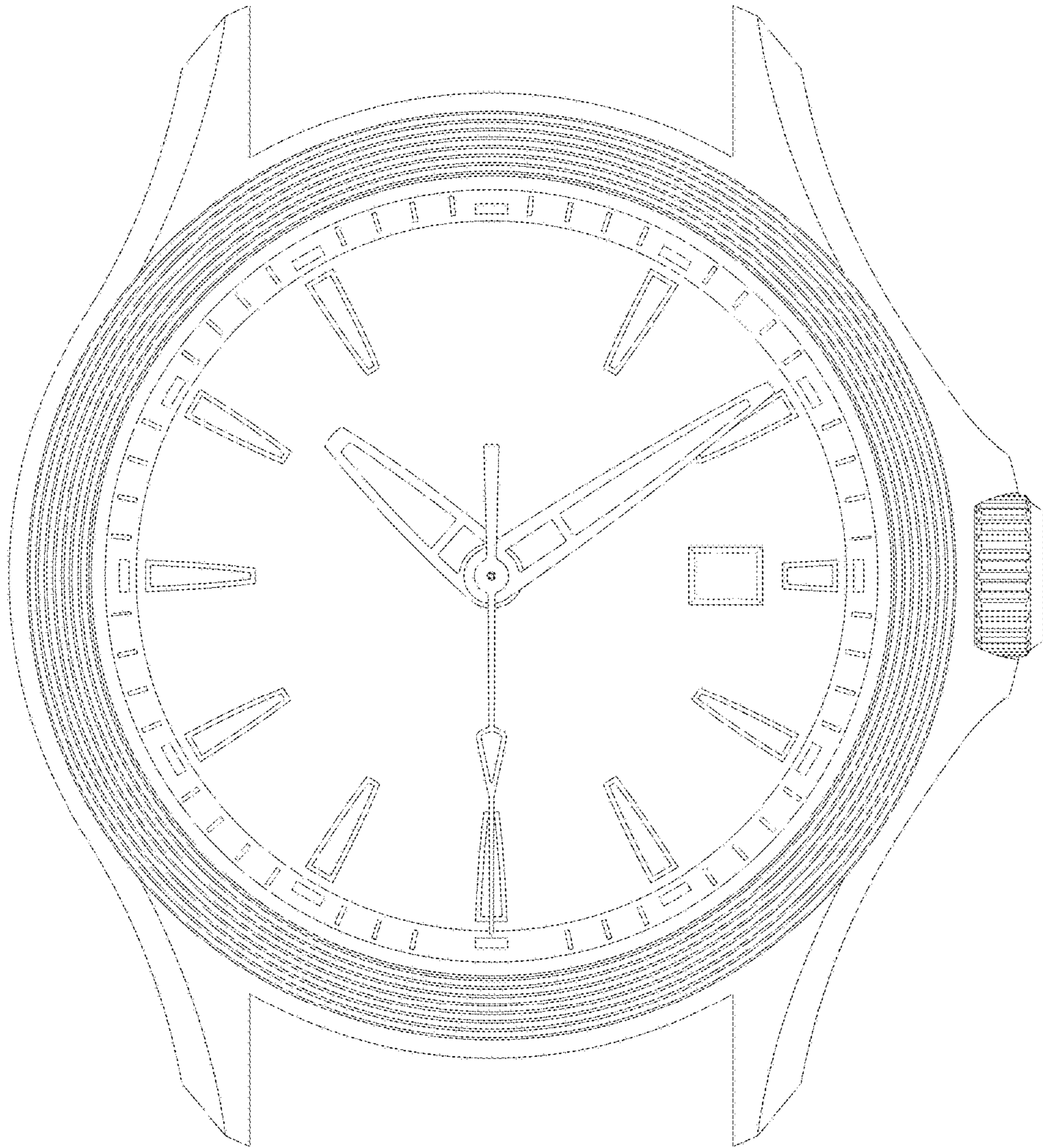


Fig. 1

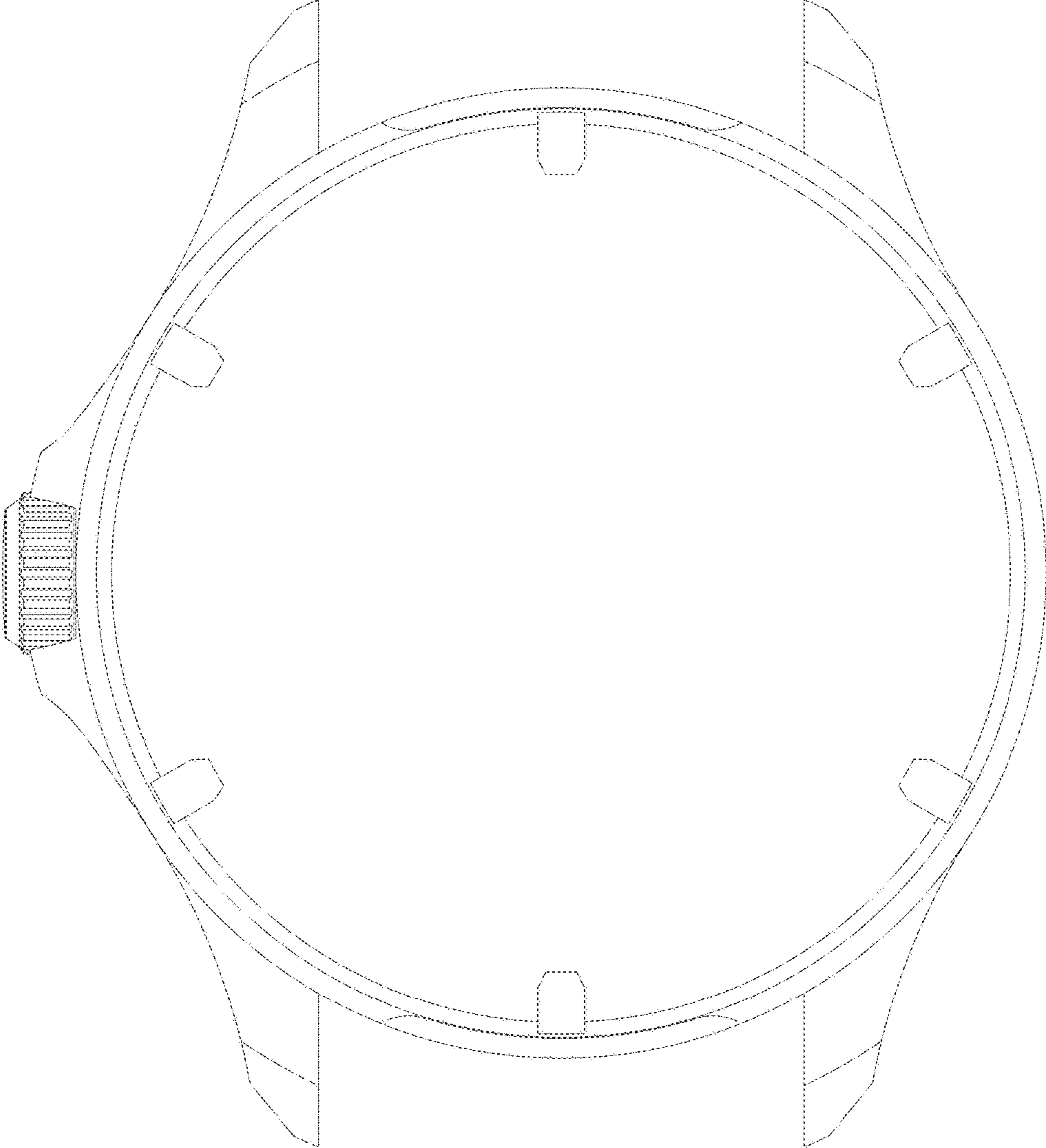


Fig. 2

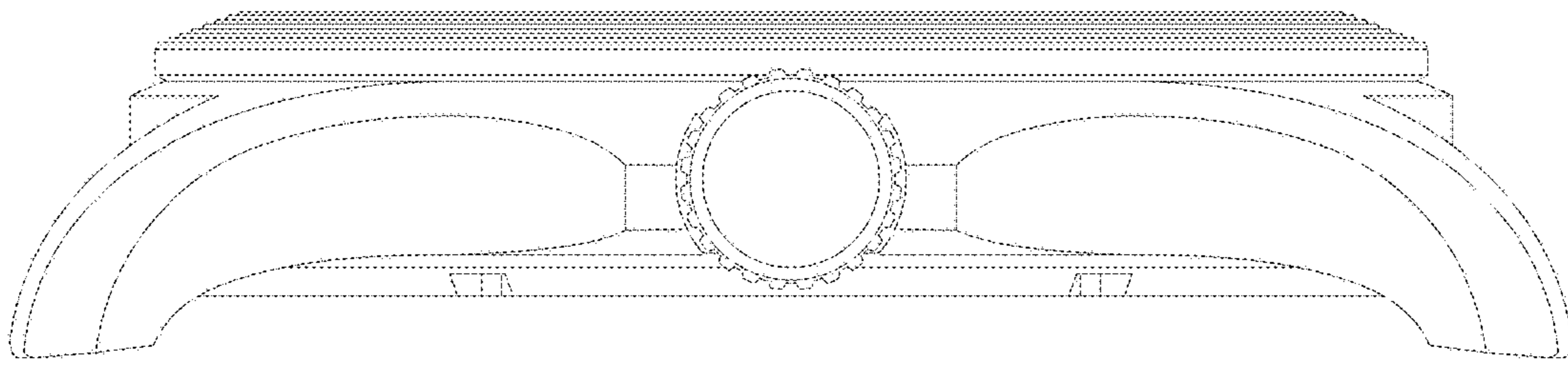


Fig. 3

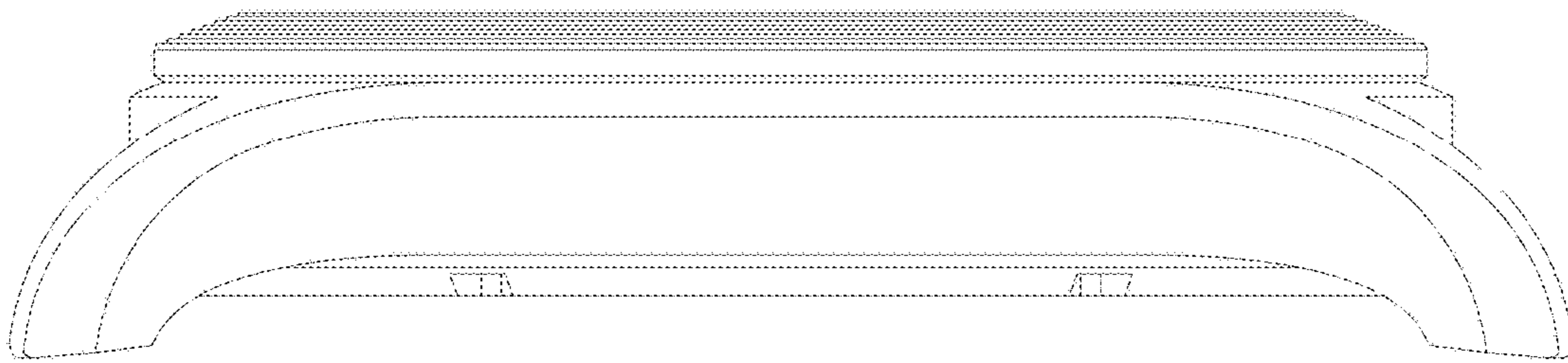


Fig. 4

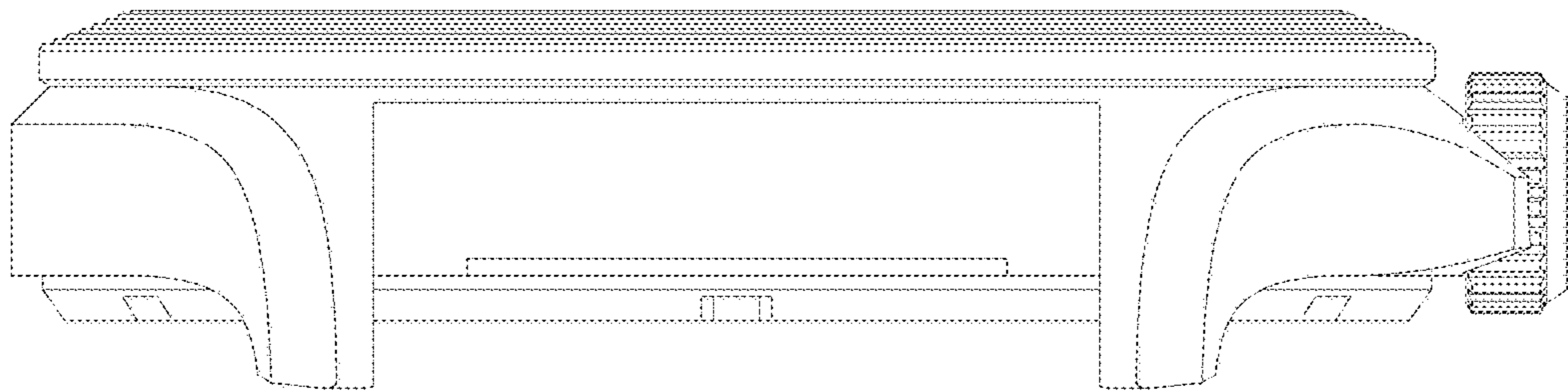


Fig. 5

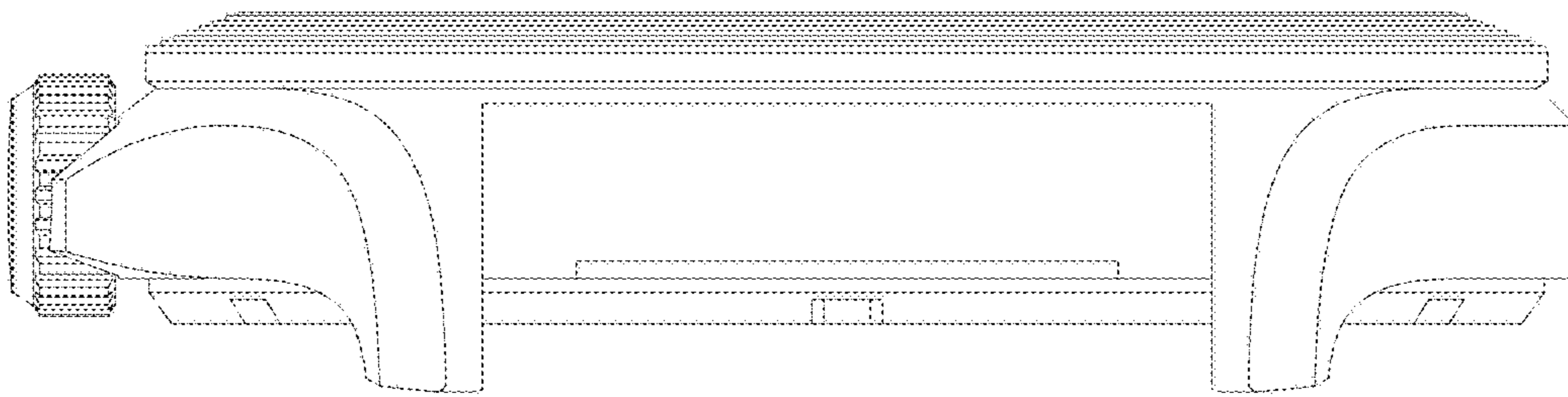


Fig. 6

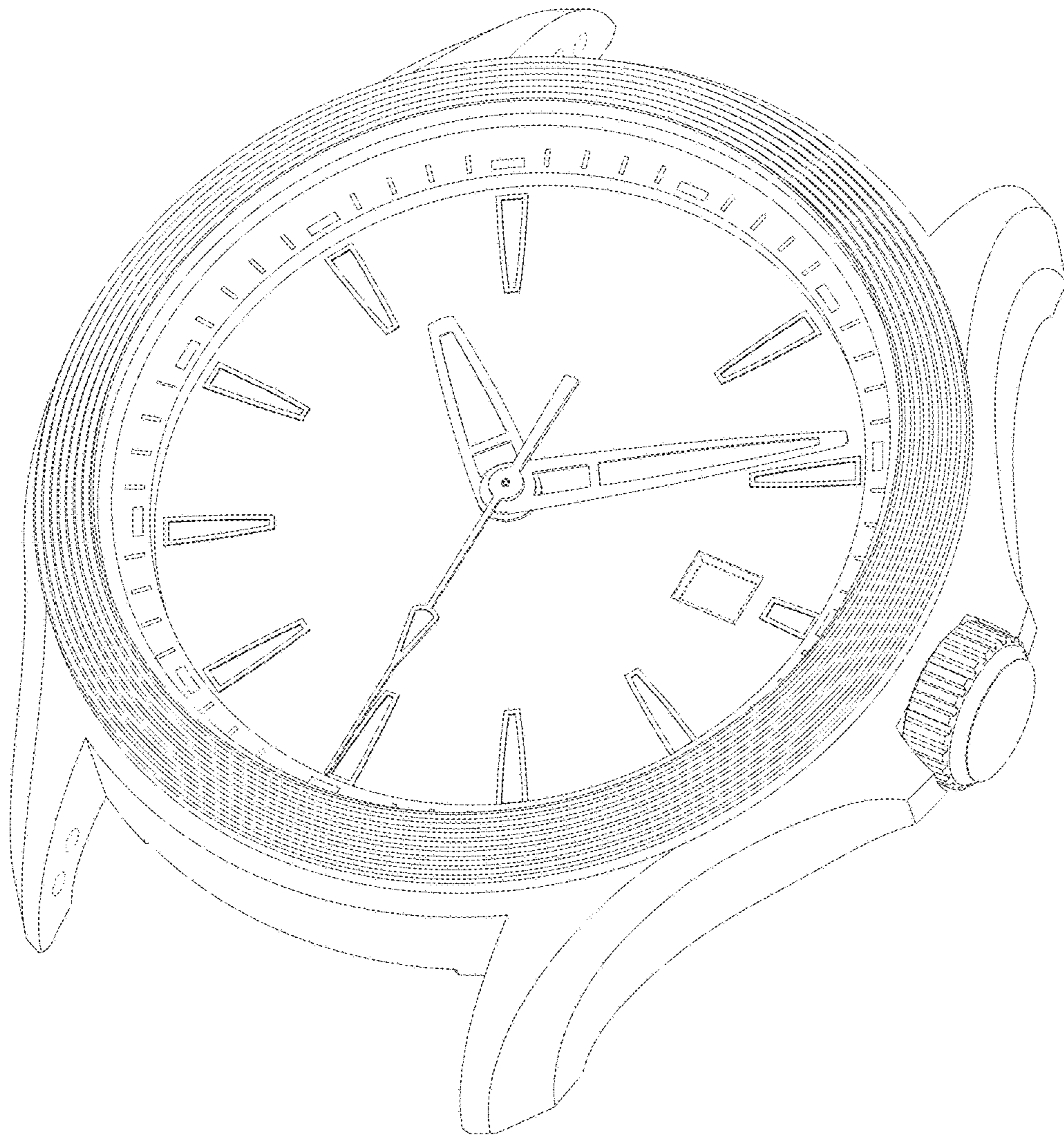


Fig. 7

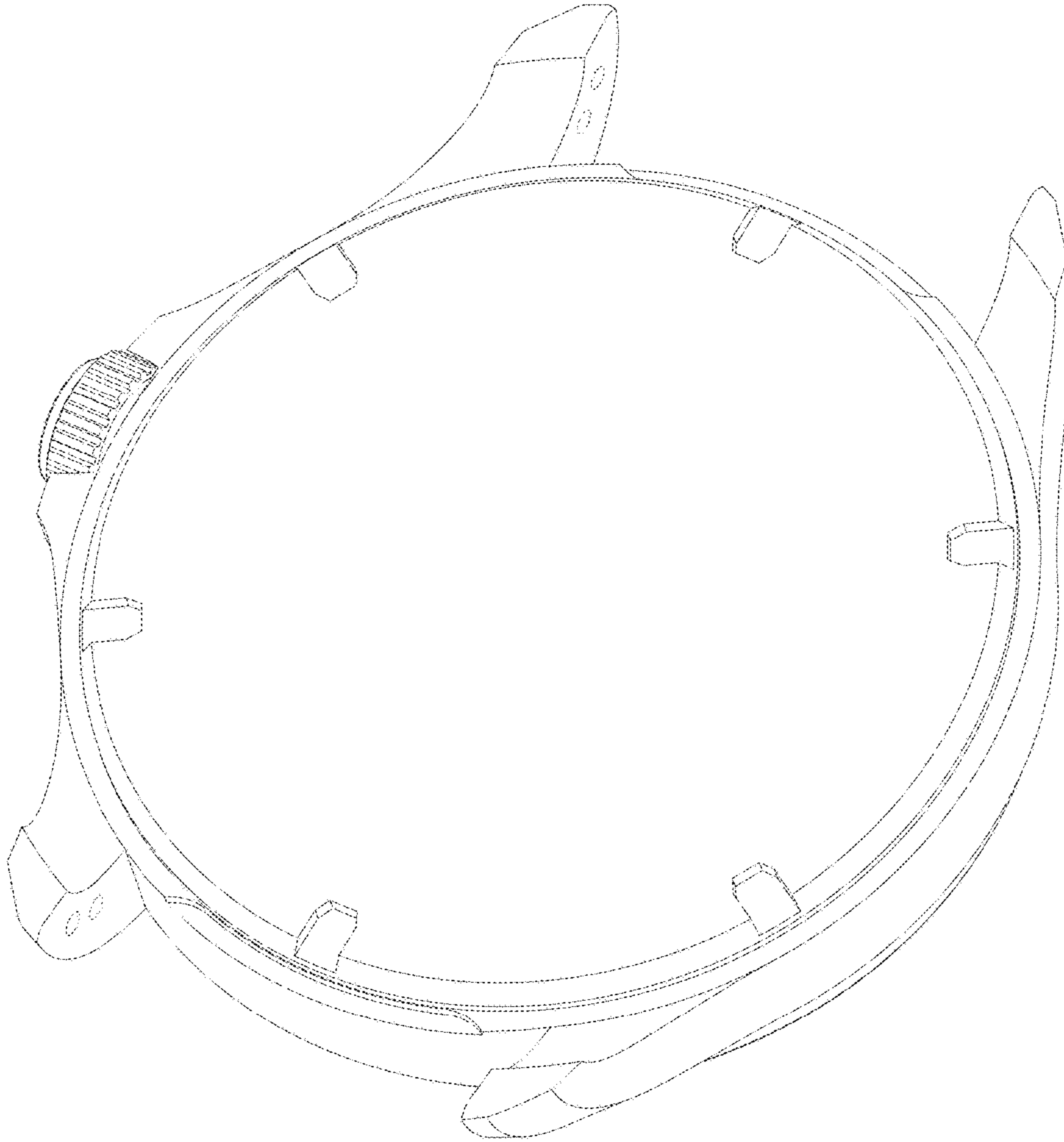


Fig. 8