



US00D866352S

(12) **United States Design Patent**
Ming

(10) **Patent No.:** **US D866,352 S**

(45) **Date of Patent:** **** Nov. 12, 2019**

(54) **WATCH**

FOREIGN PATENT DOCUMENTS

(71) Applicant: **CITIZEN WATCH CO., LTD.**,
Nishitokyo-shi, Tokyo (JP)

JP	D1174361	6/2003
JP	D1533359	9/2015
JP	D1557507	8/2016

(72) Inventor: **Chau Hon Ming**, Sai Kung (HK)

OTHER PUBLICATIONS

(73) Assignee: **CITIZEN WATCH CO., LTD.** (JP)

Citizen Land Promaster | citizenwatch-global.com, n.d.[online]. © 2018 Citizen Watch Co., Ltd [retrieved Dec. 17, 2018] from Internet: <<https://www.citizenwatch-global.com/promaster/product/land/index.html>> (Year: 2018).*

(**) Term: **15 Years**

(21) Appl. No.: **29/615,590**

* cited by examiner

(22) Filed: **Aug. 30, 2017**

(51) **LOC (12) Cl.** **10-02**

Primary Examiner — Sandra S Snapp

(52) **U.S. Cl.**

Assistant Examiner — Katherine Glennon

USPC **D10/39**

(74) *Attorney, Agent, or Firm* — RatnerPrestia

(58) **Field of Classification Search**

USPC D10/30–32, 37–39, 122–124, 126, 128
See application file for complete search history.

(57) **CLAIM**

The ornamental design for a watch, as shown and described.

(56) **References Cited**

DESCRIPTION

U.S. PATENT DOCUMENTS

D517,927 S *	3/2006	Enomoto	D10/32
D580,280 S *	11/2008	Takahashi	D10/39
D594,351 S *	6/2009	Tonohori	D10/32
D609,120 S *	2/2010	Lalo	D10/39
D618,119 S *	6/2010	Tonohori	D10/38
D652,328 S *	1/2012	Laucella	D10/39
D707,138 S *	6/2014	Kamata	D10/39
D708,074 S *	7/2014	Tonohori	D10/39
D715,660 S *	10/2014	Inoue	D10/39
D717,668 S *	11/2014	Sugiura	D10/32
D762,126 S *	7/2016	Izuka	D10/126
D762,490 S *	8/2016	Tonohori	D10/126
D793,879 S *	8/2017	Tonohori	D10/30
D793,883 S *	8/2017	Kouda	D10/30
D815,134 S *	4/2018	Kim	D14/486
D822,510 S *	7/2018	Kwong	D10/39

FIG. 1 is an enlarged perspective view of a watch showing our new design;

FIG. 2 is a front elevational view thereof;

FIG. 3 is a left side elevational view thereof;

FIG. 4 is a right side elevational view thereof;

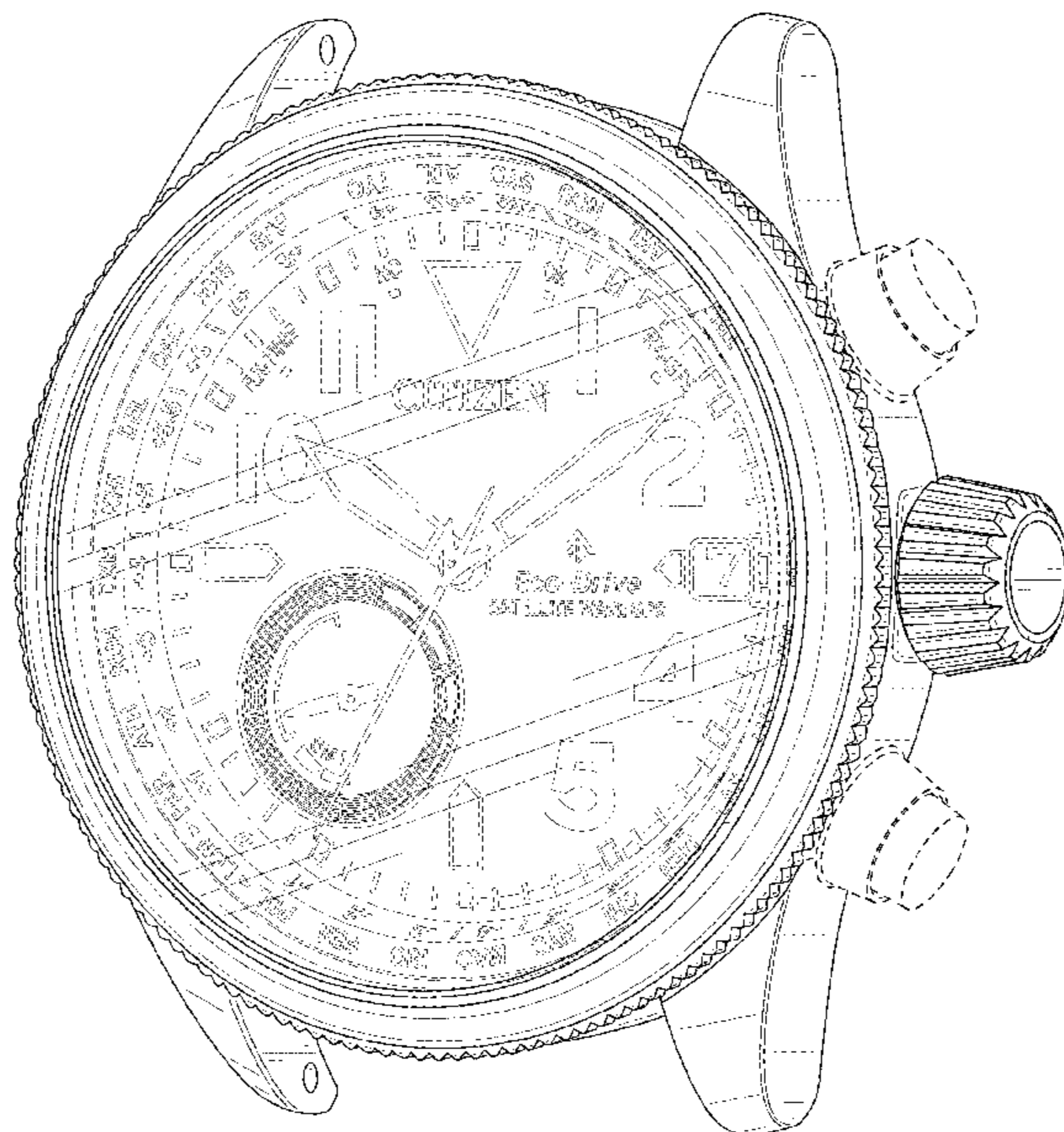
FIG. 5 is a rear elevational view thereof;

FIG. 6 is a top plan view thereof; and,

FIG. 7 is a bottom plan view thereof.

The broken lines shown in FIGS. 1, 2, and 4 to 7 illustrate portions of the watch that form no part of the claimed design. “CITIZEN” and “Eco-Drive” are registered trademarks owned by Citizen Tokei Kabushiki Kaishi TA Citizen Watch Co., Ltd.

1 Claim, 5 Drawing Sheets



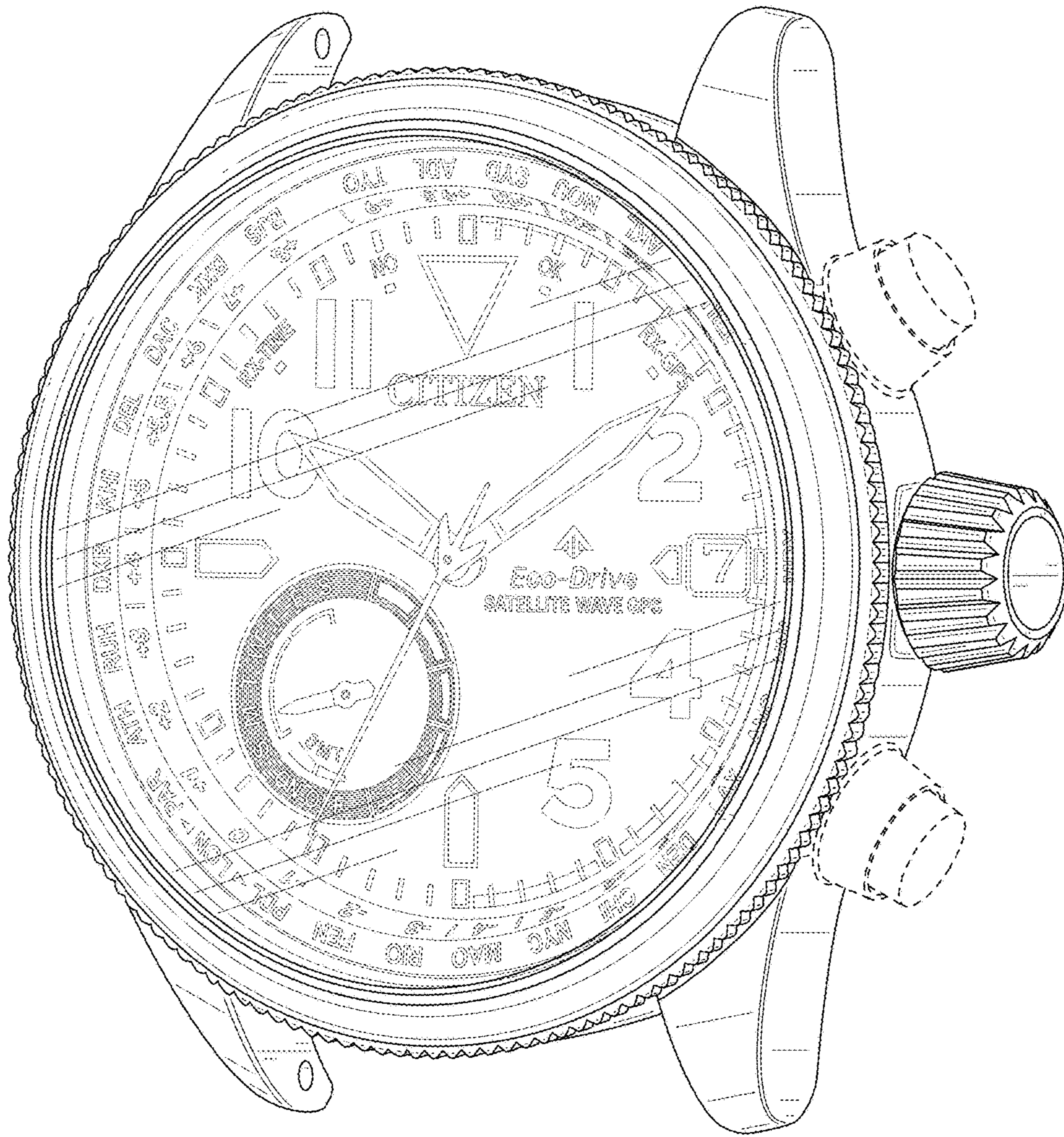


FIG. 1

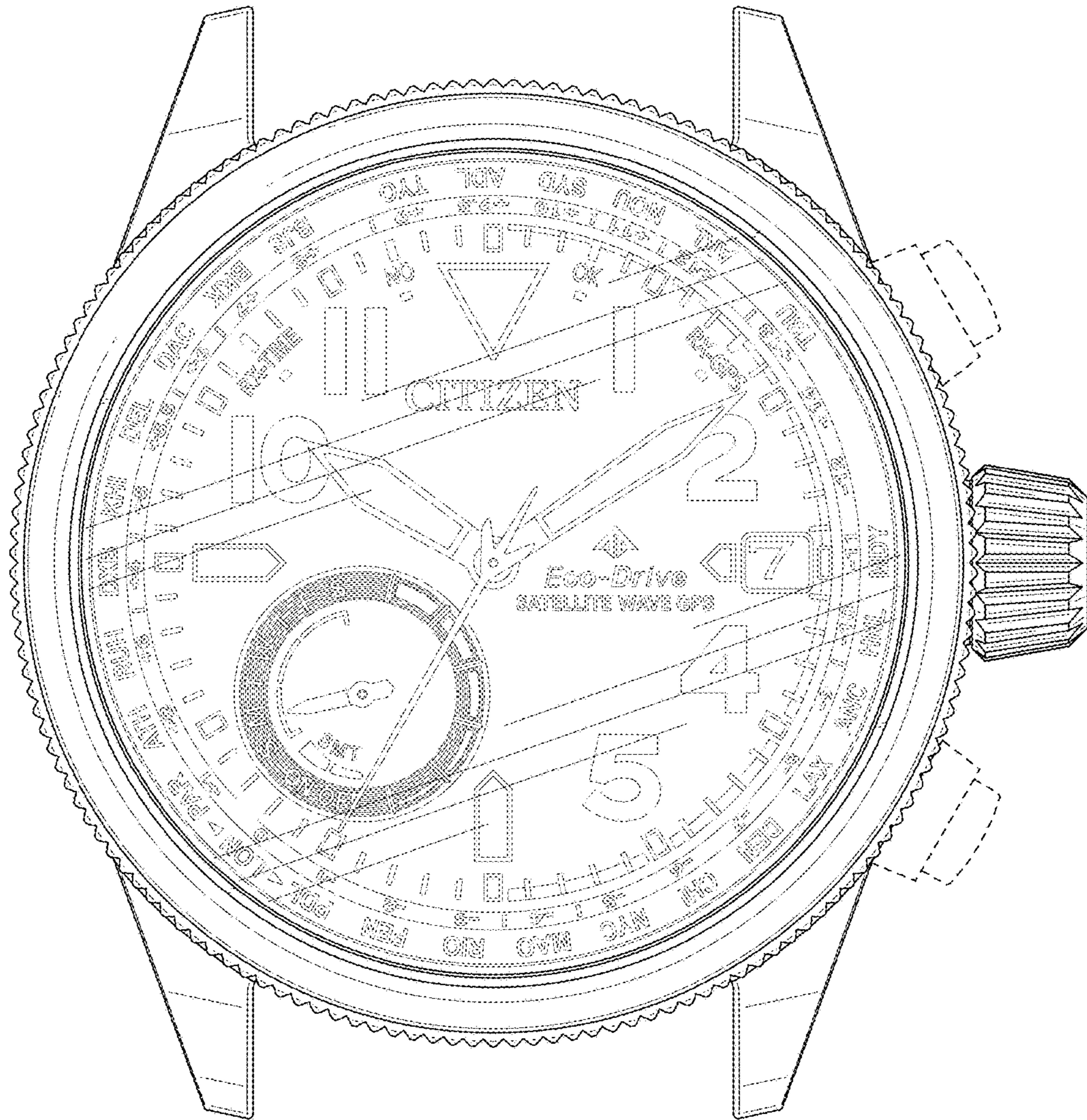


FIG. 2

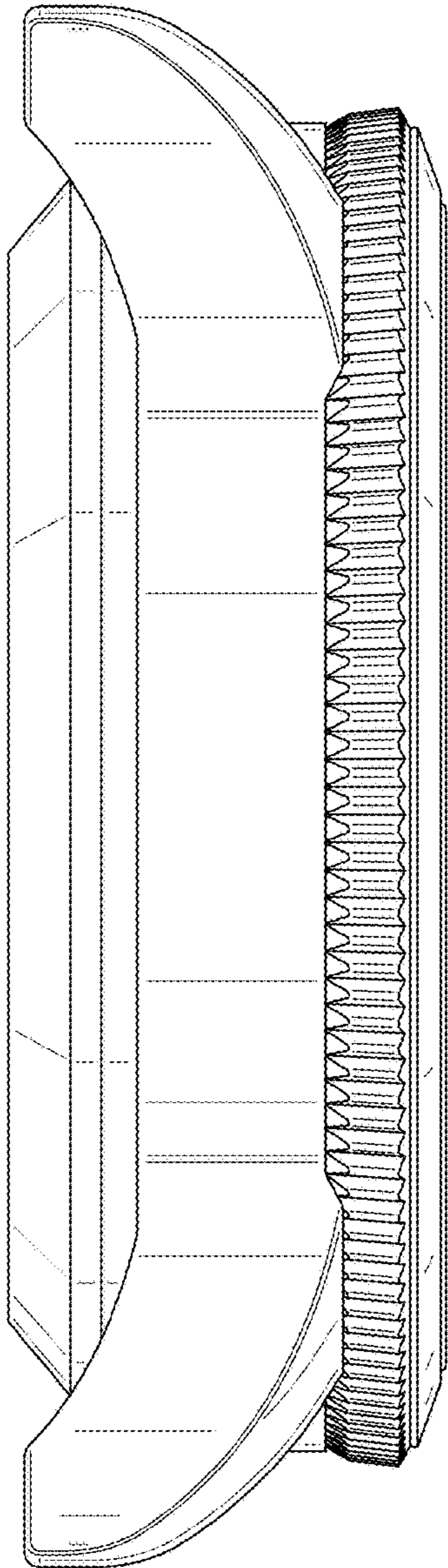


FIG. 3

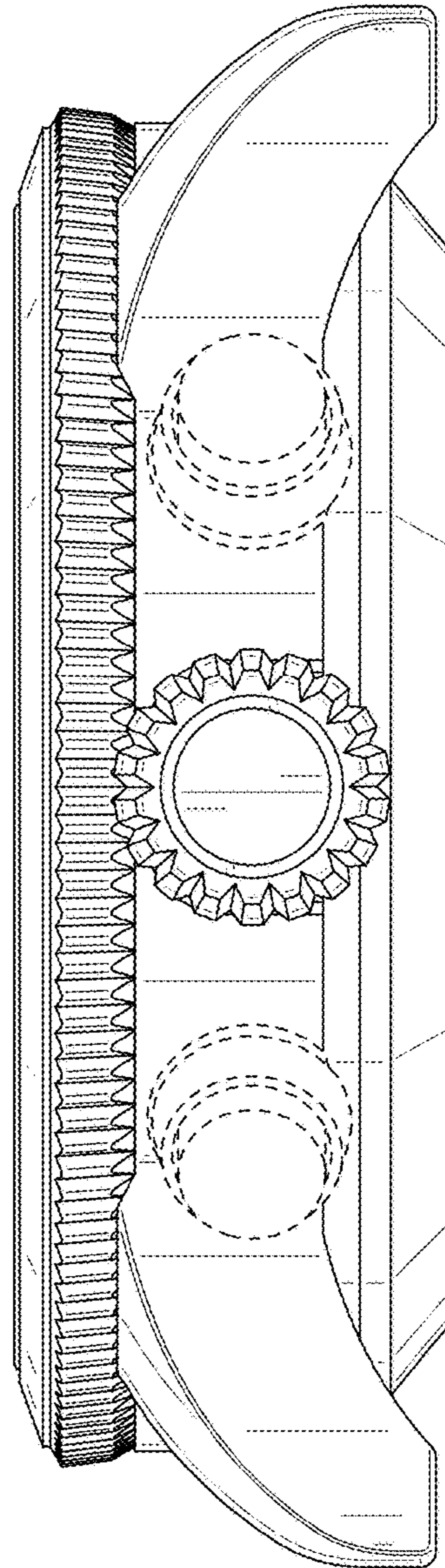


FIG. 4

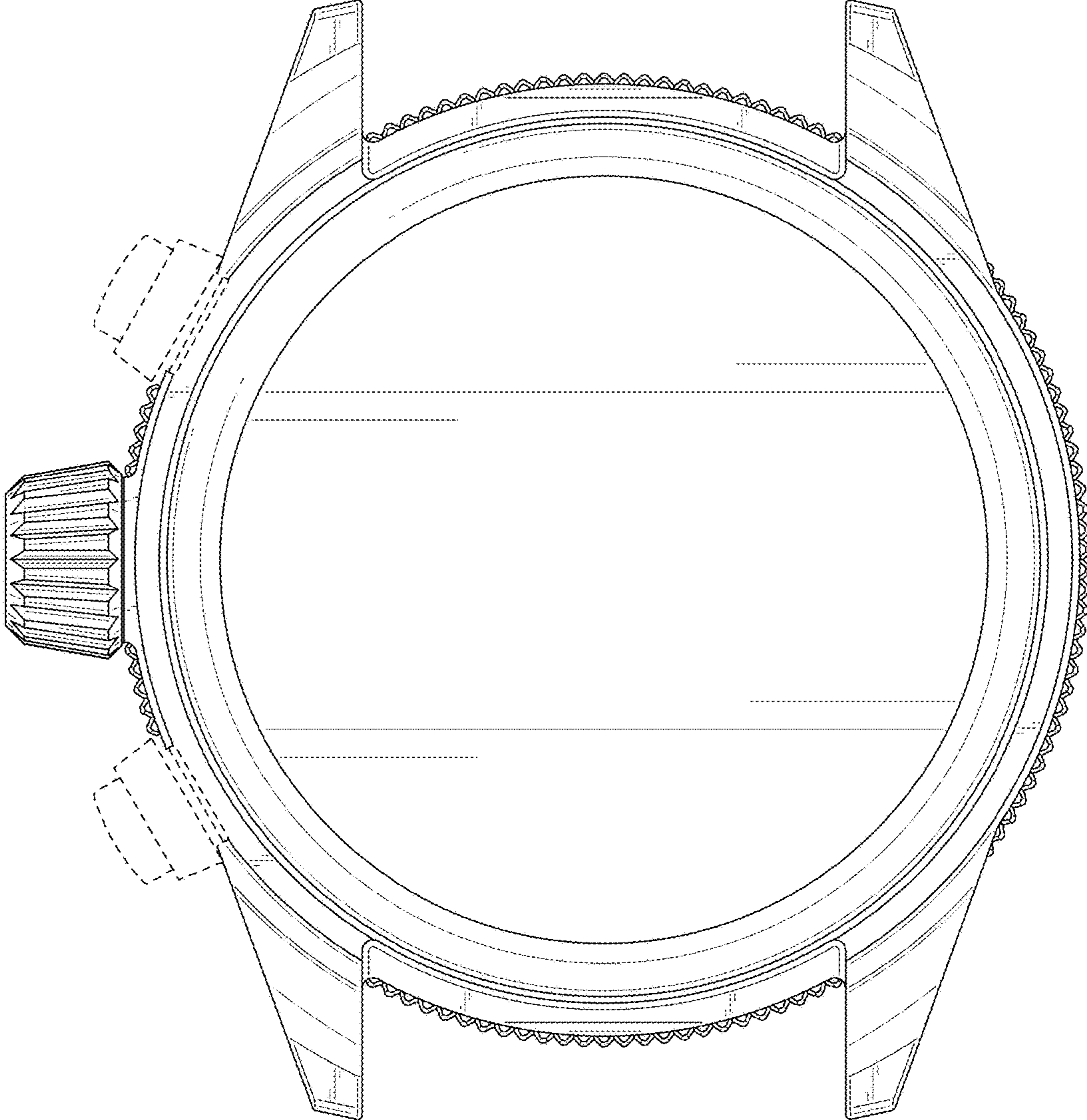


FIG. 5

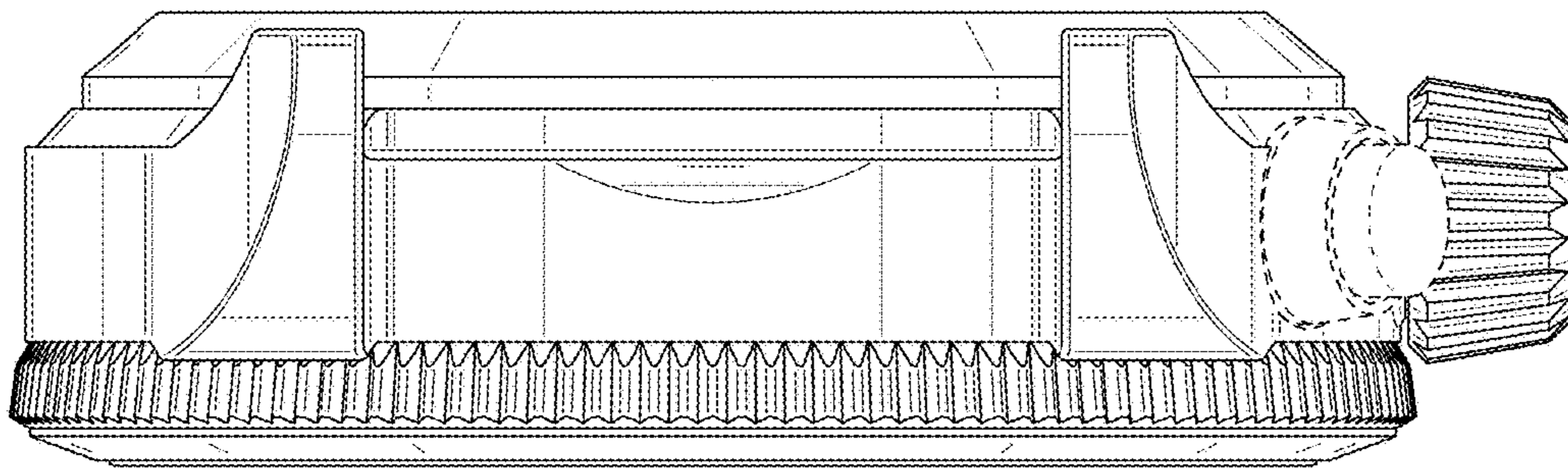


FIG. 6

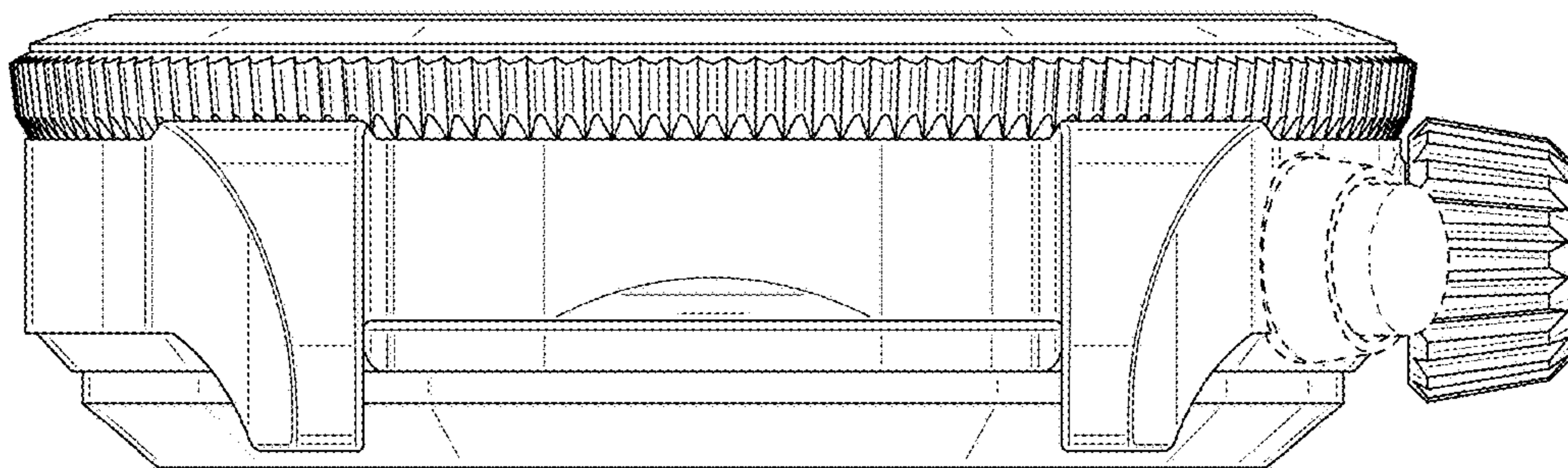


FIG. 7