

US00D866347S

(12) **United States Design Patent** (10) **Patent No.:** **US D866,347 S**
Marti et al. (45) **Date of Patent:** **** *Nov. 12, 2019**

(54) **WATCH BODY**

- (71) Applicant: **Citizen Watch Company of America, Inc.**, New York, NY (US)
- (72) Inventors: **Maria Marti**, Bern (CH); **Florian Strasser**, Mainisberg (CH)
- (73) Assignee: **Citizen Watch Company of America, Inc.**, New York, NY (US)
- (*) Notice: This patent is subject to a terminal disclaimer.
- (**) Term: **15 Years**

- (21) Appl. No.: **29/633,824**
- (22) Filed: **Jan. 16, 2018**
- (51) **LOC (12) Cl.** **10-02**
- (52) **U.S. Cl.**
USPC **D10/30**
- (58) **Field of Classification Search**
USPC D10/30-34, 36-39, 122-128, 132;
D11/3, 16, 40, 80, 89-91, 94;
D14/485-487, 490, 492; D24/167, 186
CPC G04B 19/00; G04B 19/06; G04B 19/065;
G04B 19/08; G04B 19/082; G04B 19/10;
G04B 19/103; G04B 19/12; G04B 47/00;
G04B 47/042; G04B 47/06; G04B 47/04;
G04B 47/063; G04B 19/223; G04B
19/22; G04B 19/283; G04B 37/00; G04B
37/0008; G04B 37/12; G04B 37/1486;
G04B 37/0058; G04B 45/00; G04B
45/0038; G04B 45/0069; G04B 45/0076;
A44C 5/00; A44C 5/0053; G04F 3/04817;
G04F

(Continued)

(56) **References Cited**

U.S. PATENT DOCUMENTS

- D74,134 S * 12/1927 Beckman D10/30
- D152,189 S * 12/1948 Desouches D10/32

(Continued)

OTHER PUBLICATIONS

Bulova Rubaiyat Collection | posted by WATCHIT at youtube.com Aug. 31, 2017 [online][site visited Oct. 19, 2018]. Available from internet: <<https://www.youtube.com/watch?v=xF7-n9hKhjU>> (Year: 2017).*

(Continued)

Primary Examiner — Sandra S Snapp
Assistant Examiner — Katherine Glennon
(74) *Attorney, Agent, or Firm* — Locke Lord LLP;
Christopher J. Capelli; Joshua L. Jones

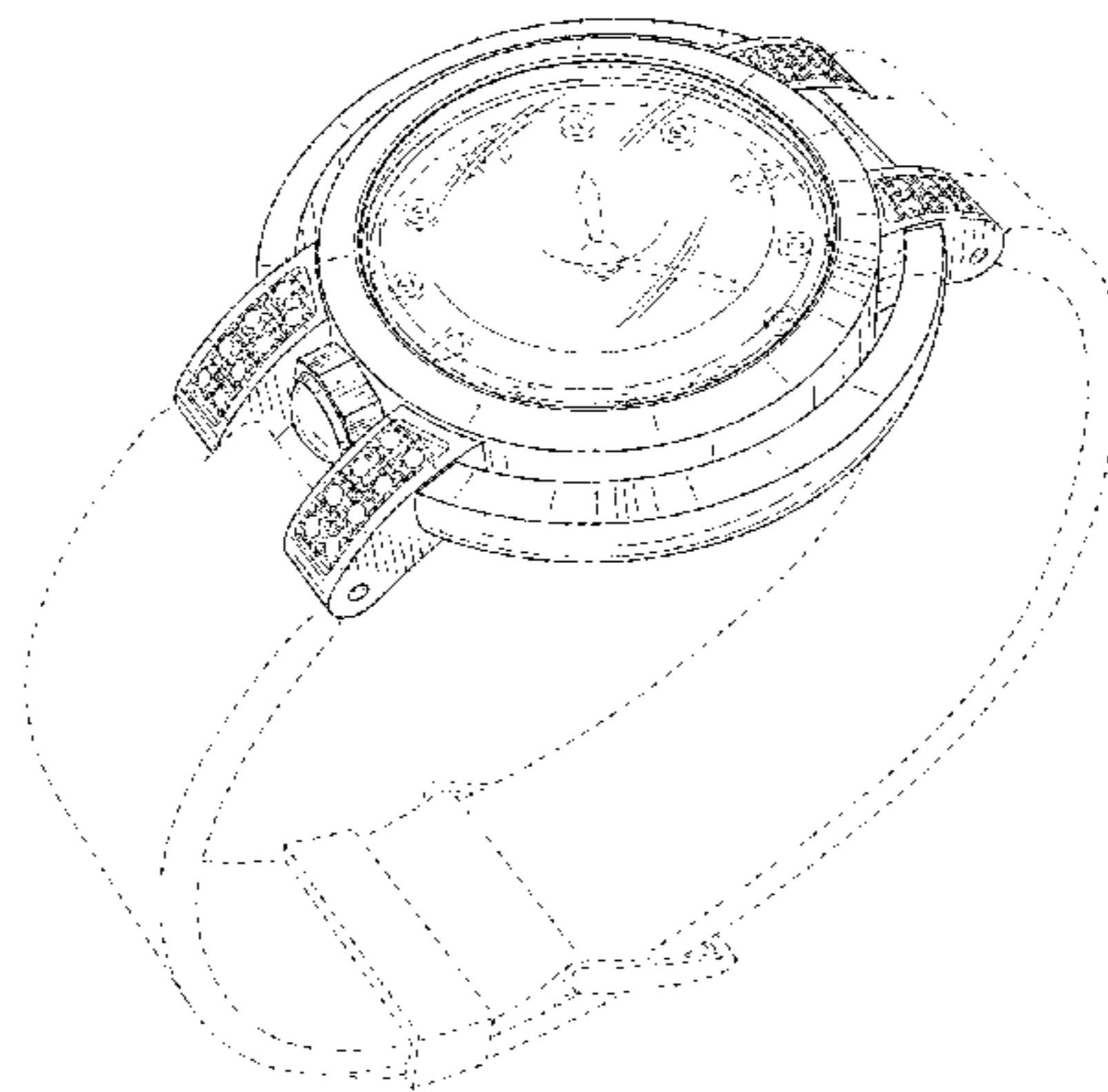
(57) **CLAIM**

The ornamental design for a watch body, as shown and described.

DESCRIPTION

FIG. 1 is a perspective view of a watch body, depicted with a watch band shown in broken lines to indicate that the watch band forms no part of the claimed design;
FIG. 2 is a front elevation view of the watch body shown in FIG. 1;
FIG. 3 is a rear elevation view of the watch body of FIG. 1;
FIG. 4 is a right side elevation view of the watch body of FIG. 1;
FIG. 5 is a left side elevation view of the watch body of FIG. 1;
FIG. 6 is a top plan view of the watch body of FIG. 1;
FIG. 7 is a bottom plan view of the watch body of FIG. 1; and,
FIG. 8 is a perspective view of the watch body shown in FIG. 1, depicted with another watch band shown in broken lines to indicate that the watch band forms no part of the claimed design.
The broken lines shown in FIGS. 1, 2, and 3 illustrate environmental structure only and do not form part of the claimed design.

1 Claim, 7 Drawing Sheets



(58) **Field of Classification Search**

CPC 3/04886; H04N 5/443; H04N 5/445; G04G
9/00; G04G 9/082; G04G 9/088; G04G
9/094; G04G 9/02; G04G 9/04; G04G
9/06

See application file for complete search history.

(56) **References Cited**

U.S. PATENT DOCUMENTS

D348,223 S * 6/1994 Magninat D10/126
D390,788 S * 2/1998 Parmigiani D10/30
D399,759 S * 10/1998 Kennedy D10/30
D416,814 S * 11/1999 Welsh D10/31
D464,272 S * 10/2002 Man D10/30
D500,450 S * 1/2005 Strasser D10/30
D507,974 S * 8/2005 Strasser D10/30
D509,759 S * 9/2005 Scheufele D10/39
D512,654 S * 12/2005 Scheufele D10/39
D514,960 S * 2/2006 Deleskiewicz D10/38
D546,715 S * 7/2007 Gruosi-Scheufele D10/39
D546,718 S * 7/2007 Gruosi-Scheufele D10/39
D560,513 S * 1/2008 Glassman D10/39
D586,240 S * 2/2009 Reginelli D10/32
D592,978 S * 5/2009 Bulgari D10/32
D592,980 S * 5/2009 Laucella D10/39
D615,881 S * 5/2010 Chastaingt D10/39
D627,240 S * 11/2010 Strasser D10/30
D631,374 S * 1/2011 Hegi D10/38
D675,940 S * 2/2013 Sasaki D10/32

D690,208 S * 9/2013 Sasaki D10/32
D690,209 S * 9/2013 Kawashima D10/32
D704,077 S * 5/2014 Monachon D10/32
D727,177 S * 4/2015 Abdourahim D10/39
D729,077 S * 5/2015 Kamilindi D10/39
D735,058 S * 7/2015 Graff D10/30
D737,692 S * 9/2015 Yoshida D10/32
D758,887 S * 6/2016 Sasaki D10/128
D759,504 S * 6/2016 Sugiura D10/128
D765,533 S * 9/2016 Gueit D10/128
D780,017 S * 2/2017 Yatsugi-Kang D11/34
D781,721 S * 3/2017 Abdourahim D10/38
D792,800 S * 7/2017 Kwon D11/34
D793,876 S * 8/2017 Lasserre D10/38
D793,878 S * 8/2017 Blootacker D10/38
D794,497 S * 8/2017 Galli D11/34
D796,347 S * 9/2017 Yoshida D10/30
D800,581 S * 10/2017 Valzan D10/30
D808,851 S * 1/2018 Kwon D11/40
D811,921 S * 3/2018 Rabassa D10/132
D813,689 S * 3/2018 Yoshida D10/30
D828,183 S * 9/2018 Dominguez D10/2

OTHER PUBLICATIONS

Rubaiyat Collection | posted at firstclasswatches.co.uk Oct. 11, 2017 © 2018 [online][site visited Oct. 19, 2018]. Available from internet: <<https://www.firstclasswatches.co.uk/blog/2017/10/introducing-rubaiyat-collection/>> (Year: 2017).*

* cited by examiner

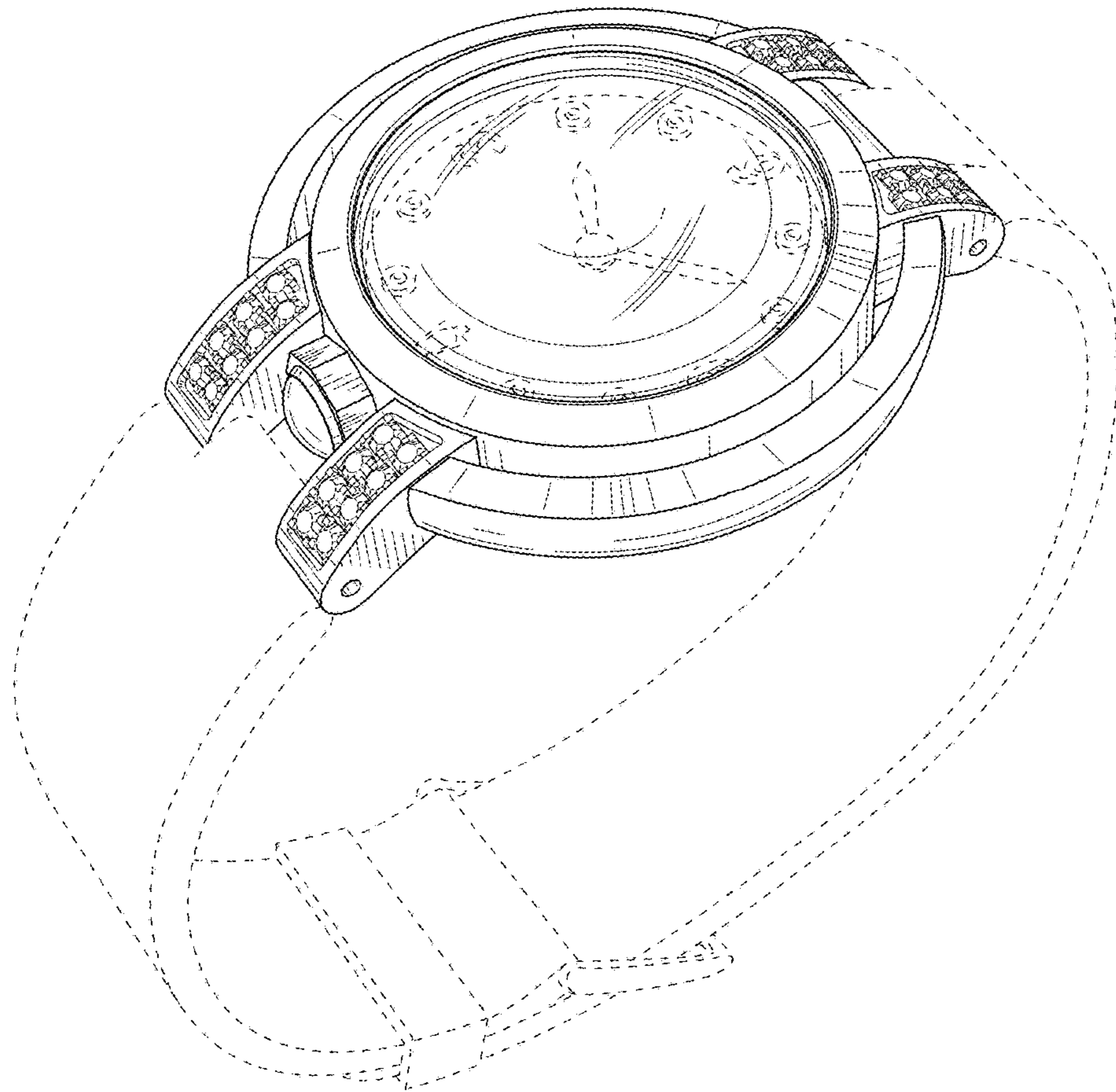


FIG. 1

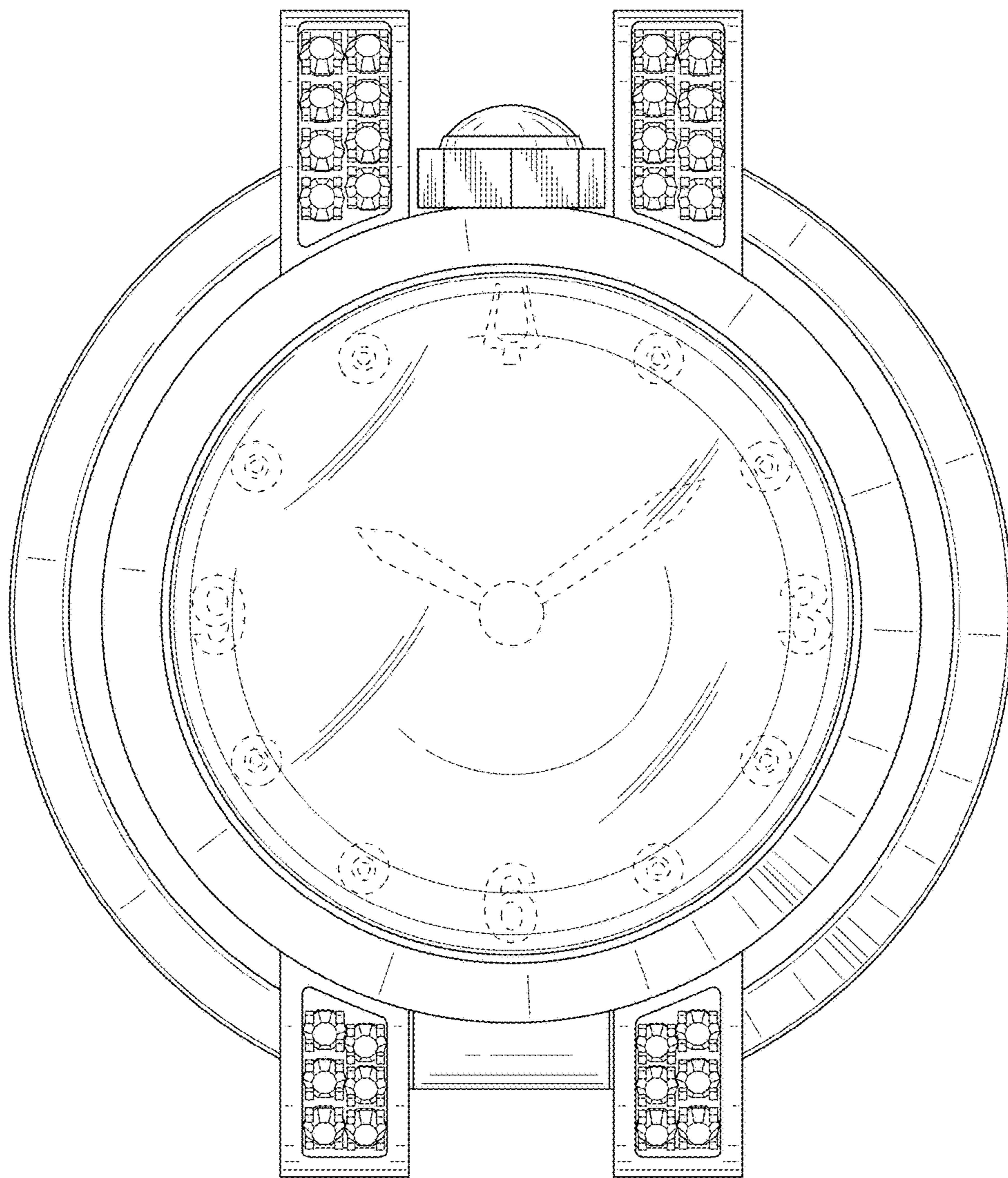


FIG. 2

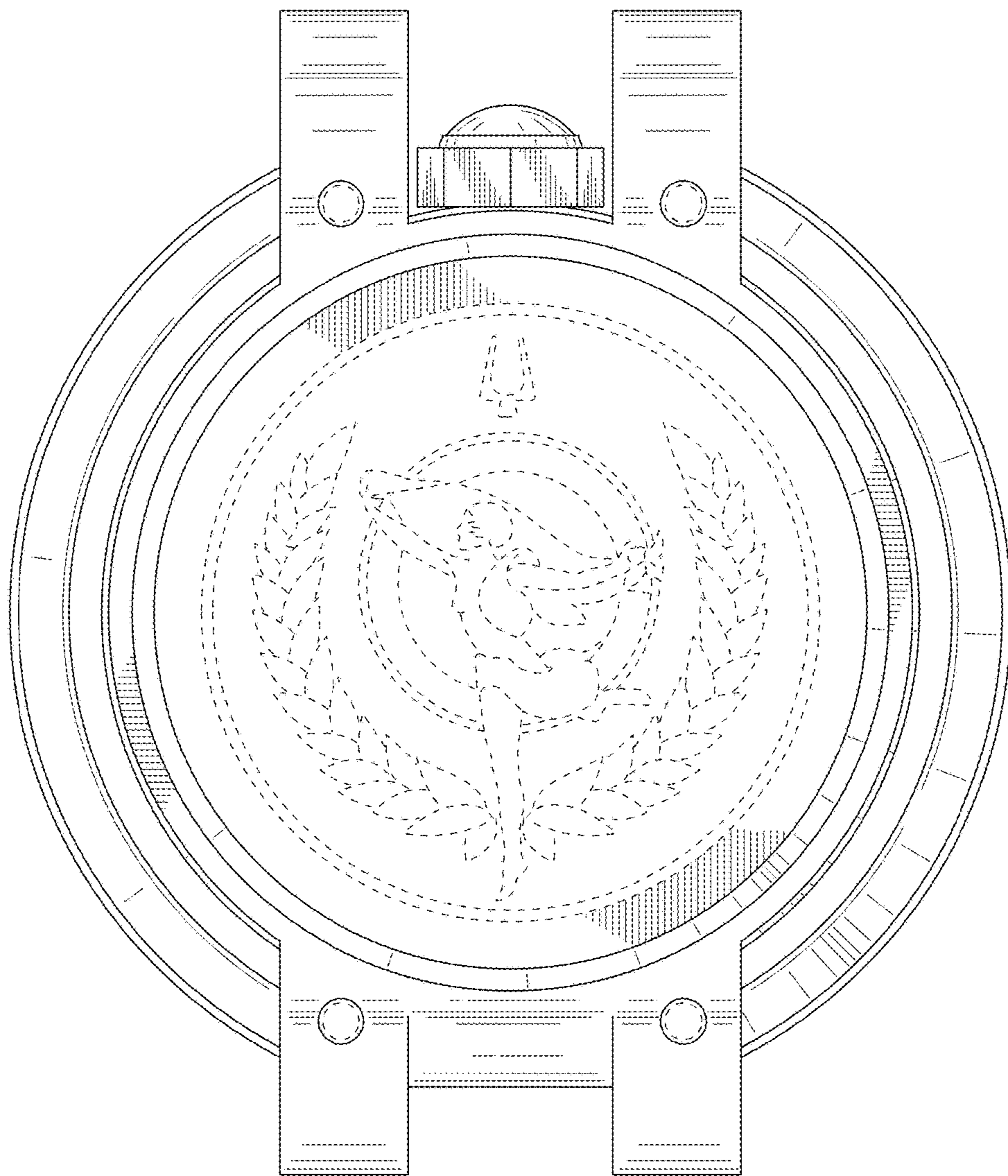


FIG. 3

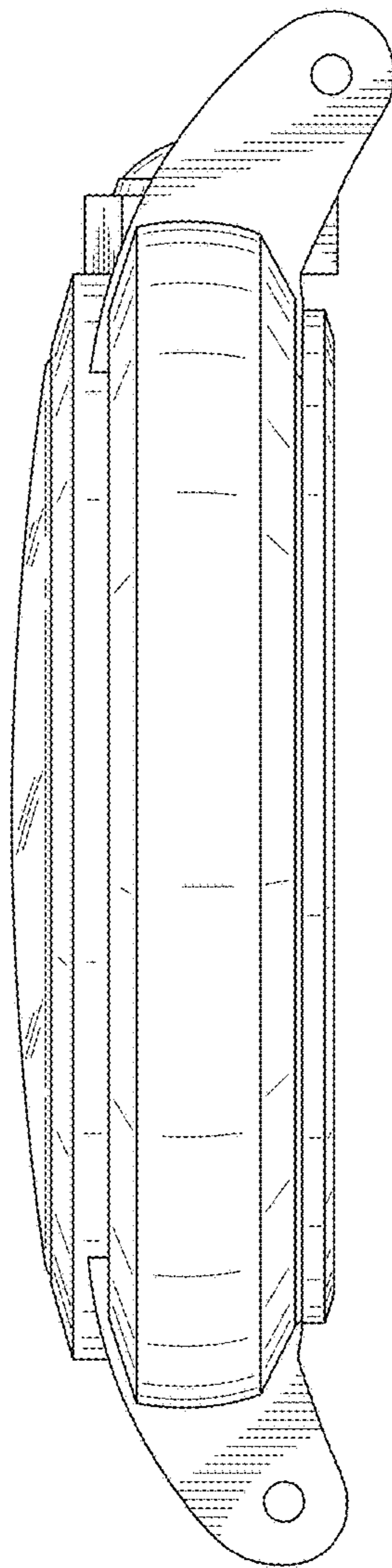


FIG. 4

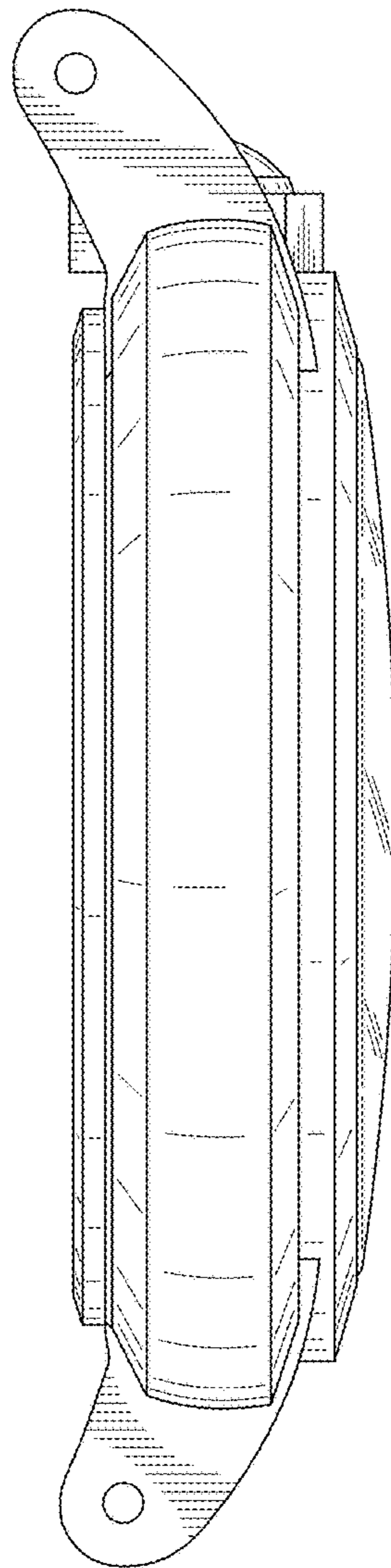


FIG. 5

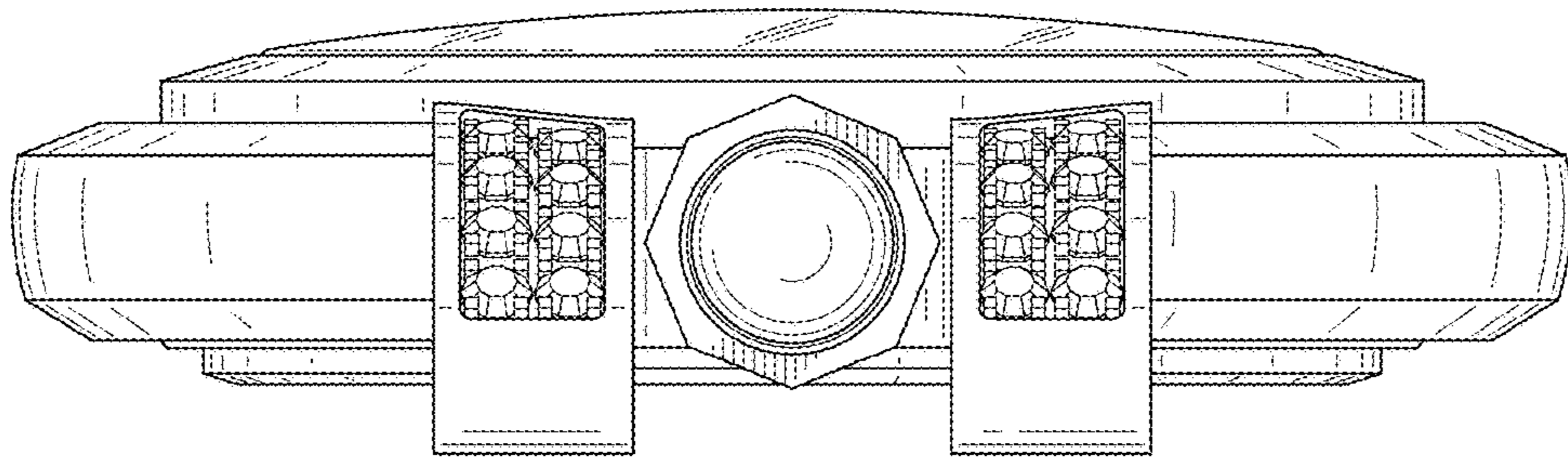


FIG. 6

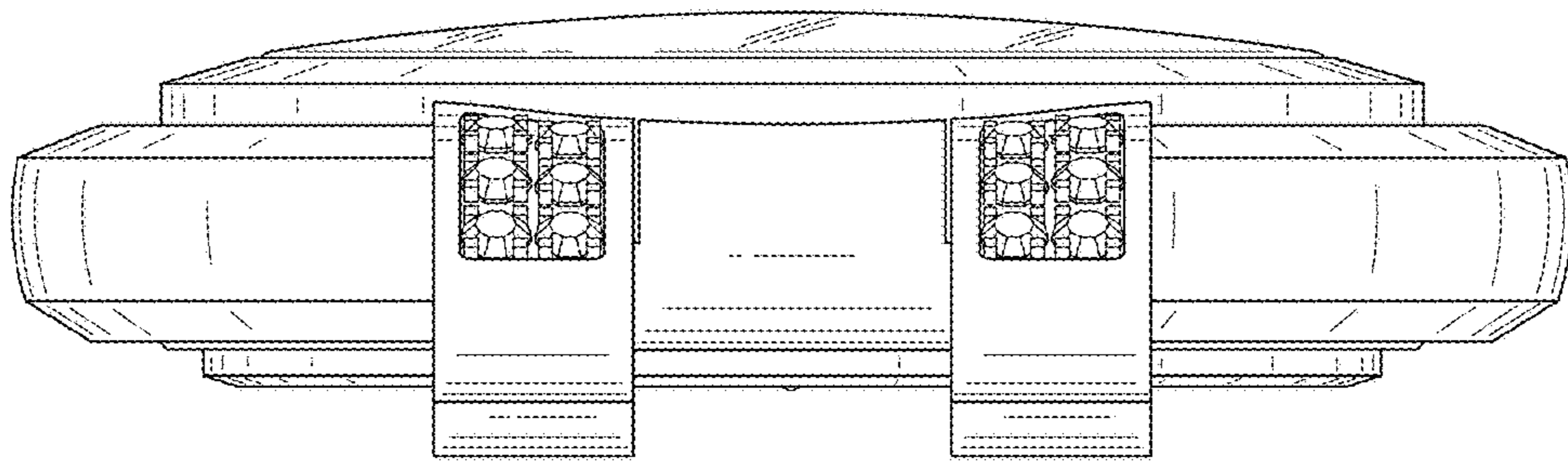


FIG. 7

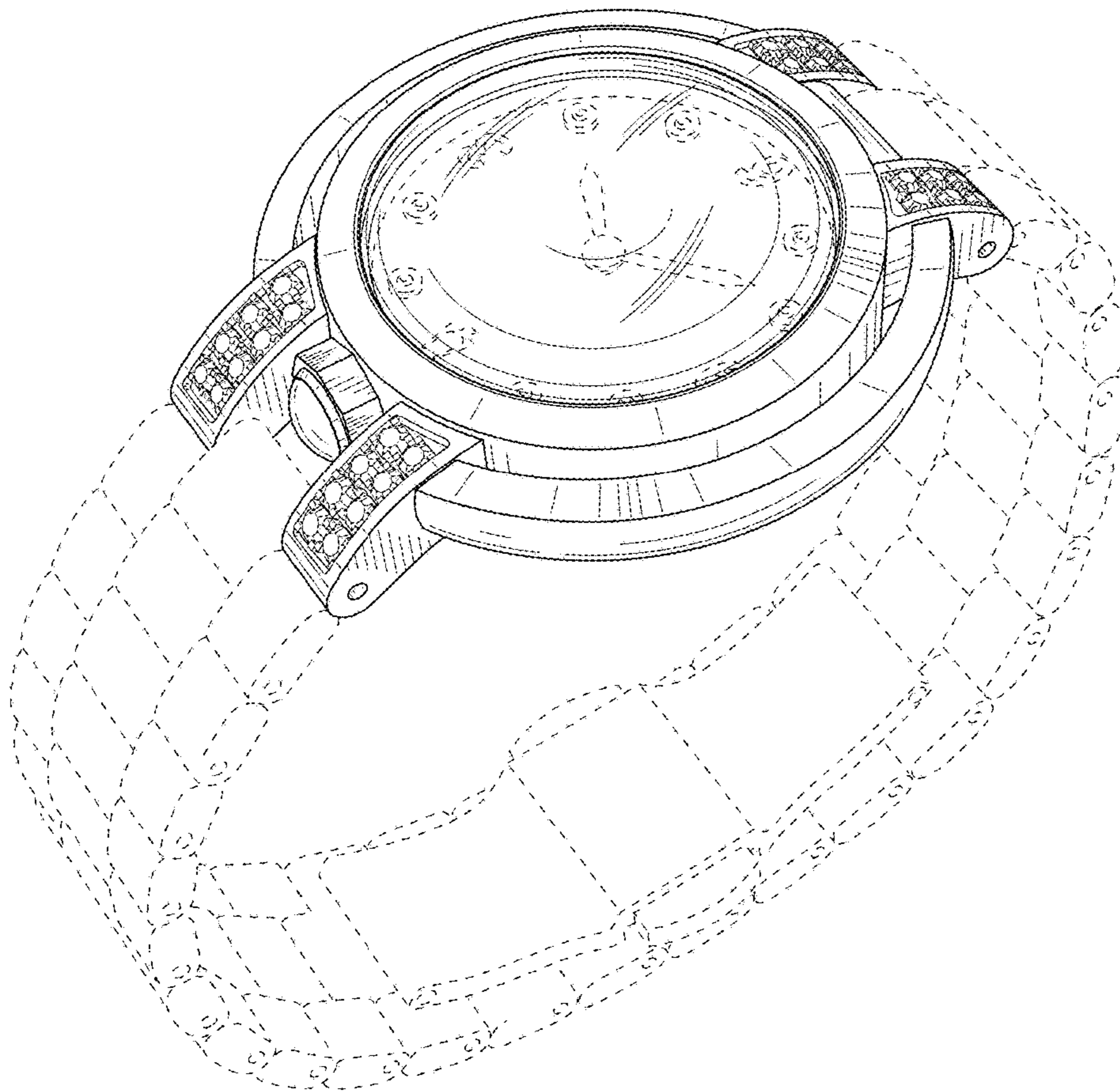


FIG. 8