

US00D866343S

(12) **United States Design Patent**
Ouzounian et al.

(10) **Patent No.:** **US D866,343 S**

(45) **Date of Patent:** **** Nov. 12, 2019**

(54) **RETRACTABLE BAG**

D562,551 S * 2/2008 Liu D3/246
D782,919 S * 4/2017 Grabell D9/706

(71) Applicant: **FASHION BROS, INC.**, Granada Hills, CA (US)

* cited by examiner

(72) Inventors: **Harout Ouzounian**, Granada Hills, CA (US); **Paul Ouzounian**, Granada Hills, CA (US); **Liza Ouzounian**, Granada Hills, CA (US)

Primary Examiner — Abraham Bahta

(74) *Attorney, Agent, or Firm* — Tommy S F Wang; Wang IP Law Group, P.C.

(**) Term: **15 Years**

(21) Appl. No.: **29/666,613**

(22) Filed: **Oct. 15, 2018**

(51) **LOC (12) Cl.** **09-05**

(52) **U.S. Cl.**
USPC **D9/702**

(58) **Field of Classification Search**
USPC D9/702-714, 720-722, 435, 415-416, D9/430-433, 414, 424, 499; 383/104, 383/120-121, 107, 114, 61.1, 61.2, 64, 383/103, 210.1, 66, 62; 229/200, 201, 229/125.15, 213, 80; 222/107; D3/303, D3/273, 232, 203.1; 426/106; 206/541, 206/223, 524.8; 220/495.03; 53/456, 53/459, 405; 283/81, 100-101; 428/34.3; 493/212-213, 186; 24/415, 24/585.12, DIG. 11, 30.5 R, 30.5 L, 24/585.1, 399, 387
CPC B65D 33/00; B65D 33/16; B65D 33/12; B65D 5/00; B65D 5/06; A45C 1/00; A45C 1/02; A45C 1/06; A45C 1/10
See application file for complete search history.

(56) **References Cited**

U.S. PATENT DOCUMENTS

D234,043 S * 1/1975 Vetter D9/704
D360,824 S * 8/1995 Ossendryver D9/709

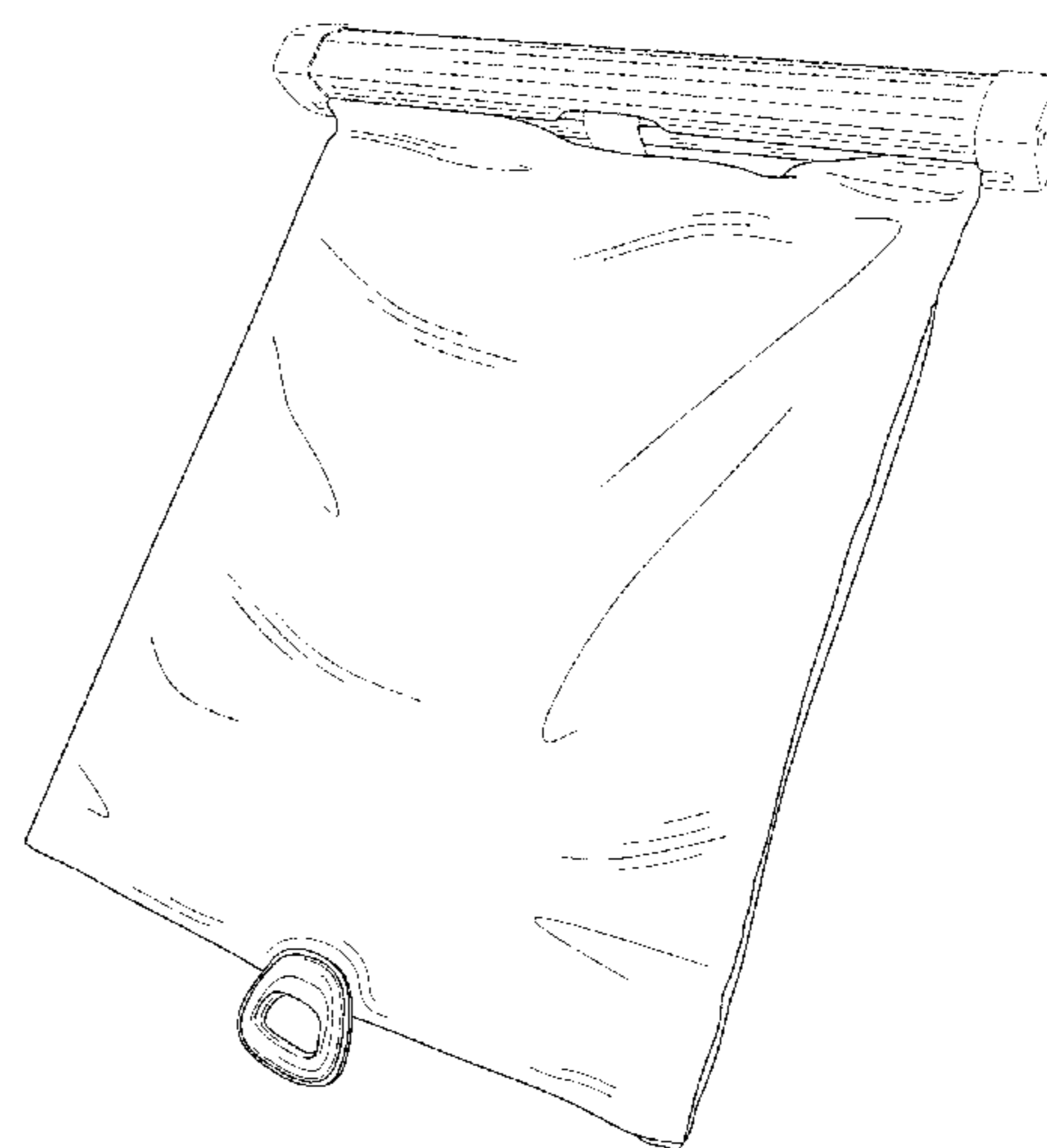
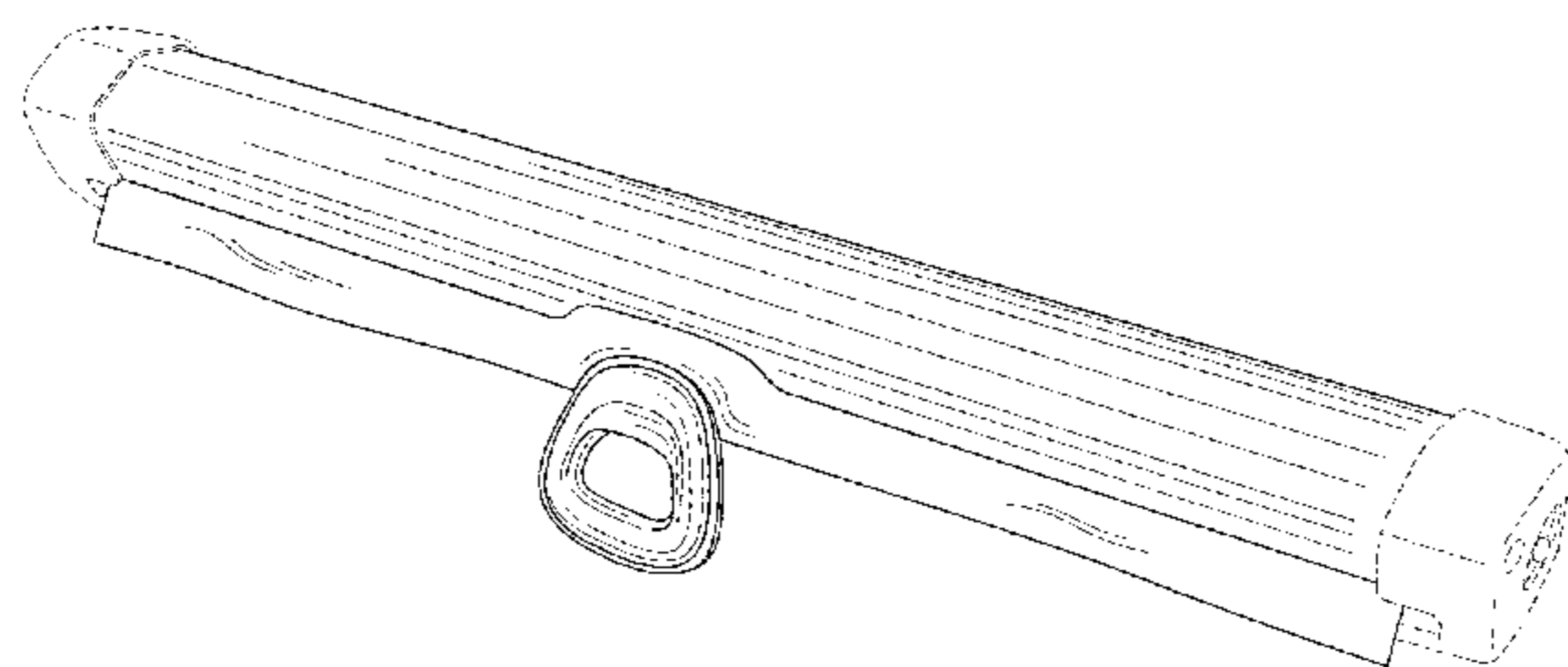
(57) **CLAIM**

The ornamental design for a retractable bag, as shown and described.

DESCRIPTION

FIG. 1 is a perspective view of a retractable bag showing our new design;
FIG. 2 is a front view thereof;
FIG. 3 is a rear view thereof;
FIG. 4 is a left side view thereof;
FIG. 5 is a right side view thereof;
FIG. 6 is a top view thereof;
FIG. 7 is a bottom view thereof;
FIG. 8 is a perspective view of the retractable bag wherein the bag is in a retracted position;
FIG. 9 is a front view thereof;
FIG. 10 is a rear view thereof;
FIG. 11 is a left side view thereof;
FIG. 12 is a right side view thereof;
FIG. 13 is a top view thereof;
FIG. 14 is a bottom view thereof;
FIG. 15 is another perspective view of the retractable bag wherein the bag is in a retracted and open condition; and,
FIG. 16 is another perspective view of the retractable bag wherein the bag is in a retracted and open condition.
The broken line portions of the retractable bag in FIGS. 1-16 represent unclaimed portions of the claimed design and form no part thereof.

1 Claim, 11 Drawing Sheets



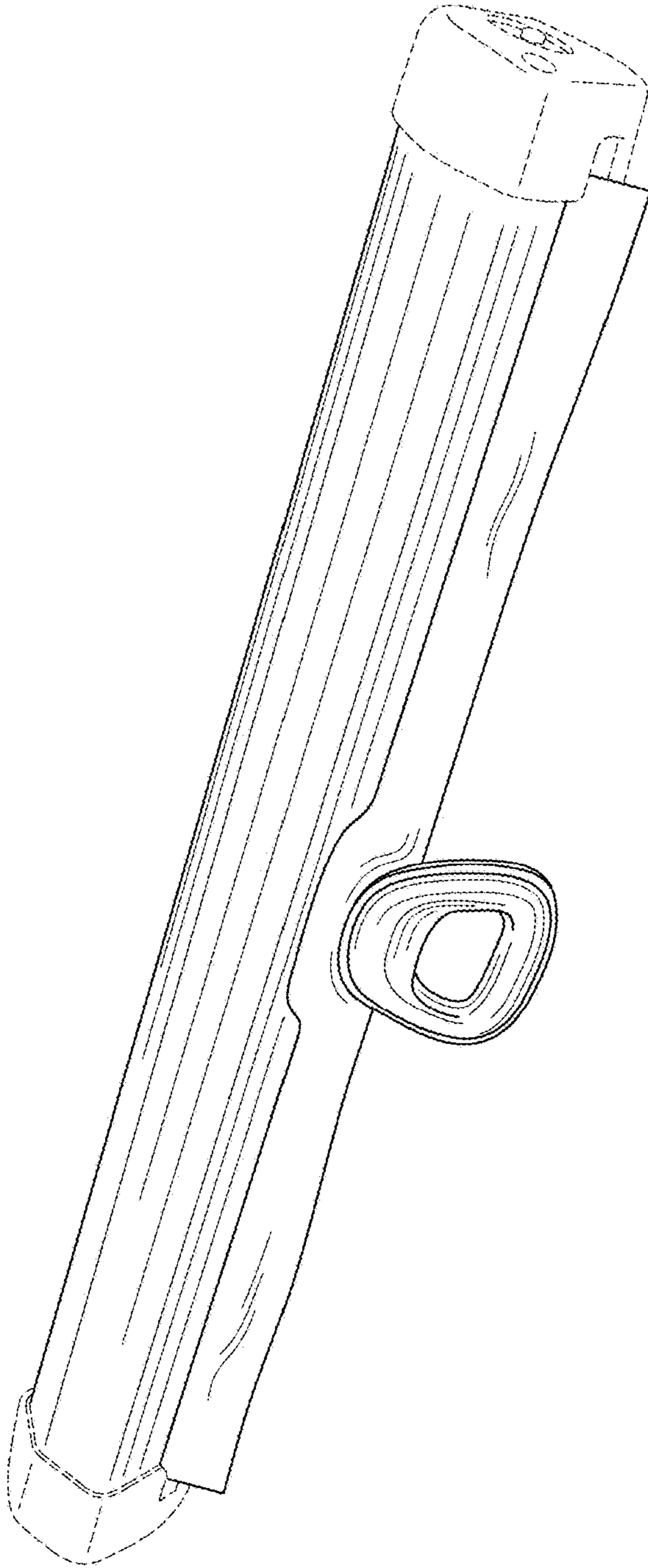


FIG. 1

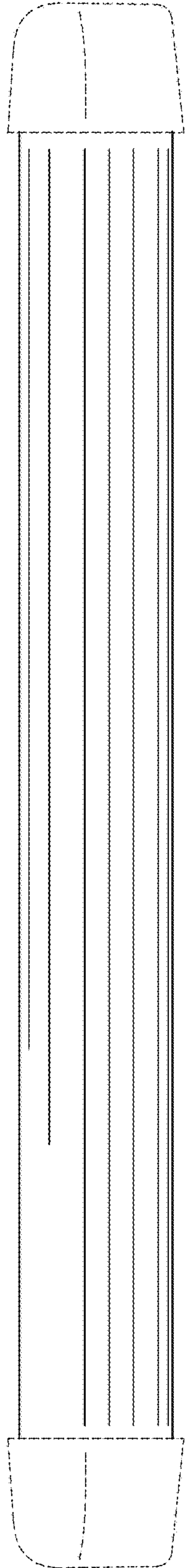


FIG. 2

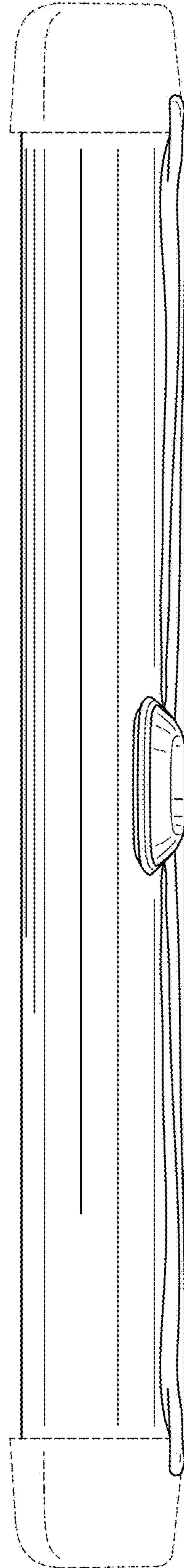


FIG. 3

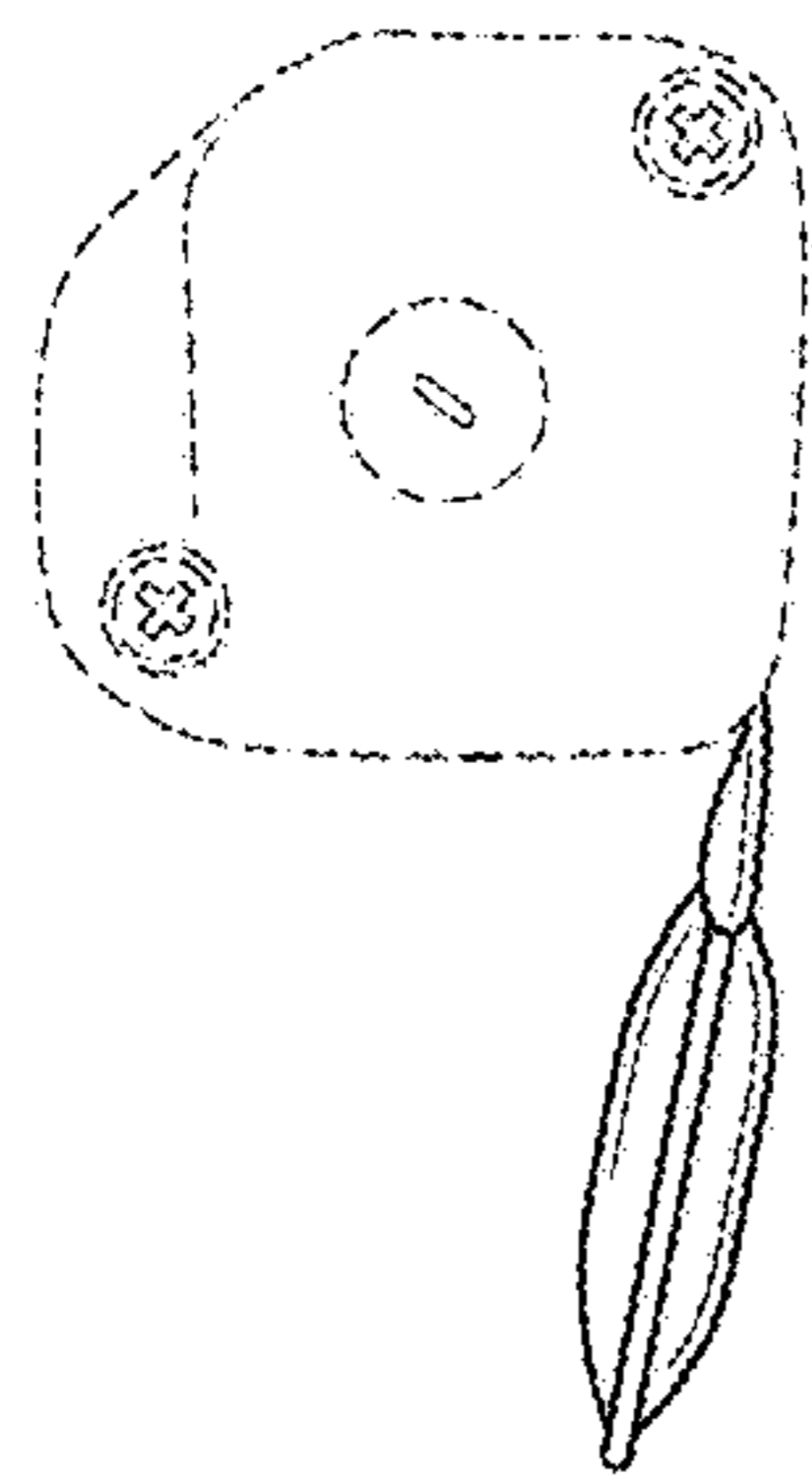


FIG. 4

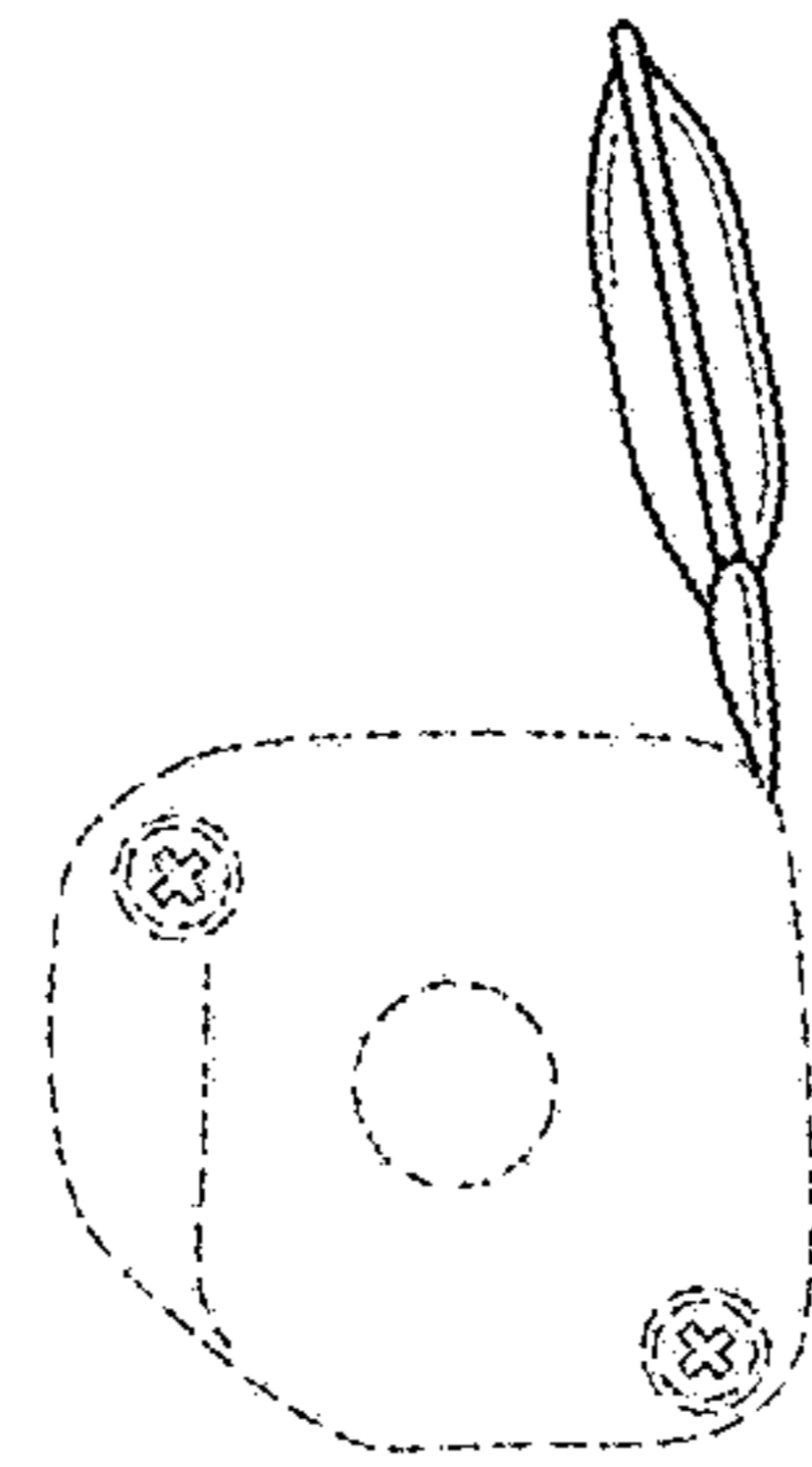


FIG. 5

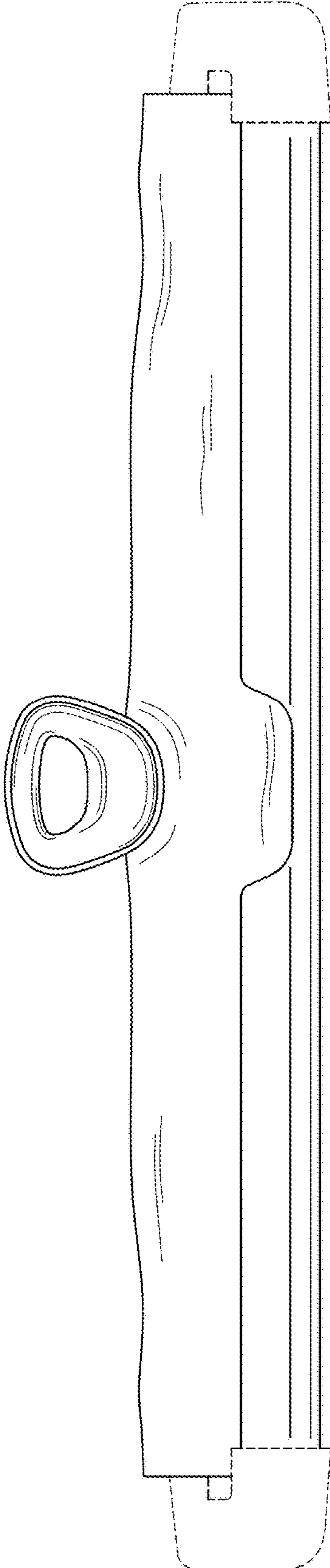


FIG. 6

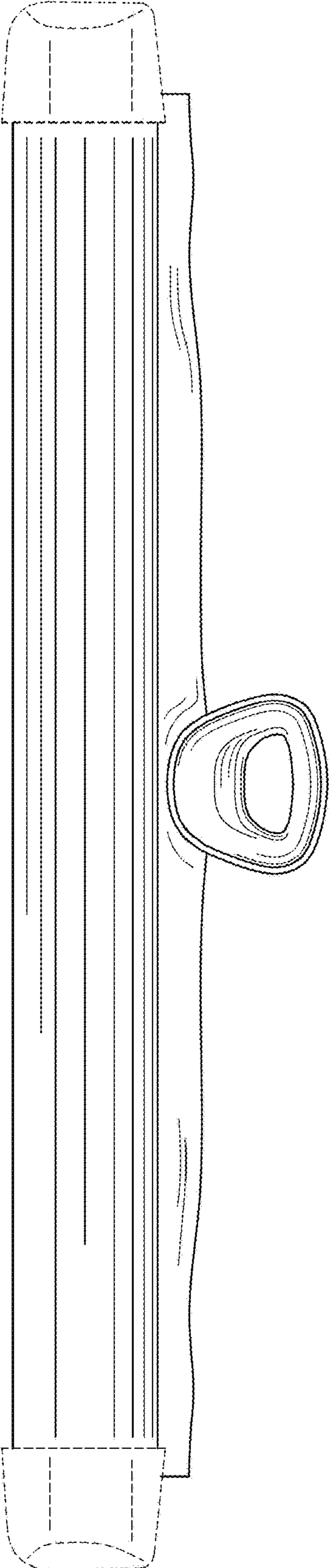


FIG. 7

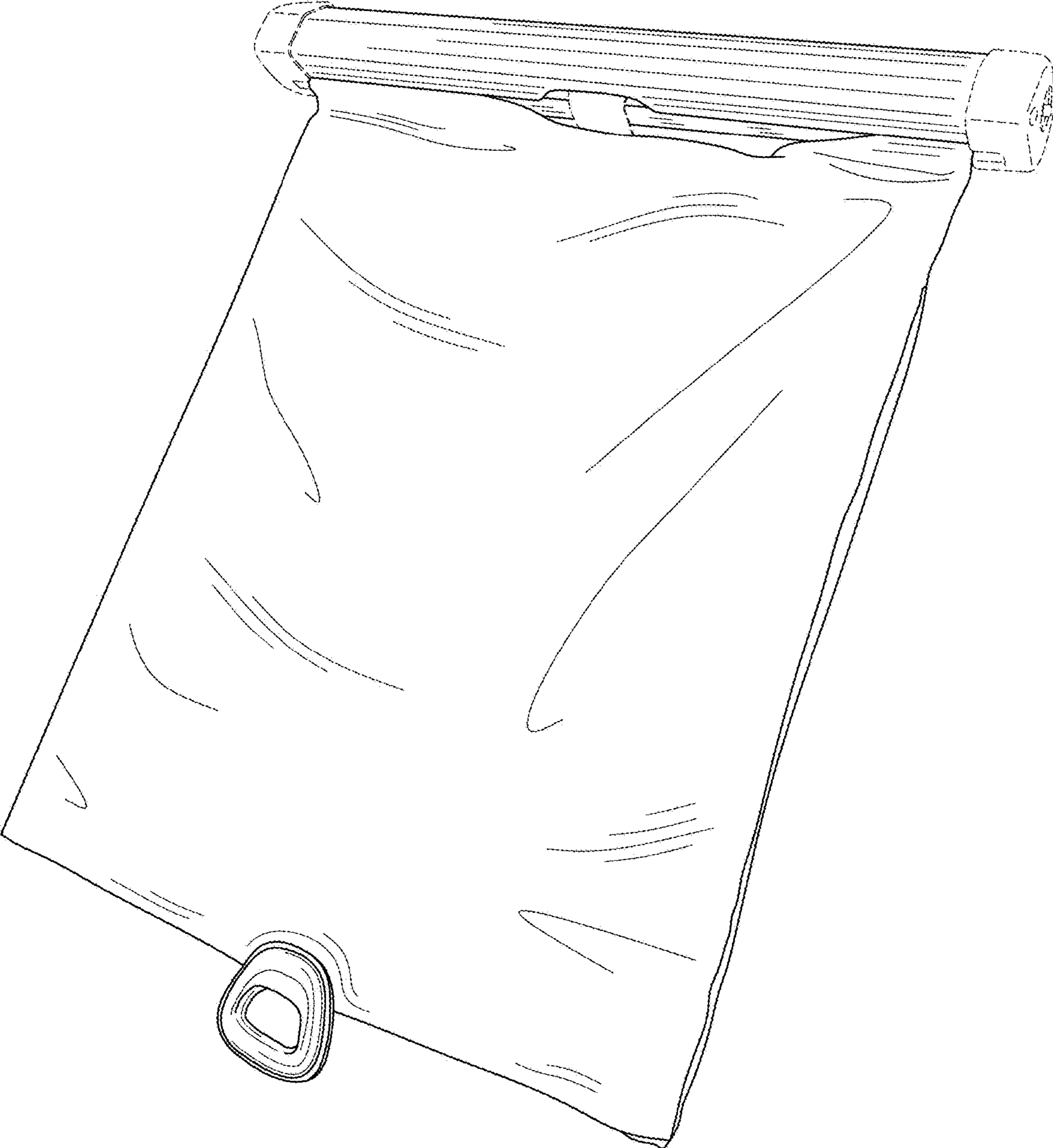


FIG. 8

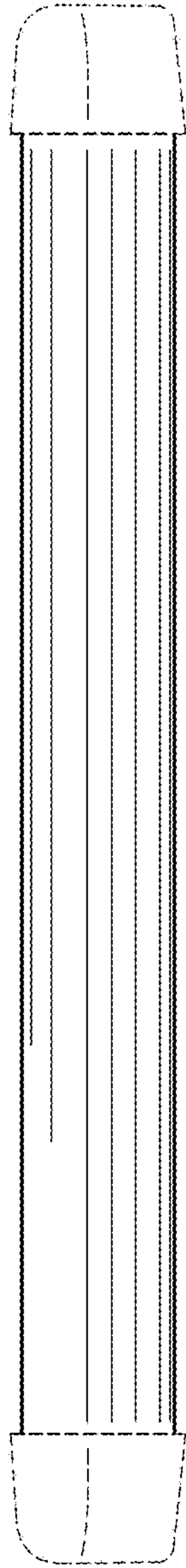


FIG. 9

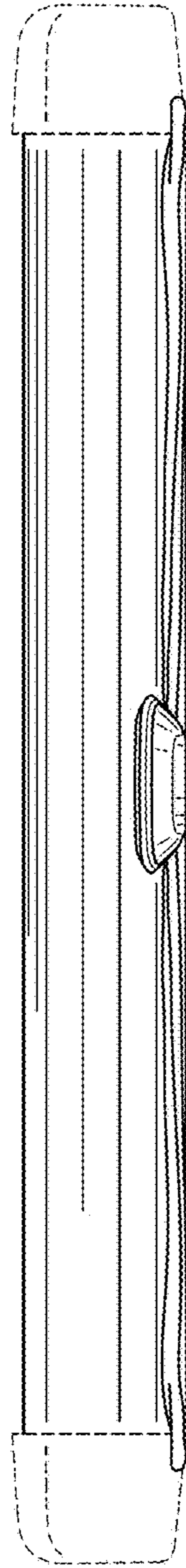


FIG. 10



FIG. 11



FIG. 12

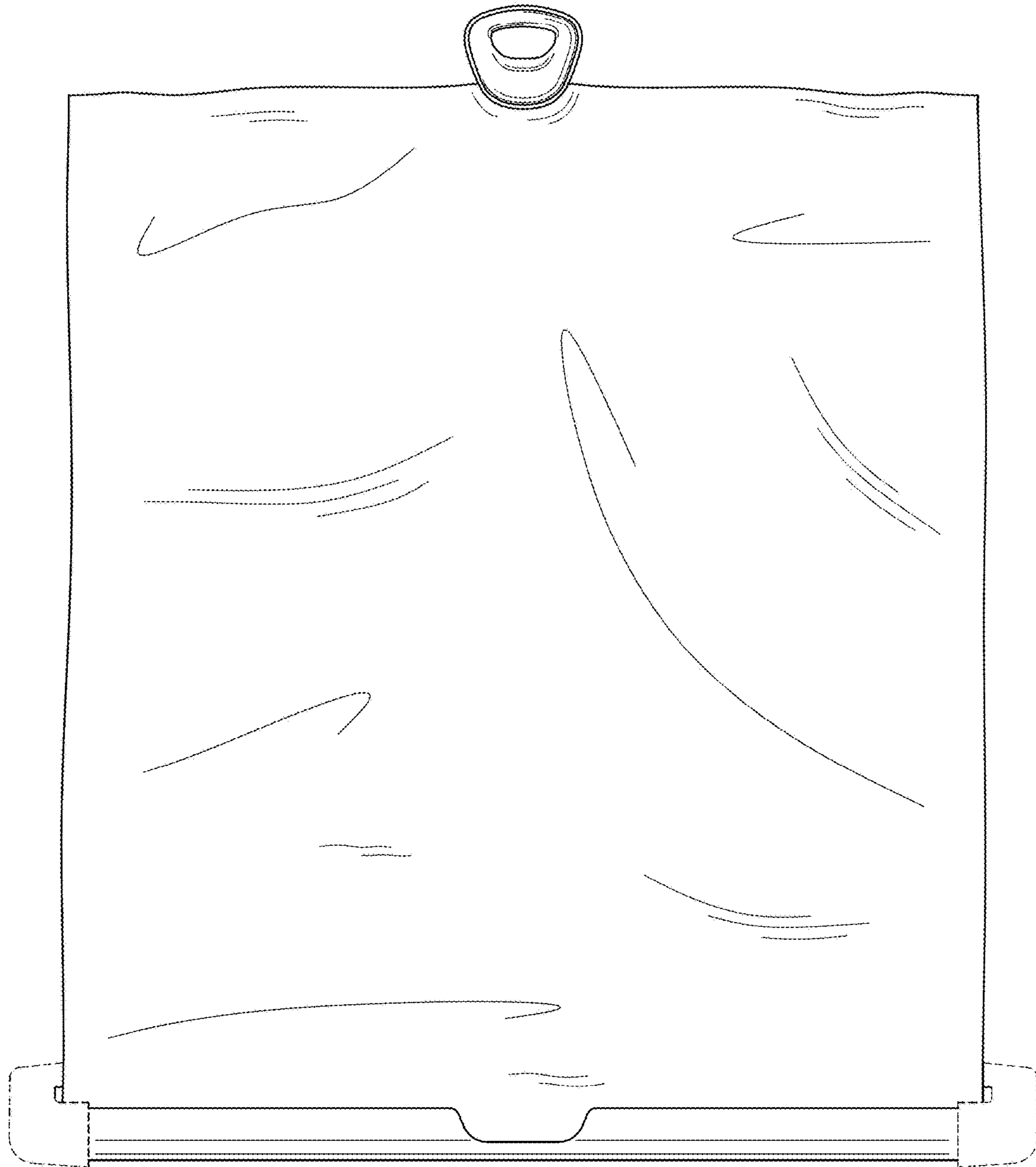


FIG. 13

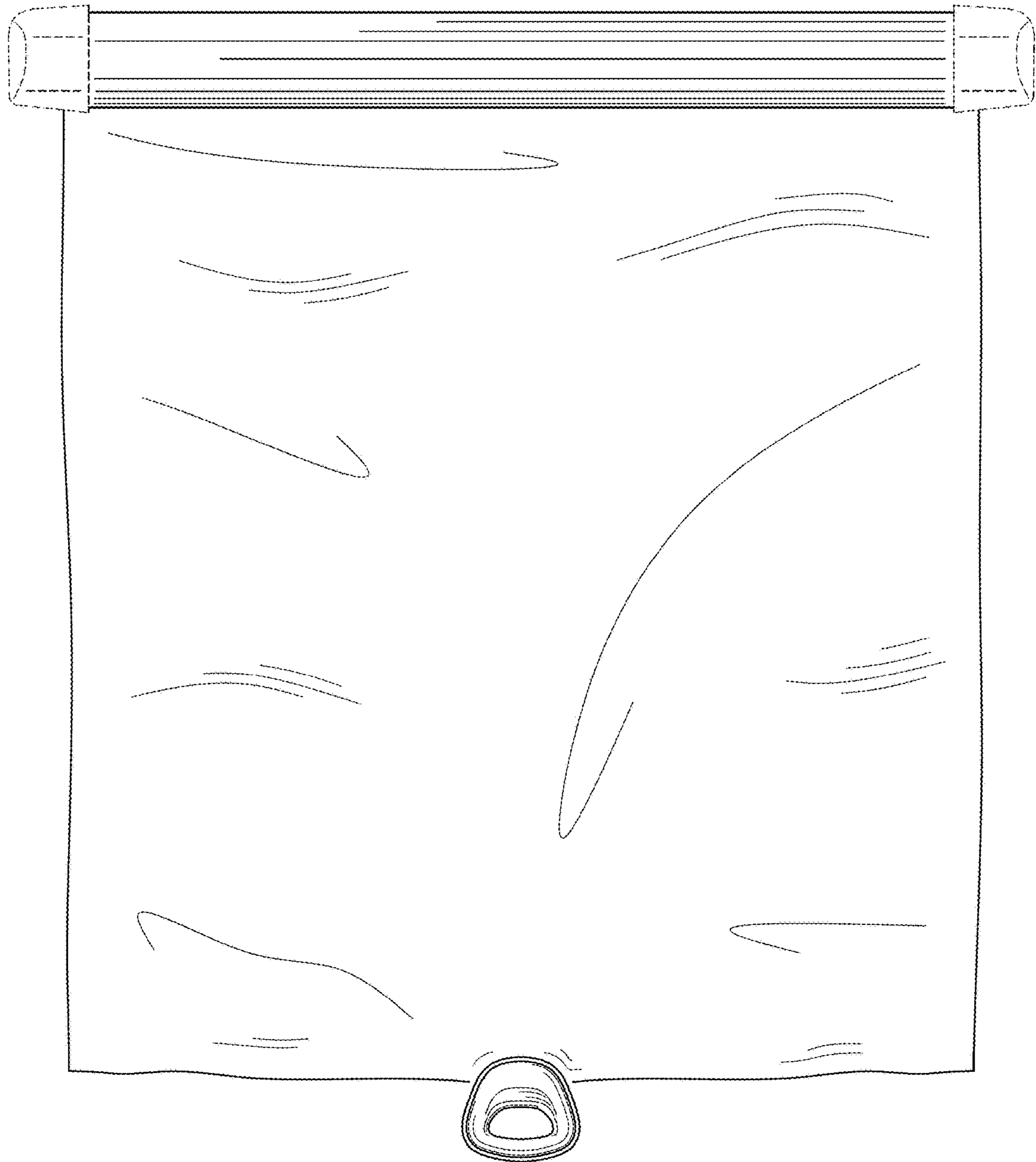


FIG. 14

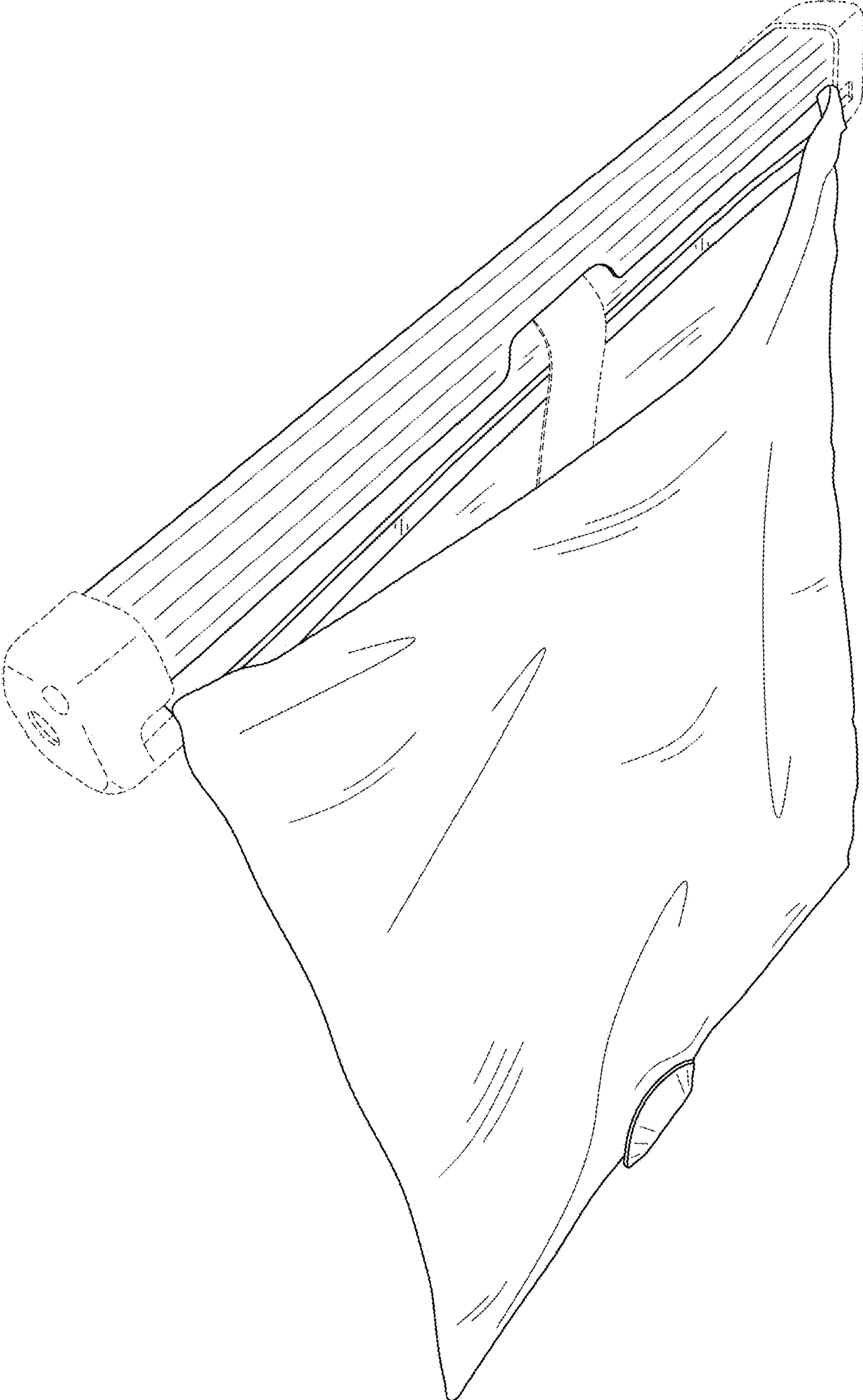


FIG. 15

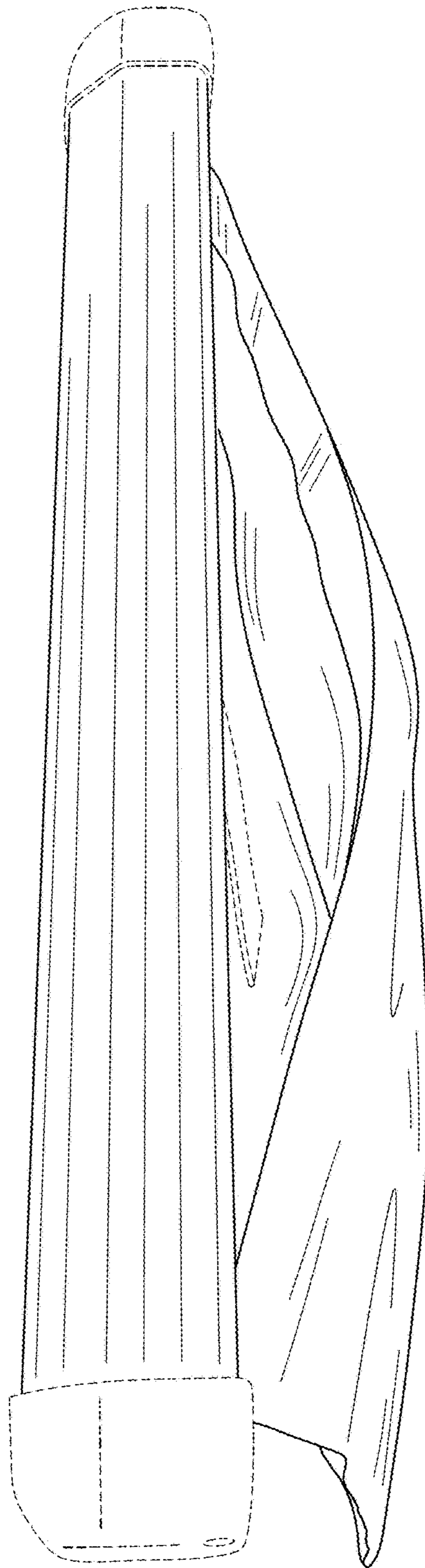


FIG. 16