



US00D866341S

(12) **United States Design Patent** (10) **Patent No.:** **US D866,341 S**  
**Sofer** (45) **Date of Patent:** **\*\* Nov. 12, 2019**

(54) **HEART-SHAPED PERFUME BOTTLE WITH A FLAT CAP AND HEART-SHAPED SEDIMENTS**

(71) Applicant: **Brands It Is**, Henderson, NV (US)

(72) Inventor: **Joel Sofer**, Monroe, NY (US)

(73) Assignee: **Brands It Is, LLC**, Henderson, NV (US)

(\*\*) Term: **15 Years**

(21) Appl. No.: **29/634,592**

(22) Filed: **Jan. 23, 2018**

(51) **LOC (12) Cl.** ..... **09-01**

(52) **U.S. Cl.**

USPC ..... **D9/629**

(58) **Field of Classification Search**

USPC ..... D3/270, 271.1–271.4; D7/510, 514–520, D7/599, 604, 613, 619.2, 623, 628, D7/392–392.1, 667; D9/600, 629, 632, D9/715, 719, 434–454; 206/457, 459.5, 206/527; 215/381–384, 400

CPC ..... B65D 5/42; B65D 5/4258; B65D 81/60; B65D 81/365; B65D 81/366; B65D 81/368; B65D 2203/00; B65D 2203/02; B65D 37/00; B65D 77/00; B65D 97/00; A63H 33/16

See application file for complete search history.

(56) **References Cited**

**U.S. PATENT DOCUMENTS**

D83,664 S \* 3/1931 DeCanio ..... D9/667  
D122,251 S \* 9/1940 Berguard ..... D9/629  
D150,037 S \* 6/1948 Simpson ..... D9/629

(Continued)

*Primary Examiner* — Sandra L Morris

(74) *Attorney, Agent, or Firm* — Michael Steinmetz

(57) **CLAIM**

The ornamental design for a heart-shaped perfume bottle with a flat cap and heart-shaped sediments, as shown and described.

**DESCRIPTION**

FIG. 1—is a heart-shaped perfume bottle with a flat cap and heart-shaped sediments, illustrated in motion for ease of illustration;

FIG. 2—is a front view of the heart-shaped perfume bottle with a flat cap, with the heart-shaped sediments depicted in broken lines for ease of illustration;

FIG. 3—is a rear view of the heart-shaped perfume bottle with a flat cap;

FIG. 4—is a side view of the heart-shaped perfume bottle with a flat cap, the other side being a mirror image;

FIG. 5—is a top view of the heart-shaped perfume bottle with a flat cap;

FIG. 6—is a bottom view of the heart-shaped perfume bottle with a flat cap;

FIG. 7—is a front, rear, and side view of the flat cap of the heart-shaped perfume bottle, the other side being a mirror image, illustrated separately for ease of illustration;

FIG. 8—is a bottom view of the flat cap of the heart-shaped perfume bottle;

FIG. 9—is a top view of the flat cap of the heart-shaped perfume bottle;

FIG. 10—is a rear view of the heart-shaped perfume bottle, illustrated separately from the flat cap and without heart-shaped sediments for ease of illustration;

FIG. 11—is a side view of the heart-shaped perfume bottle, the other side being a mirror image;

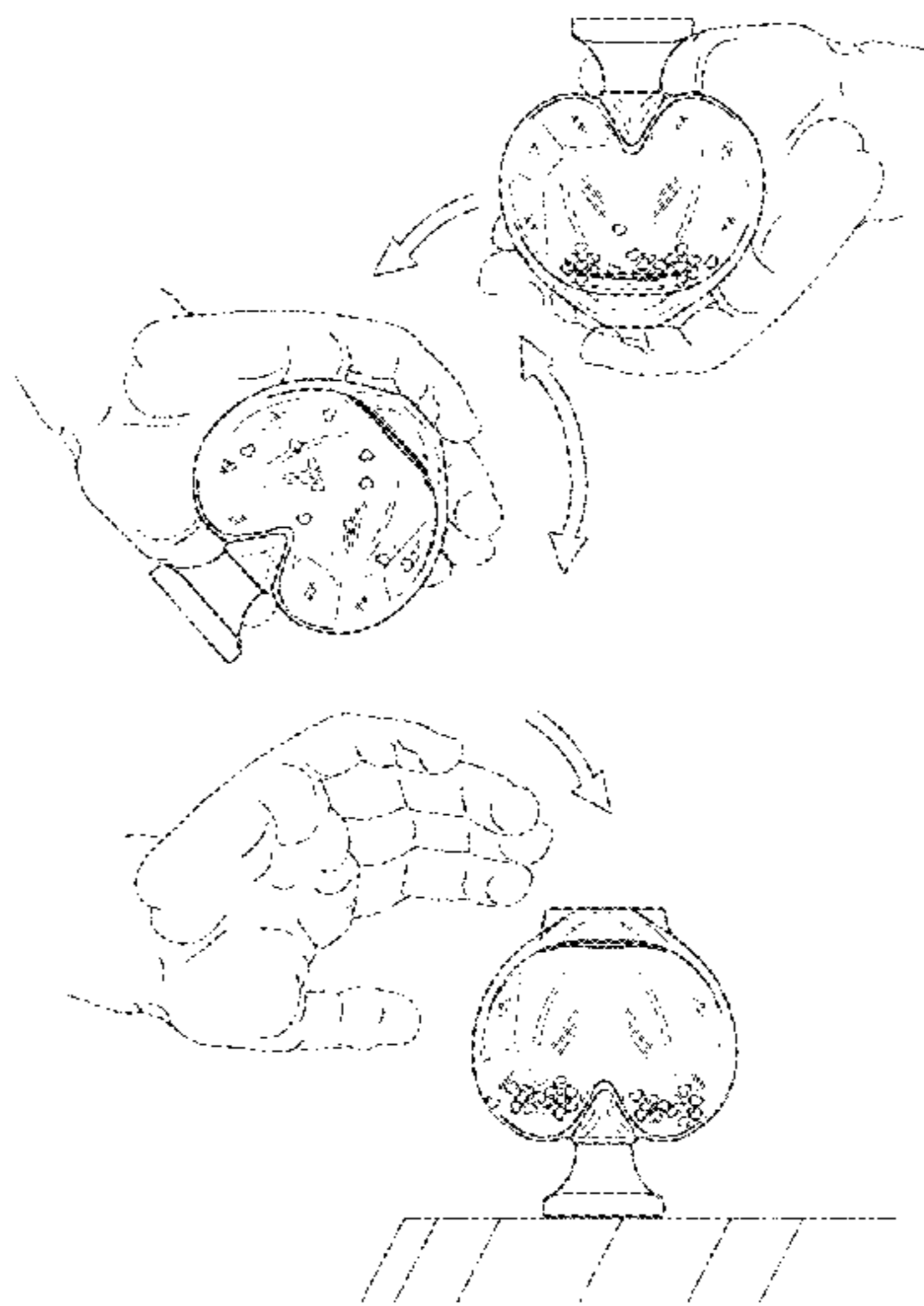
FIG. 12—is a front view of the heart-shaped perfume bottle;

FIG. 13—is a top view of the heart-shaped perfume bottle;

and, FIG. 14—is a bottom view of the heart-shaped perfume bottle.

The broken lines depict environment and form no part of the claimed design.

**1 Claim, 10 Drawing Sheets**



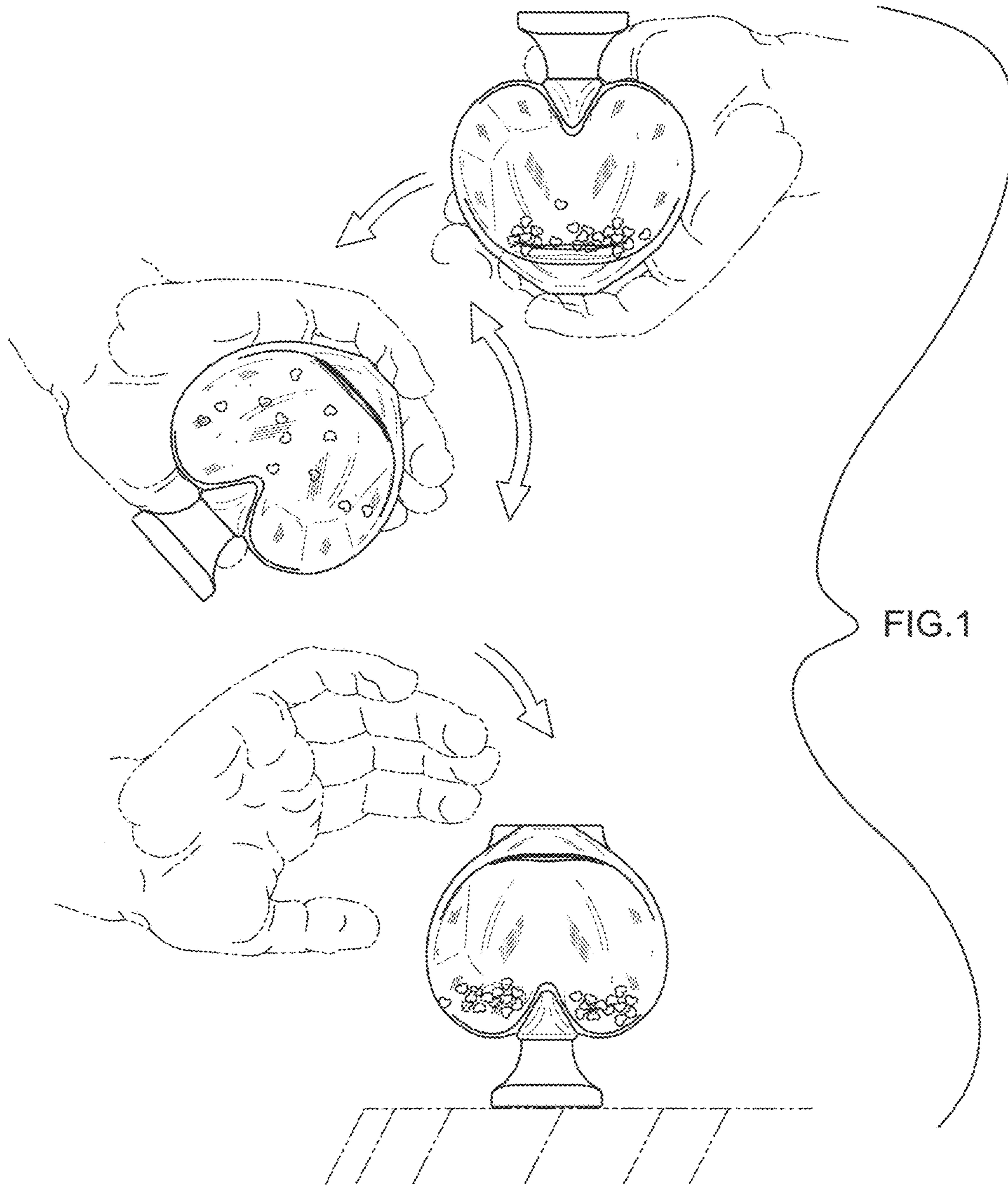
(56)

**References Cited**

U.S. PATENT DOCUMENTS

D164,929	S	*	10/1951	Hobe	.....	D9/629
D168,416	S	*	12/1952	McGinnis	.....	D9/629
D194,698	S	*	2/1963	Telerico	.....	D7/594
D407,635	S	*	4/1999	Fregeau	.....	D9/629
D411,443	S	*	6/1999	Bakic	.....	D9/629
D485,641	S	*	1/2004	Angeletta	.....	D9/629
D511,968	S	*	11/2005	Boyd	.....	D9/715
D512,317	S	*	12/2005	Boyd	.....	D9/715
D512,318	S	*	12/2005	Boyd	.....	D9/715
D512,319	S	*	12/2005	Boyd	.....	D9/715
D513,992	S	*	1/2006	Boyd	.....	D9/414
D513,993	S	*	1/2006	Boyd	.....	D9/414
D536,622	S	*	2/2007	Modjeski	.....	D9/629
D540,173	S	*	4/2007	Obuchi	.....	D9/629
D561,602	S	*	2/2008	Antonuccio	.....	D9/629
D626,856	S	*	11/2010	Manglani	.....	D9/629
D653,121	S	*	1/2012	Lara	.....	D9/629

\* cited by examiner



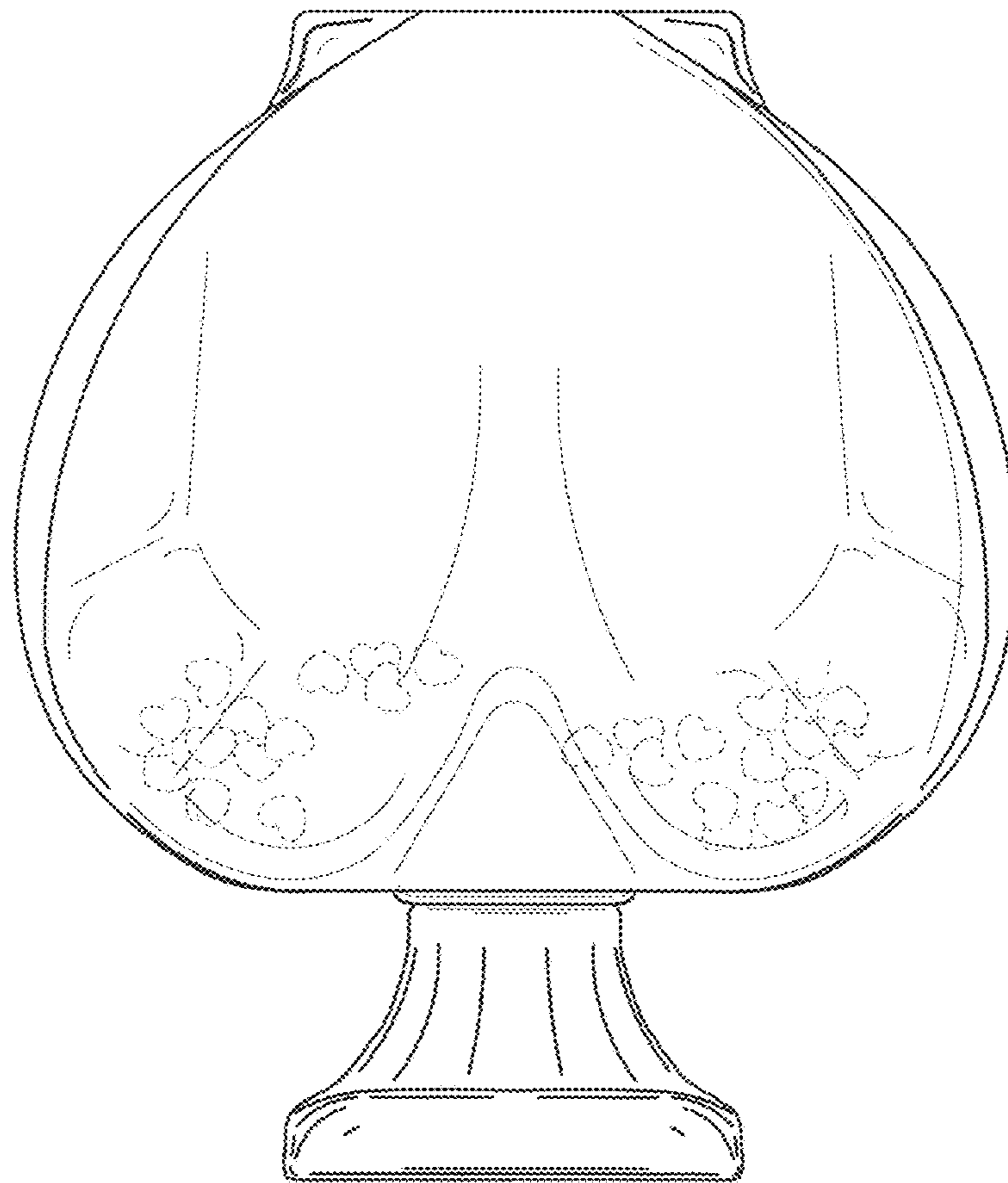


FIG.2

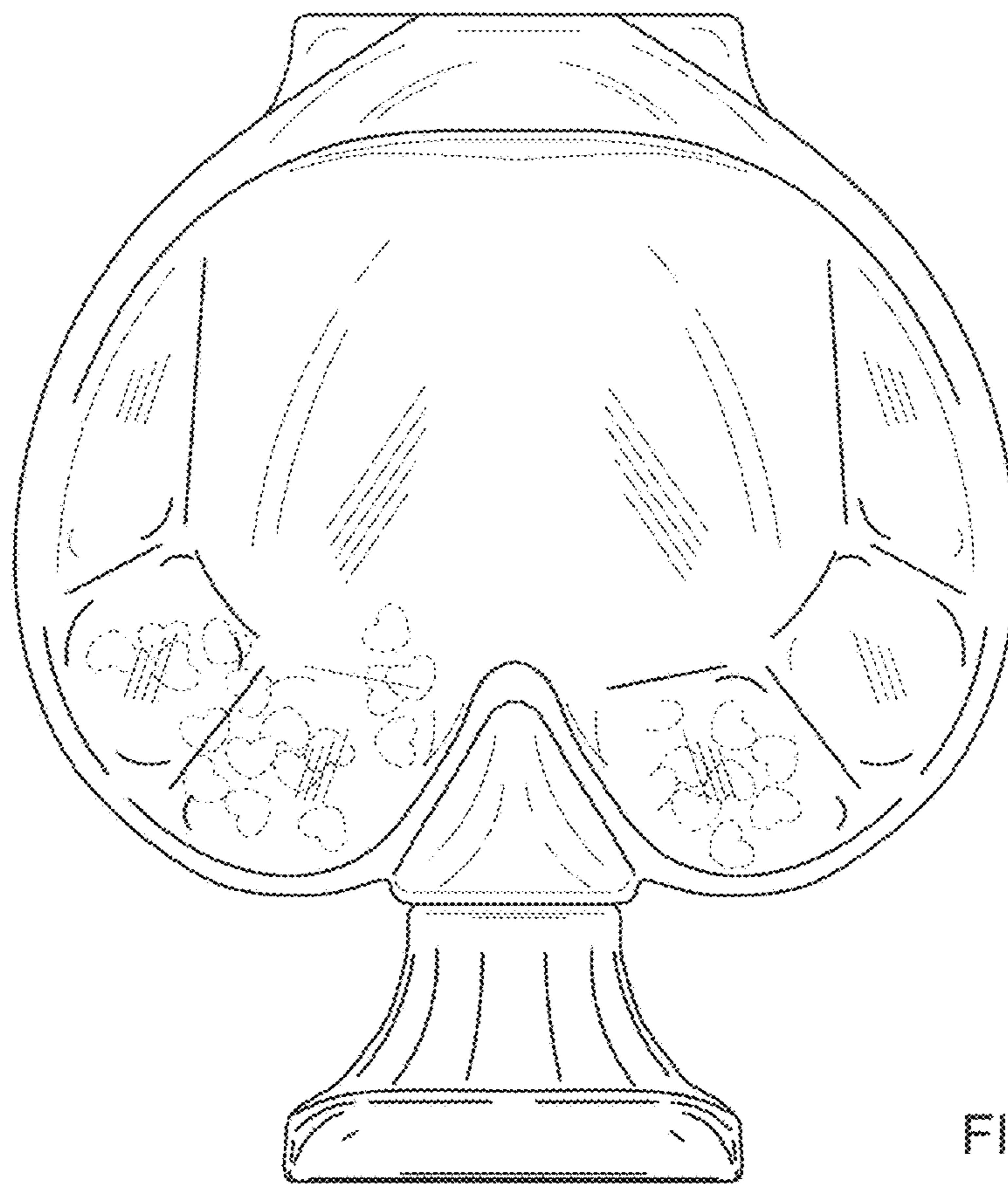


FIG. 3

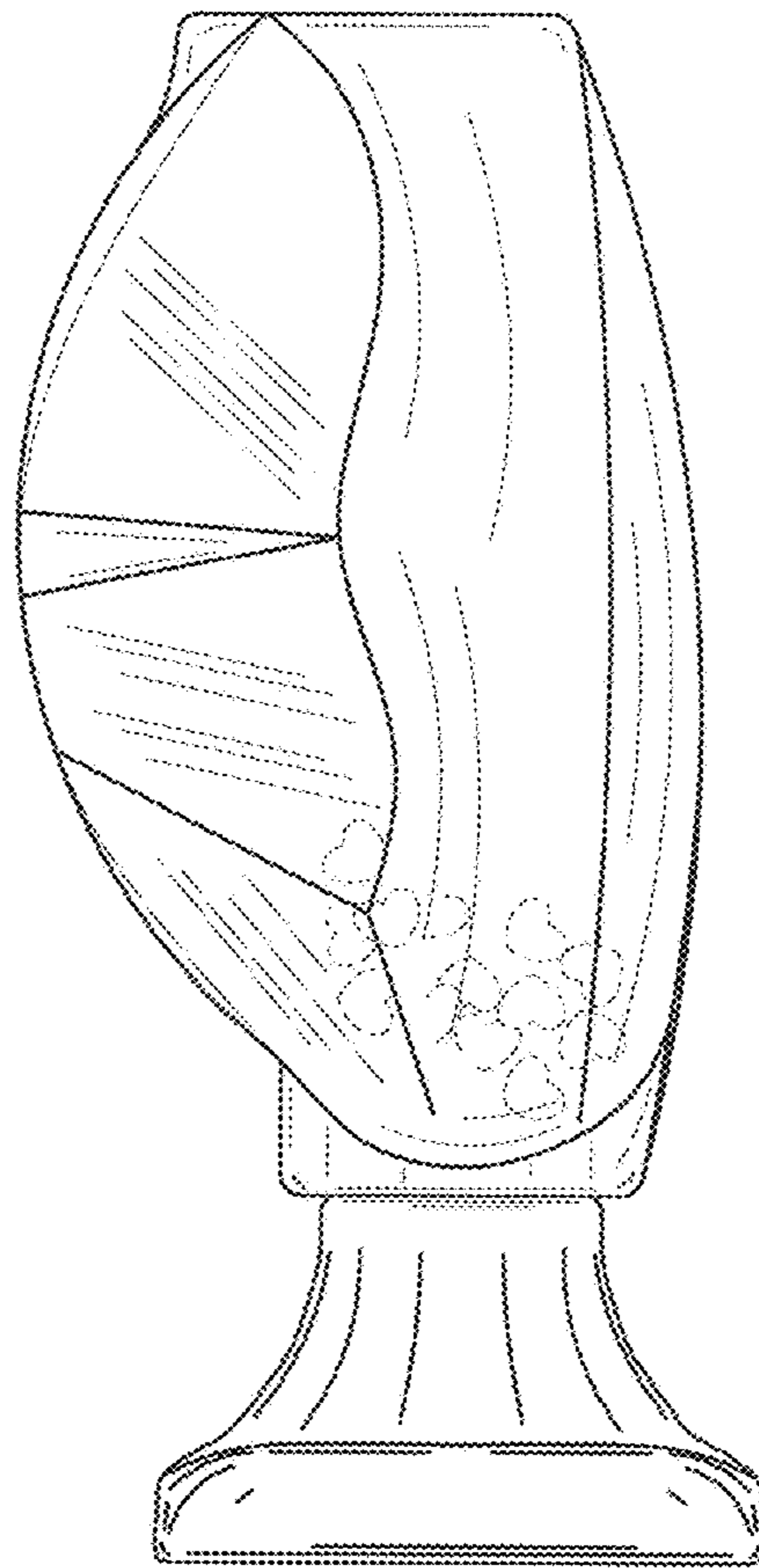


FIG.4

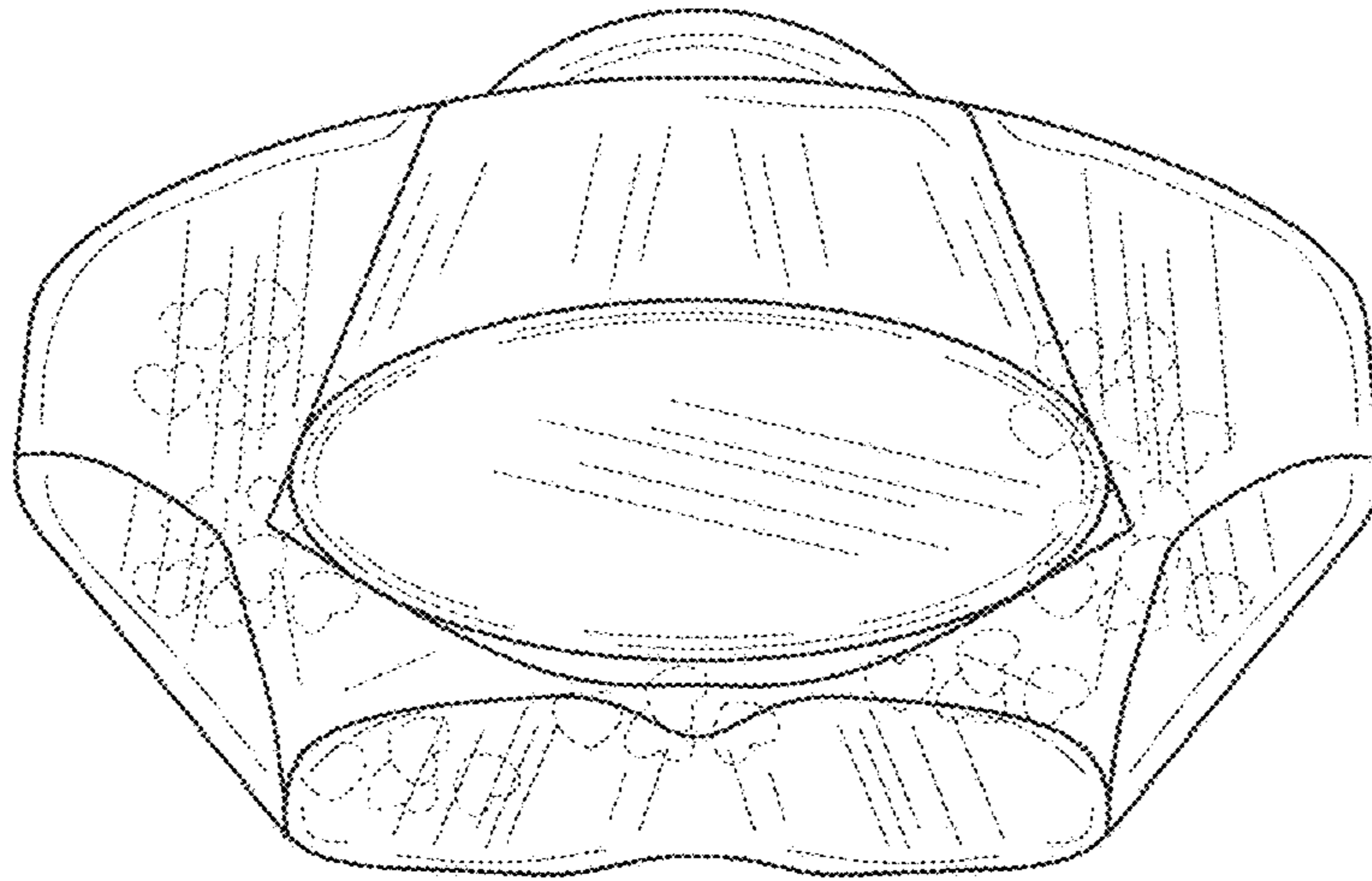


FIG. 6

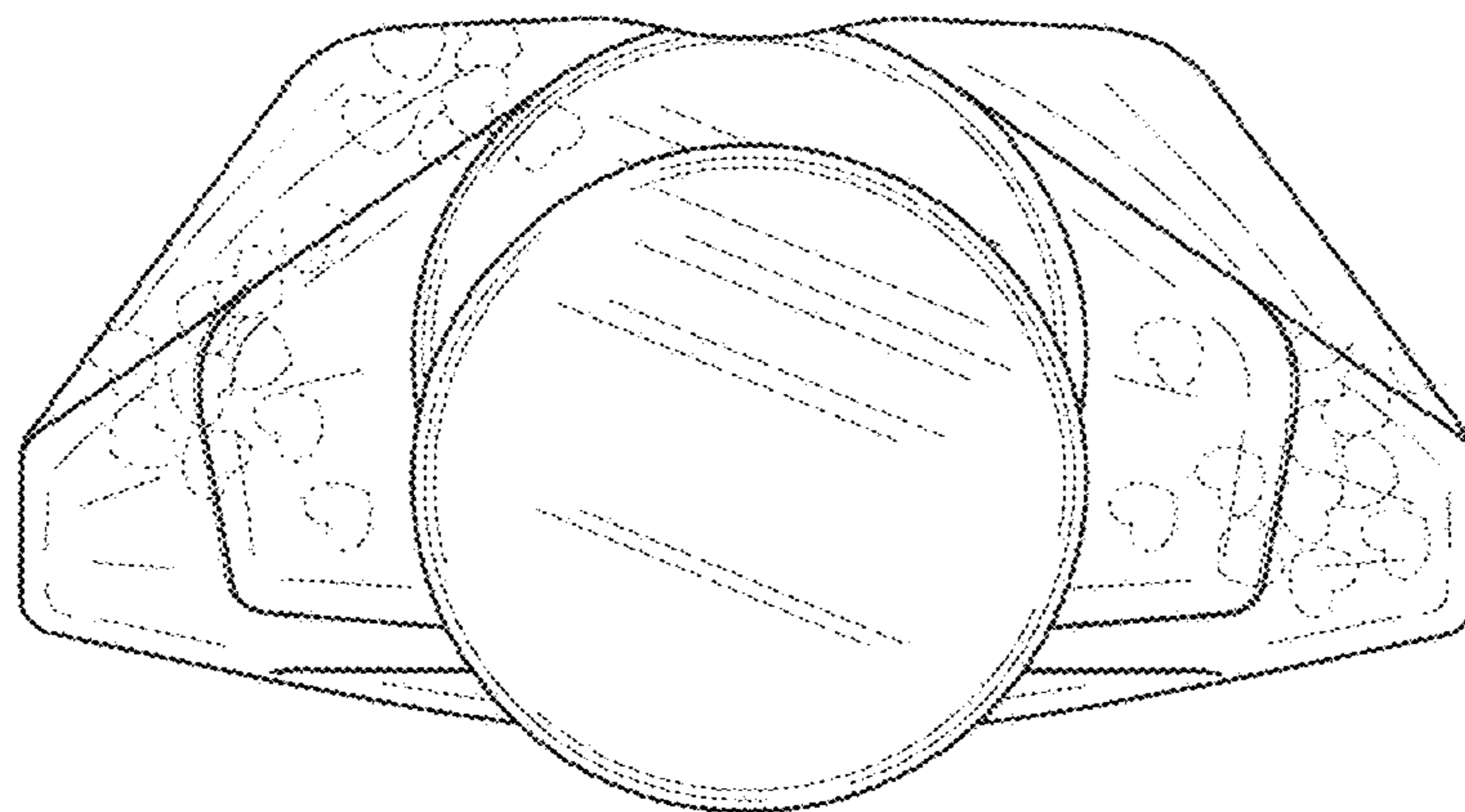


FIG. 5

FIG.9

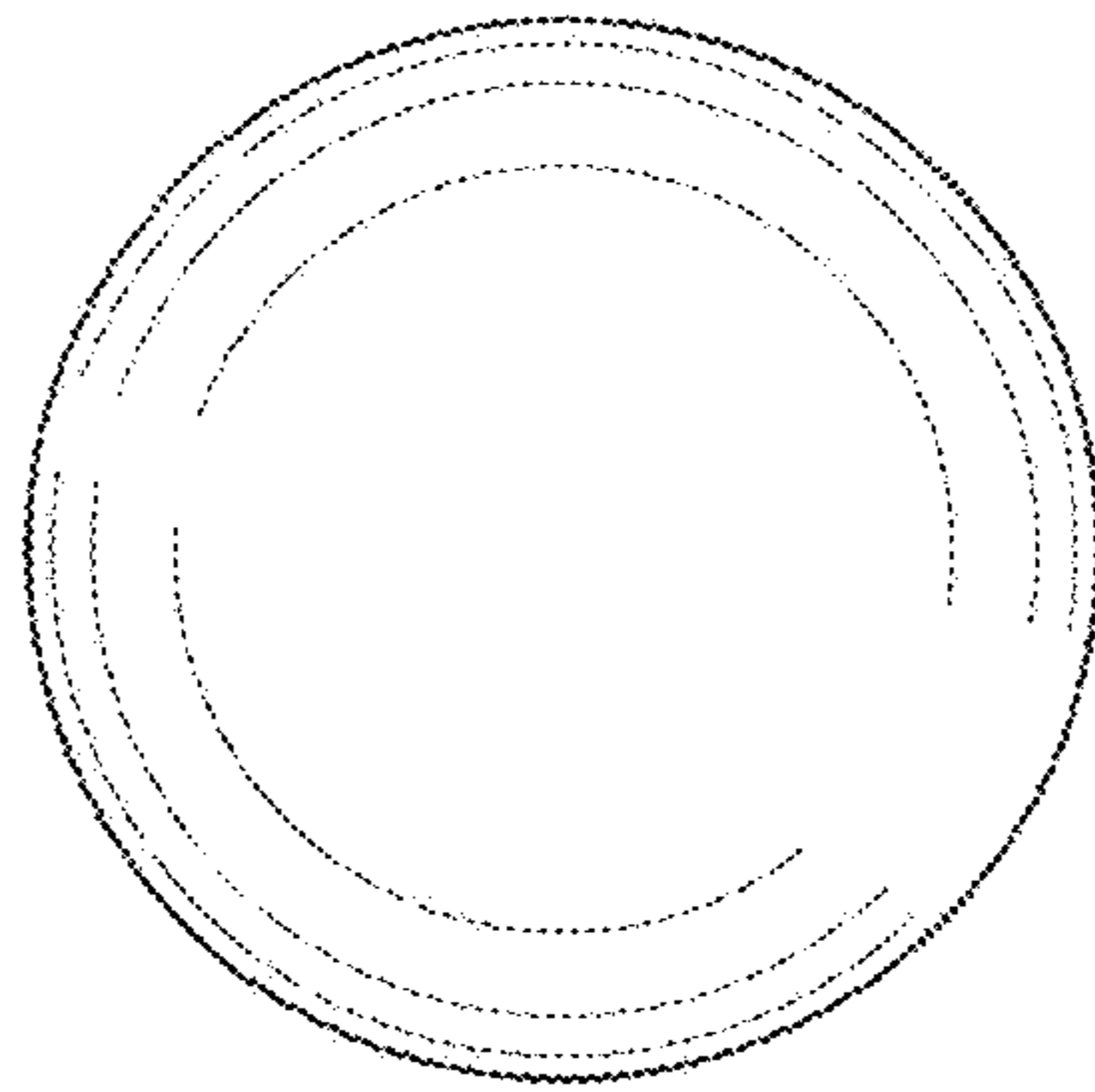


FIG.7

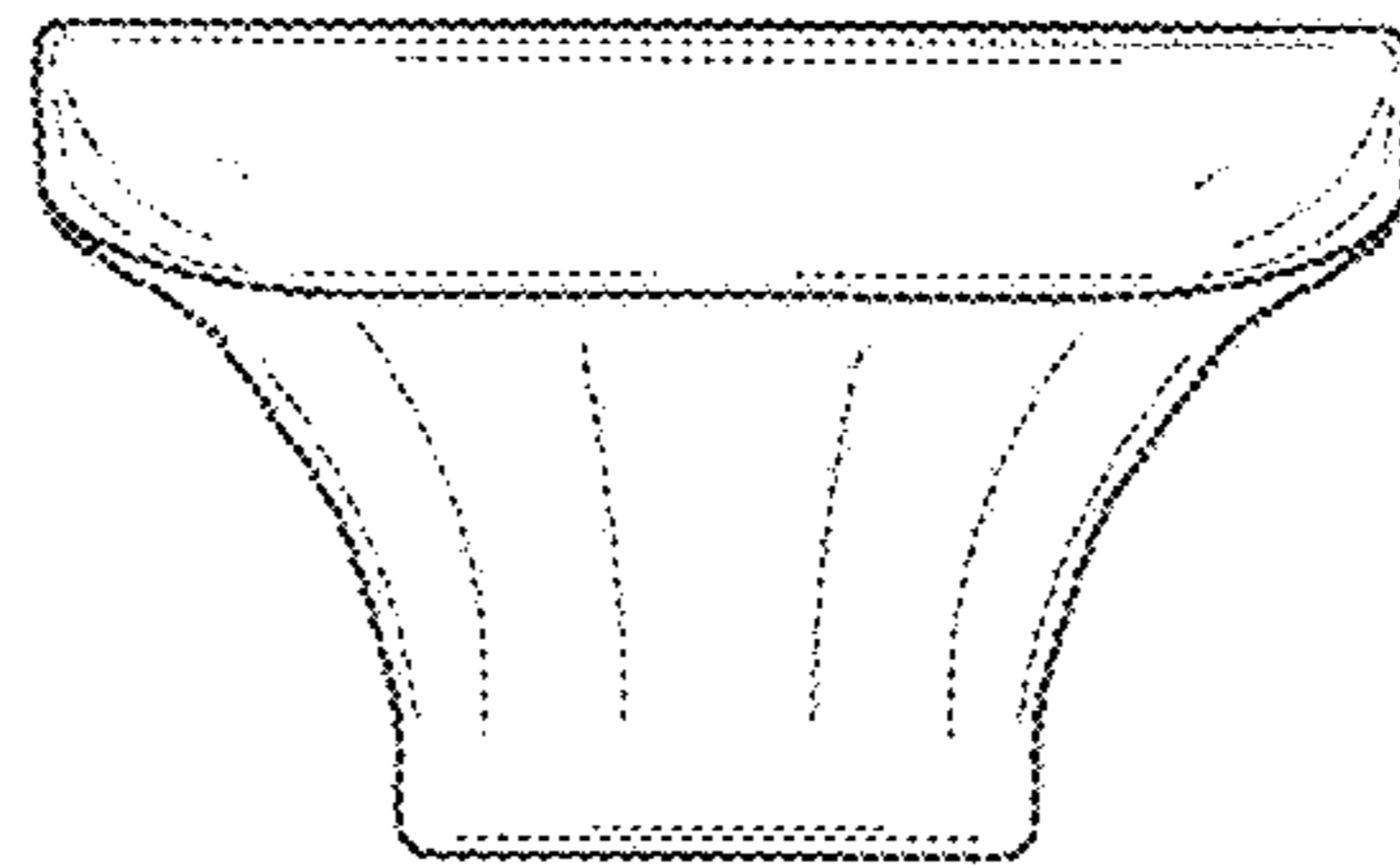
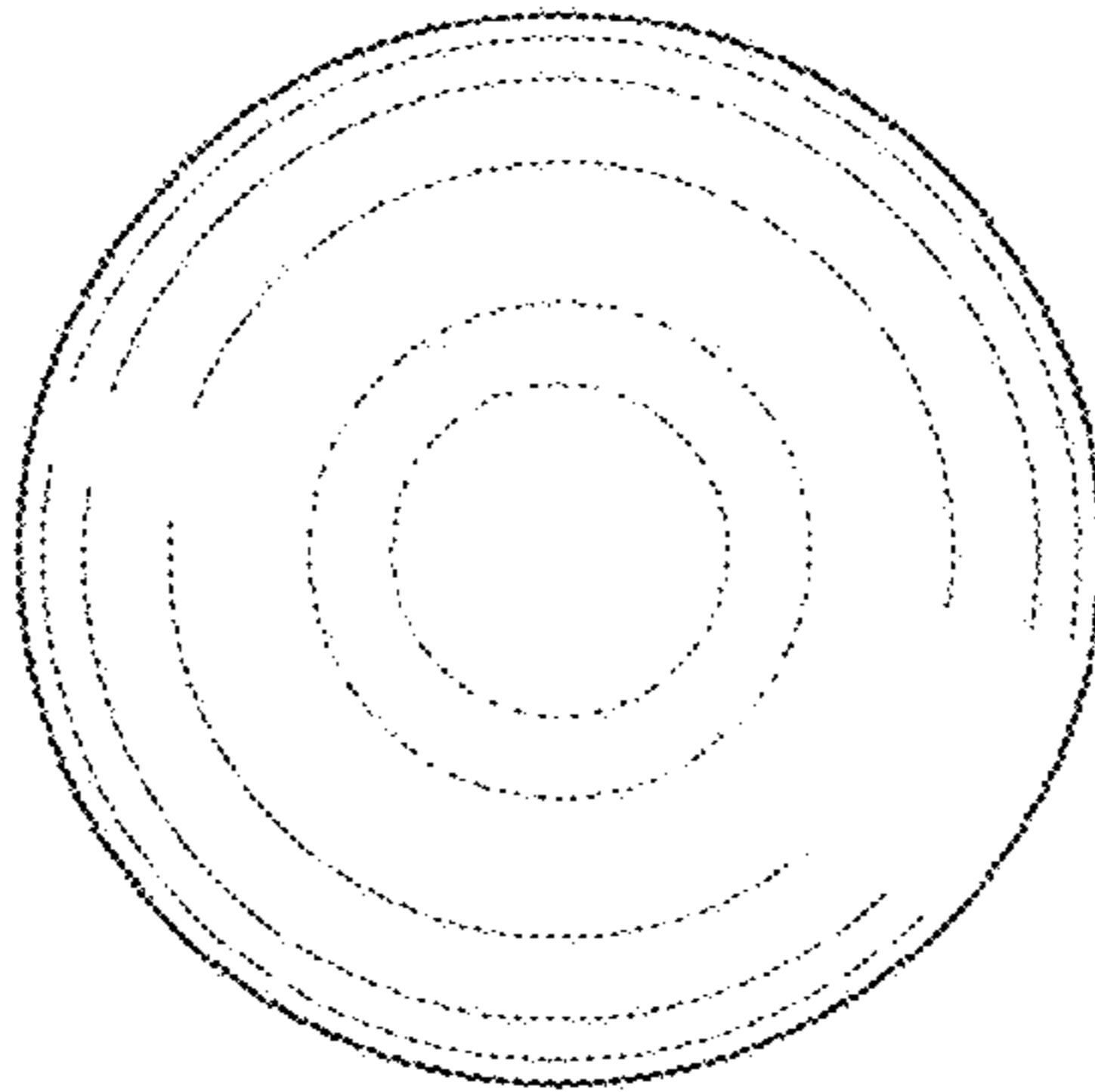


FIG.8





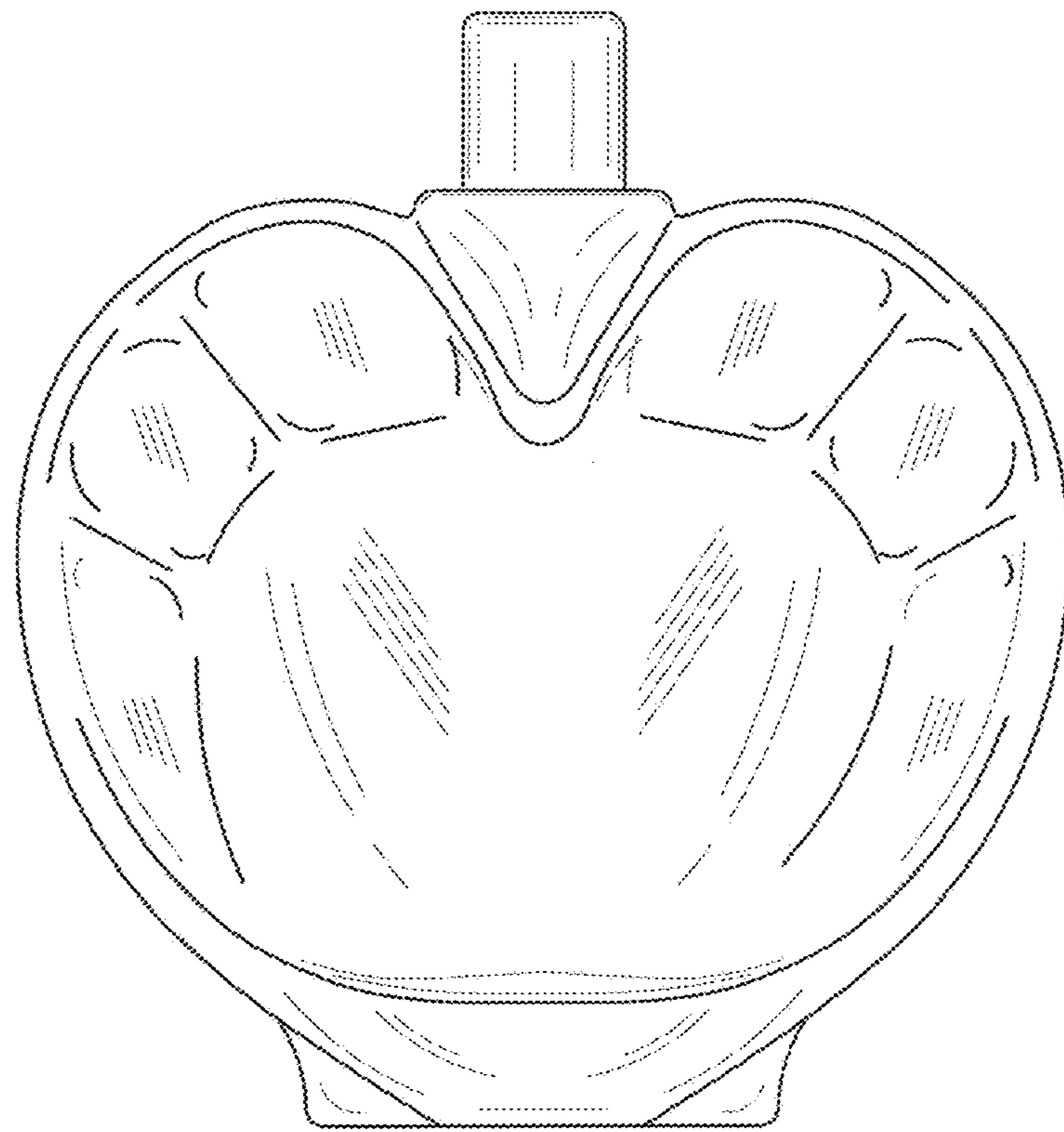


FIG.10

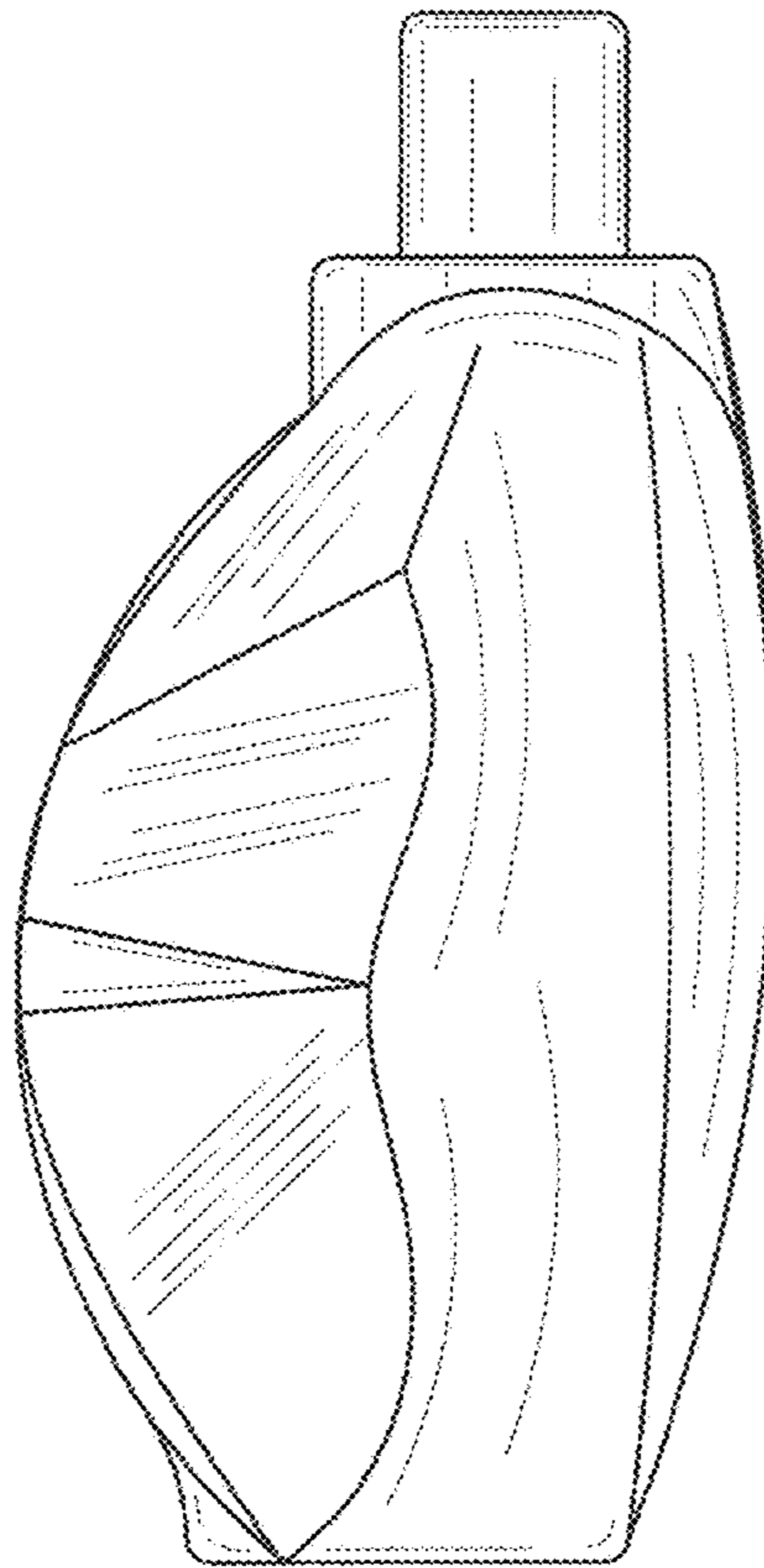


FIG. 11

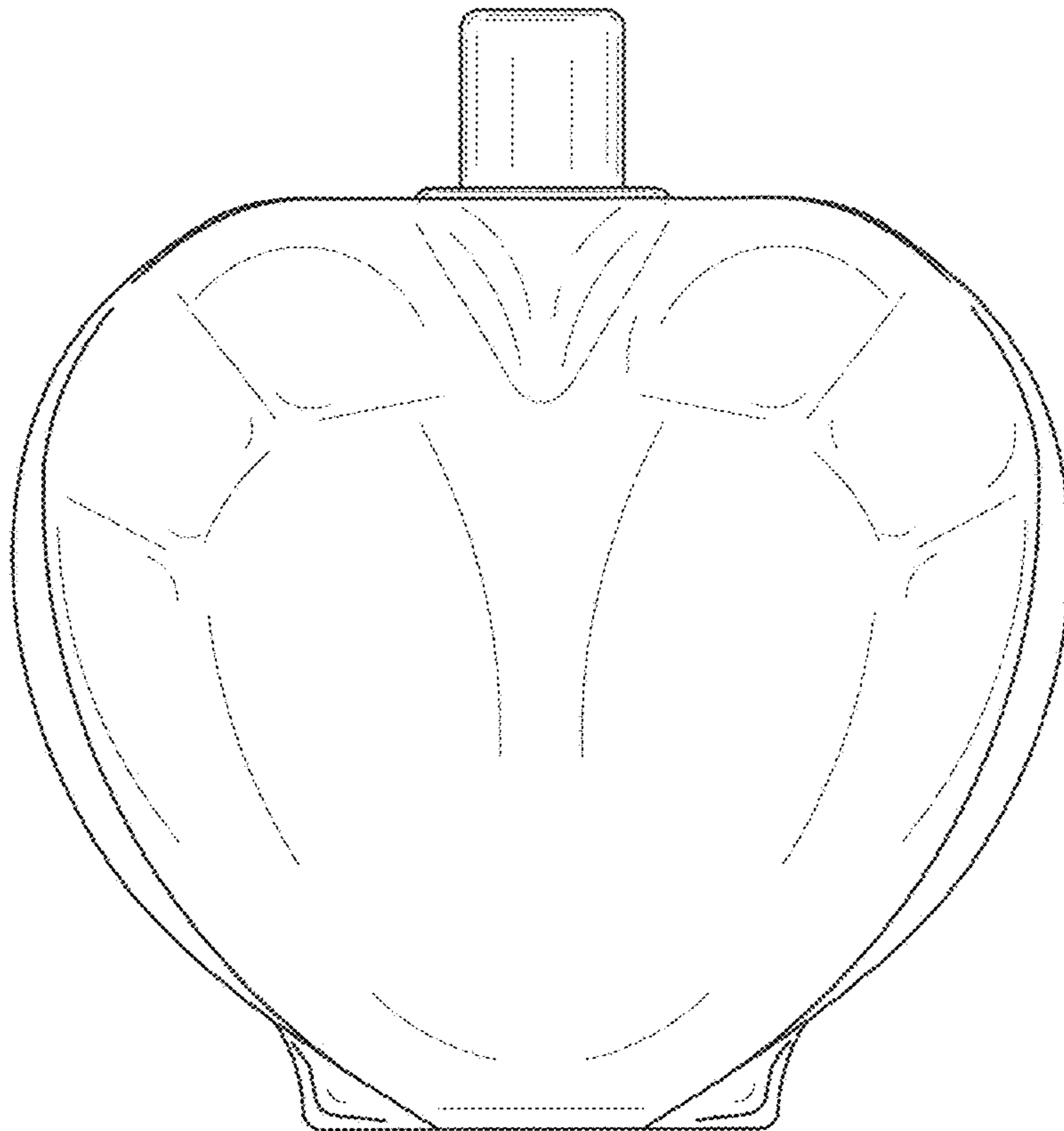


FIG. 12

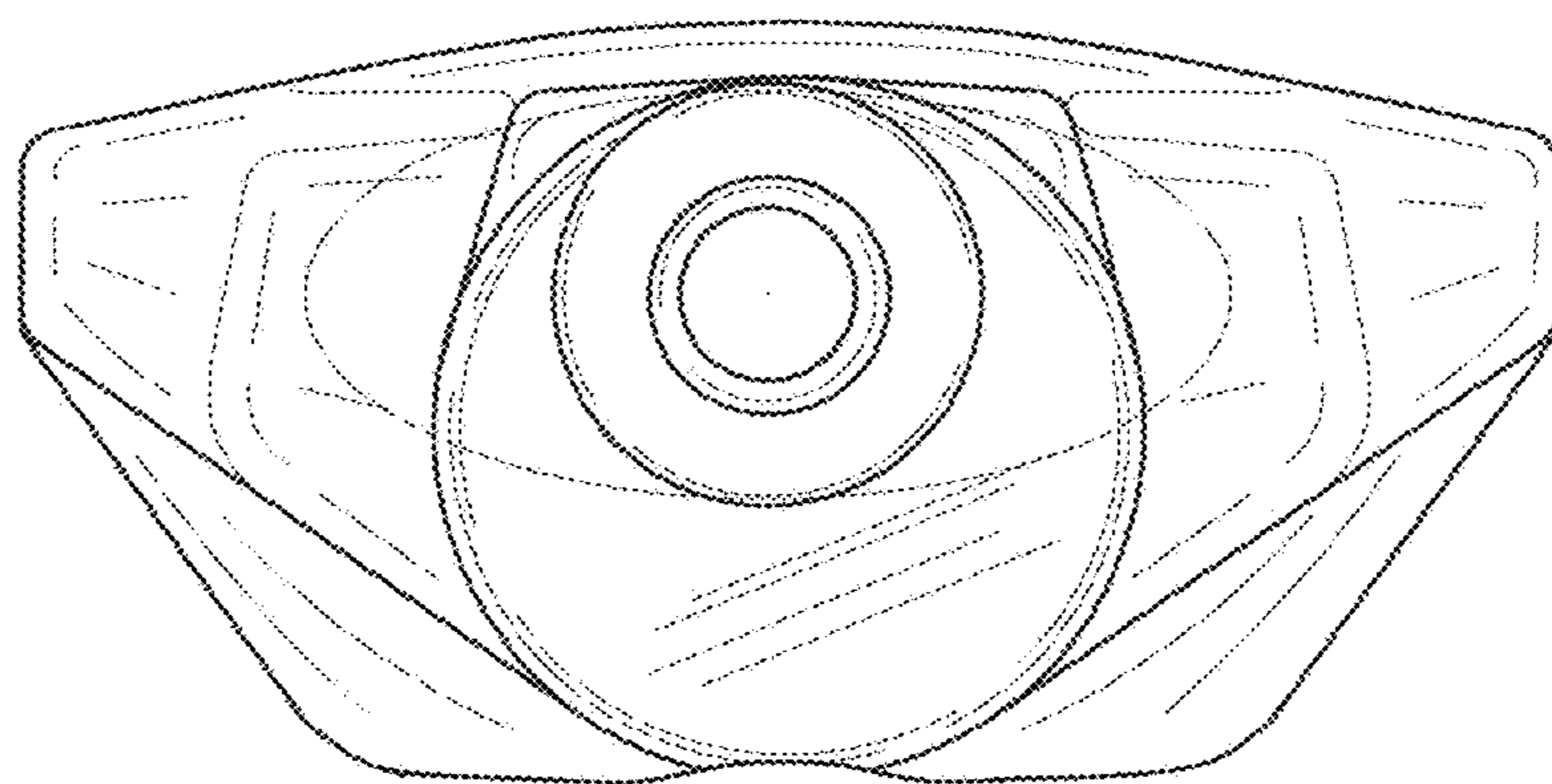


FIG.13

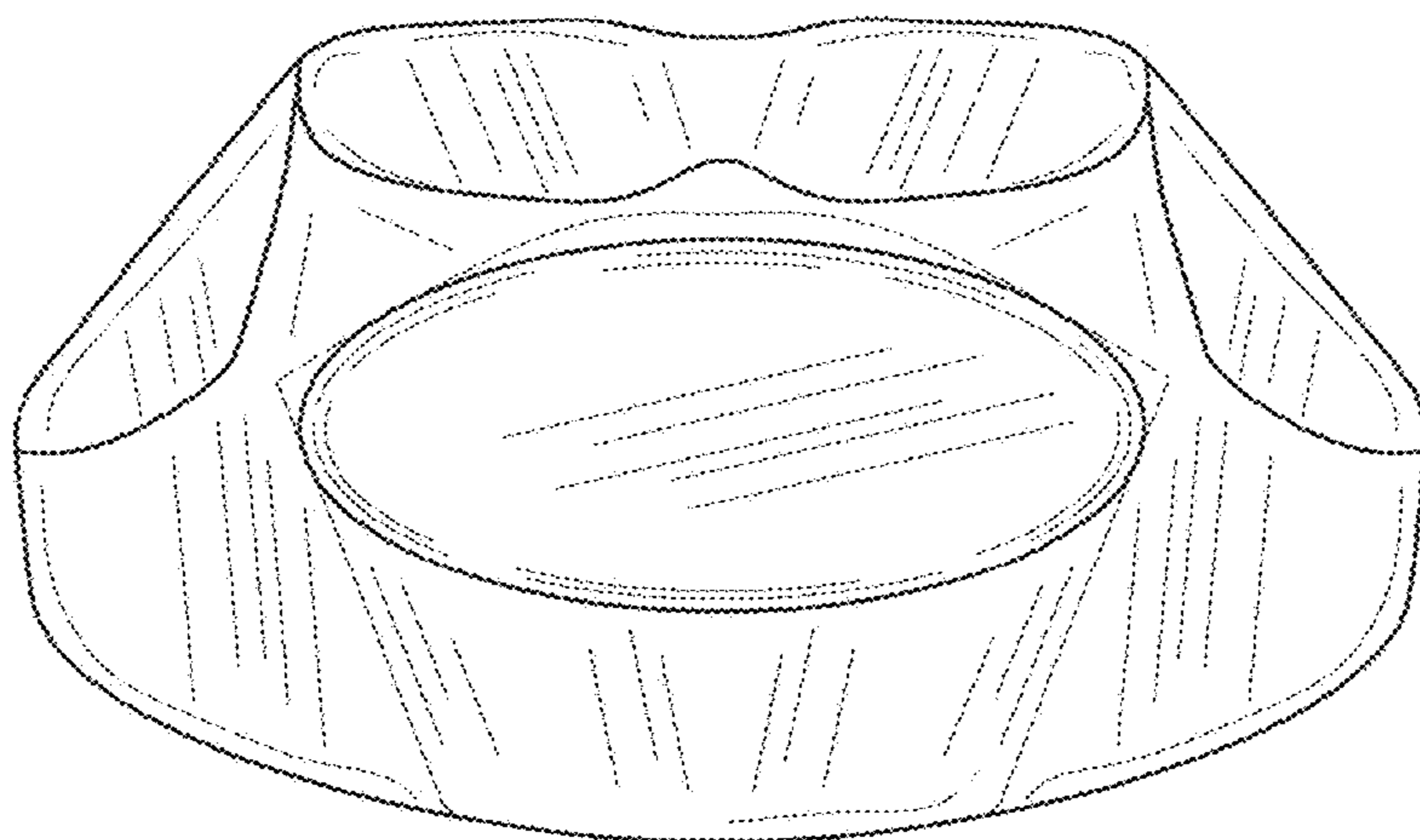


FIG.14