

US00D866340S

(12) **United States Design Patent**  
**Sofer**

(10) **Patent No.:** **US D866,340 S**  
(45) **Date of Patent:** **\*\* Nov. 12, 2019**

(54) **HEART-SHAPED PERFUME BOTTLE WITH  
A CROWN CAP AND HEART-SHAPED  
SEDIMENTS**

**DESCRIPTION**

- (71) Applicant: **Brands It Is**, Henderson, NV (US)
- (72) Inventor: **Joel Sofer**, Monroe, NY (US)
- (73) Assignee: **Brands It Is, LLC**, Henderson, NV (US)
- (\*\*) Term: **15 Years**
- (21) Appl. No.: **29/634,574**
- (22) Filed: **Jan. 23, 2018**
- (51) **LOC (12) Cl.** ..... **09-01**
- (52) **U.S. Cl.**  
USPC ..... **D9/629; D9/451**
- (58) **Field of Classification Search**  
USPC ..... D3/270, 271.1-271.4; D7/510, 514-520,  
D7/599, 604, 613, 619.2, 623, 628,  
(Continued)

FIG. 1—is a heart-shaped perfume bottle design with a crown cap and heart-shaped sediments, and illustrated in motion for ease of illustration;

FIG. 2—is a front view of the heart-shaped perfume bottle with a crown cap, with the heart-shaped sediments depicted in broken lines for ease of illustration;

FIG. 3—is a rear view of the heart-shaped perfume bottle with a crown cap;

FIG. 4—is a side view of the heart-shaped perfume bottle with a crown cap, the other side being a mirror image;

FIG. 5—is a top view of the heart-shaped perfume bottle with a crown cap;

FIG. 6—is a bottom view of the heart-shaped perfume bottle with a crown cap;

FIG. 7—is a front view of the crown cap and the nozzle rung of the heart-shaped perfume bottle, the rear being a mirror image, illustrated separately for ease of illustration;

FIG. 8—is a side view of the crown cap and the nozzle rung of the heart-shaped perfume bottle, the other side being a mirror image;

FIG. 9—is a bottom view of the crown cap and the nozzle rung of the heart-shaped perfume bottle;

FIG. 10—is a top view of the crown cap and the nozzle rung of the heart-shaped perfume bottle;

FIG. 11—is a rear view the heart-shaped perfume bottle, illustrated separately from the crown cap and the nozzle rung, and without heart-shaped sediments for ease of illustration;

FIG. 12—is a side view of the heart-shaped perfume bottle, the other side being a mirror image;

FIG. 13—is a front view of the heart-shaped perfume bottle;

FIG. 14—is a top of the heart-shaped perfume bottle; and, FIG. 15—is a bottom view of the heart-shaped perfume bottle.

The broken lines depict environment and form no part of the claimed design.

(56) **References Cited**

**U.S. PATENT DOCUMENTS**

- D150,037 S \* 6/1948 Simpson ..... D9/629
  - D164,929 S \* 10/1951 Hobe ..... D9/629
- (Continued)

**OTHER PUBLICATIONS**

Vera Wang Princess Perfume Bottle. Posted Apr. 27, 2017. <http://www.imagefast.org/heart-shaped-perfume-bottle/>.\*

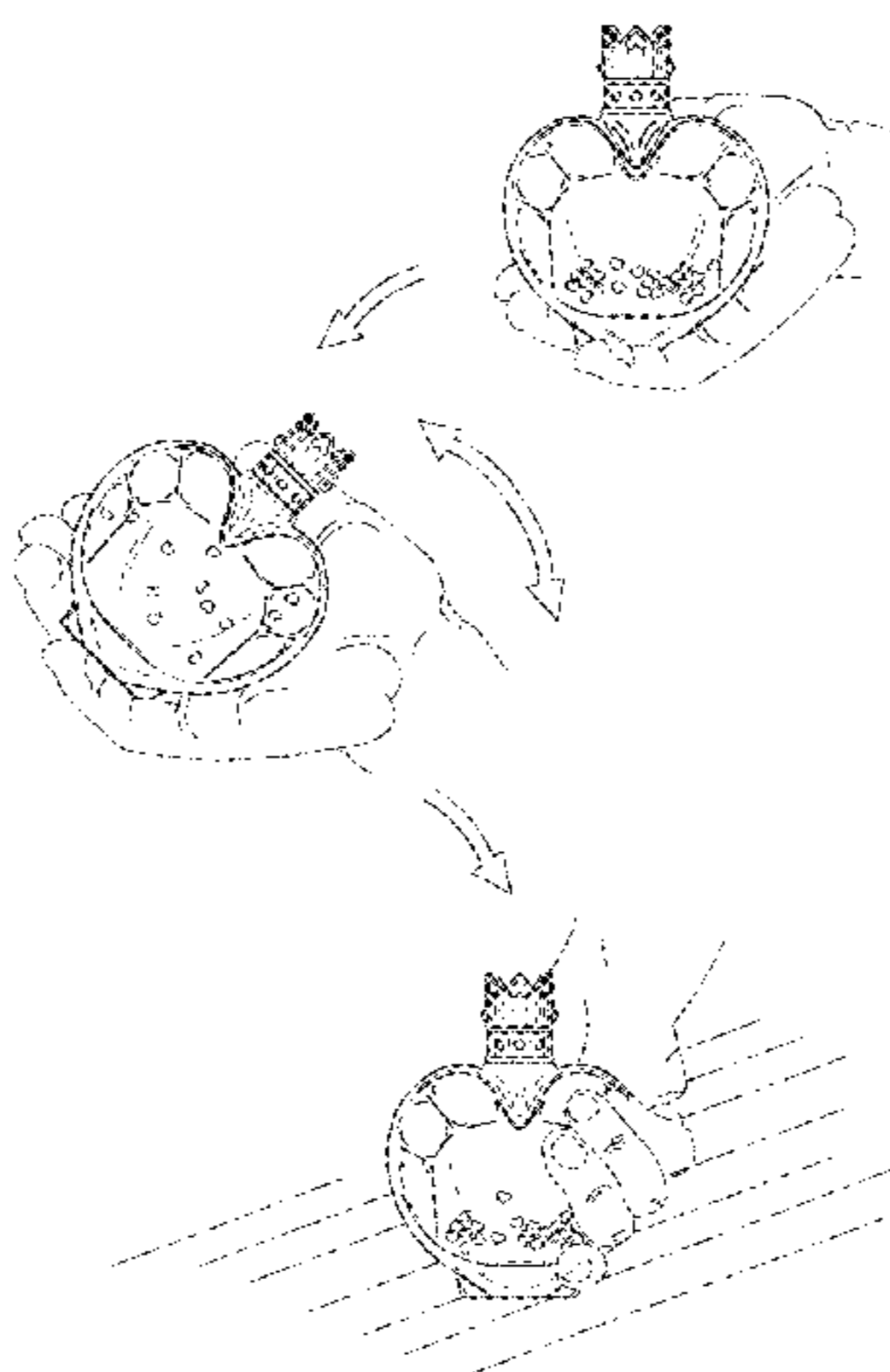
(Continued)

*Primary Examiner* — Sandra L Morris  
(74) *Attorney, Agent, or Firm* — Michael Steinmetz

(57) **CLAIM**

The ornamental design for a heart-shaped perfume bottle with a crown cap and heart-shaped sediments, as shown and described.

**1 Claim, 10 Drawing Sheets**



(58) **Field of Classification Search**

USPC ..... D7/392-392.1; D9/600, 629, 632, 715,  
D9/719, 434-454; 206/457, 459.5, 527;  
215/381-384, 400  
CPC ..... B65D 5/42; B65D 5/4258; B65D 81/60;  
B65D 81/365; B65D 81/366; B65D  
81/368; B65D 2203/00; B65D 2203/02;  
B65D 37/00; B65D 77/00; B65D 97/00;  
A63H 33/16

See application file for complete search history.

(56) **References Cited**

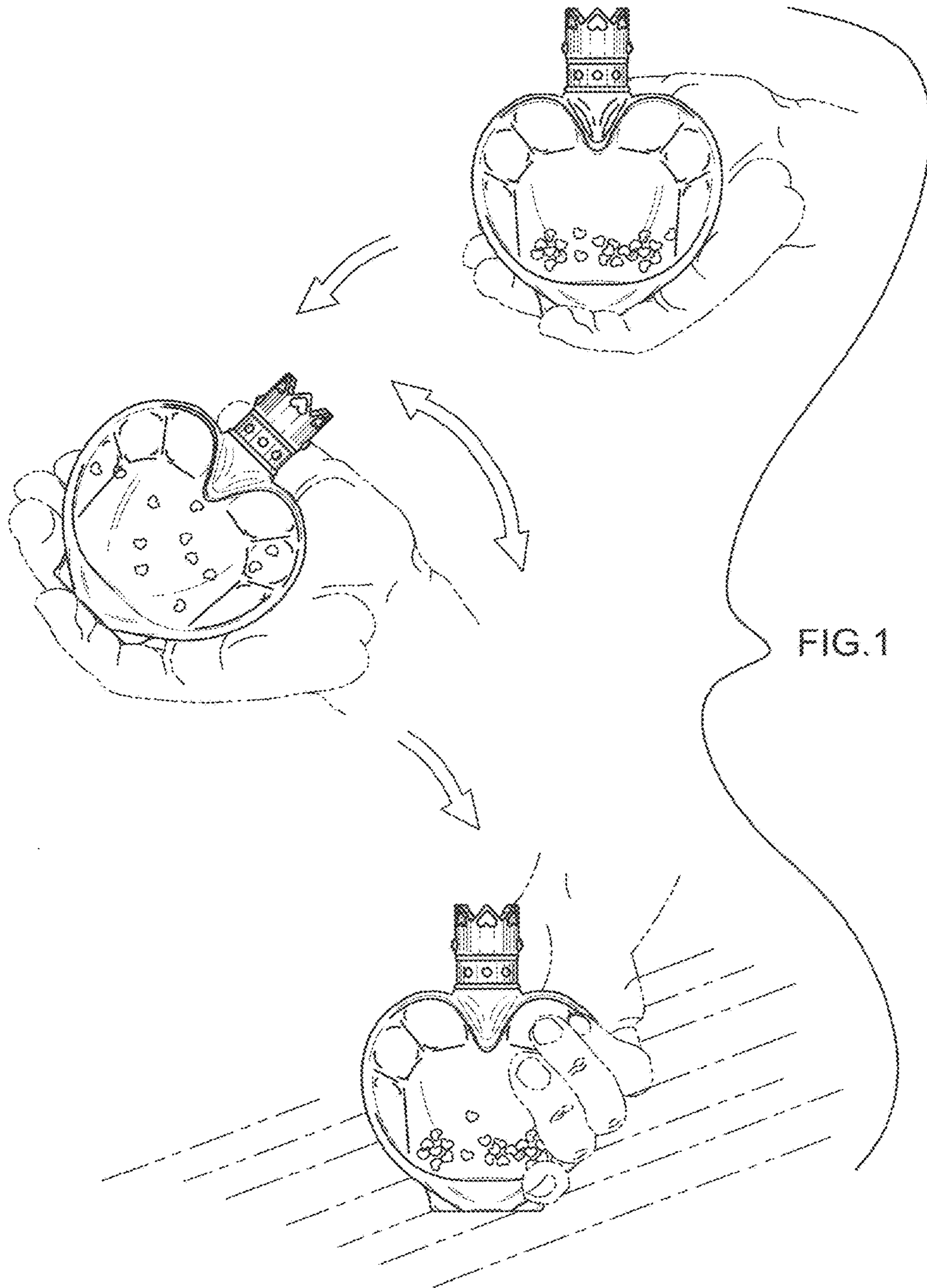
U.S. PATENT DOCUMENTS

D168,416	S	*	12/1952	McGinnis	.....	D9/629
D407,635	S	*	4/1999	Fregeau	.....	D9/629
D411,443	S	*	6/1999	Bakic	.....	D9/629
D485,641	S	*	1/2004	Angeletta	.....	D9/629
D511,968	S	*	11/2005	Boyd	.....	D9/715
D512,317	S	*	12/2005	Boyd	.....	D9/715
D512,318	S	*	12/2005	Boyd	.....	D9/715
D512,319	S	*	12/2005	Boyd	.....	D9/715
D513,992	S	*	1/2006	Boyd	.....	D9/715
D513,993	S	*	1/2006	Boyd	.....	D9/715
D536,622	S	*	2/2007	Modjeski	.....	D9/629
D540,173	S	*	4/2007	Obuchi	.....	D9/629
D561,602	S	*	2/2008	Antonuccio	.....	D9/629
D626,856	S	*	11/2010	Manglani	.....	D9/629
D653,121	S	*	1/2012	Lara	.....	D9/629
D727,749	S	*	4/2015	DeMarco	.....	D9/629

OTHER PUBLICATIONS

Abely heart shaped perfume bottle. Posted Apr. 27, 2017. <http://www.imagefast.org/heart-shaped-perfume-bottle/>.\*

\* cited by examiner



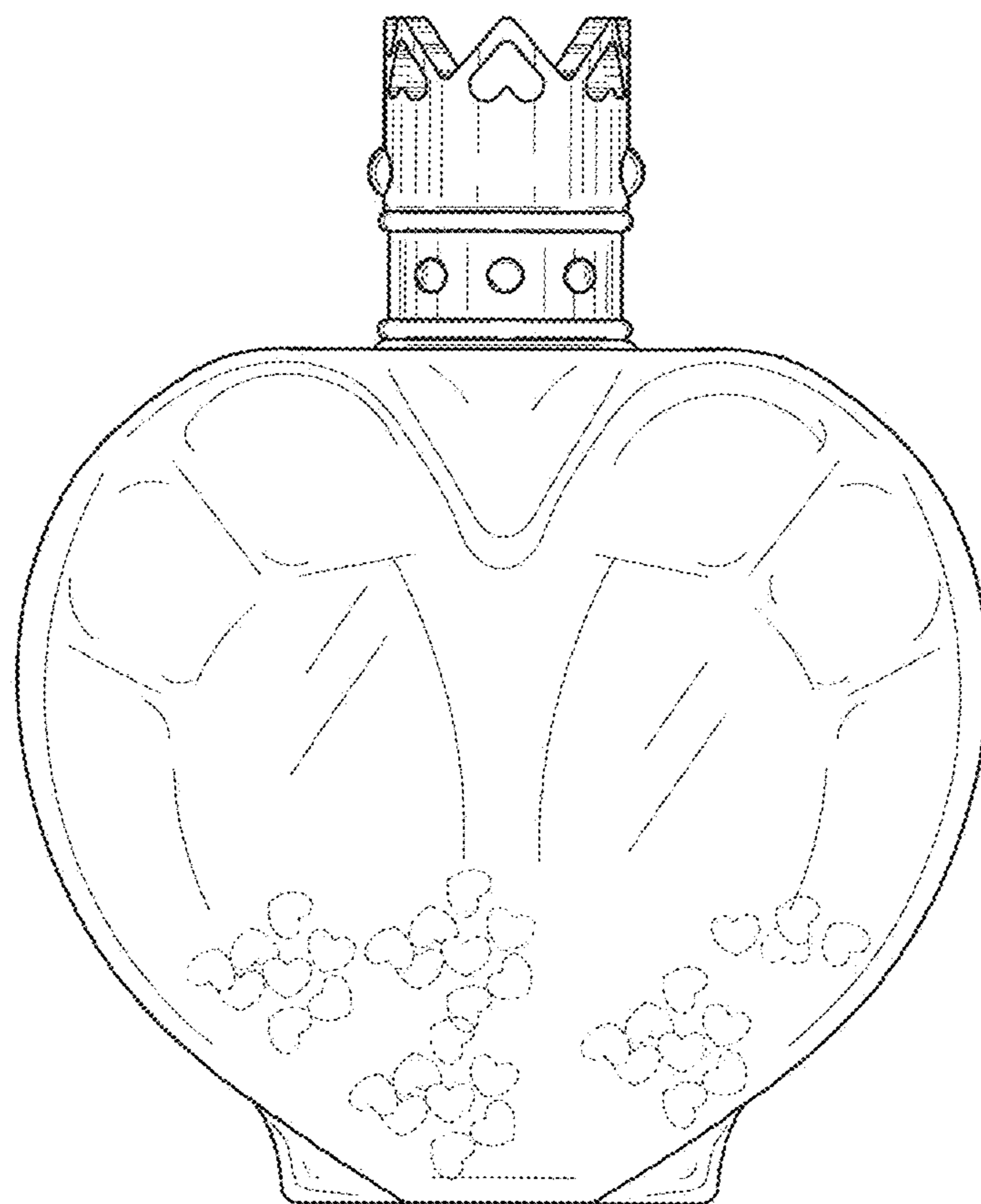


FIG.2

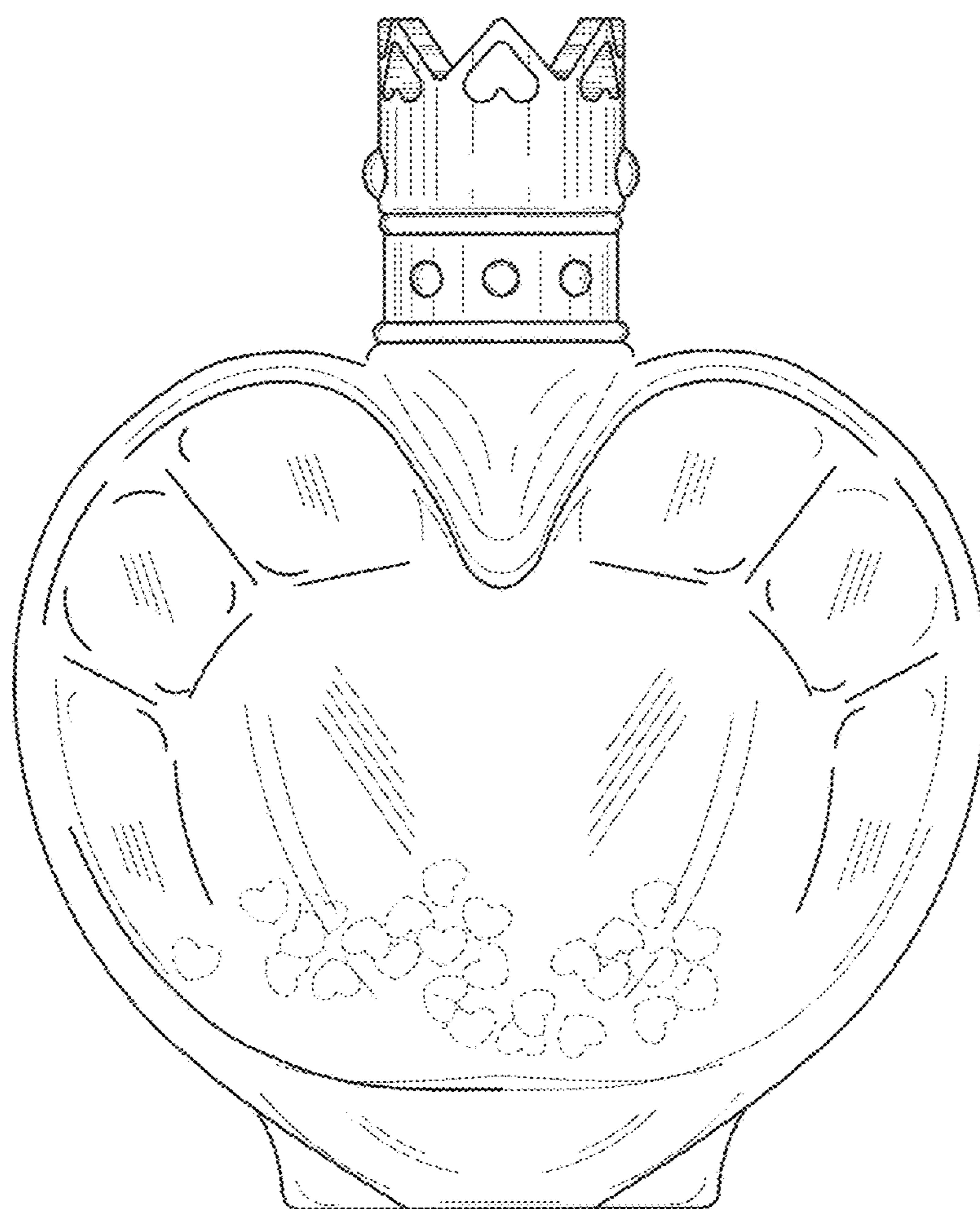


FIG.3

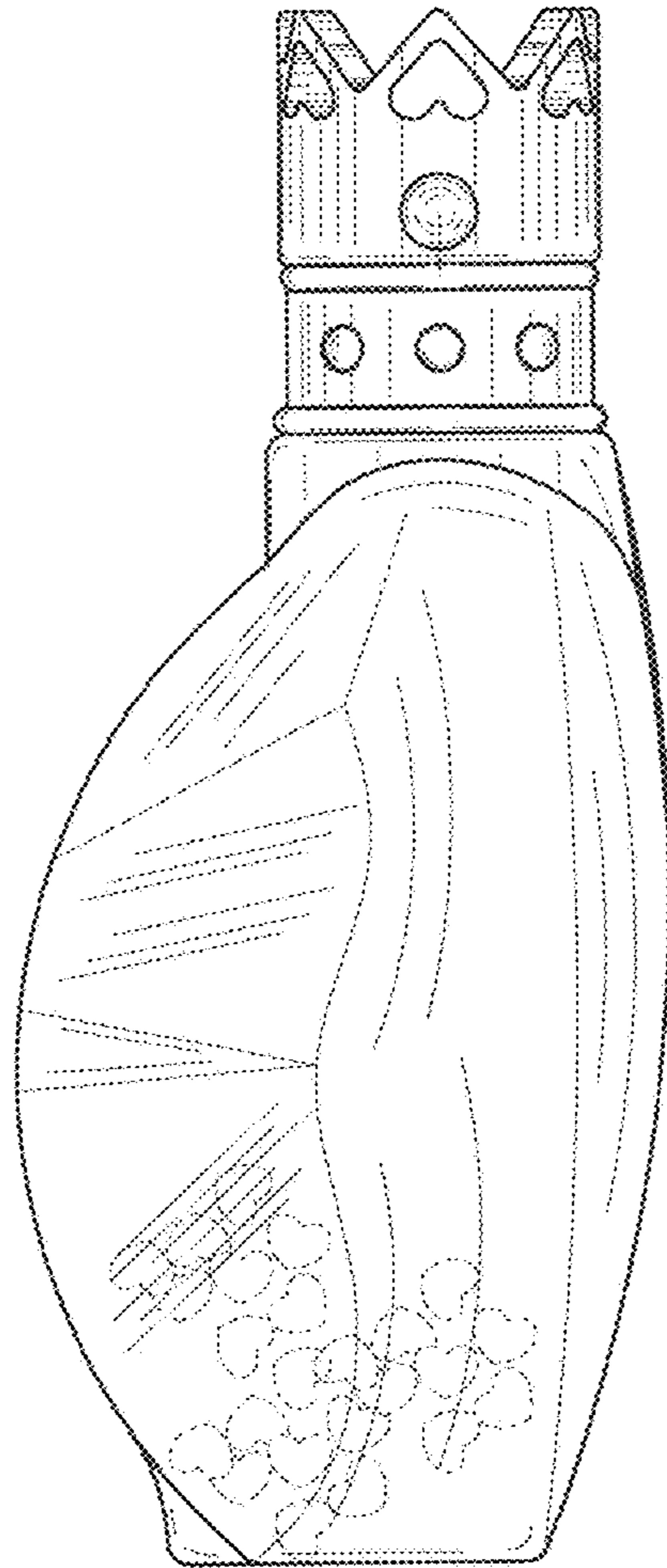


FIG.4

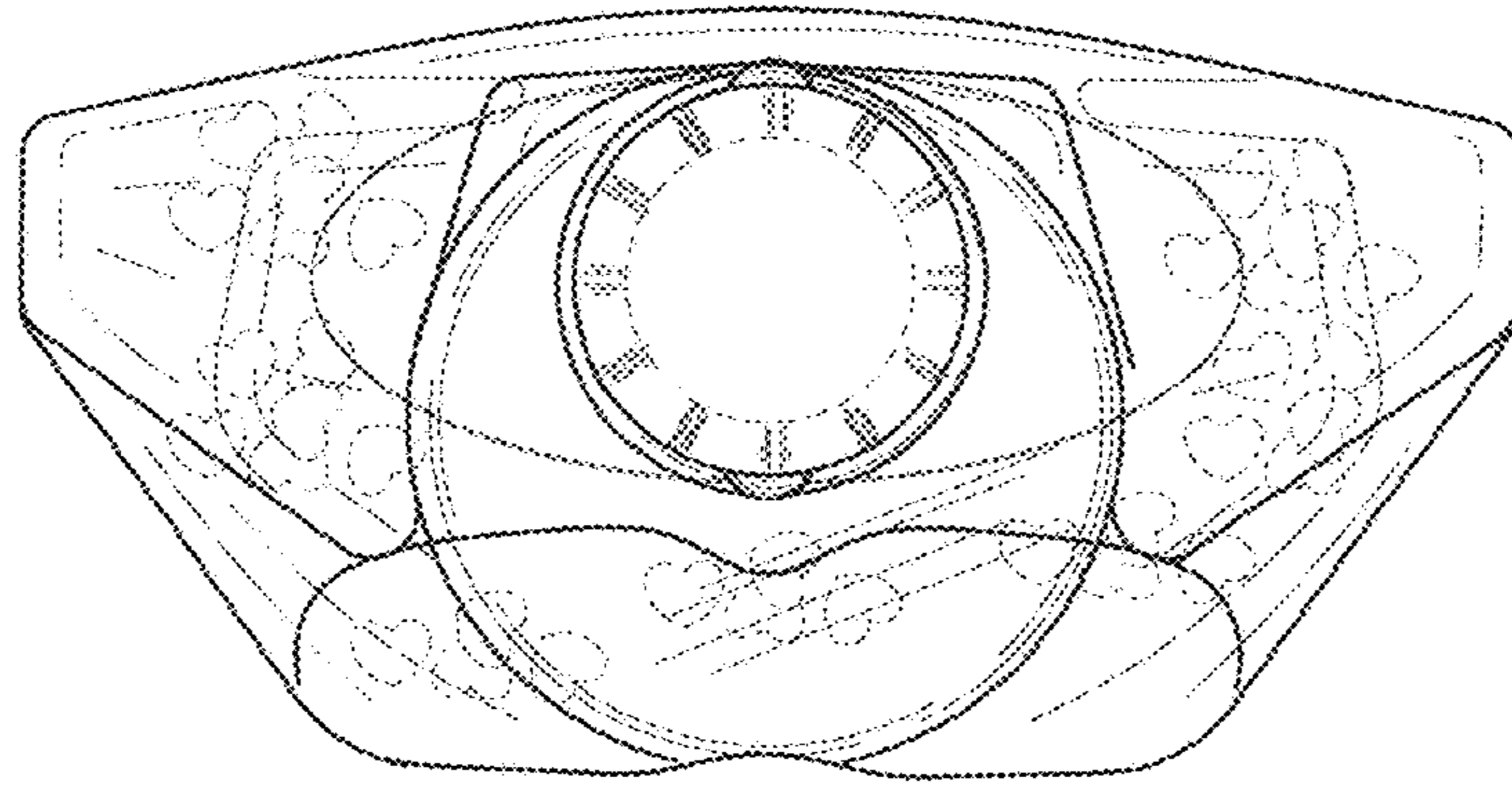


FIG.5

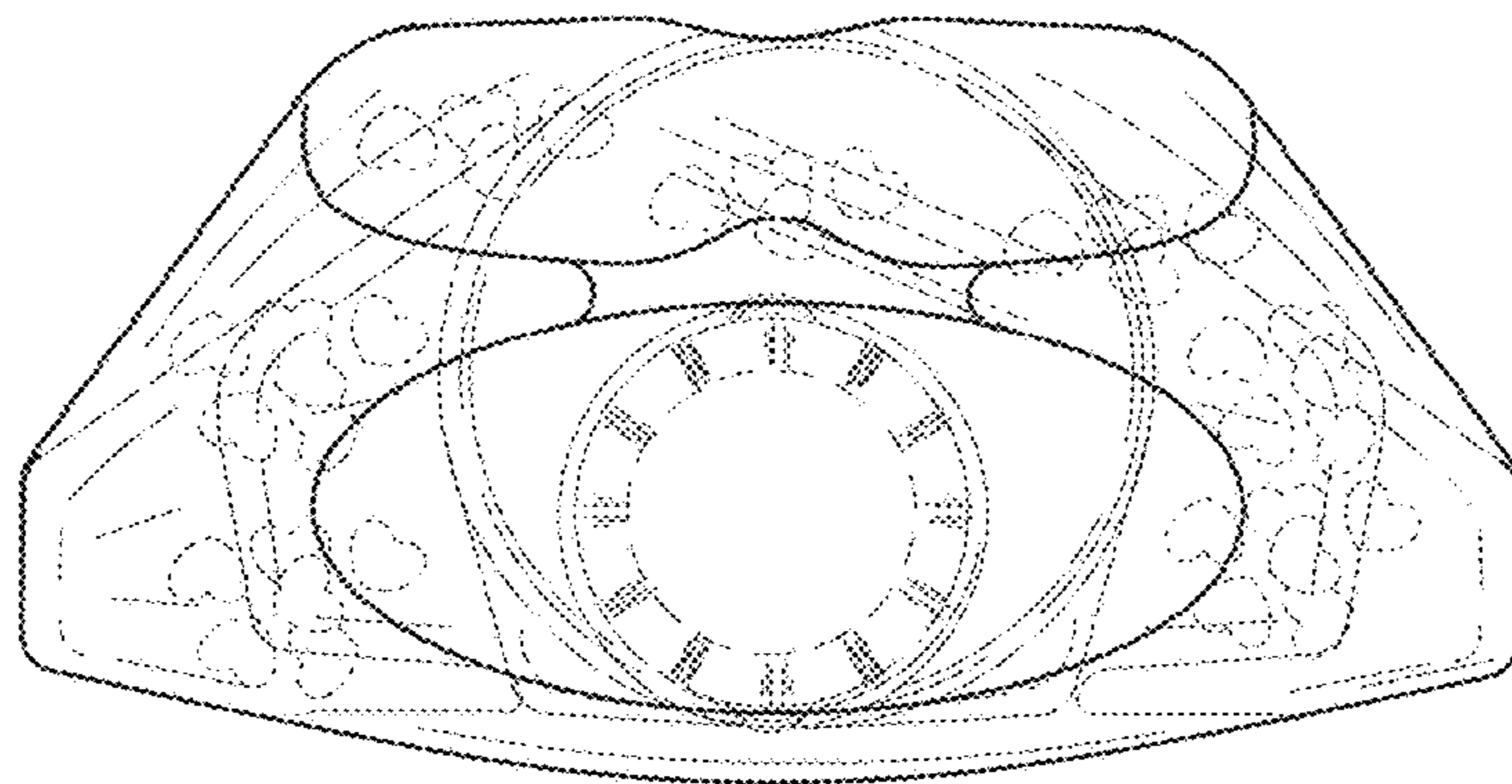


FIG.6

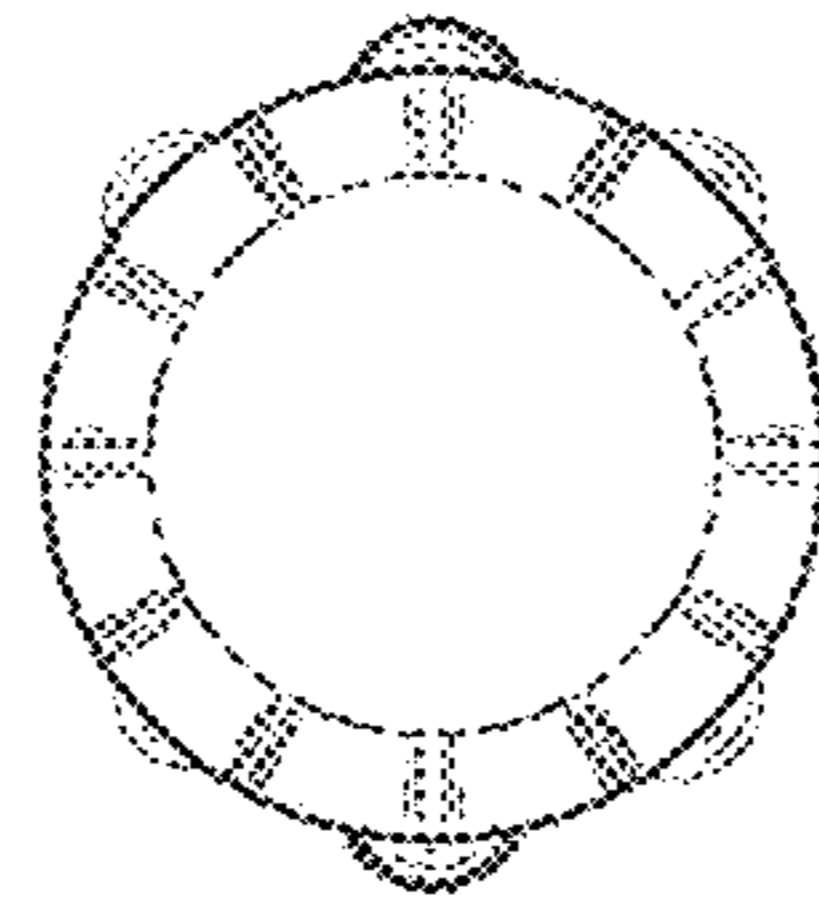


FIG.10

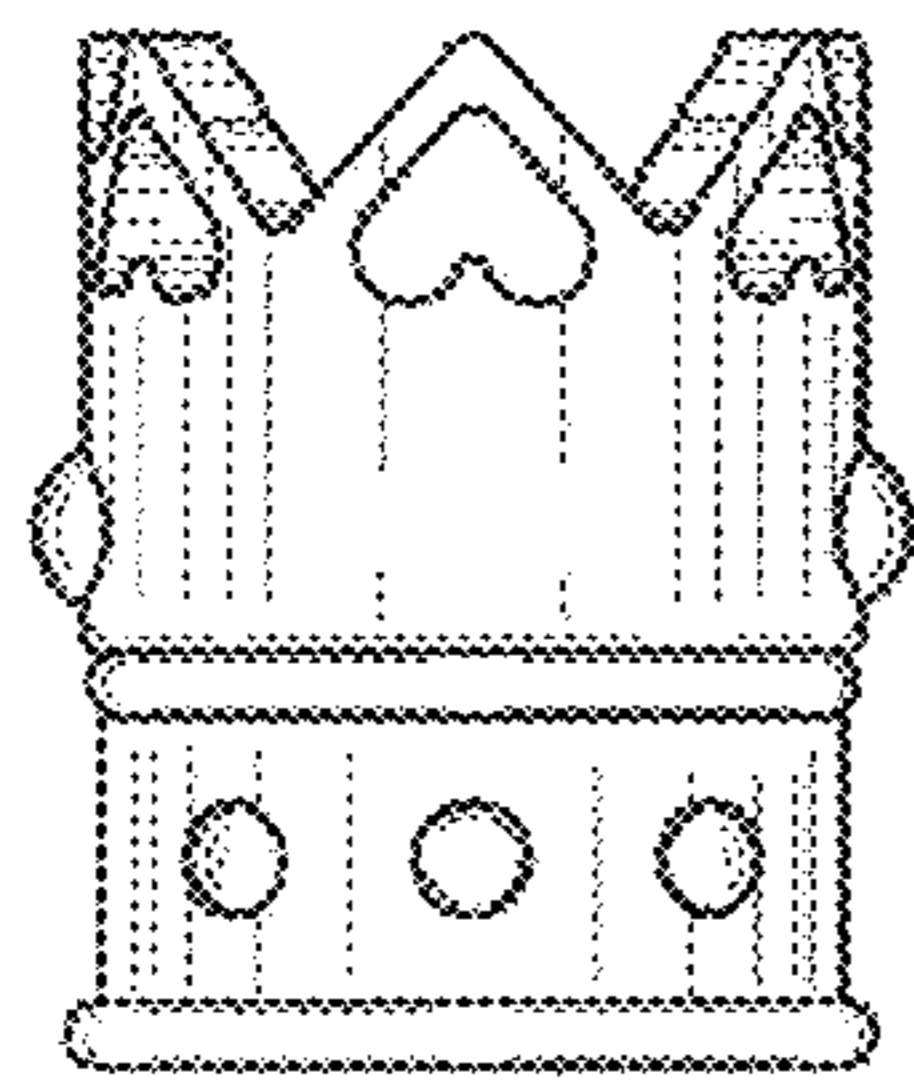


FIG.7

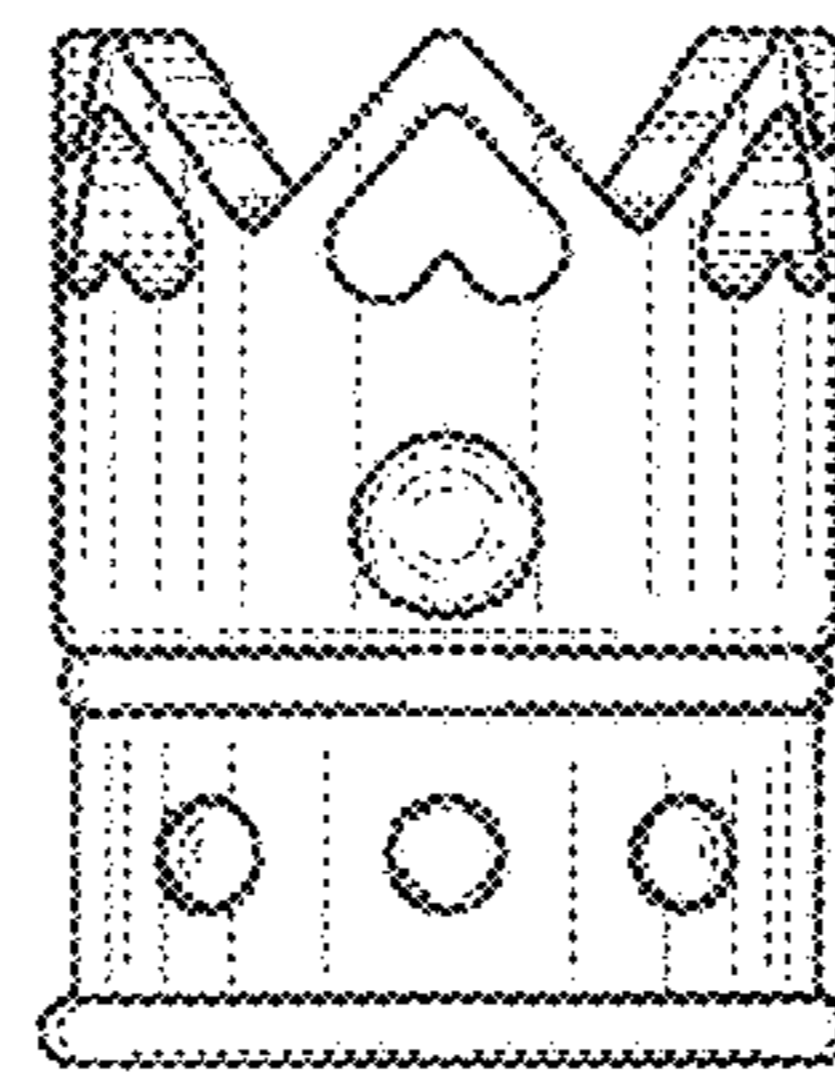


FIG.8

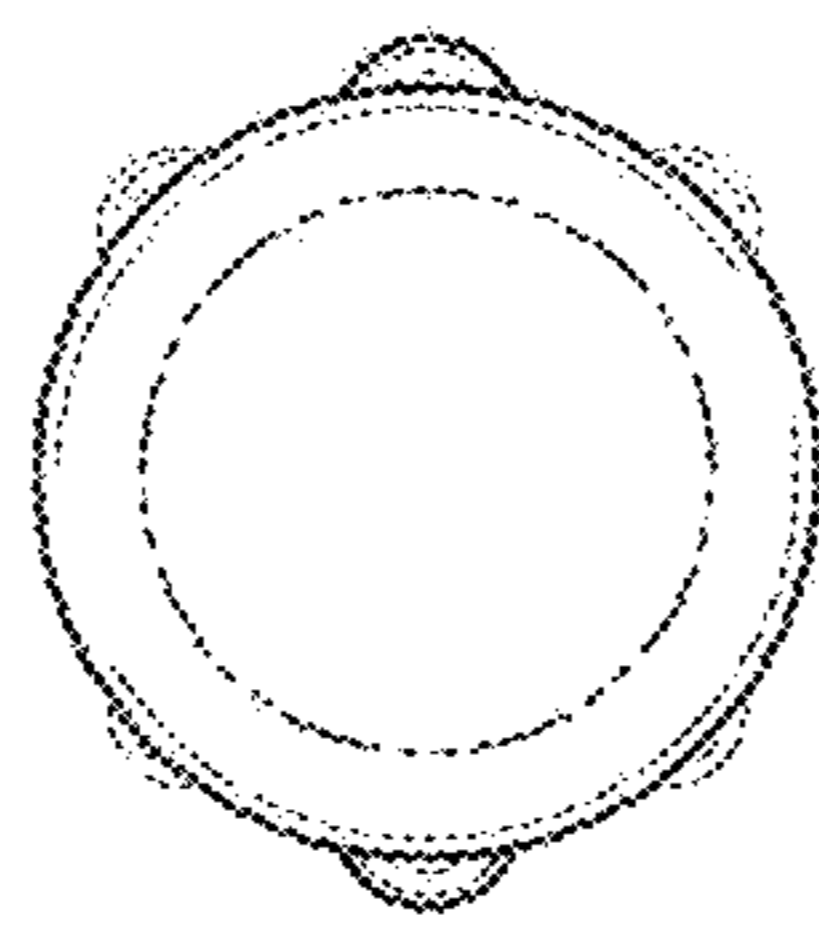


FIG.9



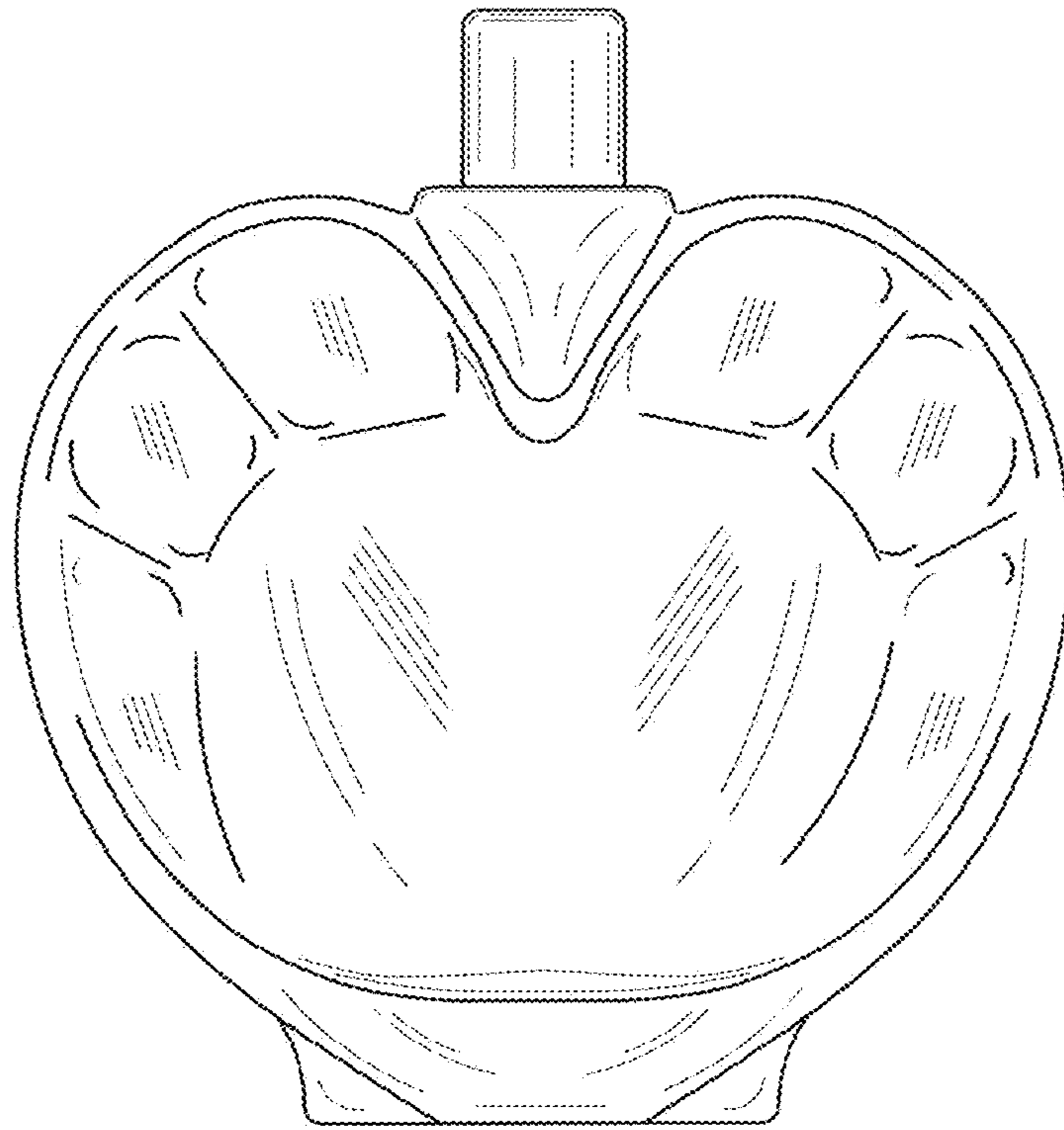


FIG.11

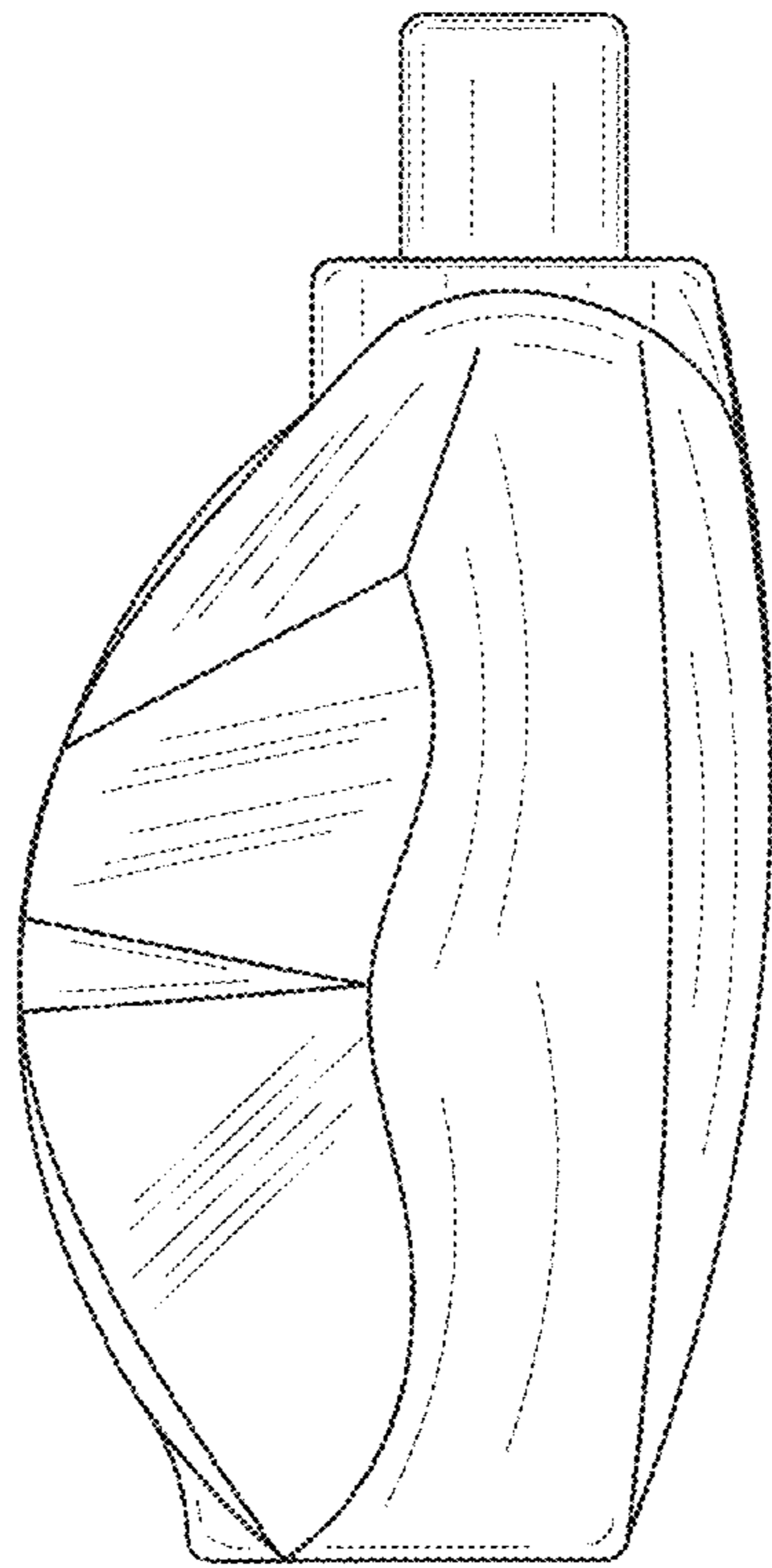


FIG. 12

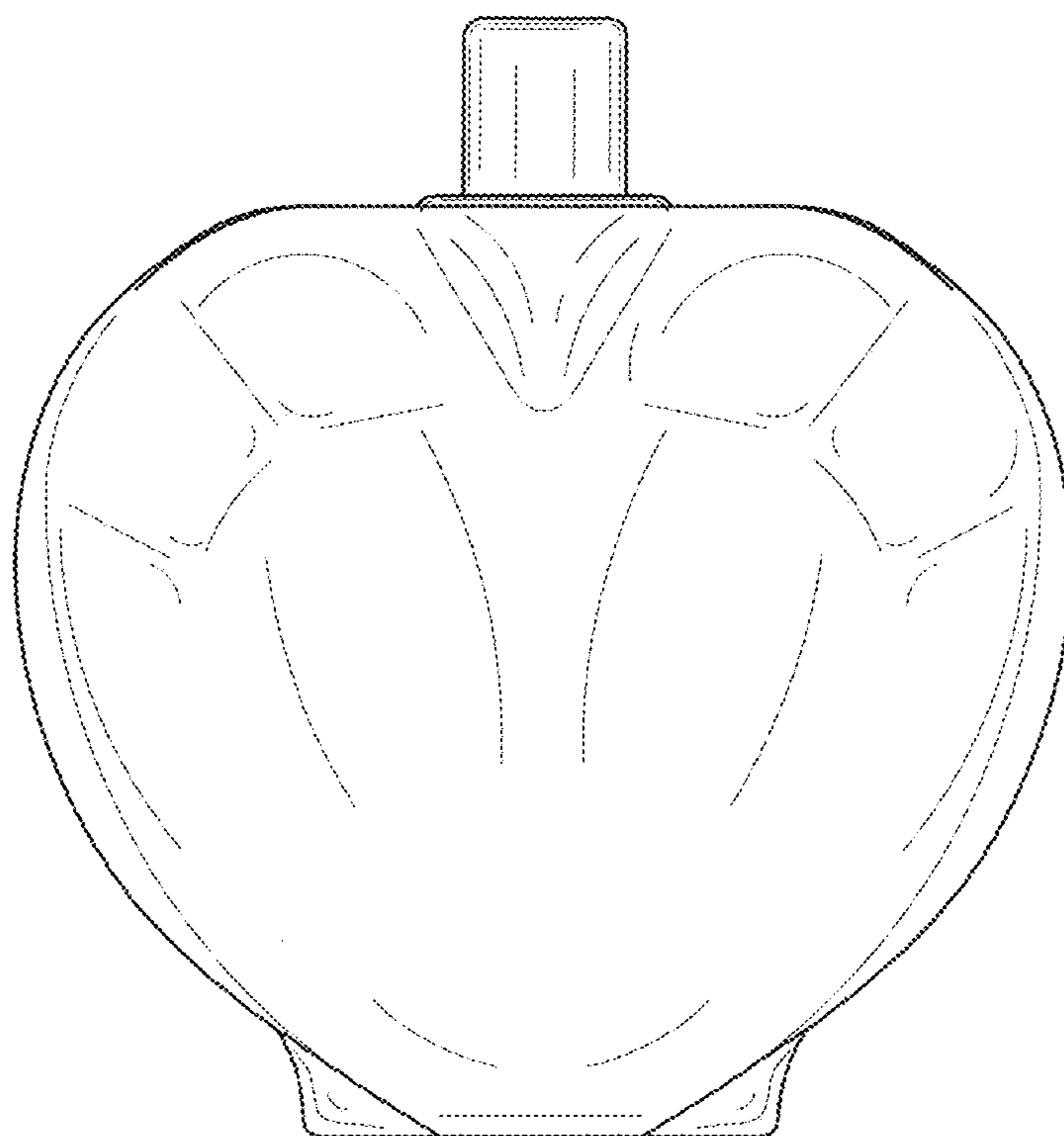


FIG.13

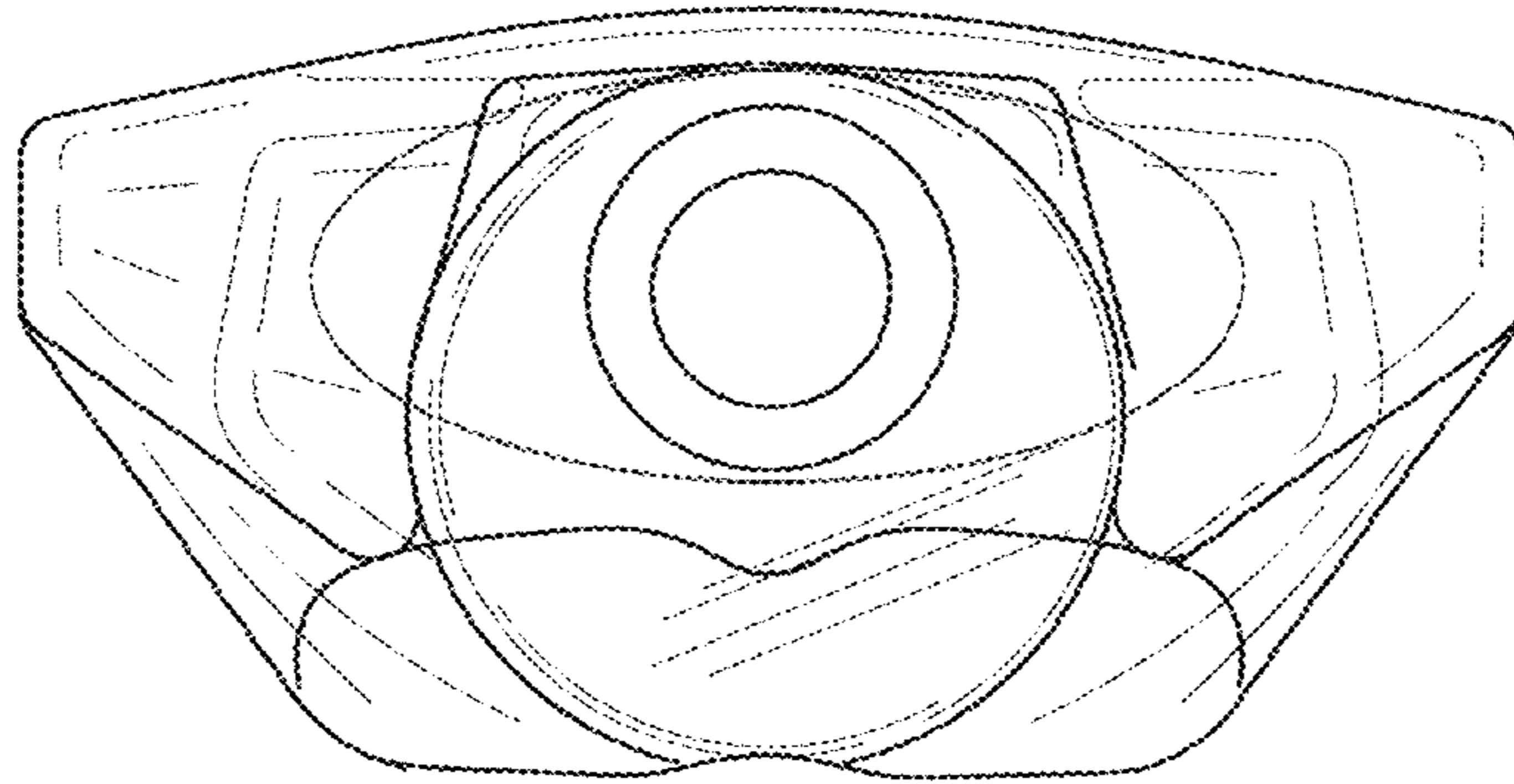


FIG.14

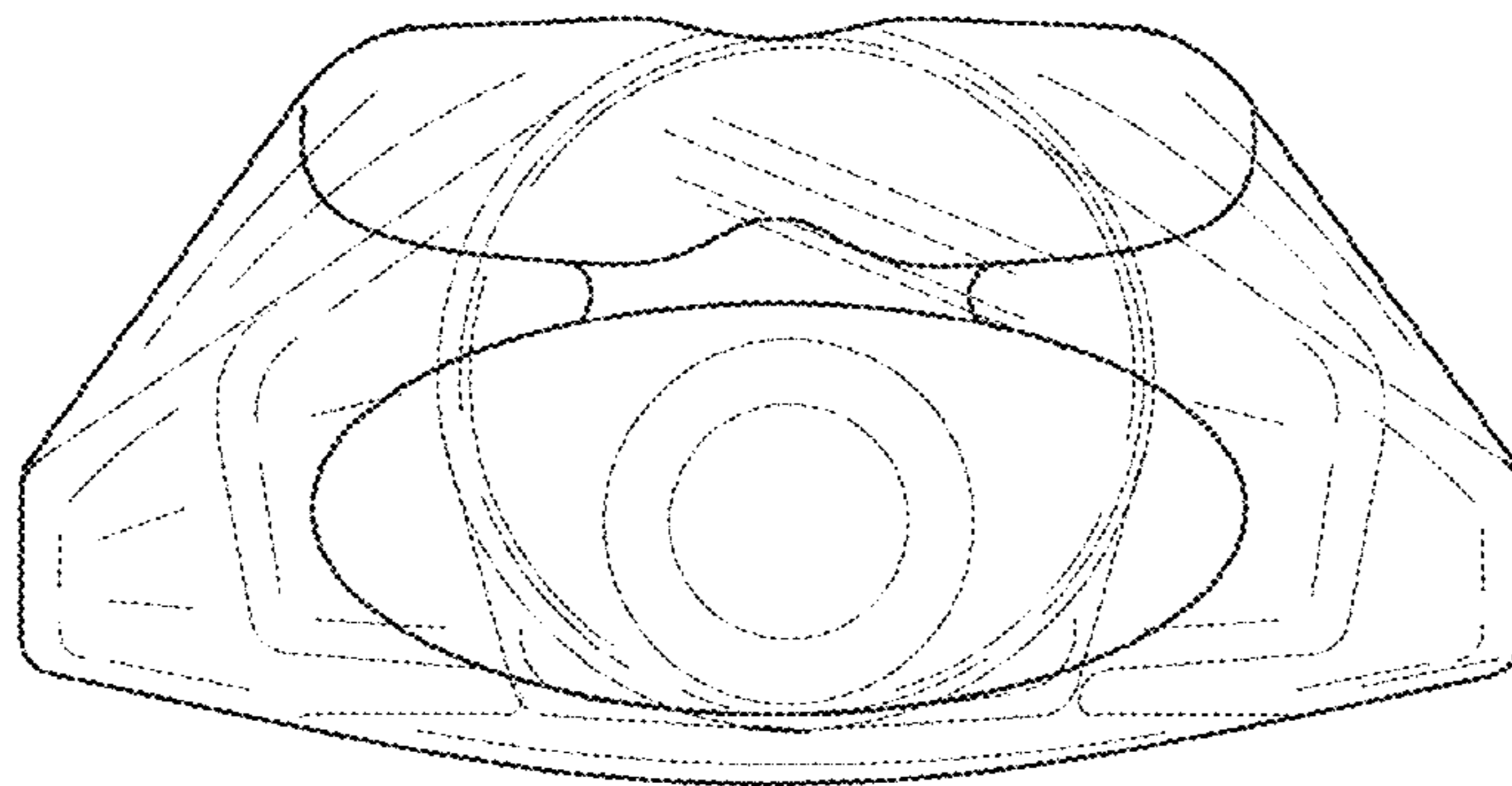


FIG.15