

US00D866338S

(12) **United States Design Patent** (10) **Patent No.:** **US D866,338 S**
Eisen (45) **Date of Patent:** **** Nov. 12, 2019**

(54) BOTTLE	D509,748 S * 9/2005 Carmichael	D9/556
	D516,911 S * 3/2006 Bloom	D9/453
(71) Applicant: MONTBLANC SIMPLO GMBH,	D539,664 S * 4/2007 Janky	D7/529
Hamburg (DE)	D542,136 S * 5/2007 Lilico	D9/520
	D564,884 S * 3/2008 Rittman	D9/452
(72) Inventor: Mark Eisen, Ebene (MU)	D586,186 S * 2/2009 Bhavnani	D7/605
	D595,578 S * 7/2009 Del Tedesco Zamberlan	D28/76
	D596,036 S * 7/2009 Yamamoto	D9/529
(73) Assignee: MONTBLANC SIMPLO GMBH,	D631,169 S * 1/2011 Cheeley	D24/224
Hambourg (DE)	D749,419 S * 2/2016 Grossman	D9/500
	D756,784 S * 5/2016 Fine	D9/500
(**) Term: 15 Years	D767,998 S * 10/2016 Peacock	D9/538
	D769,043 S * 10/2016 Gamelli	D7/300.1
(21) Appl. No.: 35/505,720	D799,970 S * 10/2017 Steel	D9/529

* cited by examiner

Primary Examiner — Rhea Shields

(74) Attorney, Agent, or Firm — Stephen J. Weyer, Esq.;
Stites & Harbison, PLLC

(80) **Hague Agreement Data**
 Int. Filing Date: **Sep. 3, 2018**
 Int. Reg. No.: **DM/102874**
 Int. Reg. Date: **Sep. 3, 2018**
 Int. Reg. Pub. Date: **Sep. 28, 2018**

(57) **CLAIM**

The ornamental design for a bottle, as shown and described.

(51) **LOC (12) Cl.** **09-01**
 (52) **U.S. Cl.**
 USPC **D9/550**
 (58) **Field of Classification Search**
 USPC D9/550, 529, 538, 500, 452, 520, 453,
 D9/505; D28/76; D7/300.1, 605, 529,
 D7/635; D24/224
 CPC B65D 33/00; B65D 75/5872
 See application file for complete search history.

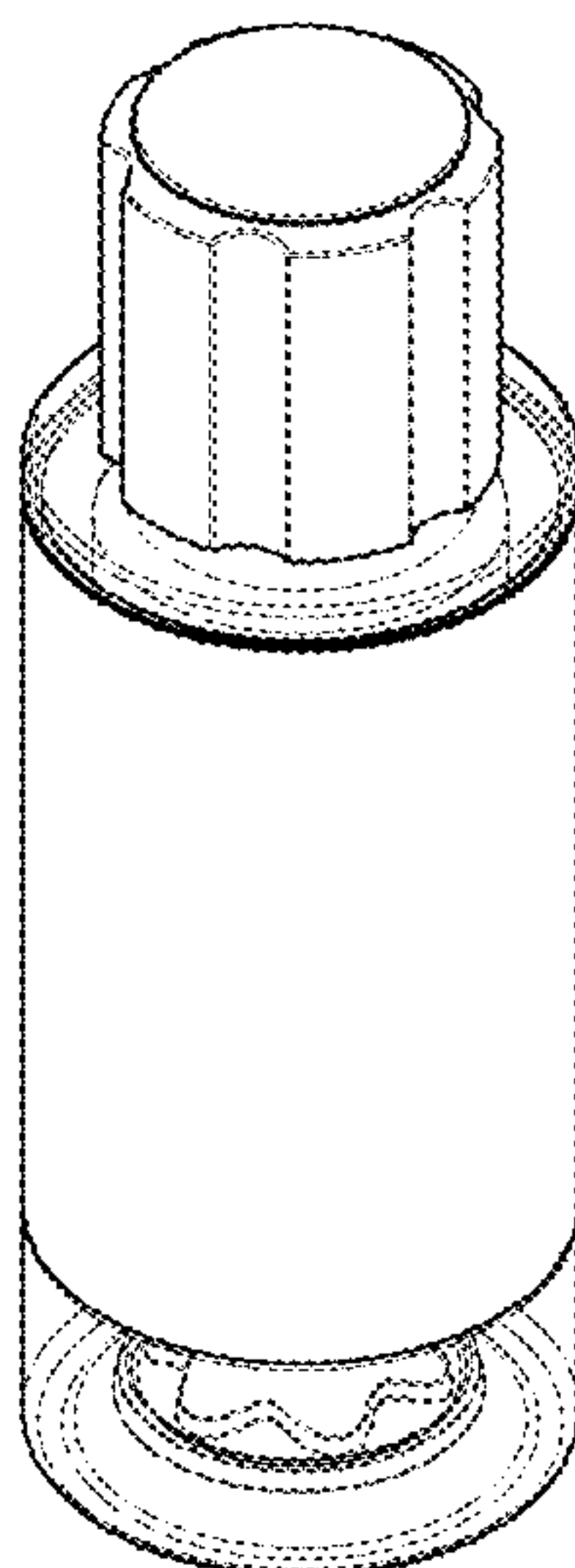
DESCRIPTION

- 1.-2. Bottle
- 1.1 : Perspective
- 1.2 : Front
- 1.3 : Back
- 1.4 : Left
- 1.5 : Right
- 1.6 : Top
- 1.7 : Bottom
- 2.1 : Perspective
- 2.2 : Front
- 2.3 : Back
- 2.4 : Left
- 2.5 : Right
- 2.6 : Top
- 2.7 : Bottom

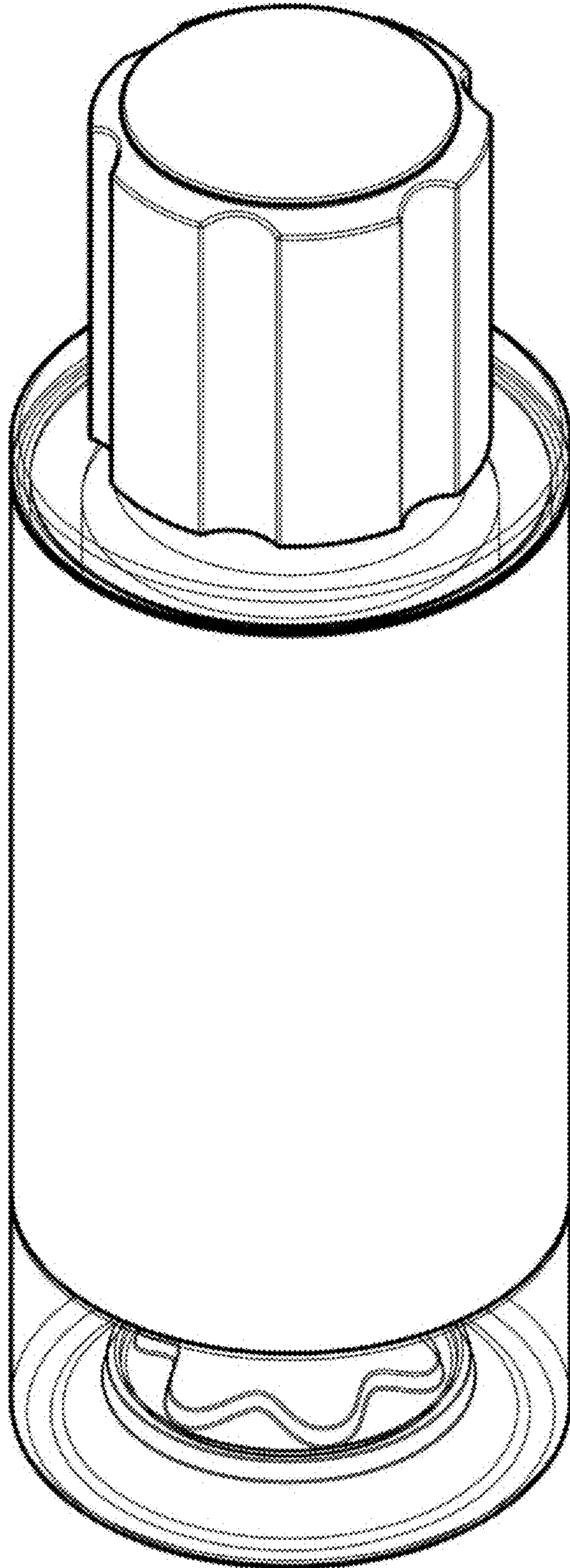
(56) **References Cited**
 U.S. PATENT DOCUMENTS

D93,650 S	*	10/1934	Fleisch	D8/DIG. 2
D101,623 S	*	10/1936	Fleisch	D8/DIG. 2
D111,794 S	*	10/1938	Oswell	D7/635
D259,768 S	*	7/1981	Banasiak, Jr.	D9/505
4,290,466 A	*	9/1981	Villa	B65D 75/5872 206/216

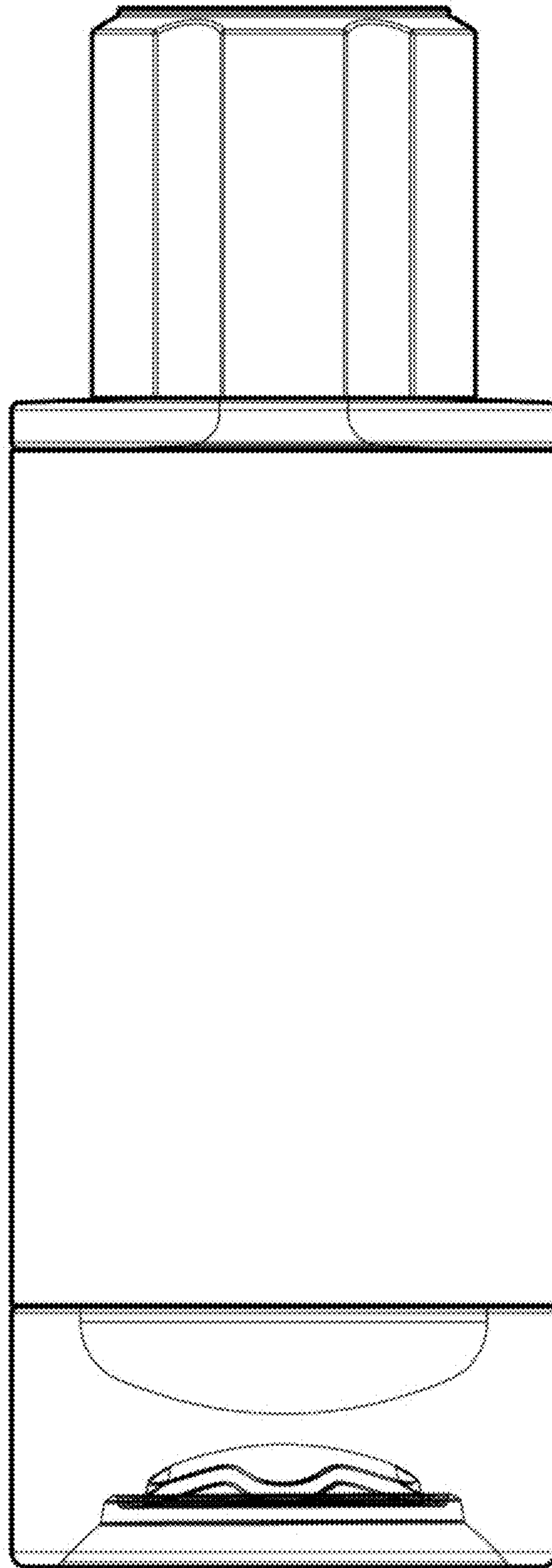
1 Claim, 14 Drawing Sheets



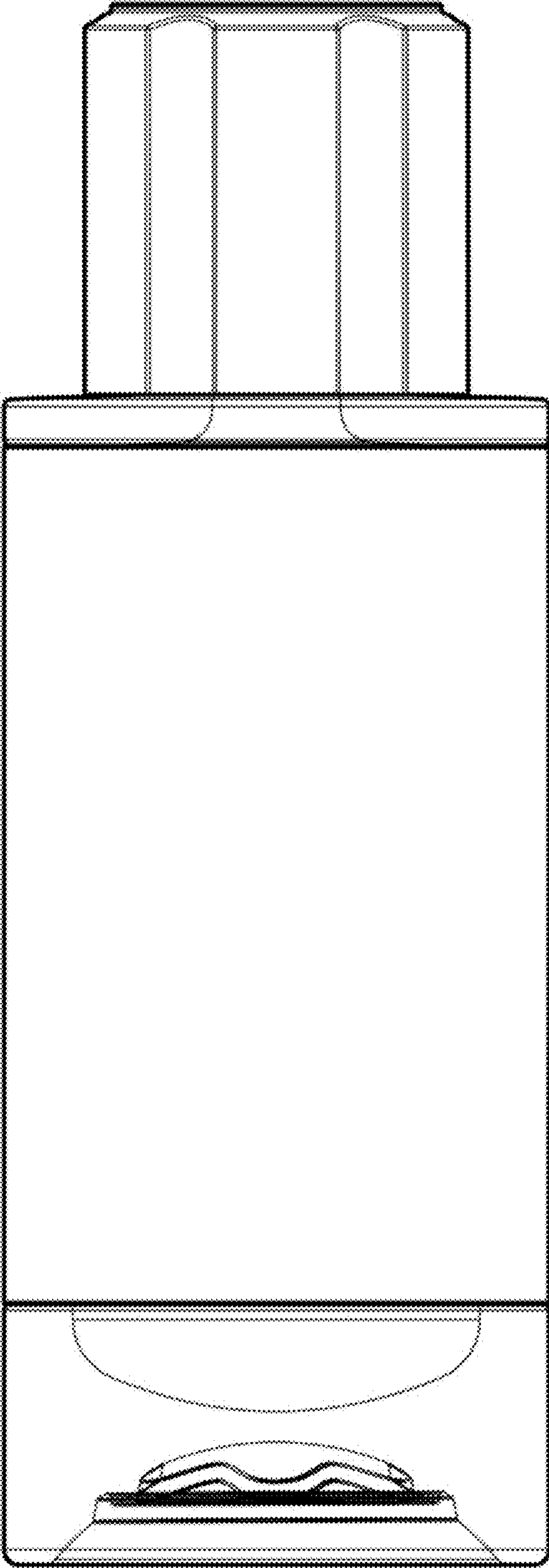
1.1



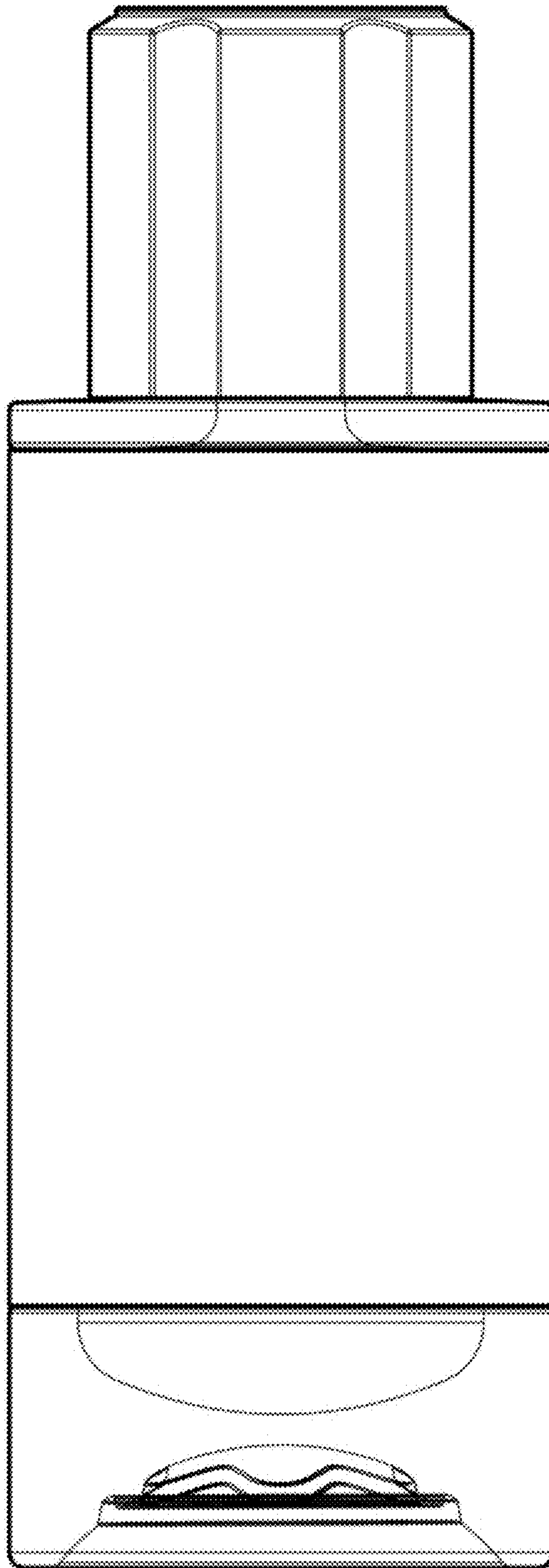
1.2



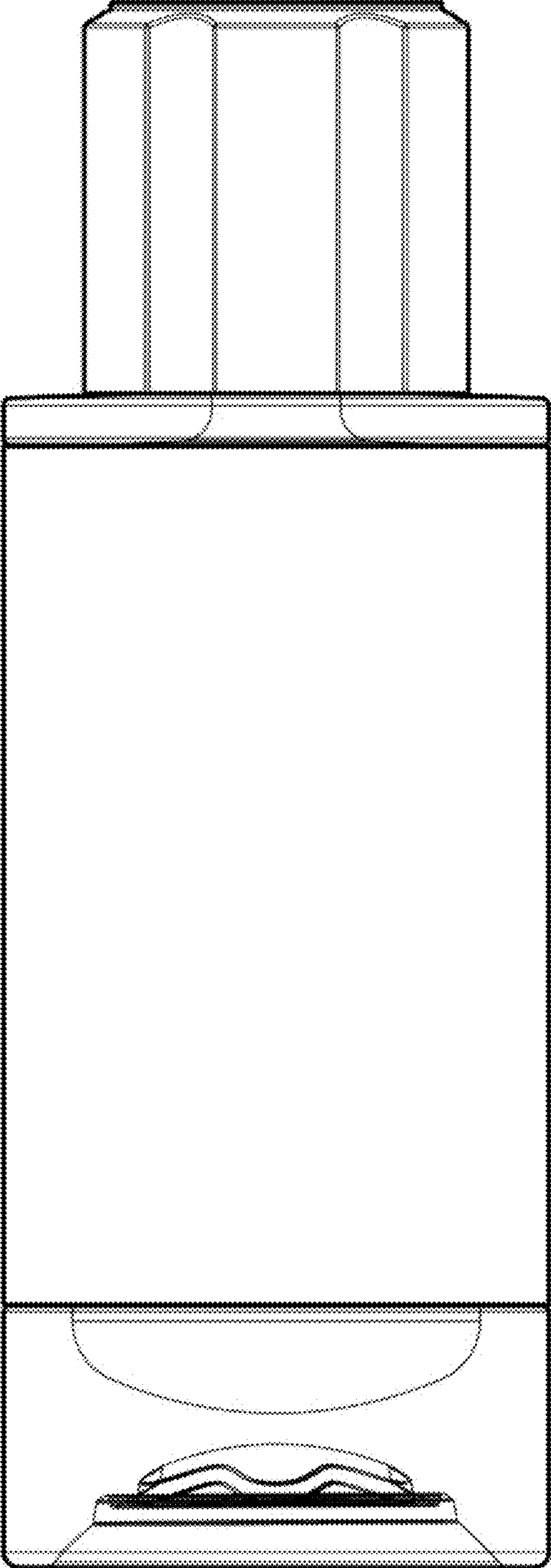
1.3



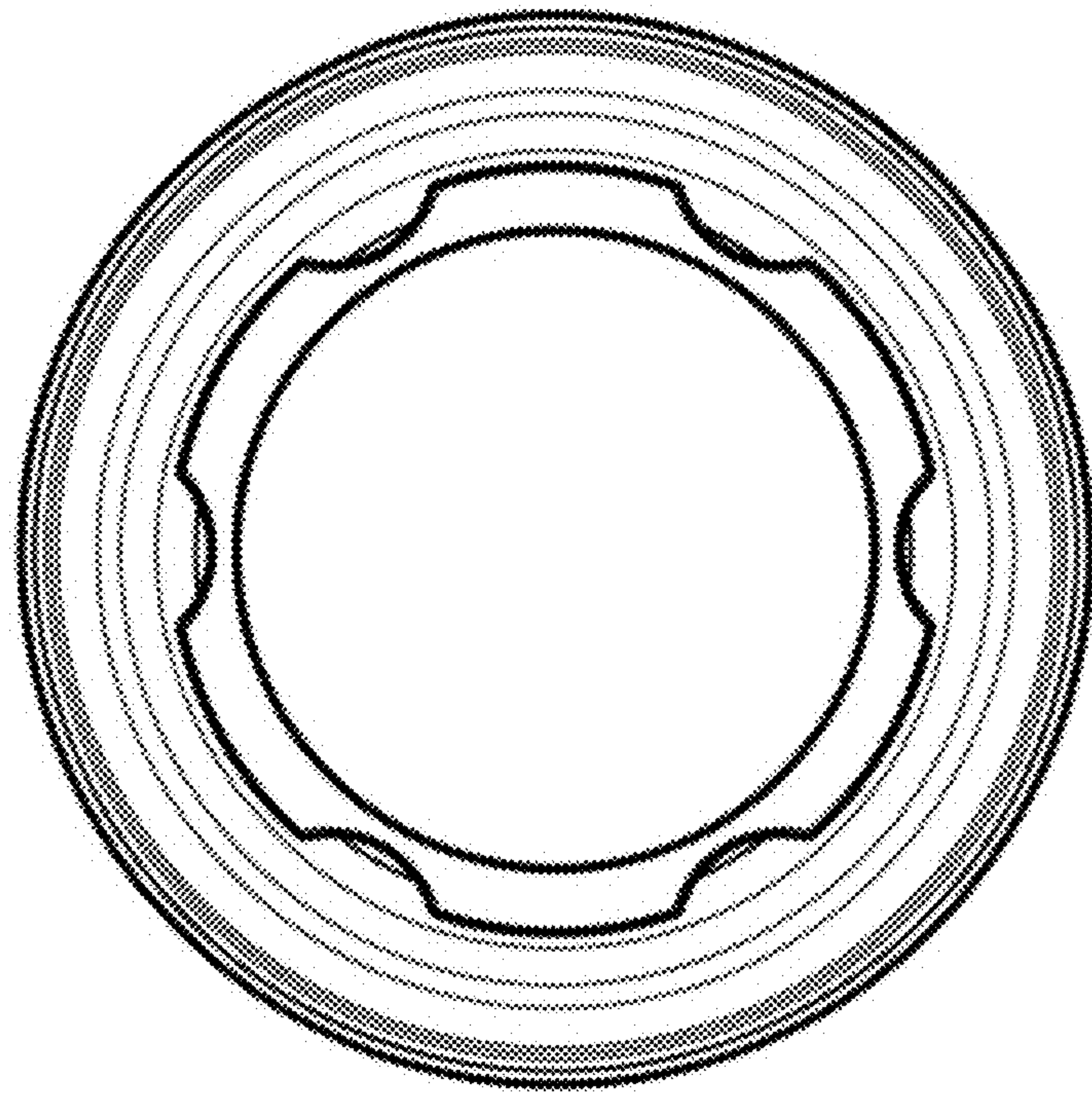
1.4



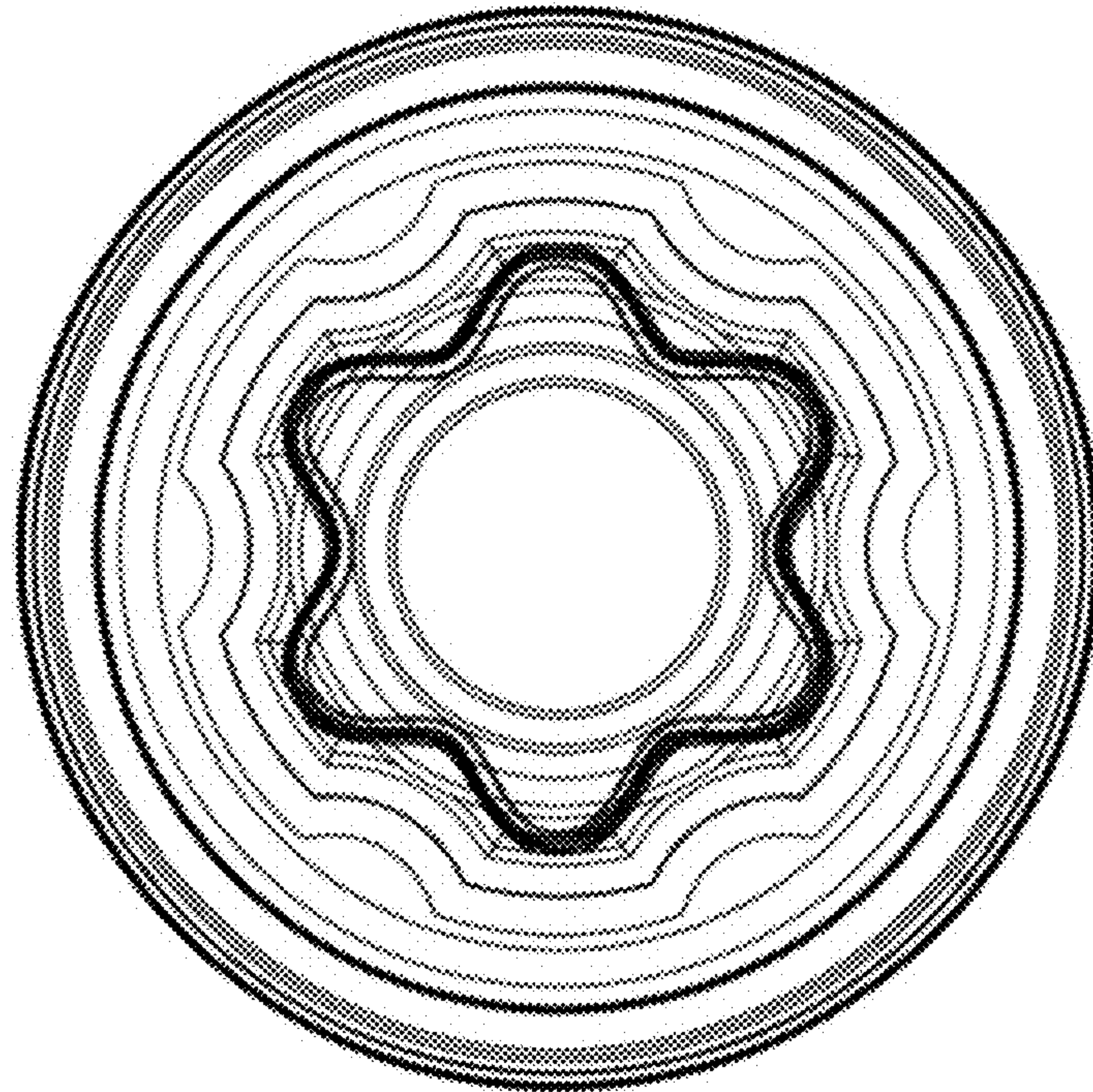
1.5



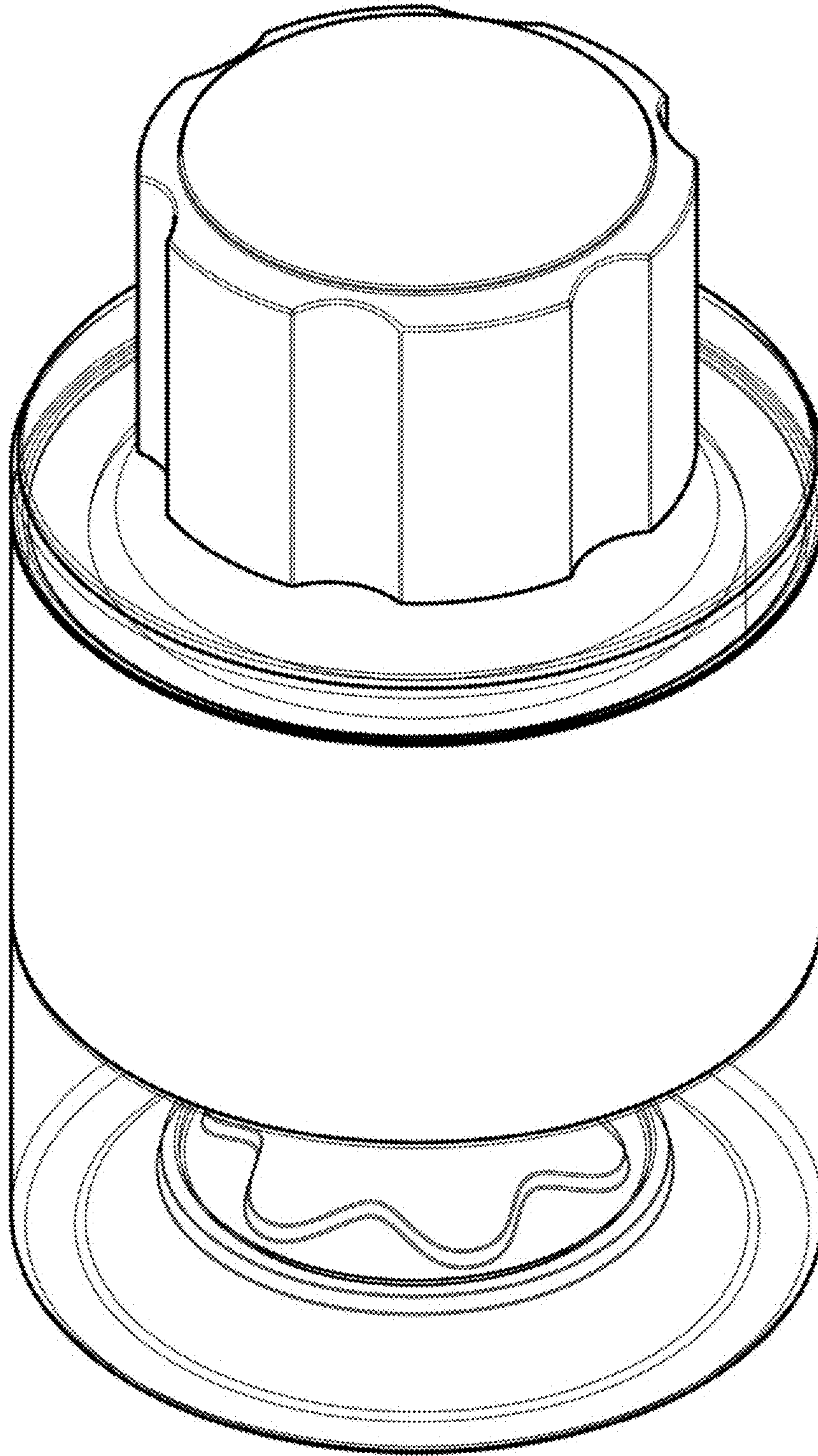
1.6



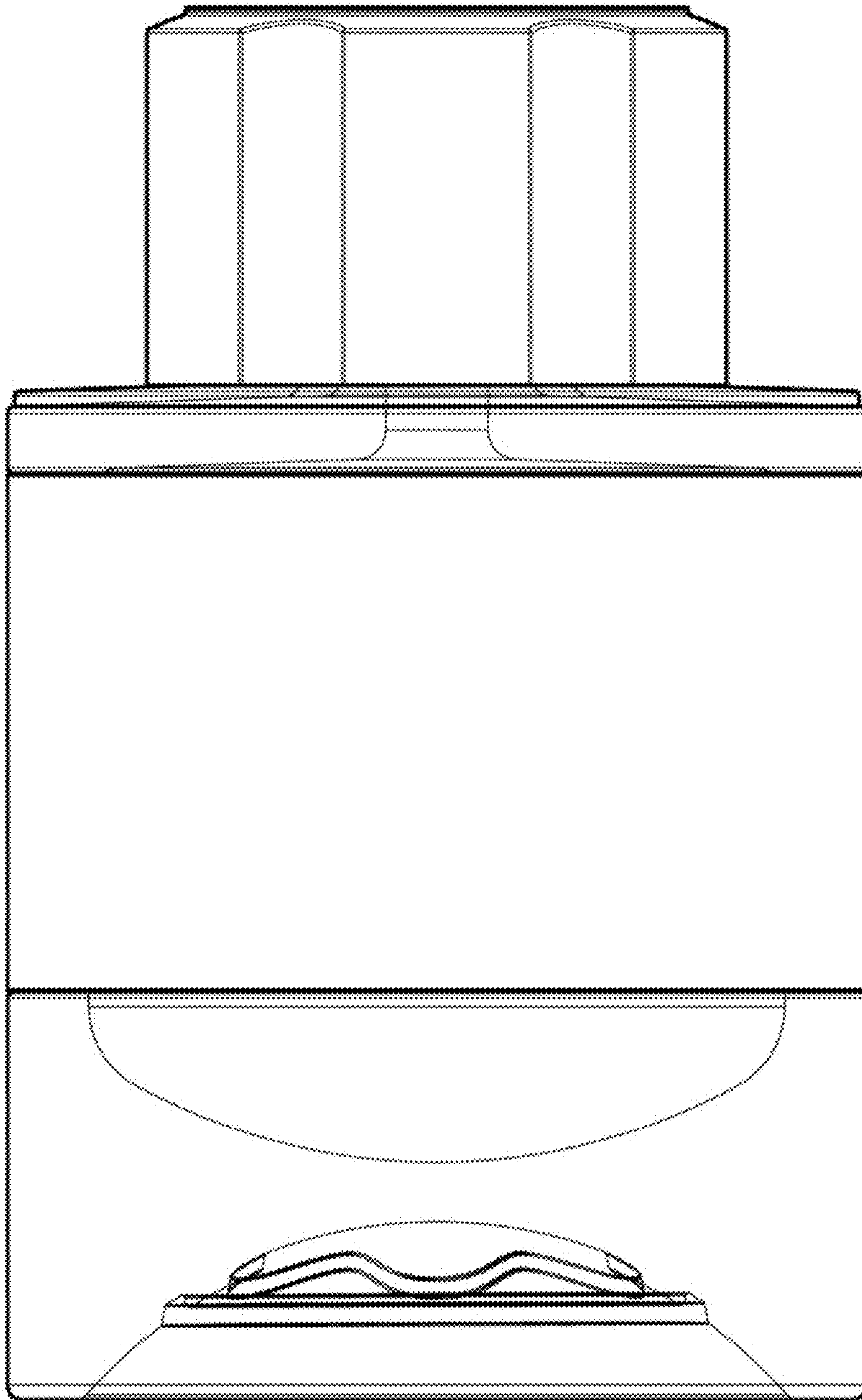
1.7



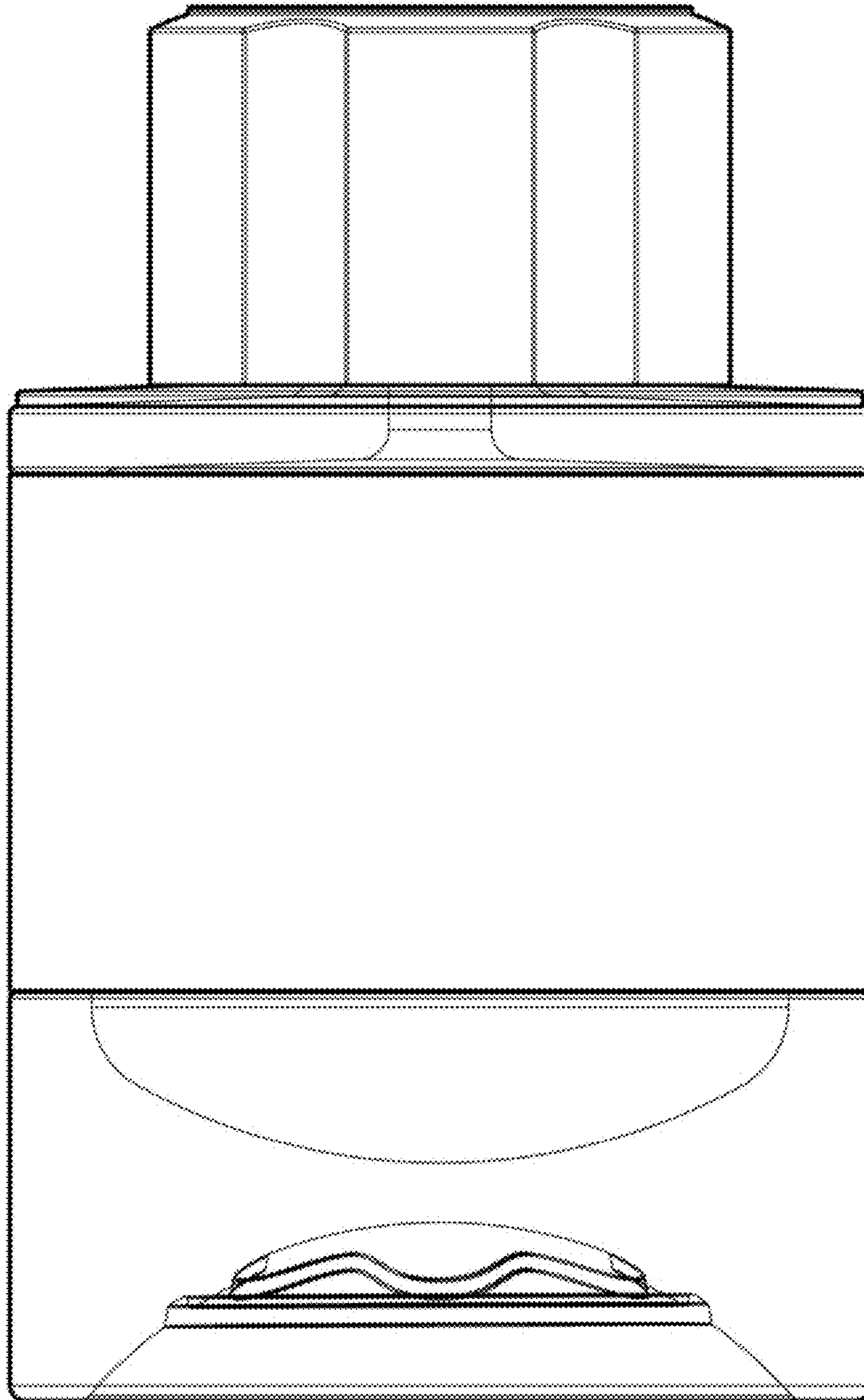
2.1



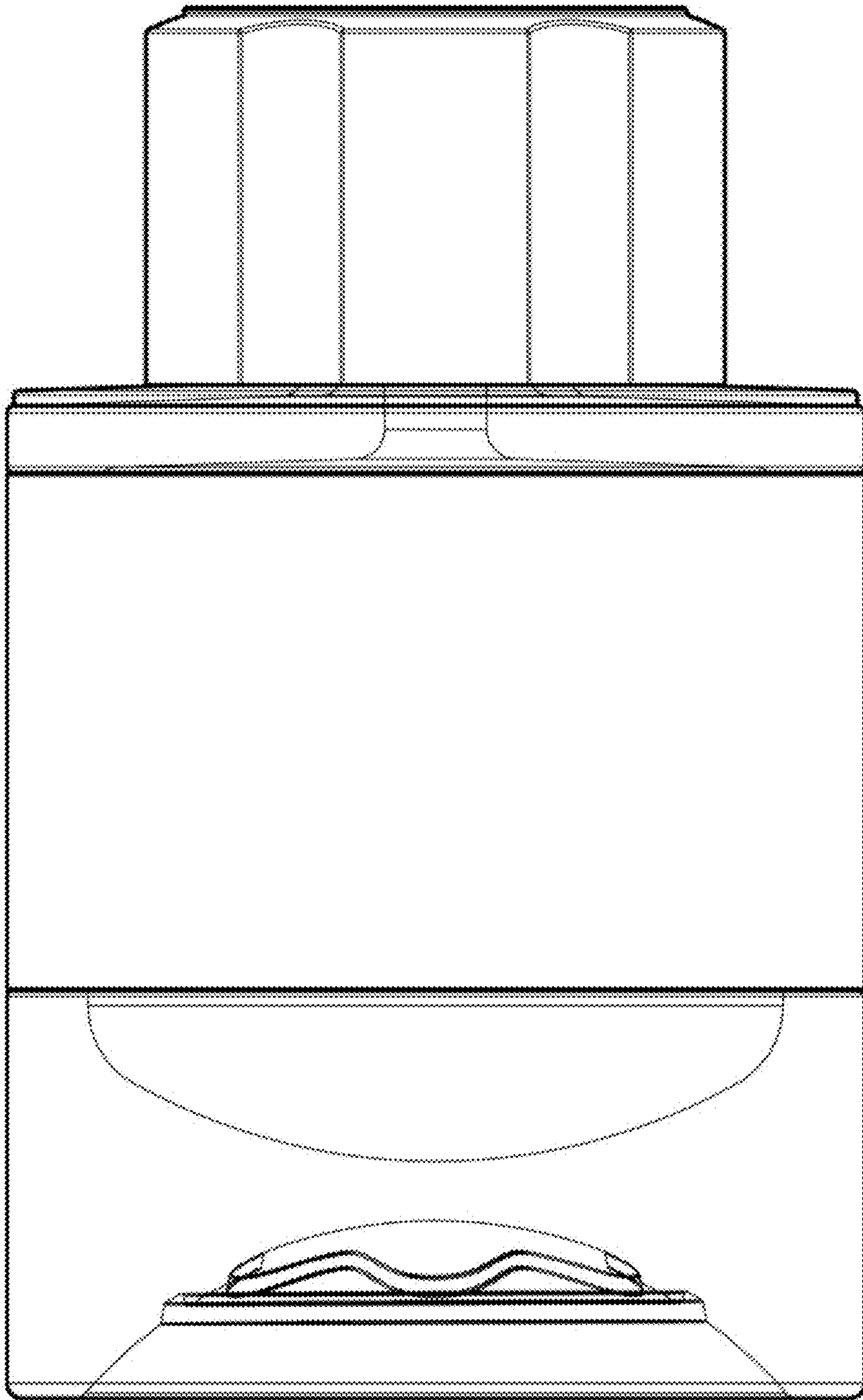
2.2



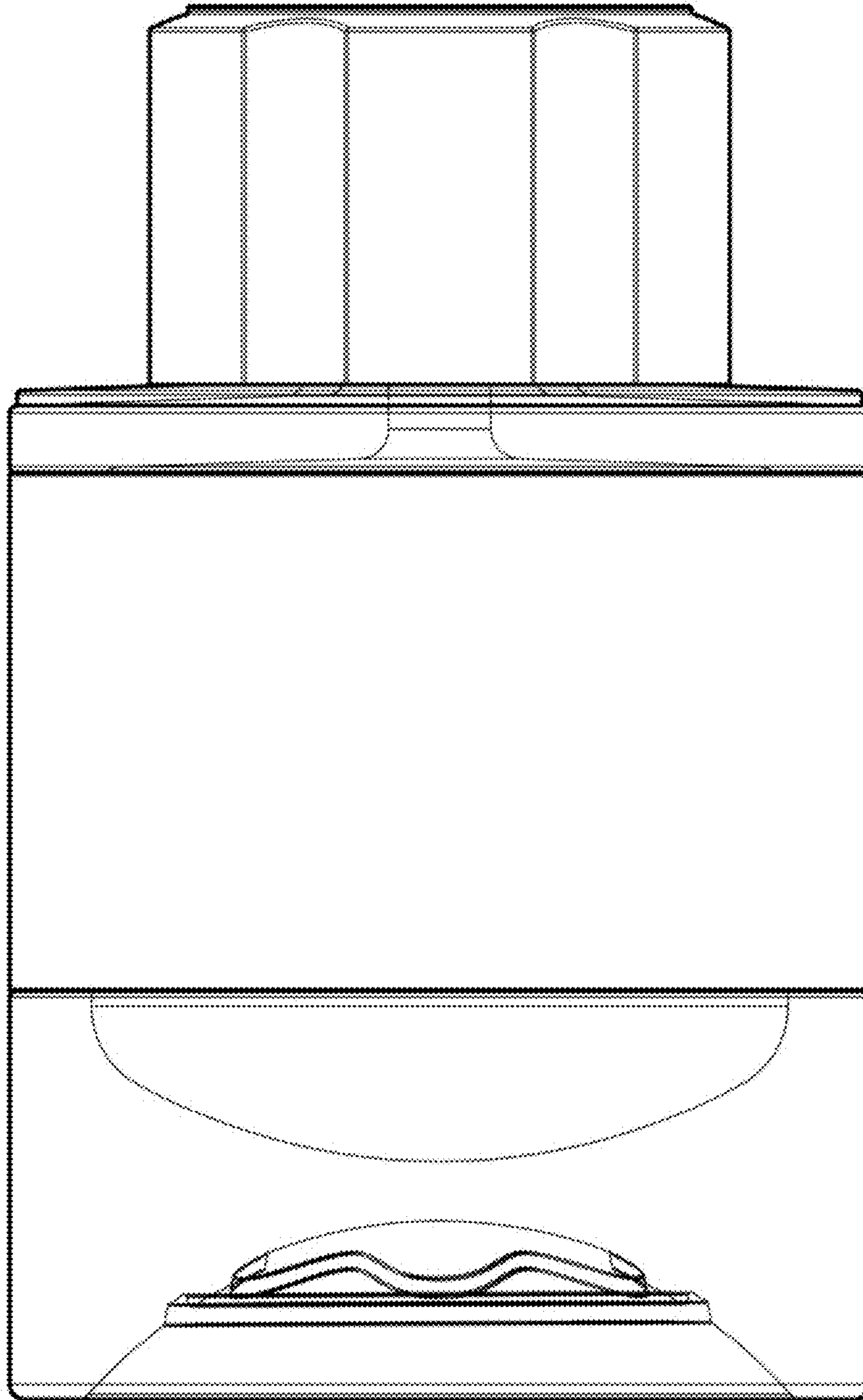
2.3



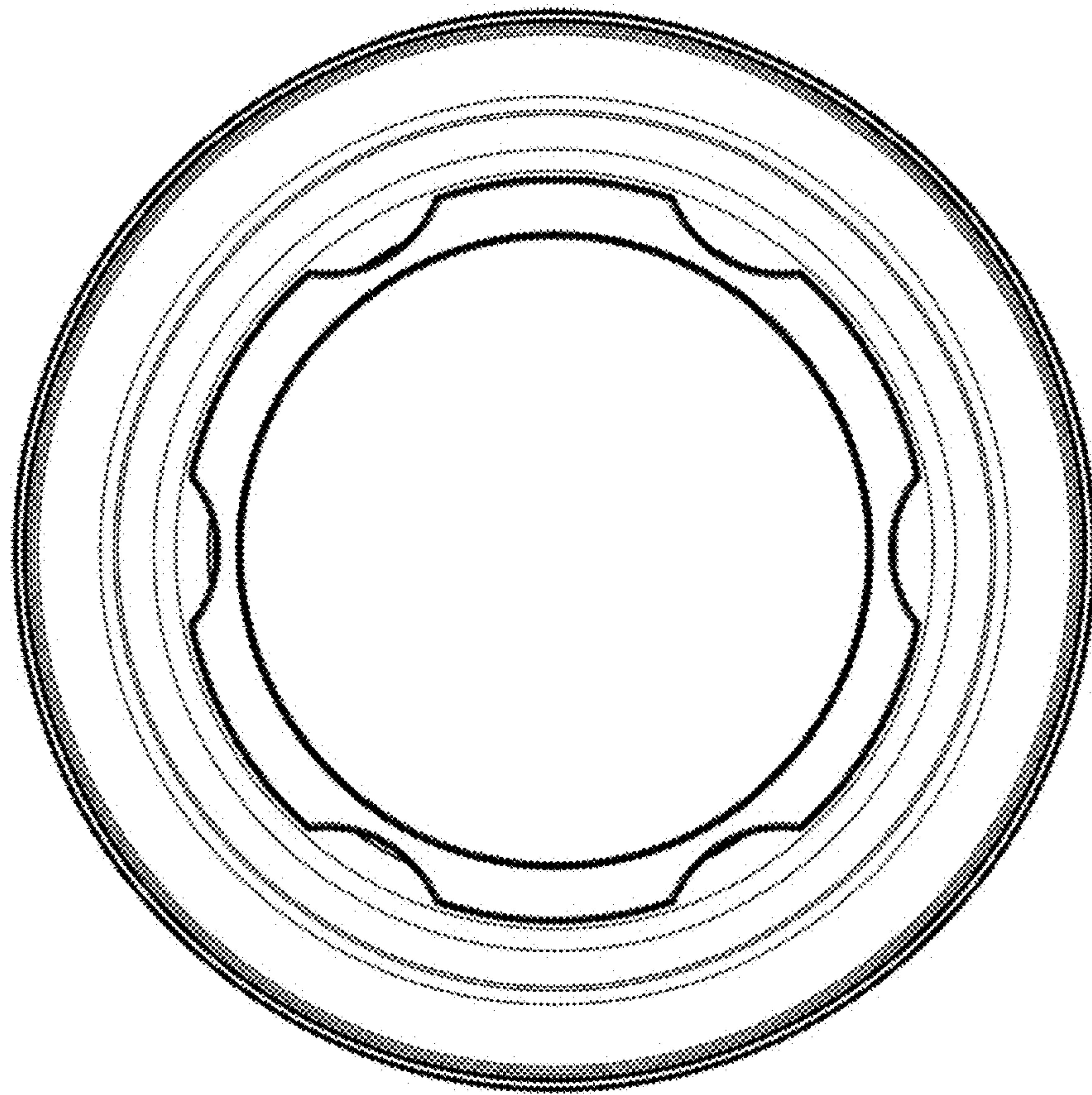
2.4



2.5



2.6



2.7

