



US00D866335S

(12) **United States Design Patent**  
**Klok et al.**

(10) **Patent No.:** **US D866,335 S**

(45) **Date of Patent:** **\*\* Nov. 12, 2019**

(54) **BOTTLE**

(71) Applicant: **The Coca-Cola Company**, Atlanta, GA (US)

(72) Inventors: **Jeffrey Klok**, Atlanta, GA (US);  
**Venkat Govindarajan**, Duluth, GA (US); **Feng Shi**, Marietta, GA (US);  
**Sterling Lane Steward**, Douglasville, GA (US); **Martin T. Geithmann**,  
Lexington, KY (US)

(73) Assignee: **The Coca-Cola Company**, Atlanta, GA (US)

(\*\*) Term: **15 Years**

(21) Appl. No.: **29/639,364**

(22) Filed: **Mar. 6, 2018**

(51) **LOC (12) Cl.** ..... **09-01**

(52) **U.S. Cl.**  
USPC ..... **D9/516; D9/558**

(58) **Field of Classification Search**  
USPC ..... D9/516, 520, 522, 530, 537, 539, 540,  
D9/542, 543, 544, 549, 550, 552, 553,  
D9/554, 556, 557, 558, 571, 574, 715,  
D9/719

CPC ..... B65D 81/00; B65D 1/02; B65D 1/0207;  
B65D 1/0223; B65D 1/0284; B65D  
2501/0027

See application file for complete search history.

(56) **References Cited**

**U.S. PATENT DOCUMENTS**

D501,404 S \* 2/2005 Dalton ..... D9/539  
D611,828 S \* 3/2010 Lepoitevin ..... D9/538

D619,899 S \* 7/2010 Mero ..... D9/516  
D623,529 S \* 9/2010 Yourist ..... D9/538  
D624,427 S \* 9/2010 Yourist ..... D9/538  
D651,905 S \* 1/2012 Bartolomei ..... D9/538  
D653,957 S \* 2/2012 Yourist ..... D9/552  
D656,833 S \* 4/2012 Perez ..... D9/538  
D749,423 S \* 2/2016 Daniel ..... D9/539  
D763,090 S \* 8/2016 Zeng ..... D9/538  
D773,310 S \* 12/2016 Zeng ..... D9/538  
D779,959 S \* 2/2017 Price ..... D9/500  
D810,570 S \* 2/2018 Price ..... D9/500

\* cited by examiner

*Primary Examiner* — Ian Simmons

*Assistant Examiner* — Keith Frank

(74) *Attorney, Agent, or Firm* — Parks IP Law LLC

(57) **CLAIM**

We claim the ornamental design for a bottle, as shown and described.

**DESCRIPTION**

FIG. 1 is a perspective view of the bottle in accordance with our new design;

FIG. 2 is a right view thereof;

FIG. 3 is a left view thereof;

FIG. 4 is a front view thereof;

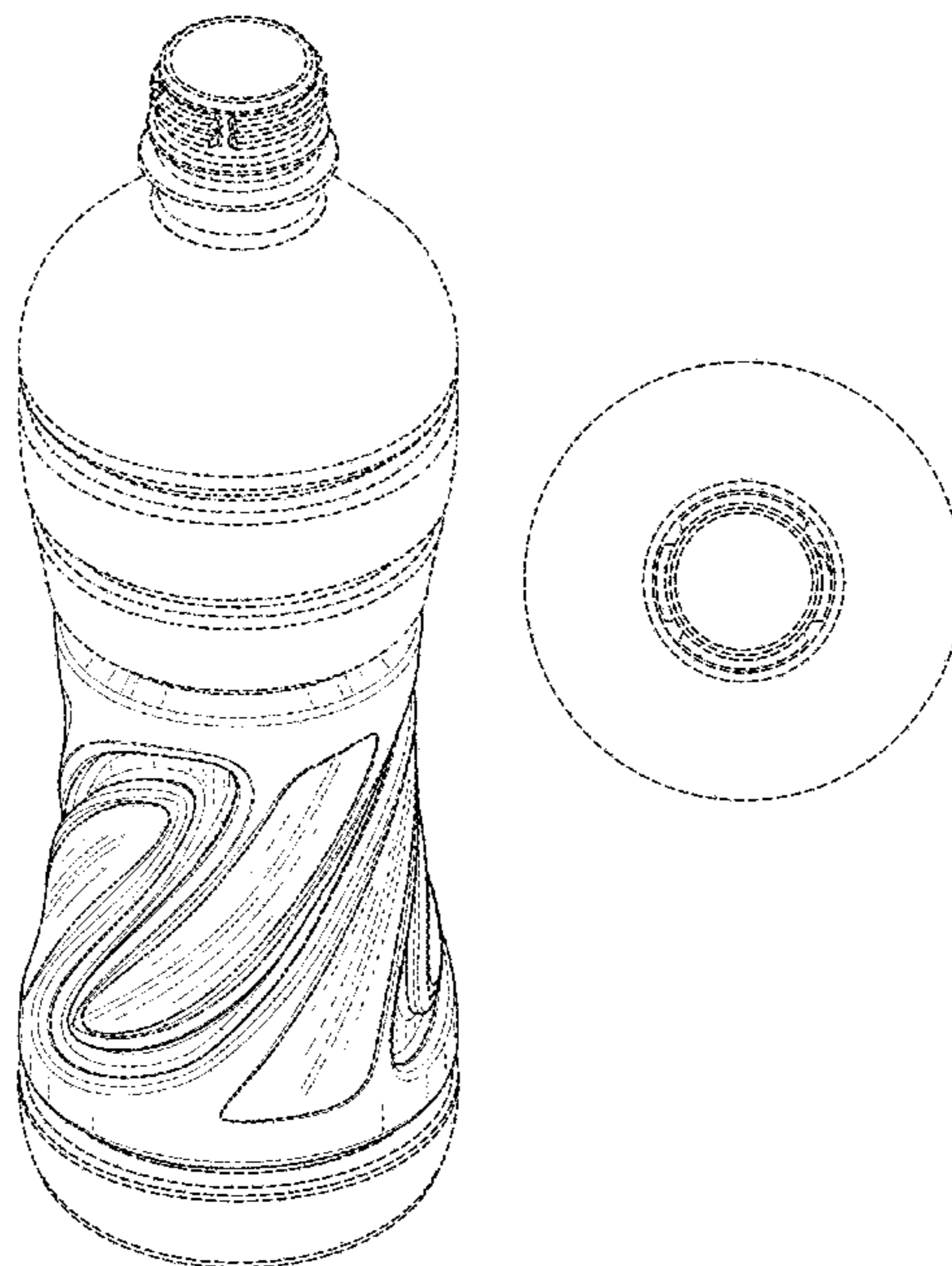
FIG. 5 is a back view thereof;

FIG. 6 is a top view thereof; and;

FIG. 7 is a bottom view thereof.

The broken lines in the drawings showing the bottle illustrate the portions of the bottle that form no part of the claimed design.

**1 Claim, 4 Drawing Sheets**



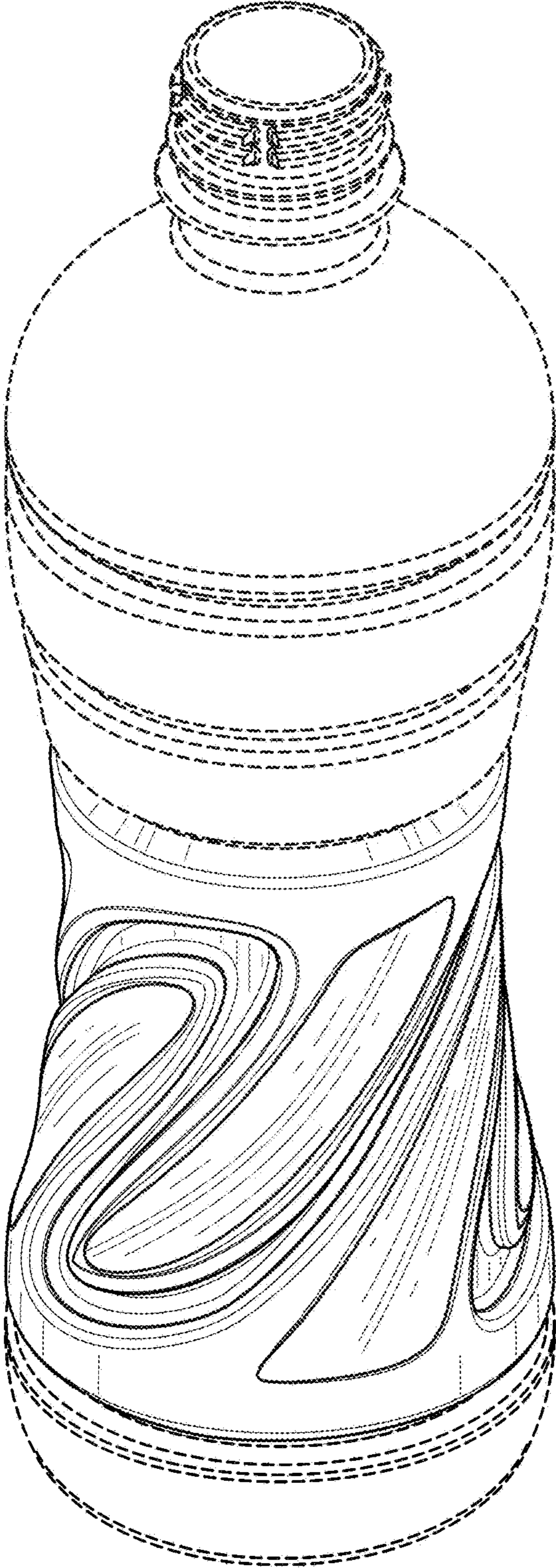
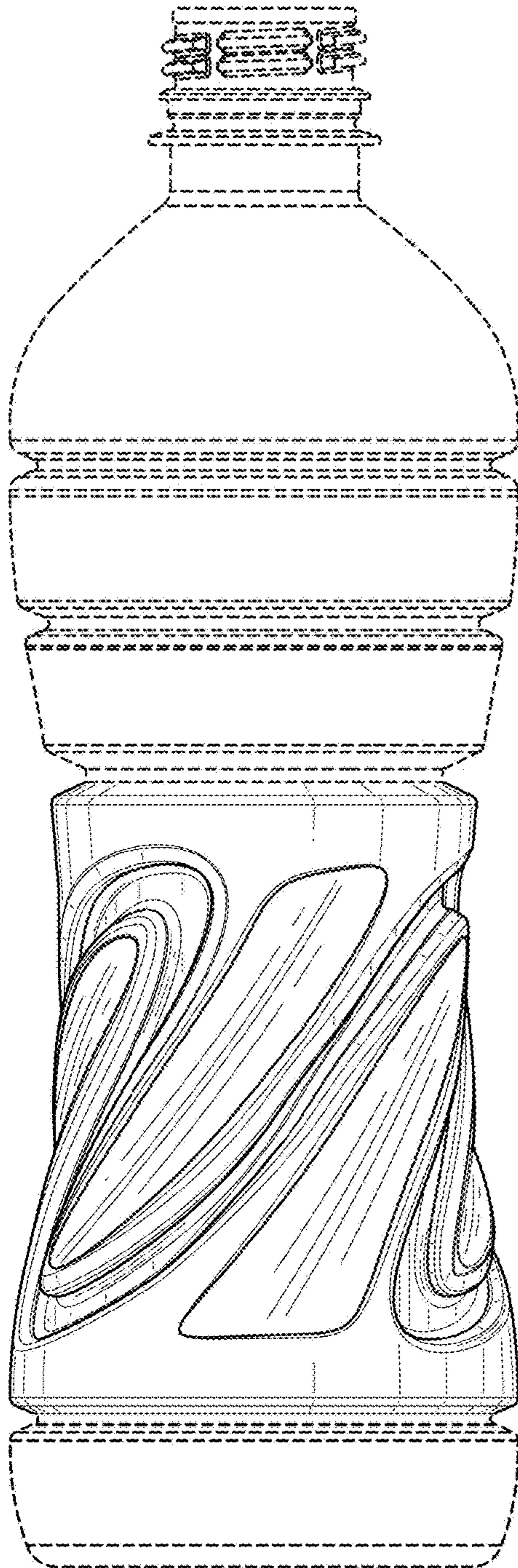
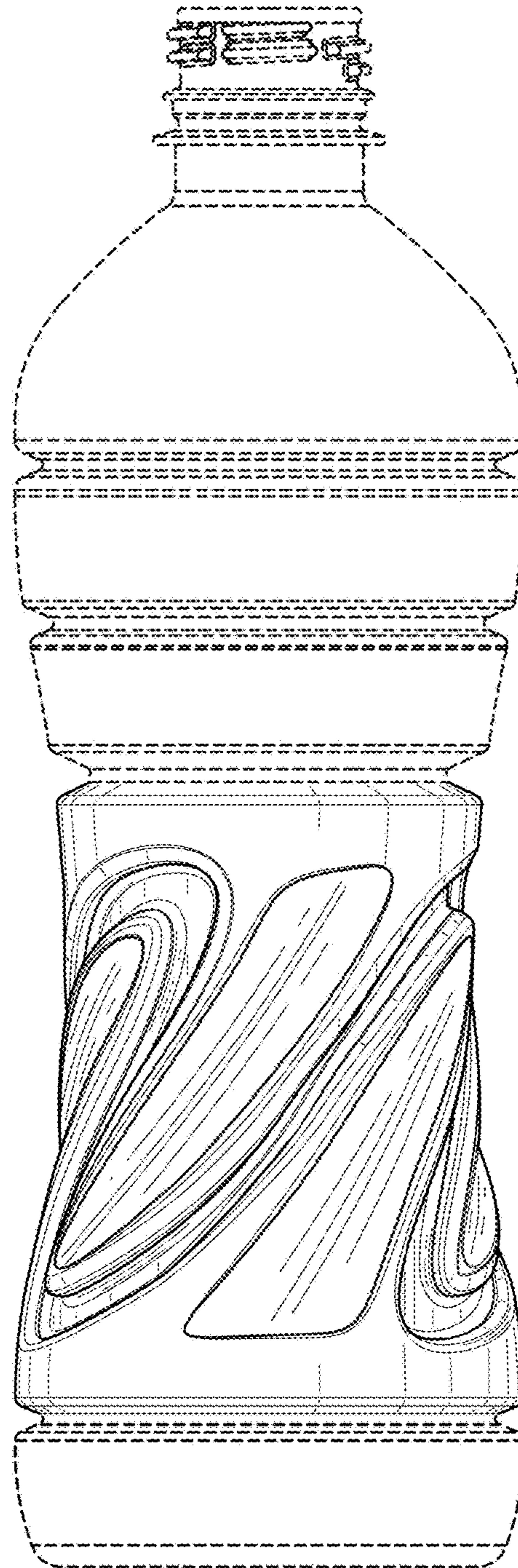


FIG. 1



**FIG. 2**



**FIG. 3**

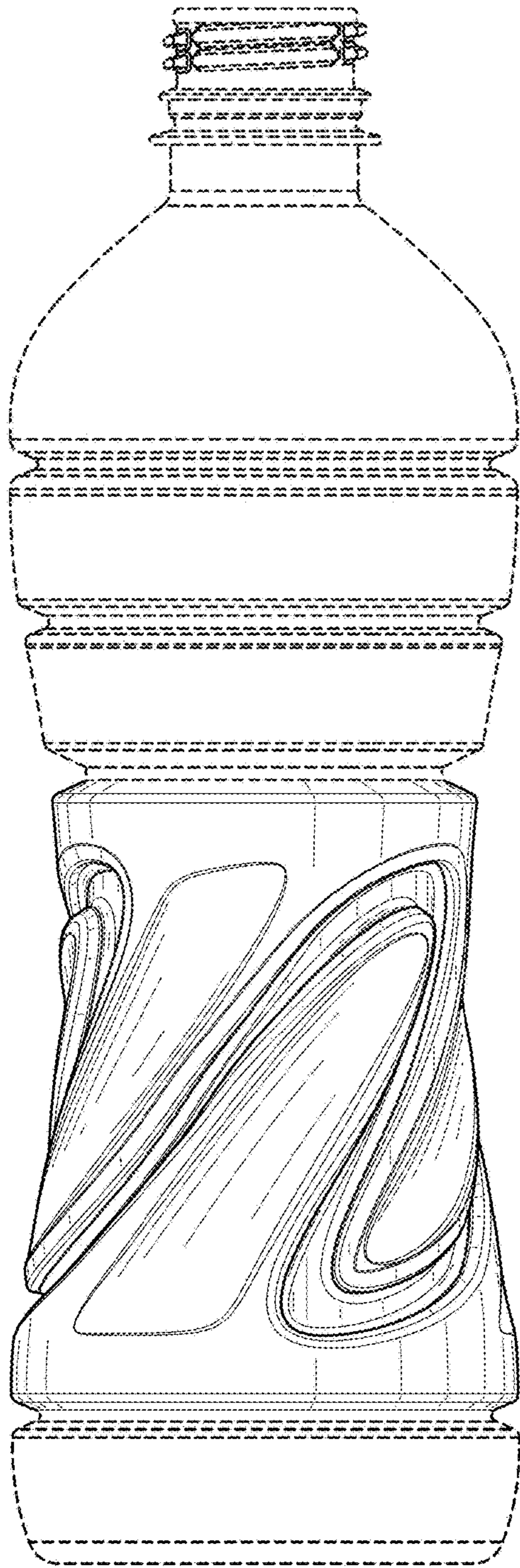


FIG. 4

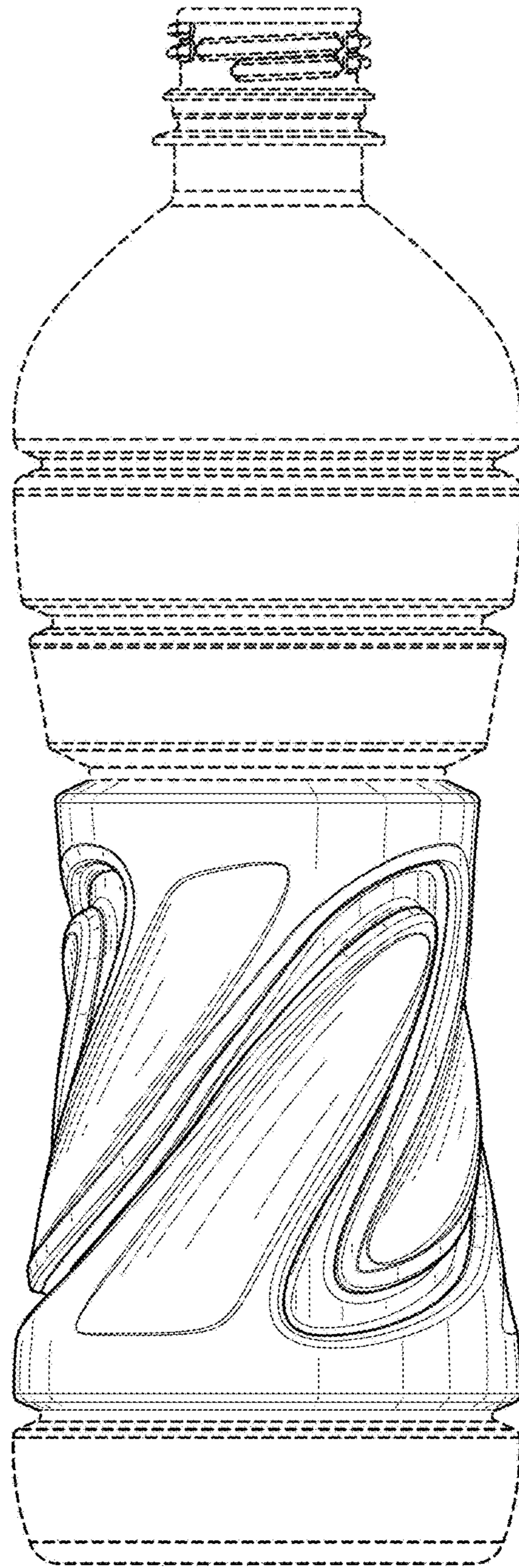
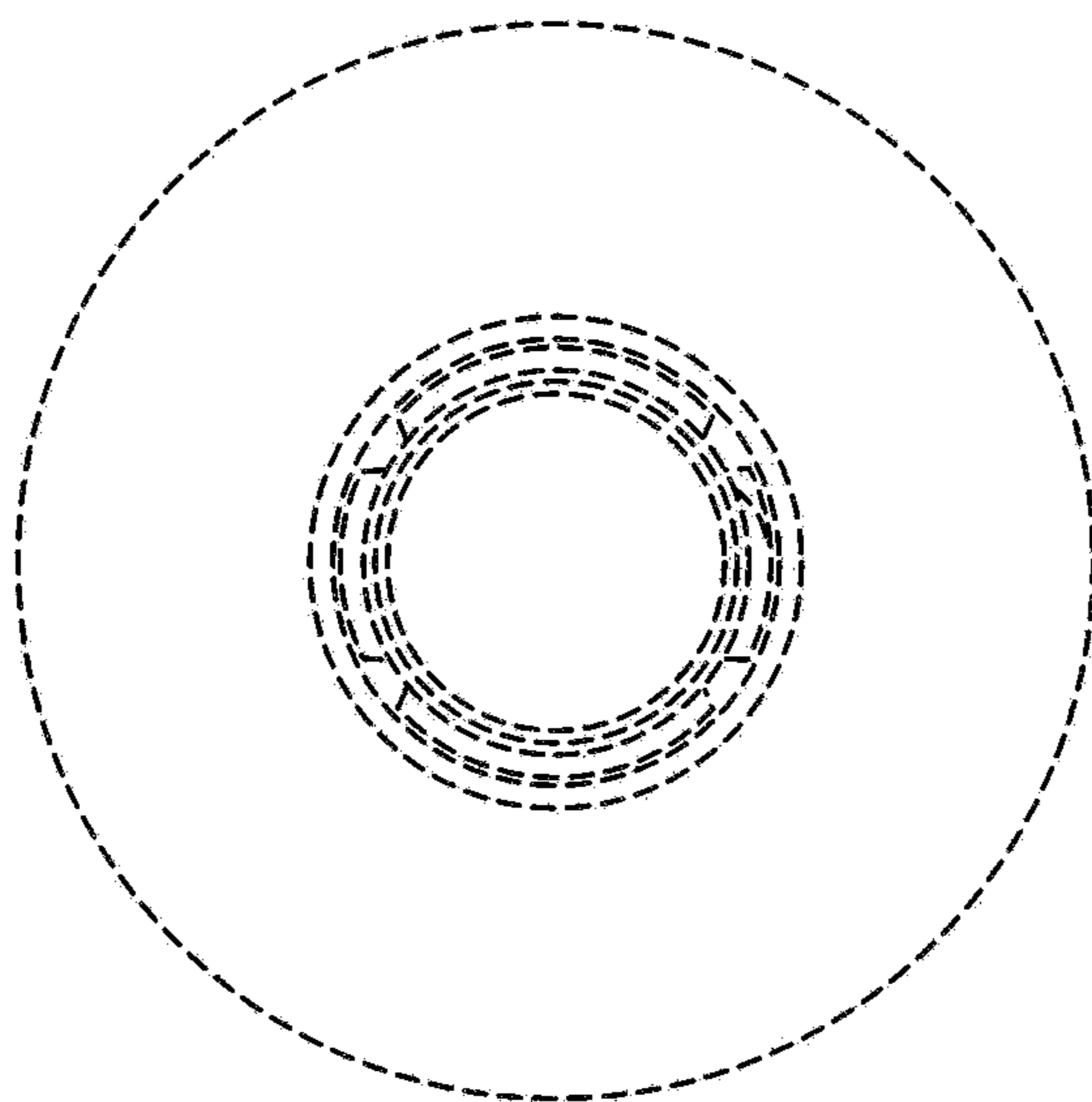
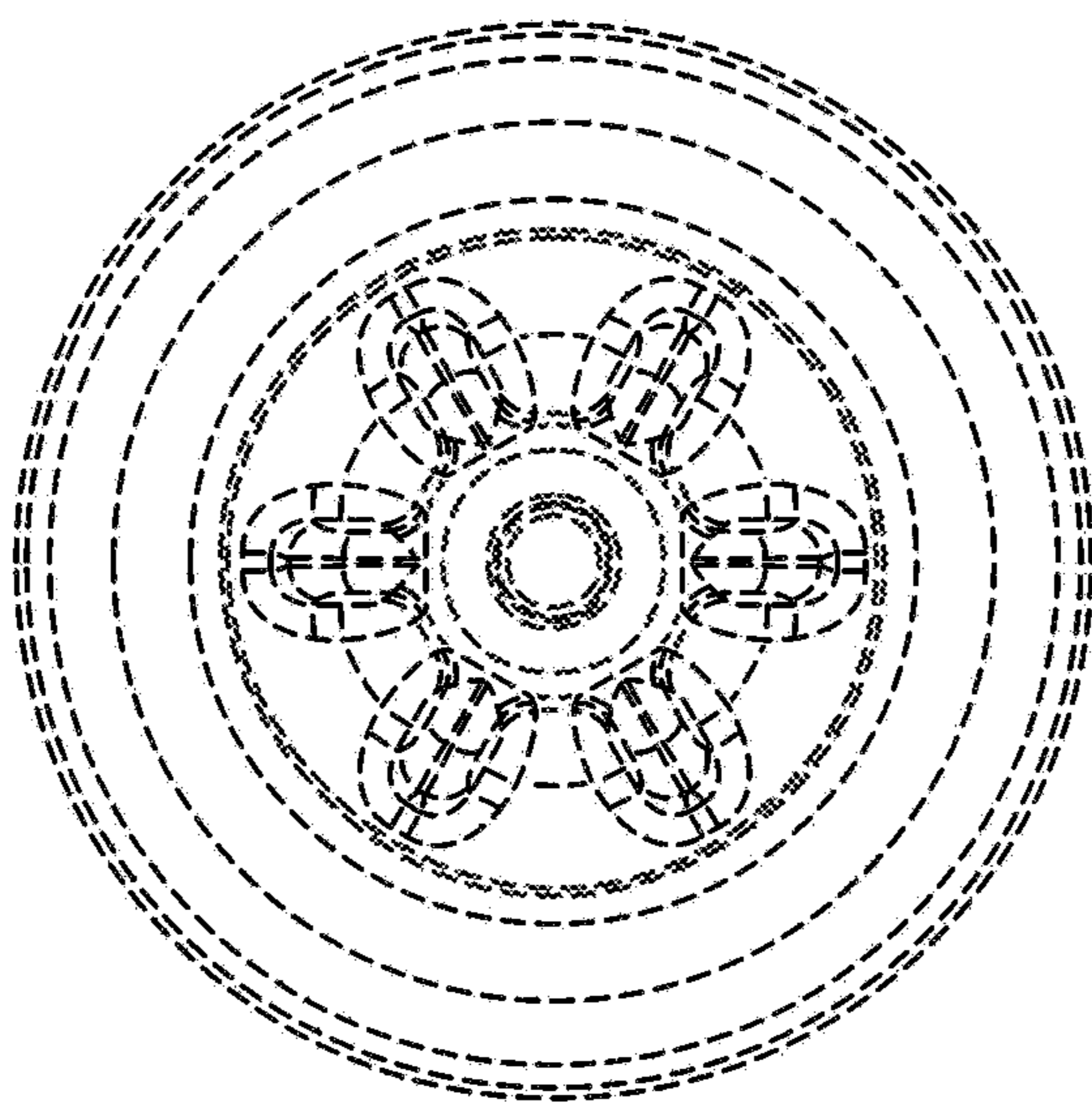


FIG. 5



**FIG. 6**



**FIG. 7**