

US00D866334S

(12) **United States Design Patent**
Wieland et al.

(10) **Patent No.:** **US D866,334 S**

(45) **Date of Patent:** **** Nov. 12, 2019**

(54) **CREAM CONTAINER**

(71) Applicant: **ILNP Cosmetics Inc.**, Las Vegas, NV (US)

(72) Inventors: **Jason Wieland**, Las Vegas, NV (US);
Zoran Sekulovski, Bitola (MK)

(73) Assignee: **ILNP Cosmetics Inc.**, Las Vegas, NV (US)

(**) Term: **15 Years**

(21) Appl. No.: **29/644,704**

(22) Filed: **Apr. 19, 2018**

(51) **LOC (12) Cl.** **09-01**

(52) **U.S. Cl.**
USPC **D9/504**; D9/454; D9/520

(58) **Field of Classification Search**
USPC D9/419, 424, 428, 434-435, 454, 500,
D9/502-504, 516, 520, 529, 549, 558,
D9/715; D3/203.2; D24/224; D28/91
CPC . B65D 1/00; B65D 1/10; B65D 23/00; B65D
2501/00; B65D 2501/0009; A45D 34/00;
A45D 40/0068

See application file for complete search history.

(56) **References Cited**

U.S. PATENT DOCUMENTS

D140,339 S *	2/1945	Johnson	D7/597
D309,711 S *	8/1990	Biesecker	D9/500
D346,334 S *	4/1994	Ahlsvik	D9/548
D436,233 S *	1/2001	Faillant-Dumas	D28/91
D664,840 S *	8/2012	Jones	D9/423
D665,252 S *	8/2012	Mulready	D9/418

D686,887 S *	7/2013	Meyers	D7/629
D769,124 S *	10/2016	Wieland	D9/560
D803,687 S *	11/2017	Fernandez	D9/738
2016/0280426 A1 *	9/2016	Kim	A45D 40/0068

* cited by examiner

Primary Examiner — Dana Meyrow

(74) *Attorney, Agent, or Firm* — **Intellent Patents LLC**

(57) **CLAIM**

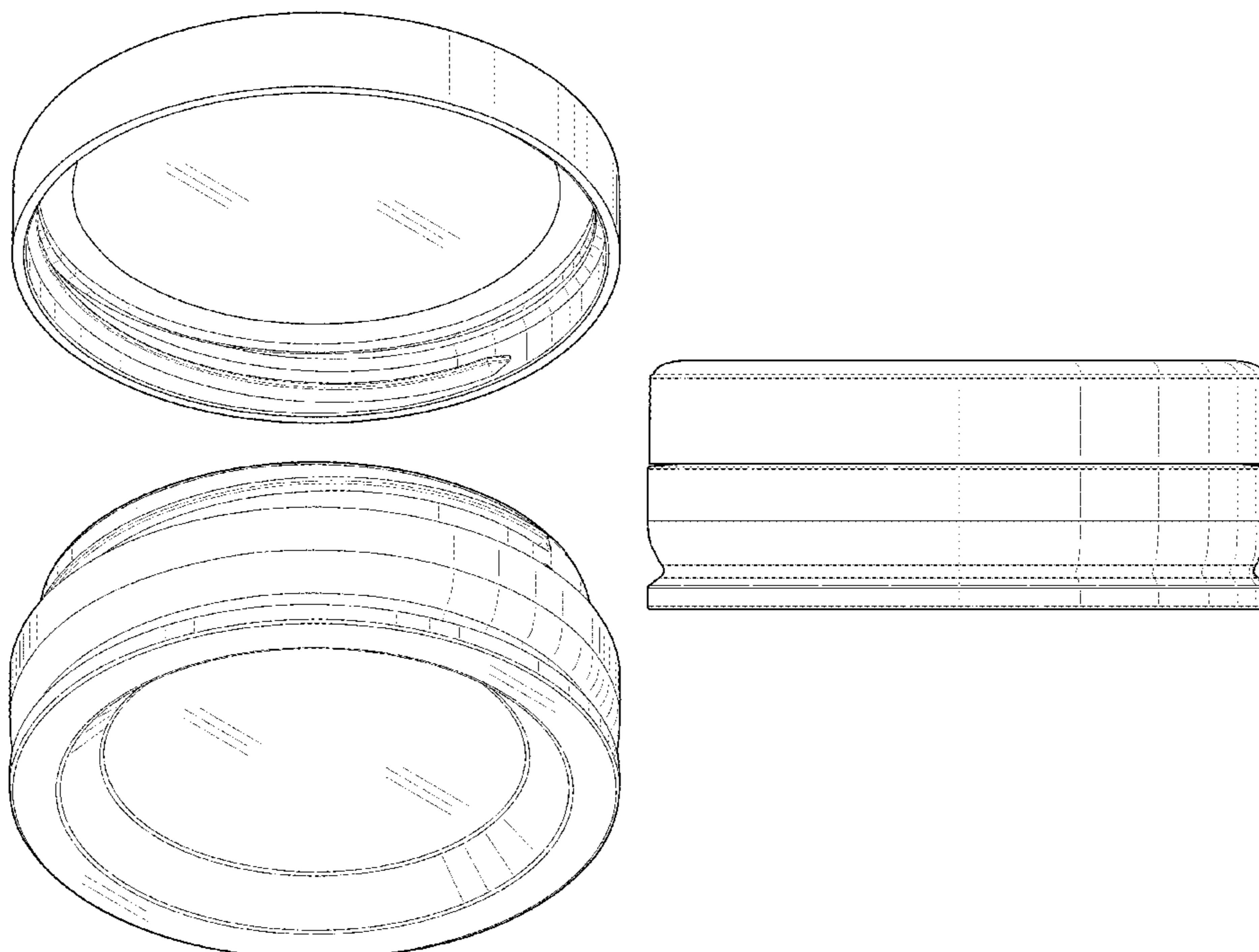
The ornamental design for a cream container, as shown and described.

DESCRIPTION

FIG. 1 is a top perspective view of a cream container showing our new design;
 FIG. 2 is an exploded top perspective view thereof;
 FIG. 3 is a bottom perspective view thereof;
 FIG. 4 is an exploded front elevation view thereof, the rear elevation view being identical;
 FIG. 5 is a right side elevation view thereof, the left side elevation view being identical;
 FIG. 6 is a side elevation view thereof, shown in the closed position, the opposing side elevation view being identical;
 FIG. 7 is a top plan view of the cream container of FIG. 1 shown without a cover.
 FIG. 8 is a bottom plan view of the cream container of FIG. 1.
 FIG. 9 is a top plan view of the cover of the cream container of FIG. 1; and,
 FIG. 10 is a bottom plan view of the cover of the cream container of FIG. 1.

The broken lines in the drawings illustrate a portion of the cream container which form no part of the claimed design.

1 Claim, 6 Drawing Sheets



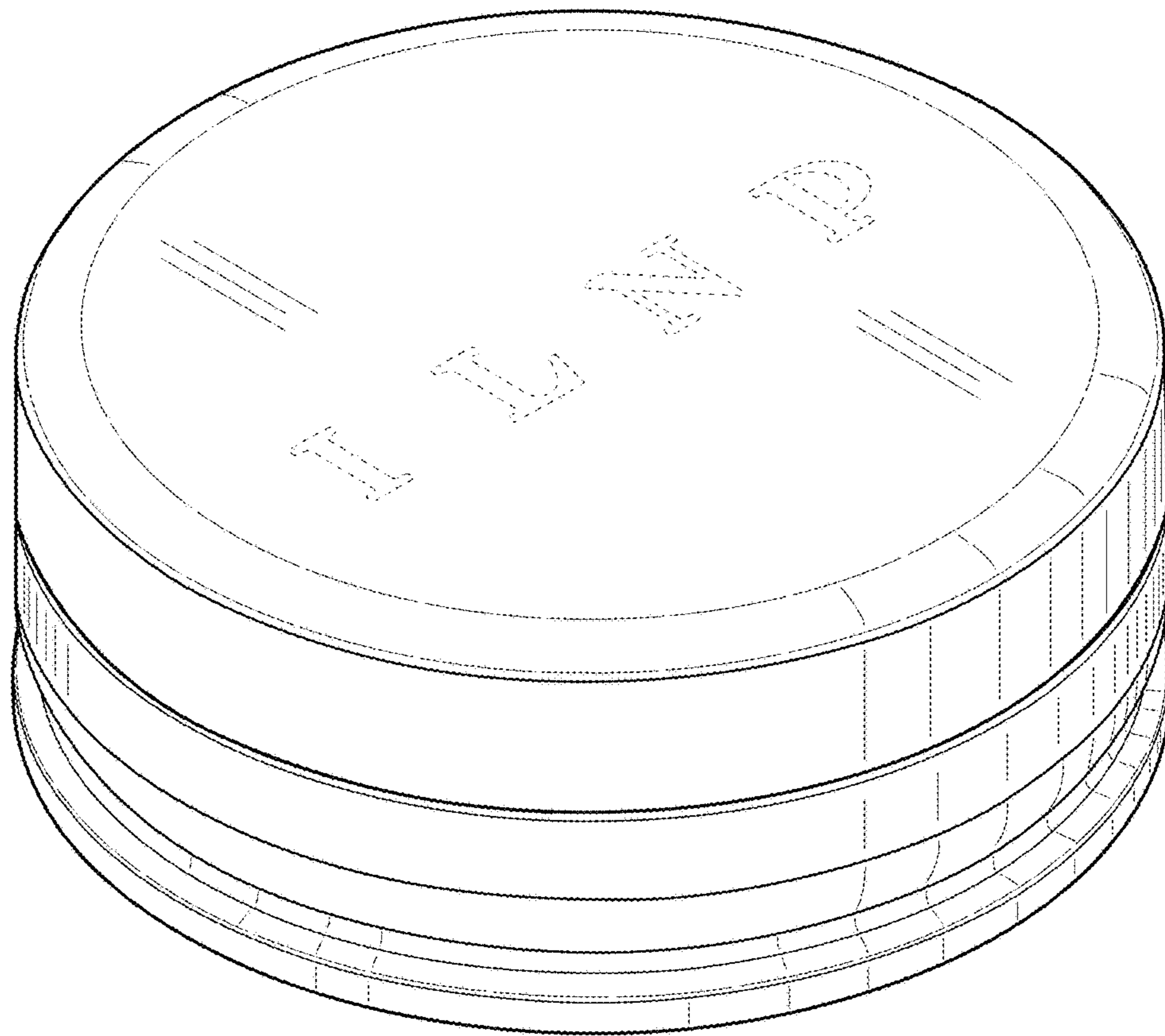


FIG. 1

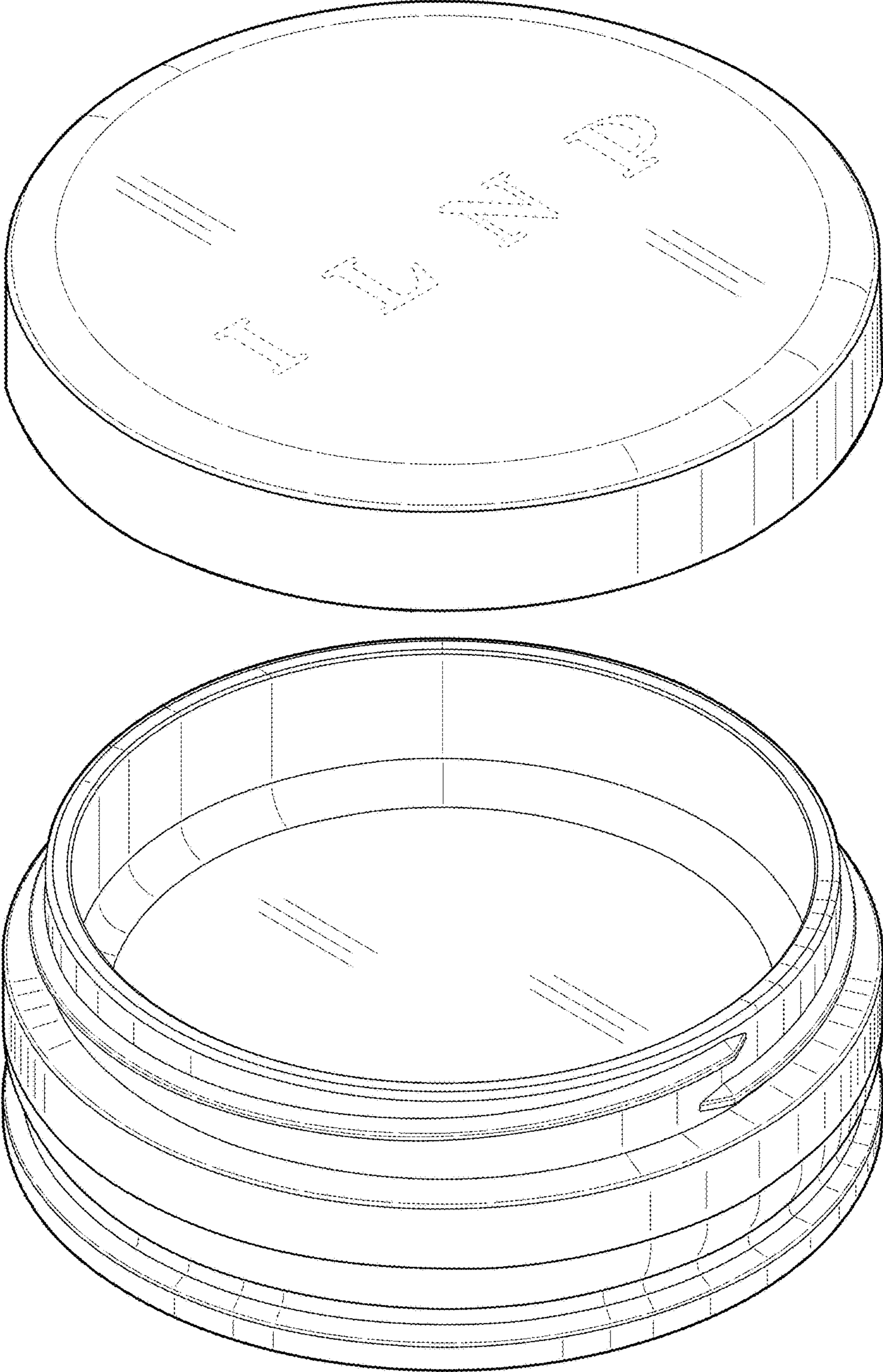


FIG. 2

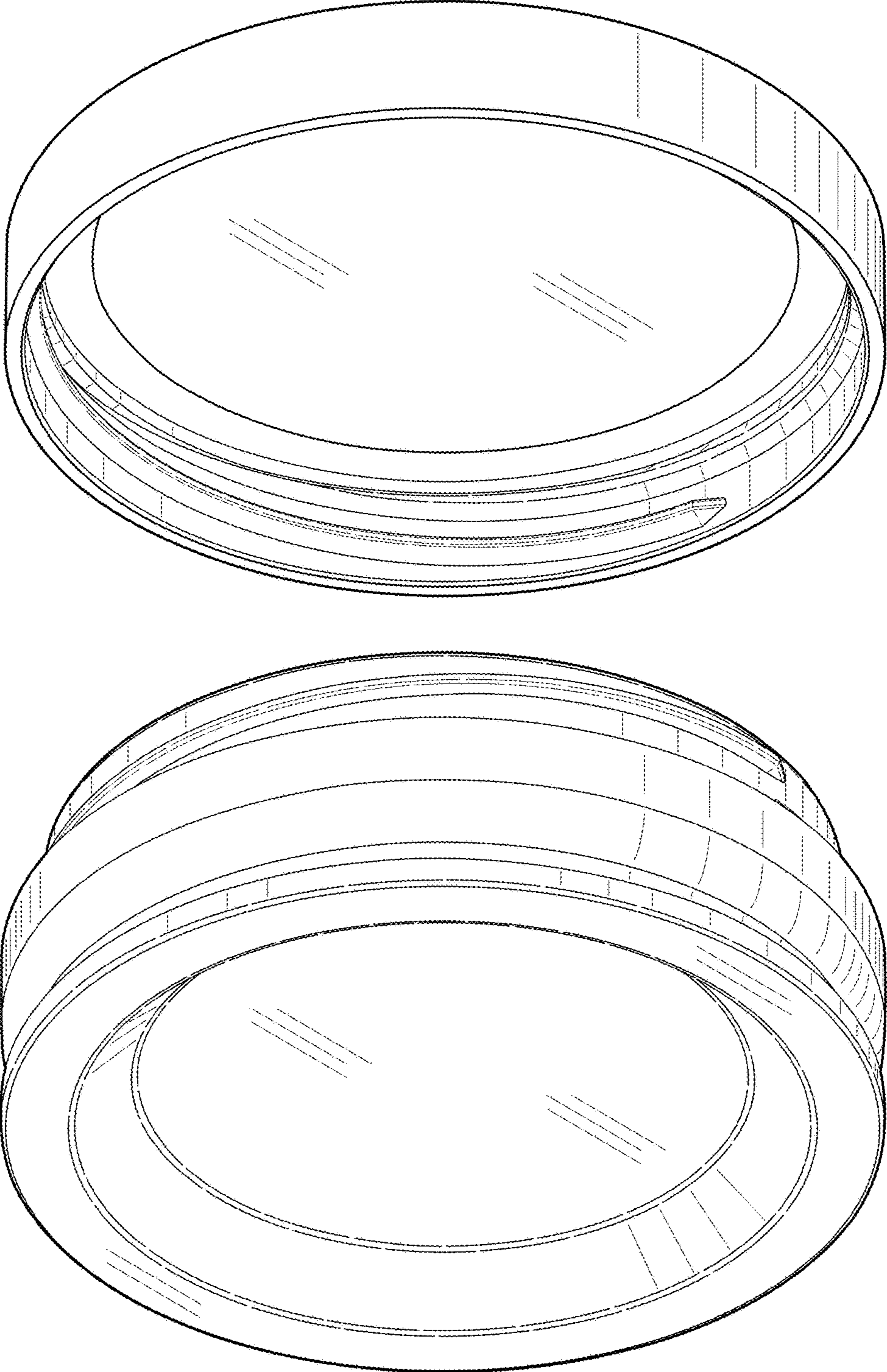


FIG. 3

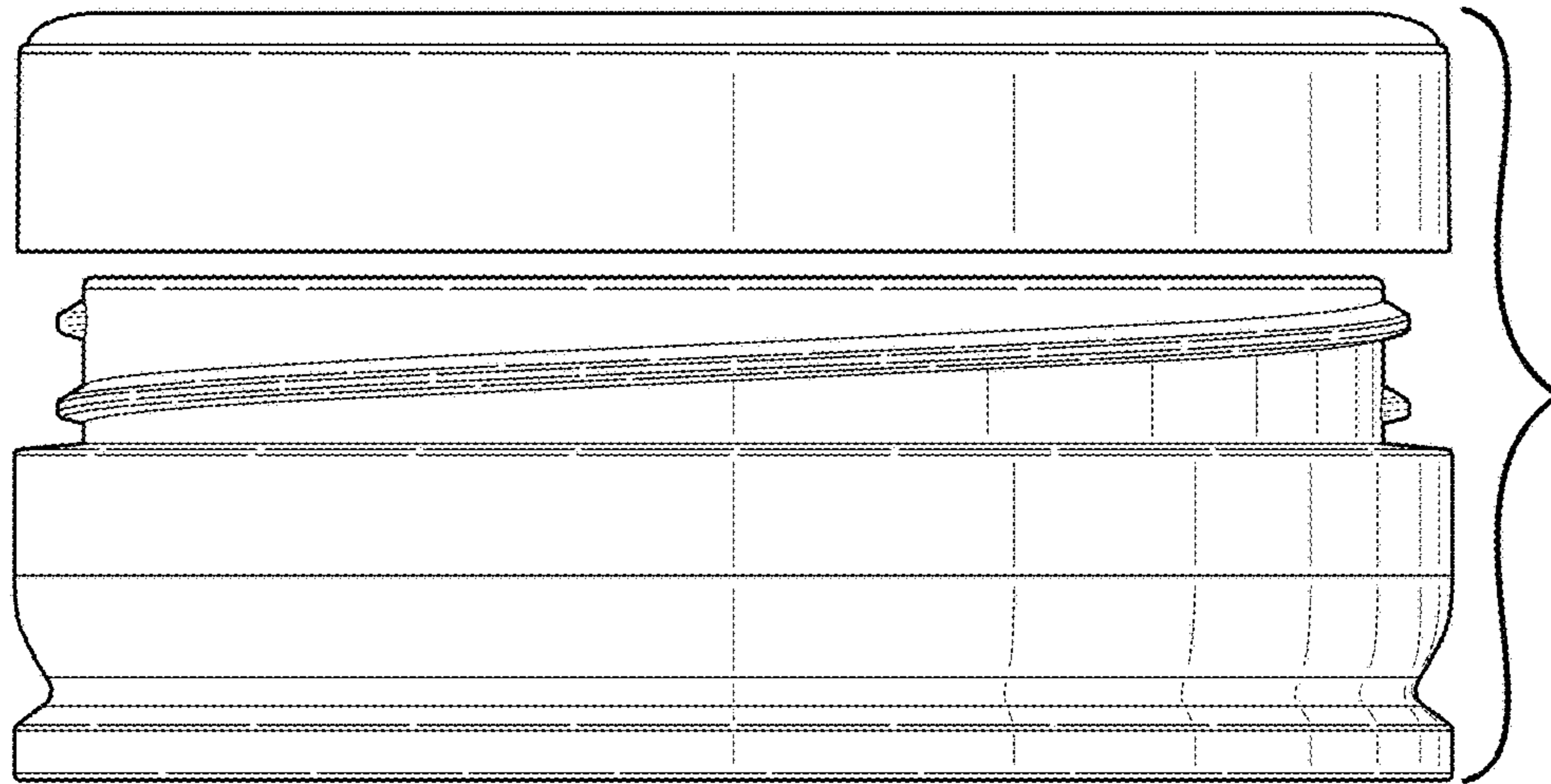


FIG. 4

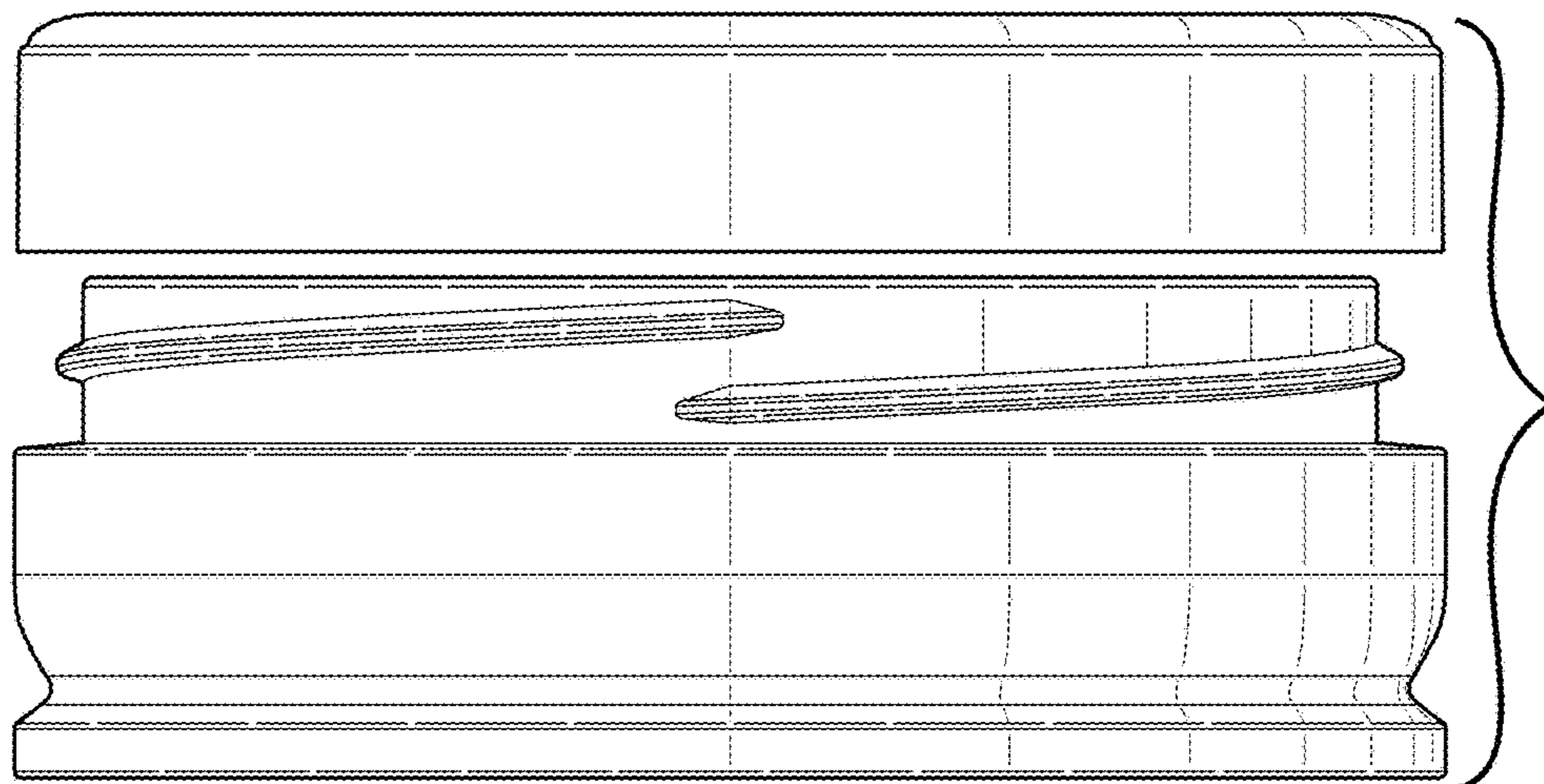


FIG. 5

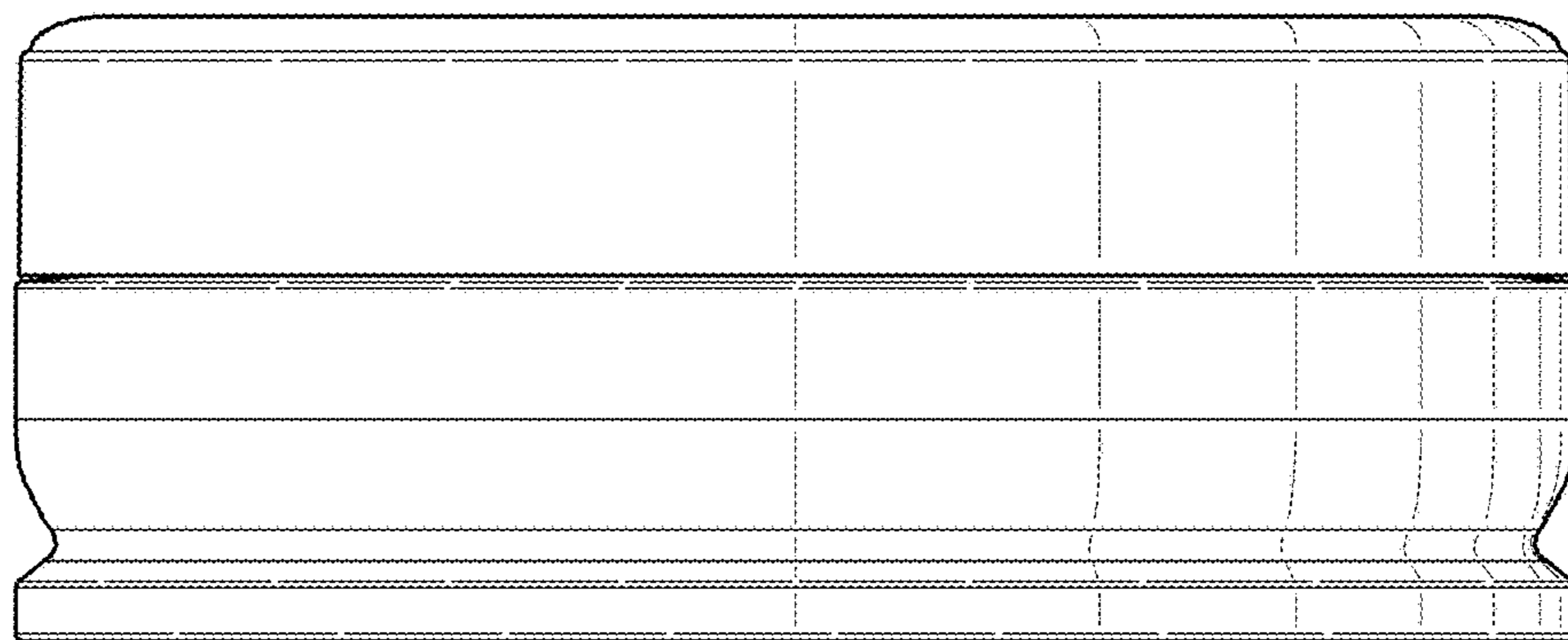


FIG. 6

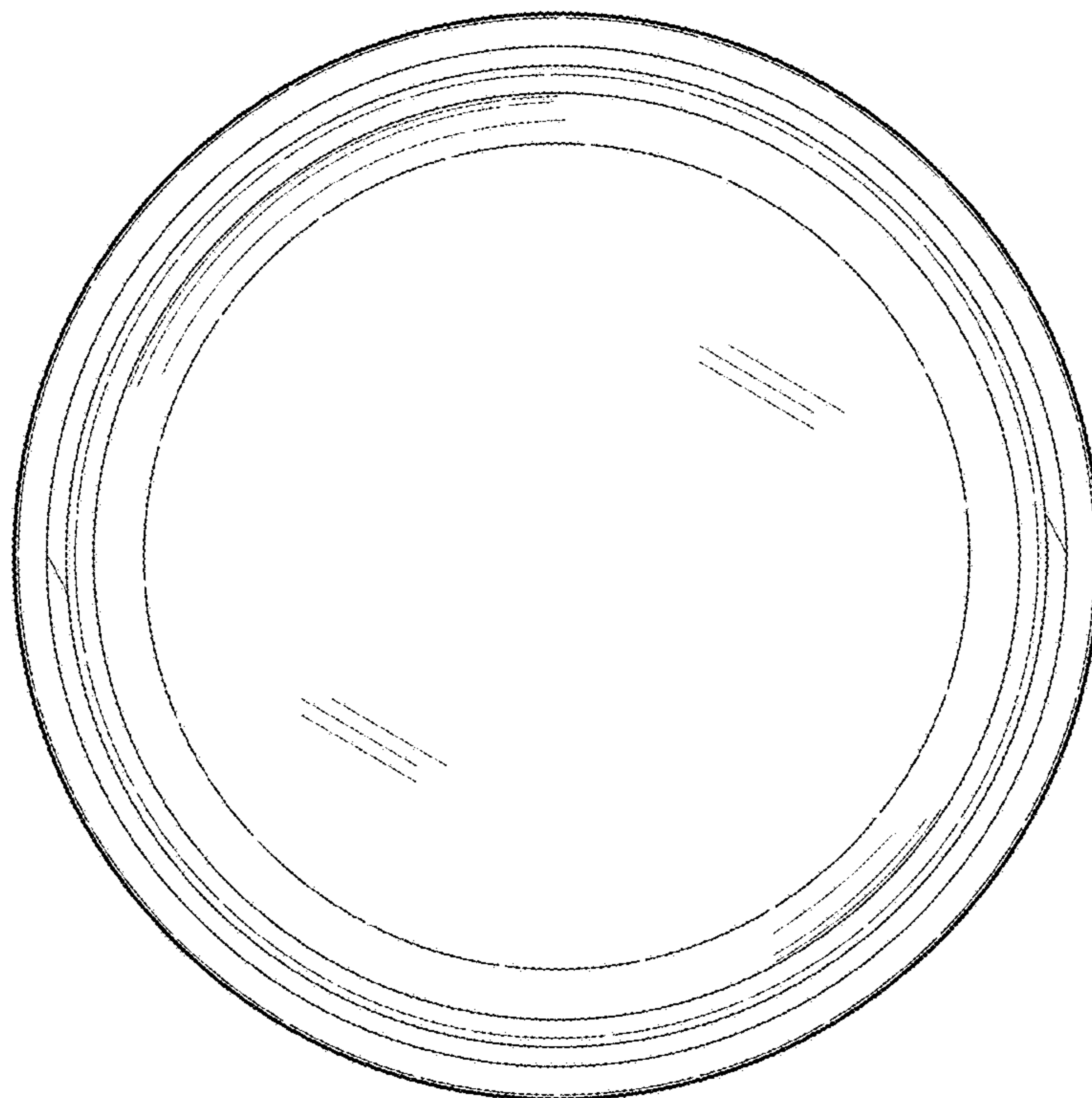


FIG. 7

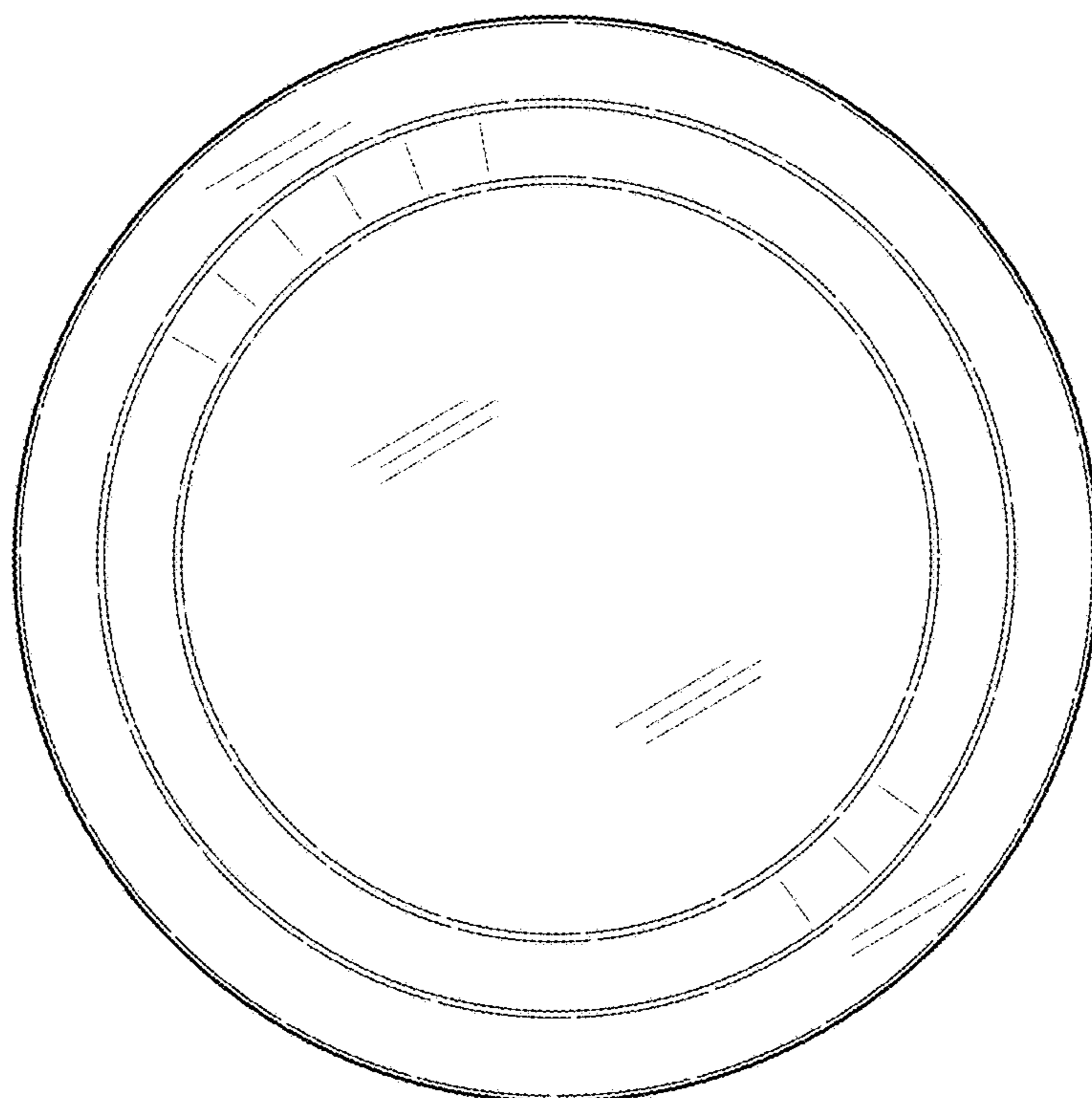


FIG. 8

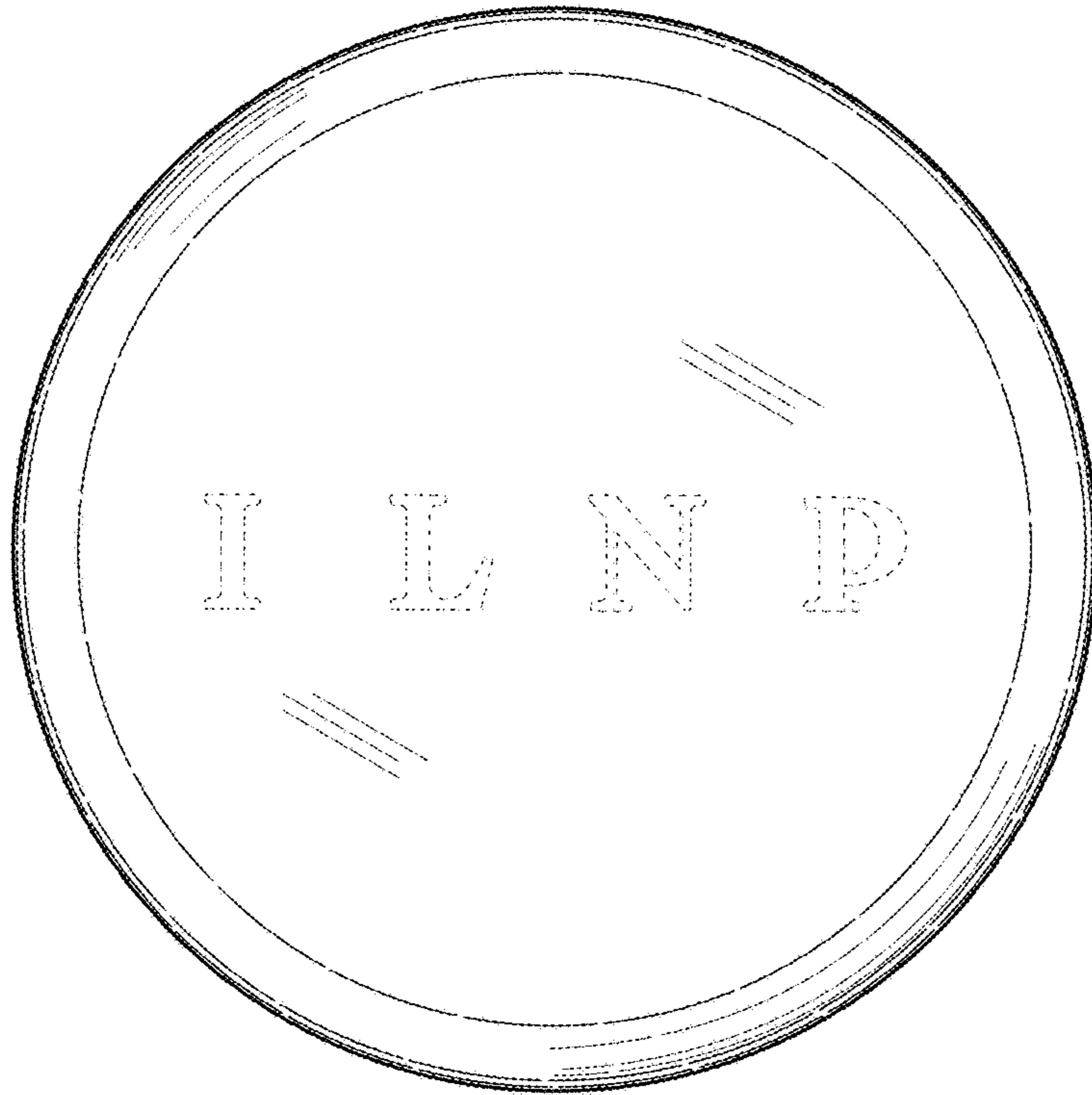


FIG. 9

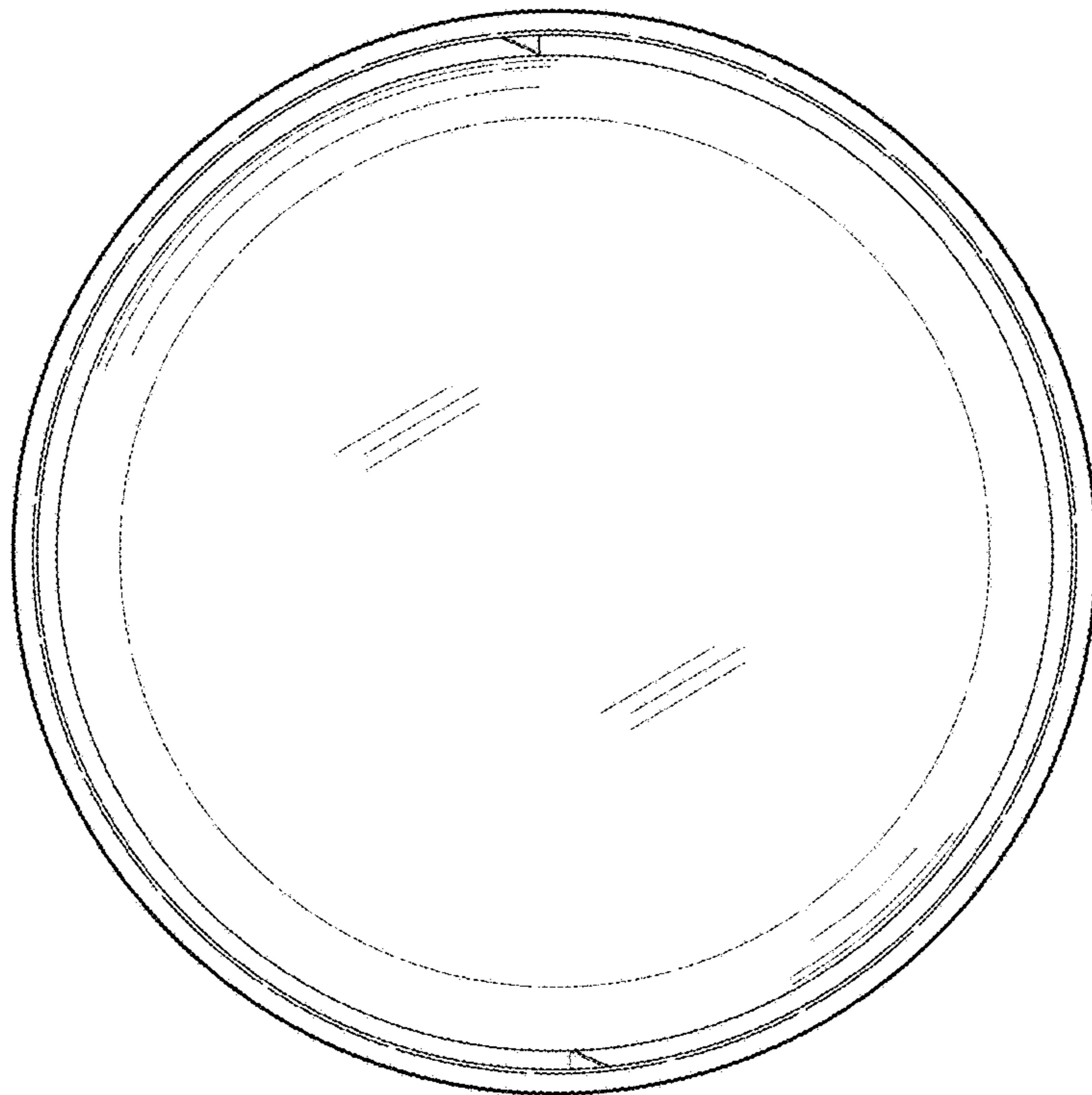


FIG. 10