



US00D866333S

(12) **United States Design Patent** (10) **Patent No.:** **US D866,333 S**  
**Safdie et al.** (45) **Date of Patent:** **\*\* Nov. 12, 2019**

(54) **PACKAGE FOR NAIL POLISH BOTTLES**

(71) Applicant: **Best Accessory Group LLC**, New York, NY (US)

(72) Inventors: **Abraham Safdie**, Brooklyn, NY (US);  
**Jack Saban**, Brooklyn, NY (US)

(73) Assignee: **Best Accessory Group LLC**, New York, NY (US)

(\*\*) Term: **15 Years**

(21) Appl. No.: **29/640,700**

(22) Filed: **Mar. 16, 2018**

**Related U.S. Application Data**

(62) Division of application No. 29/573,447, filed on Aug. 5, 2016, now Pat. No. Des. 815,518.

(51) **LOC (12) Cl.** ..... **09-07**

(52) **U.S. Cl.**

USPC ..... **D9/504**

(58) **Field of Classification Search**

USPC ..... D9/414-415, 424-425, 428, 432-434,  
D9/504, 686-699, 703, 710, 718, 734,  
(Continued)

(56) **References Cited**

**U.S. PATENT DOCUMENTS**

D244,981 S \* 7/1977 Austin ..... D6/661.3  
4,098,421 A \* 7/1978 Foster ..... B65D 41/18  
215/321

(Continued)

**FOREIGN PATENT DOCUMENTS**

JP 2006298463 A \* 11/2006  
JP 2006298463 A 11/2006

*Primary Examiner* — Kevin K Rudzinski

*Assistant Examiner* — Mehri F Bajoul

(74) *Attorney, Agent, or Firm* — Dorton & Willis, LLP

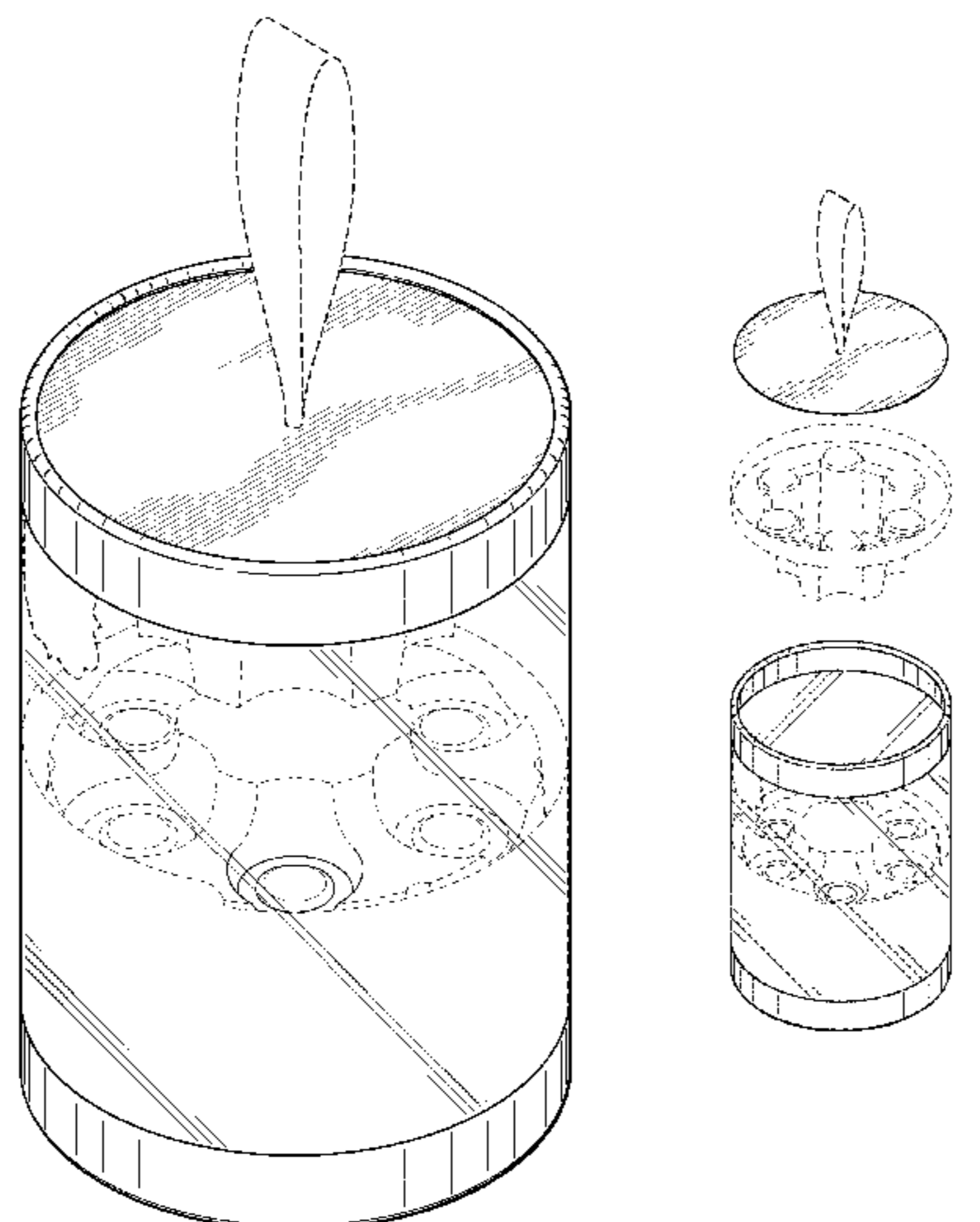
(57) **CLAIM**

The ornamental design for a package for nail polish bottles, as shown and described.

**DESCRIPTION**

FIG. 1 is a top perspective view of a first embodiment of our new package for nail polish bottles design; FIG. 2 is a bottom perspective view thereof; FIG. 3 is a front elevation view thereof; FIG. 4 is a right side elevation view thereof; FIG. 5 is a rear elevation view thereof; FIG. 6 is a left side elevation view thereof; FIG. 7 is a top view thereof; FIG. 8 is a bottom view thereof; FIG. 9 is an exploded perspective view thereof, in a first arrangement; and FIG. 10 is an exploded perspective view thereof, in a second arrangement. FIG. 11 is a top perspective view of a second embodiment of our new package for nail polish bottles design; FIG. 12 is a bottom perspective view thereof; FIG. 13 is a front elevation view thereof; FIG. 14 is a right side elevation view thereof; FIG. 15 is a rear elevation view thereof; FIG. 16 is a left side elevation view thereof; FIG. 17 is a top view thereof; FIG. 18 is a bottom view thereof; FIG. 19 is an exploded perspective view thereof, in a first arrangement; and, FIG. 20 is an exploded perspective view thereof, in a second arrangement. The broken lines shown in the drawings depict portions of the package for nail polish bottles that form no part of the claimed design.

**1 Claim, 16 Drawing Sheets**



(58) **Field of Classification Search**  
 USPC ..... D9/756, 767; D3/203.5, 202–208, 217,  
 D3/229, 257, 316; D28/82, 83;  
 132/73.5; 366/143  
 CPC ..... A45D 29/00; A45D 29/18; A45D 44/04  
 See application file for complete search history.

(56) **References Cited**

U.S. PATENT DOCUMENTS

D289,143 S \* 4/1987 Guillaume ..... D9/445  
 D315,095 S 3/1991 Wright  
 D320,469 S \* 10/1991 Hoenig ..... D28/7  
 D336,240 S 6/1993 Castaldo  
 D403,162 S 12/1998 Williams  
 D403,957 S 1/1999 Bright et al.  
 D448,281 S 9/2001 Thibiant et al.  
 D466,814 S 12/2002 Hurlburt  
 D468,636 S \* 1/2003 Weinstein ..... D9/418  
 D480,307 S 10/2003 Canamasas Puigbo  
 D493,721 S 8/2004 Puigbo  
 D494,474 S 8/2004 Houk et al.  
 D499,648 S \* 12/2004 Lewis ..... D9/501  
 D515,426 S 2/2006 Pace et al.  
 D523,752 S 6/2006 Bried et al.  
 D526,190 S 8/2006 Bolt et al.  
 D527,252 S 8/2006 Bolt et al.  
 D531,036 S 10/2006 Bried et al.  
 D543,111 S 5/2007 Høglund  
 D570,689 S 6/2008 Chang  
 D585,599 S 1/2009 Mongeon et al.  
 7,472,709 B1 1/2009 Nickerson  
 D593,871 S \* 6/2009 Schmidt ..... D9/721  
 D595,578 S \* 7/2009 Del Tedesco Zamberlan .....  
 D28/76  
 D597,767 S \* 8/2009 Colin ..... D6/661.3  
 D607,748 S 1/2010 Schmidt  
 D612,240 S 3/2010 Cresswell et al.  
 D613,168 S 4/2010 Rowland et al.  
 D626,639 S \* 11/2010 Taylor ..... D23/315  
 D627,603 S 11/2010 Eyal

D639,661 S 6/2011 Llerena  
 D643,694 S 8/2011 Lu  
 D643,748 S 8/2011 Dietvorst  
 D646,578 S 10/2011 Marais et al.  
 D646,585 S \* 10/2011 Henkel ..... D9/716  
 D654,366 S 2/2012 Presche et al.  
 D654,762 S 2/2012 Gilbert  
 D659,004 S 5/2012 McCoy  
 D661,600 S 6/2012 Hora et al.  
 D691,470 S 10/2013 Macaulay et al.  
 D693,688 S 11/2013 Russell et al.  
 D696,948 S 1/2014 Kim  
 D704,546 S \* 5/2014 Thompson ..... D9/414  
 D711,250 S 8/2014 Henriksson  
 8,834,014 B2 9/2014 Summons et al.  
 D728,216 S 5/2015 Click  
 D733,967 S 7/2015 Schlatter  
 D738,111 S 9/2015 Otto et al.  
 9,138,701 B2 9/2015 Summons et al.  
 D741,181 S 10/2015 Bar-Tal et al.  
 D741,603 S \* 10/2015 Mehta ..... D4/116  
 D741,717 S 10/2015 Bar-Tal et al.  
 D755,051 S 5/2016 Otani et al.  
 D762,032 S 7/2016 Holder  
 D765,389 S 9/2016 Martin  
 D780,533 S \* 3/2017 Seiders ..... D7/608  
 D794,944 S 8/2017 Martin  
 9,795,165 B2 \* 10/2017 Bried ..... A24F 23/00  
 D803,008 S \* 11/2017 Lipsius ..... D7/615  
 D803,287 S \* 11/2017 Whetsel ..... D16/135  
 D809,379 S \* 2/2018 Paige ..... D9/418  
 D813,678 S \* 3/2018 Kalagher ..... D9/504  
 D826,003 S \* 8/2018 Seiders ..... D7/624.2  
 D833,138 S \* 11/2018 Devagnanam ..... D3/20  
 D835,508 S \* 12/2018 Burrowes ..... D9/500  
 D835,510 S \* 12/2018 Arora ..... D9/505  
 D835,992 S \* 12/2018 Giraud ..... D9/529  
 2004/0155046 A1 8/2004 Gibson  
 2009/0320316 A1 12/2009 Zakai  
 2014/0332557 A1 \* 11/2014 Summons ..... B01F 11/0002  
 222/80  
 2016/0016700 A1 1/2016 Stevens

\* cited by examiner

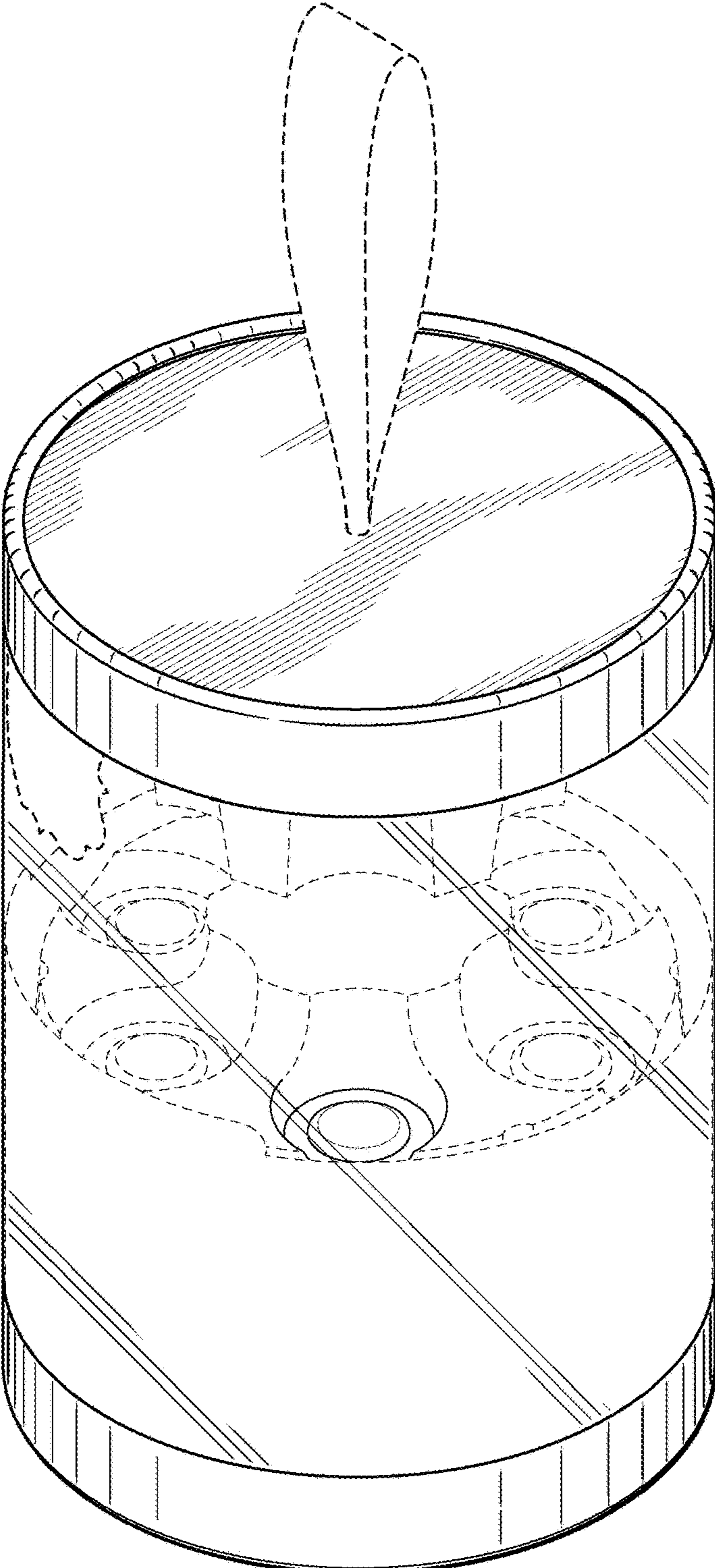


FIG. 1

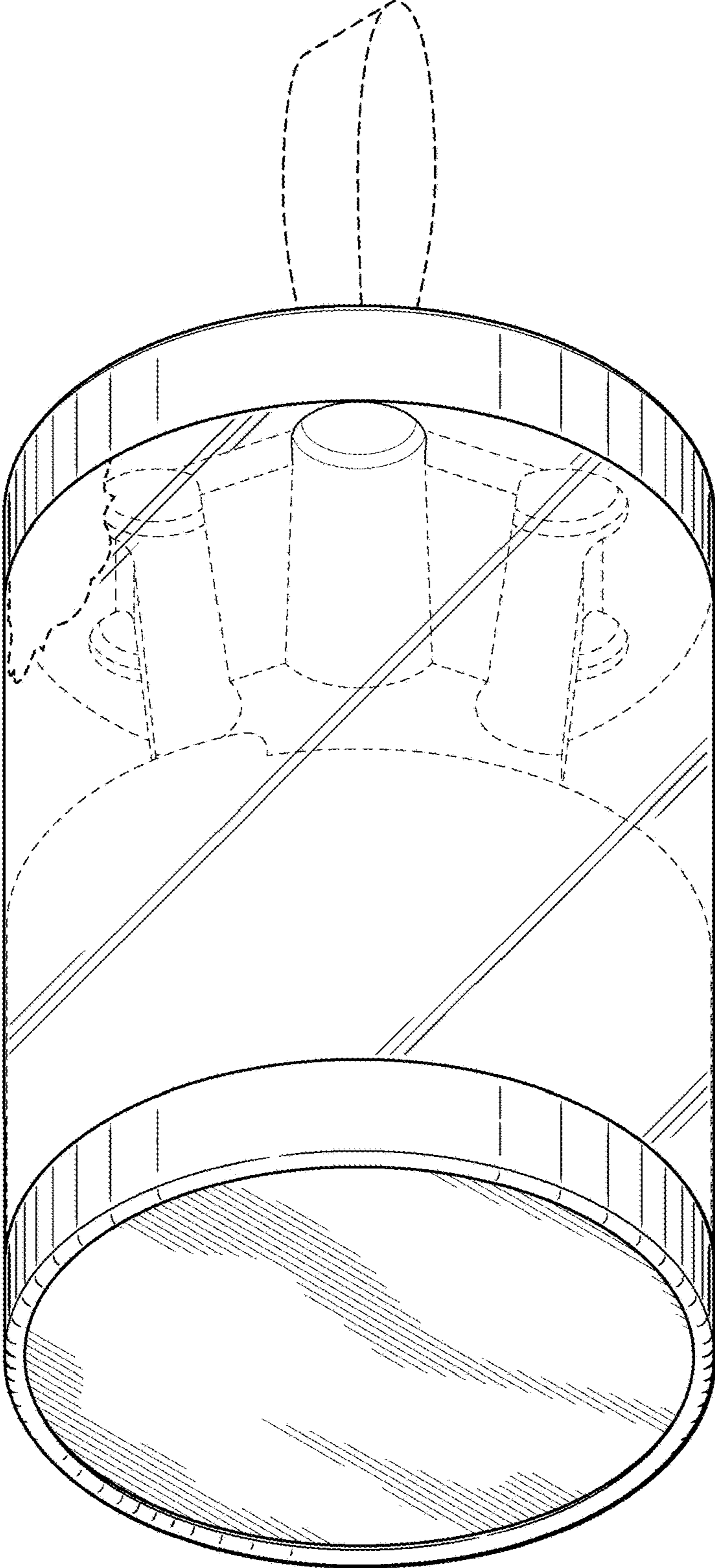


FIG. 2

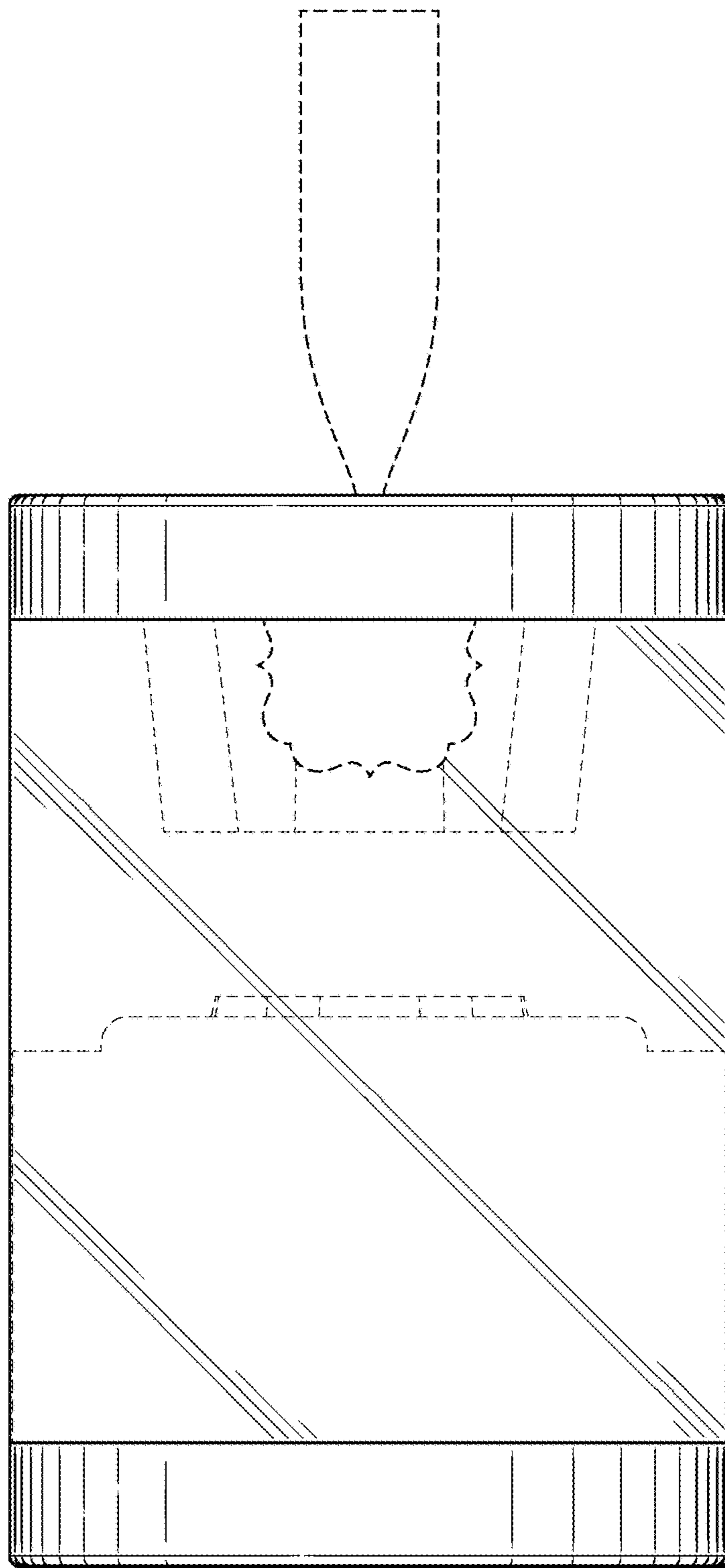


FIG. 3

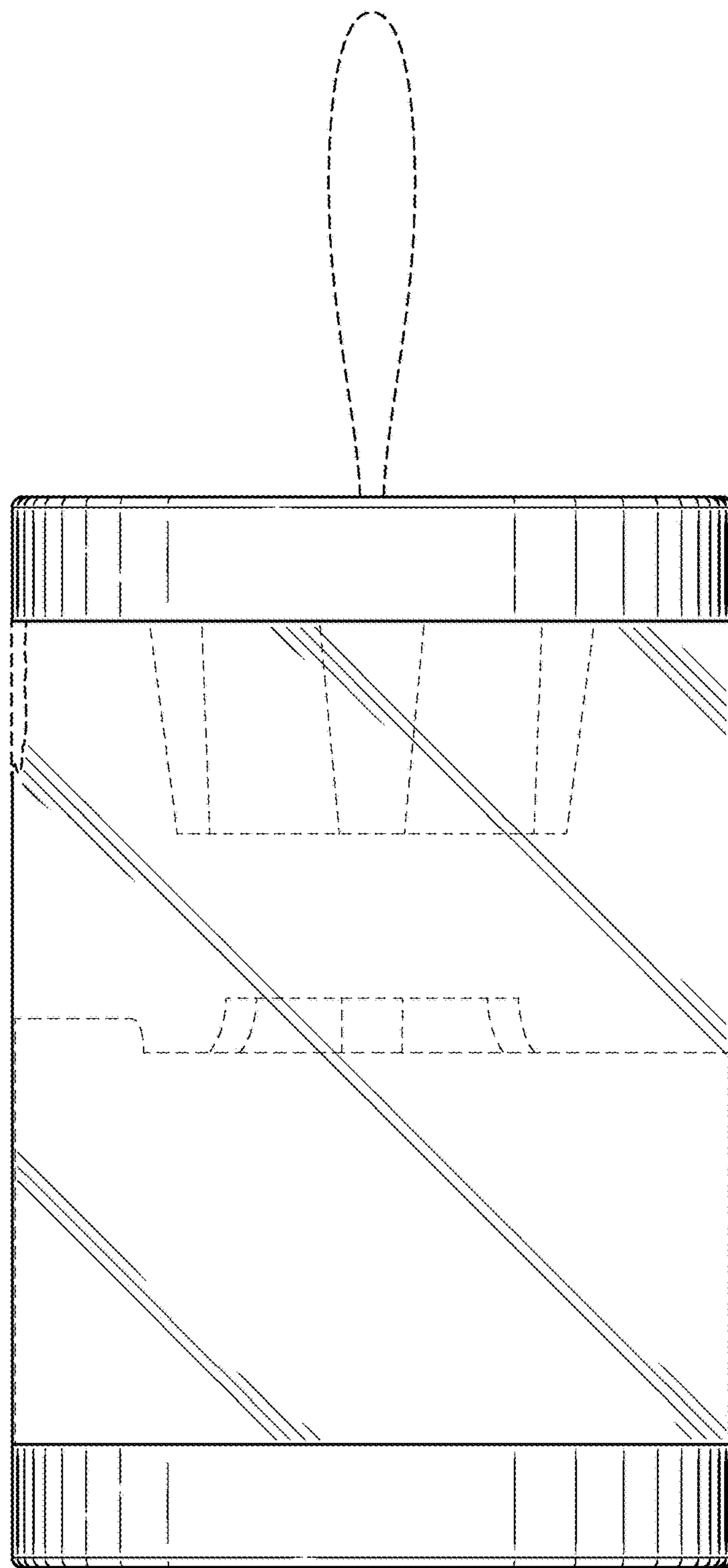


FIG. 4

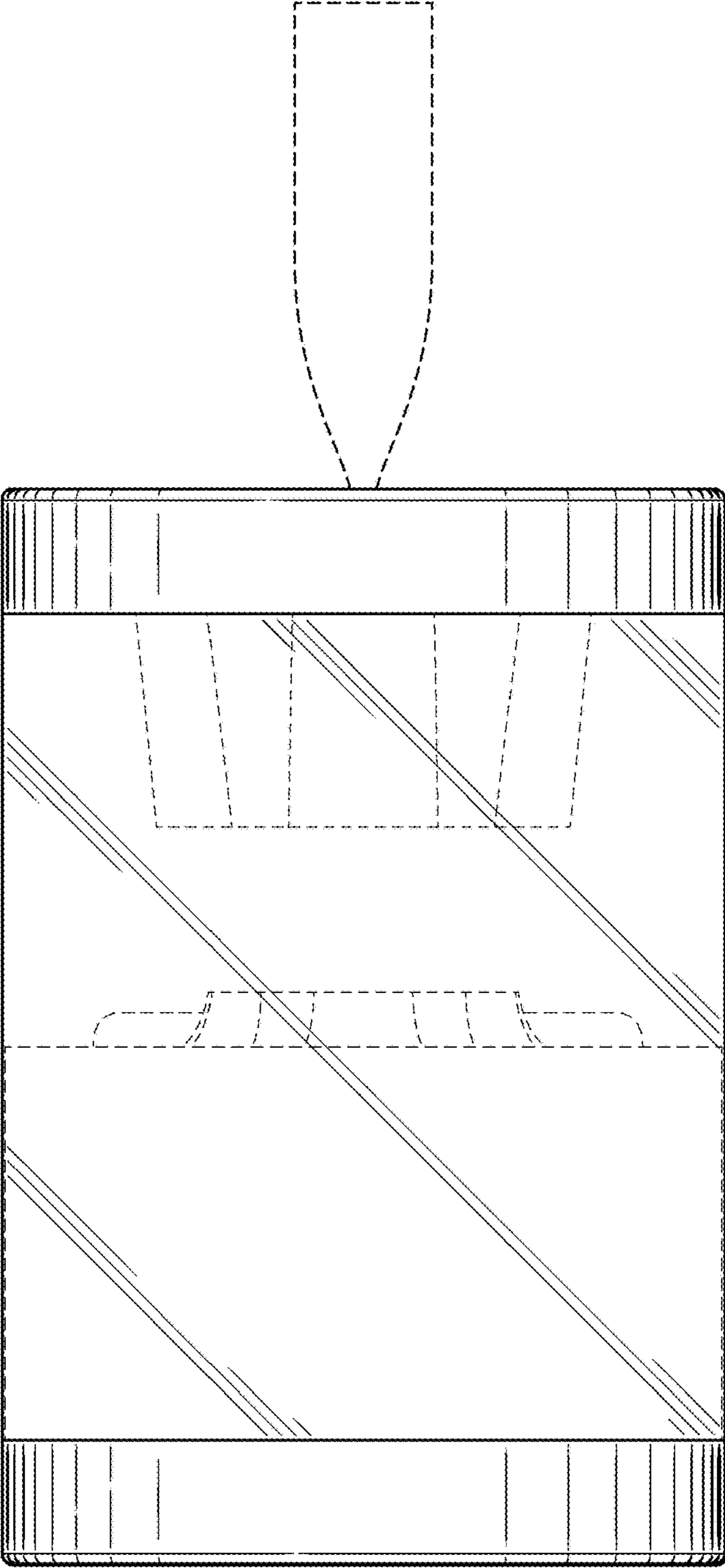


FIG. 5

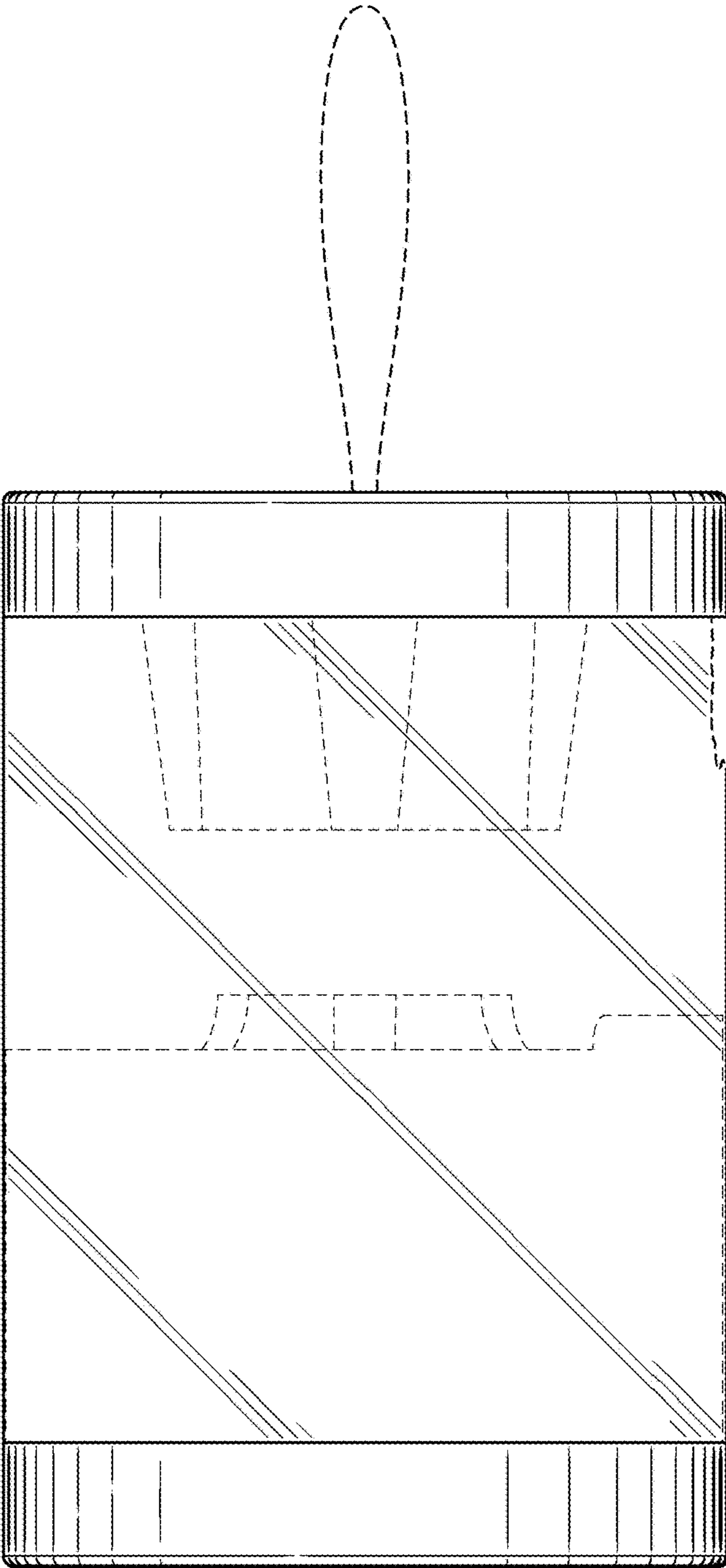


FIG. 6



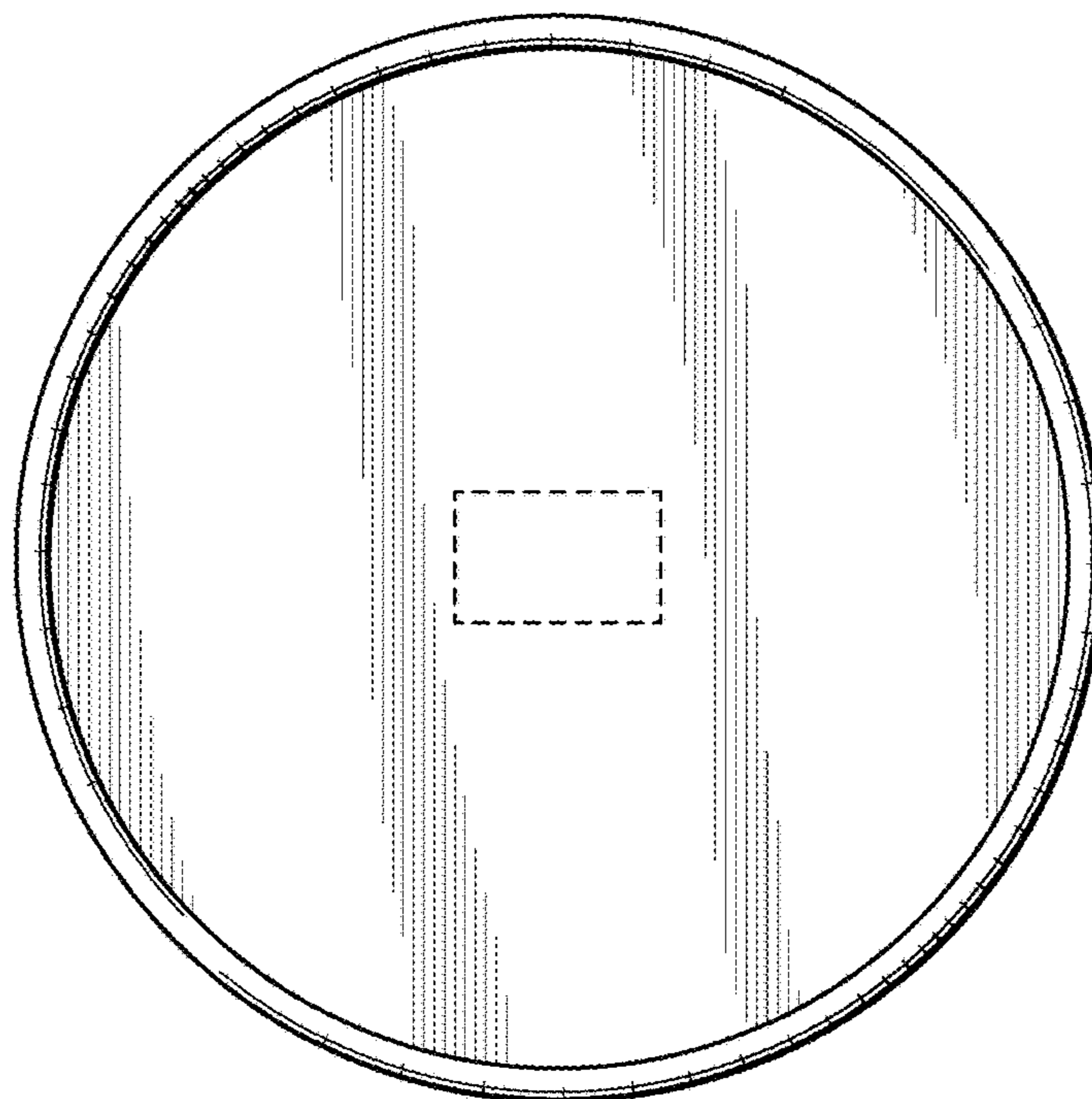


FIG. 7

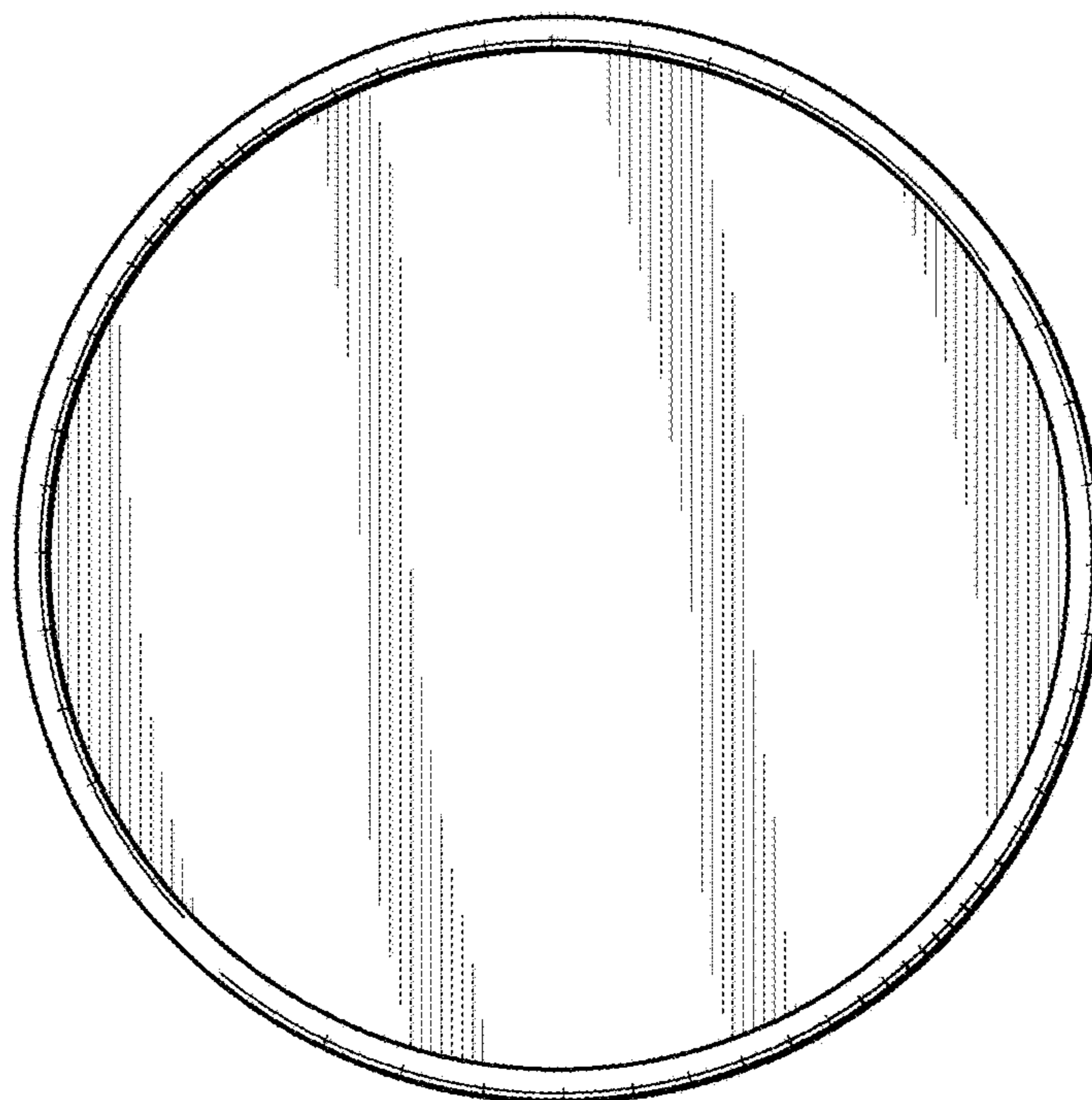


FIG. 8

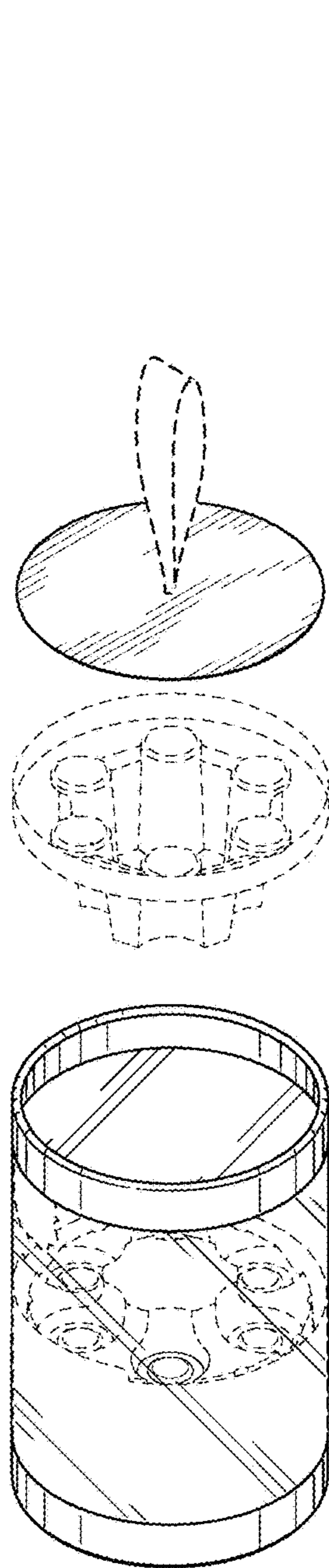


FIG. 9

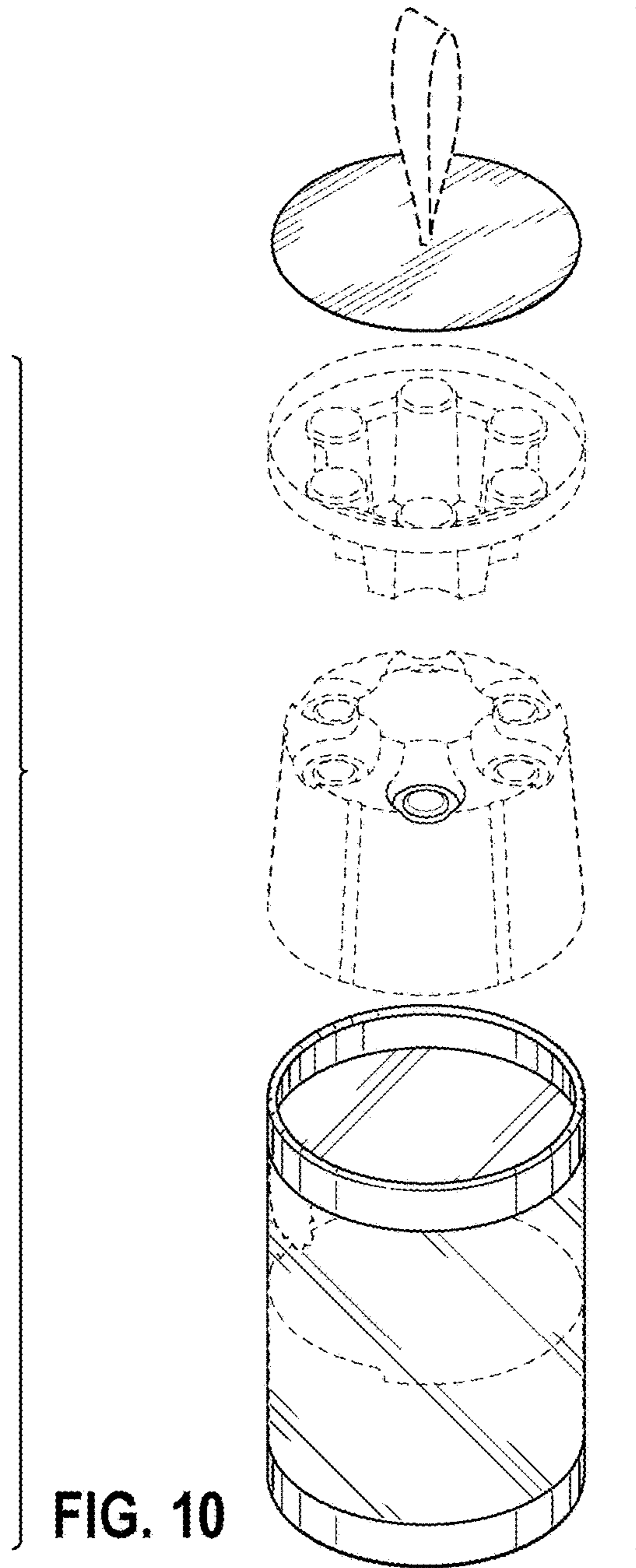


FIG. 10

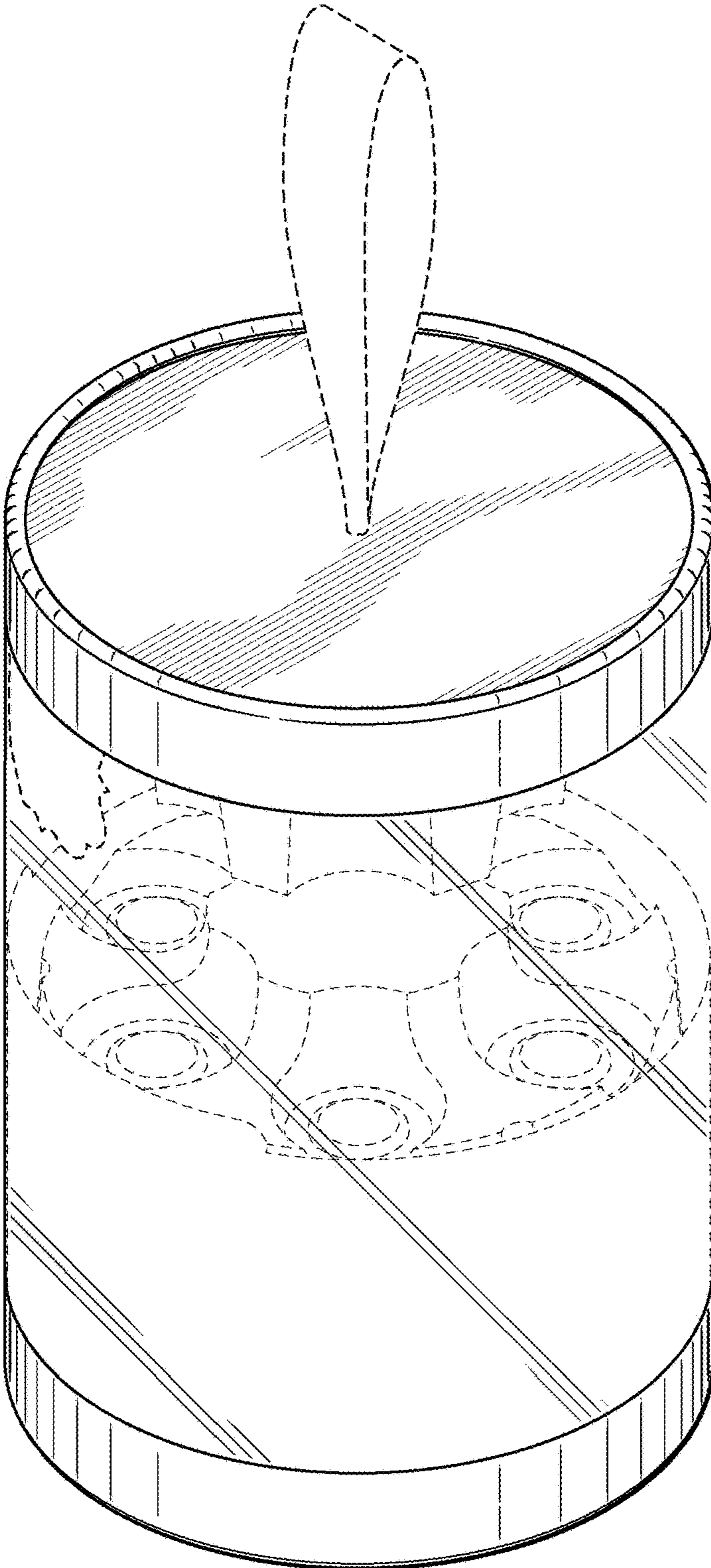


FIG. 11

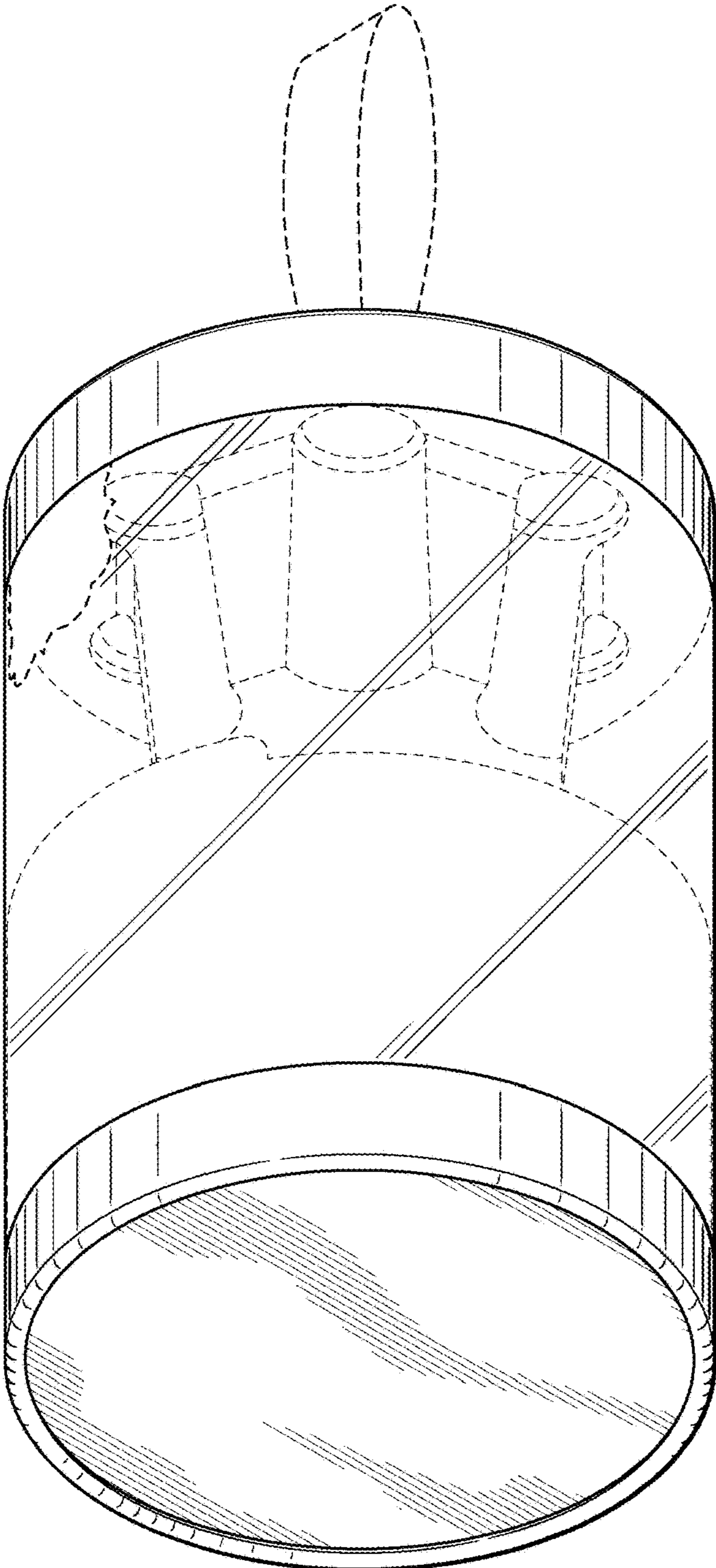


FIG. 12

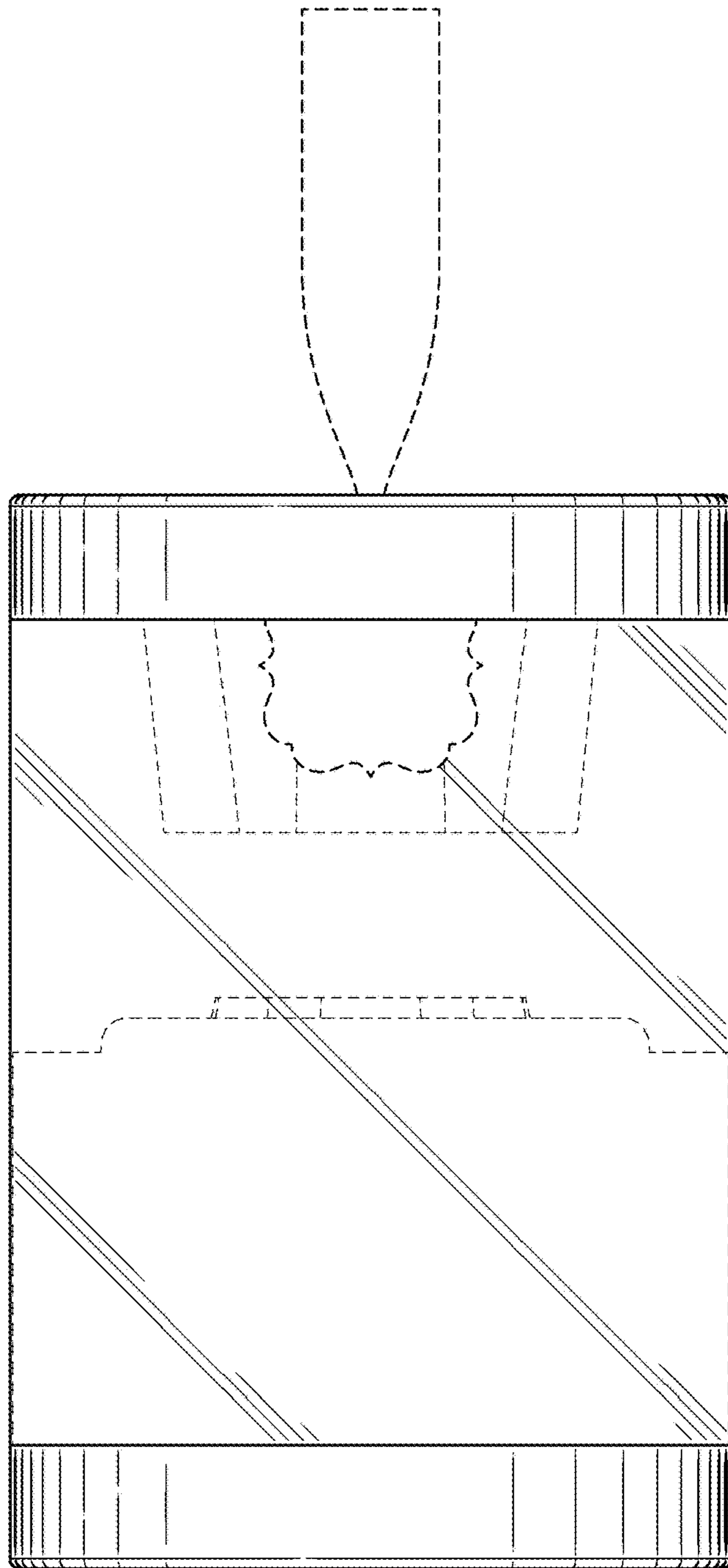


FIG. 13

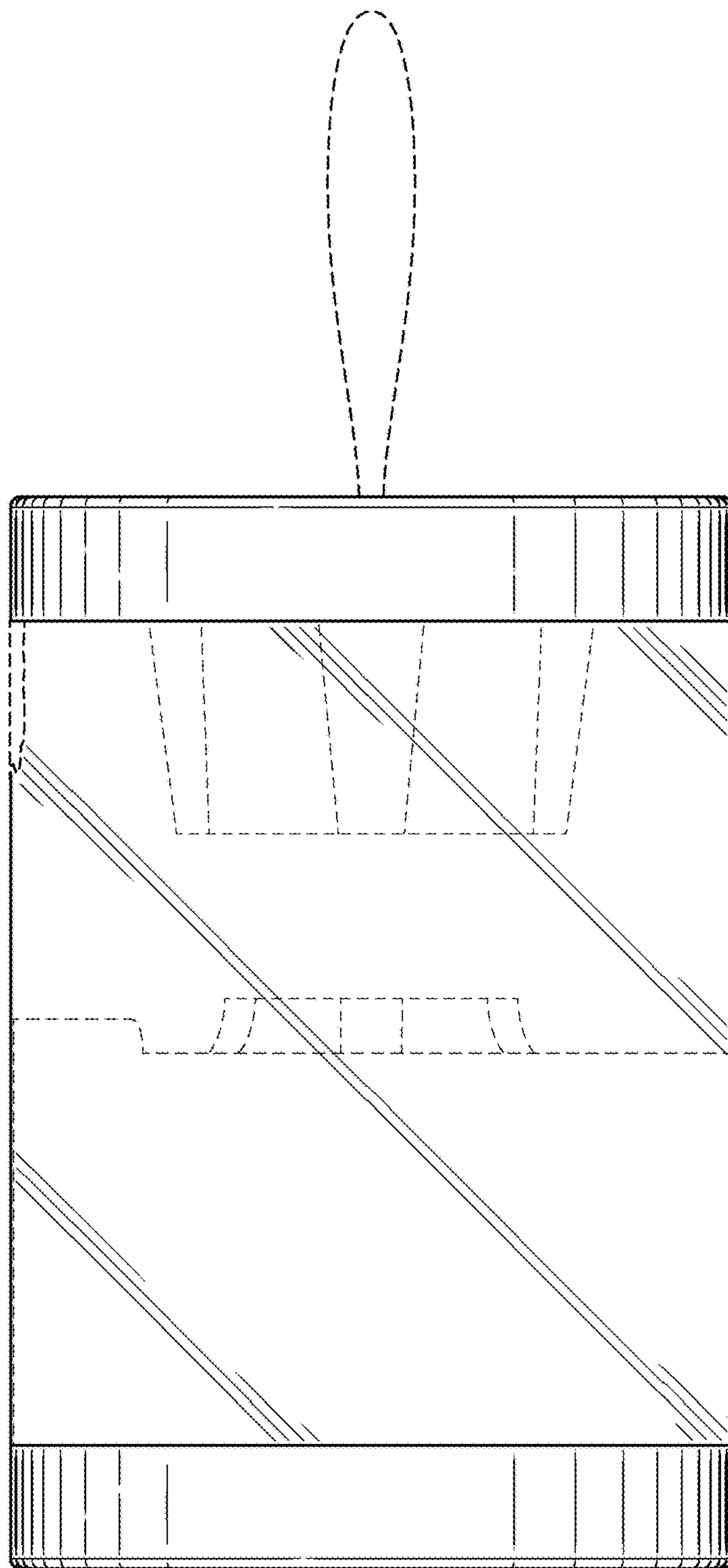


FIG. 14

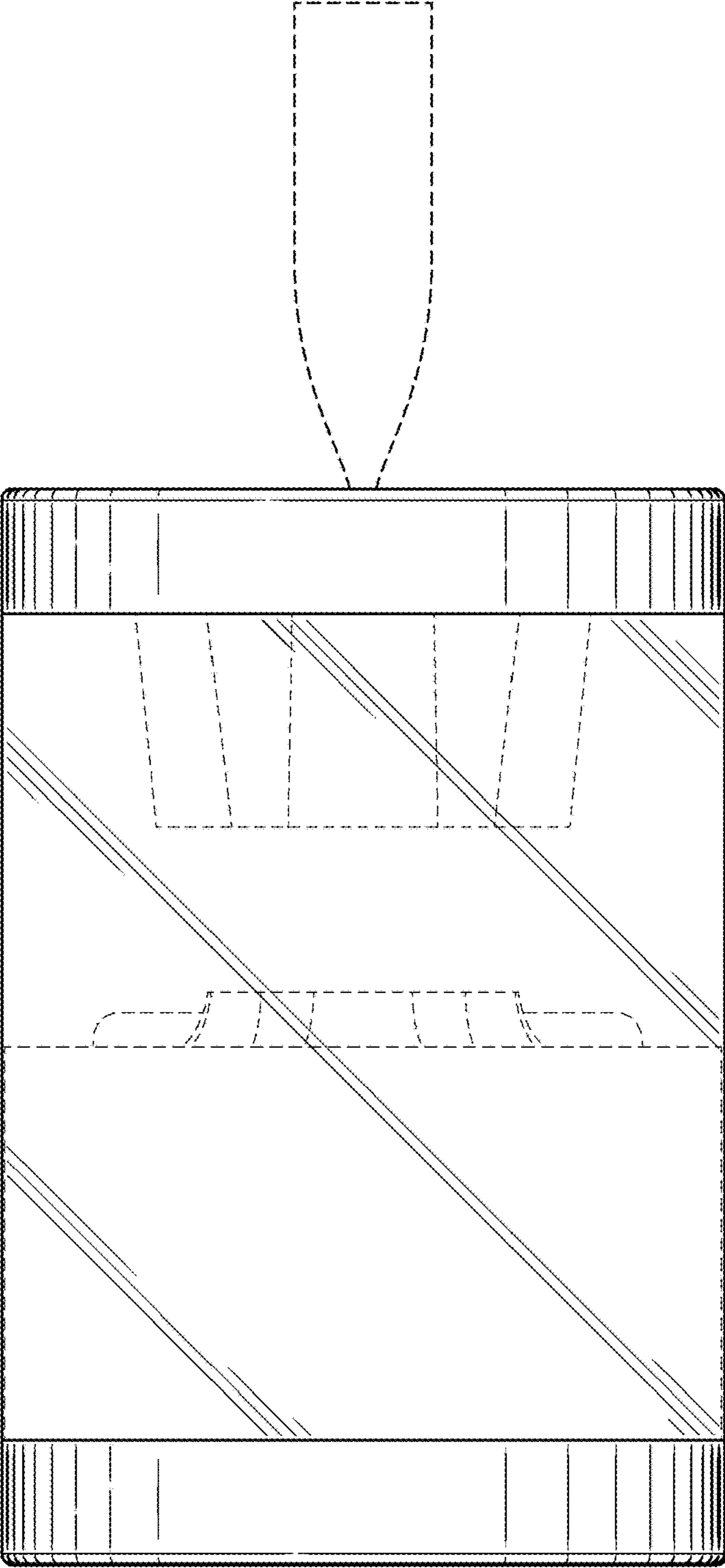


FIG. 15

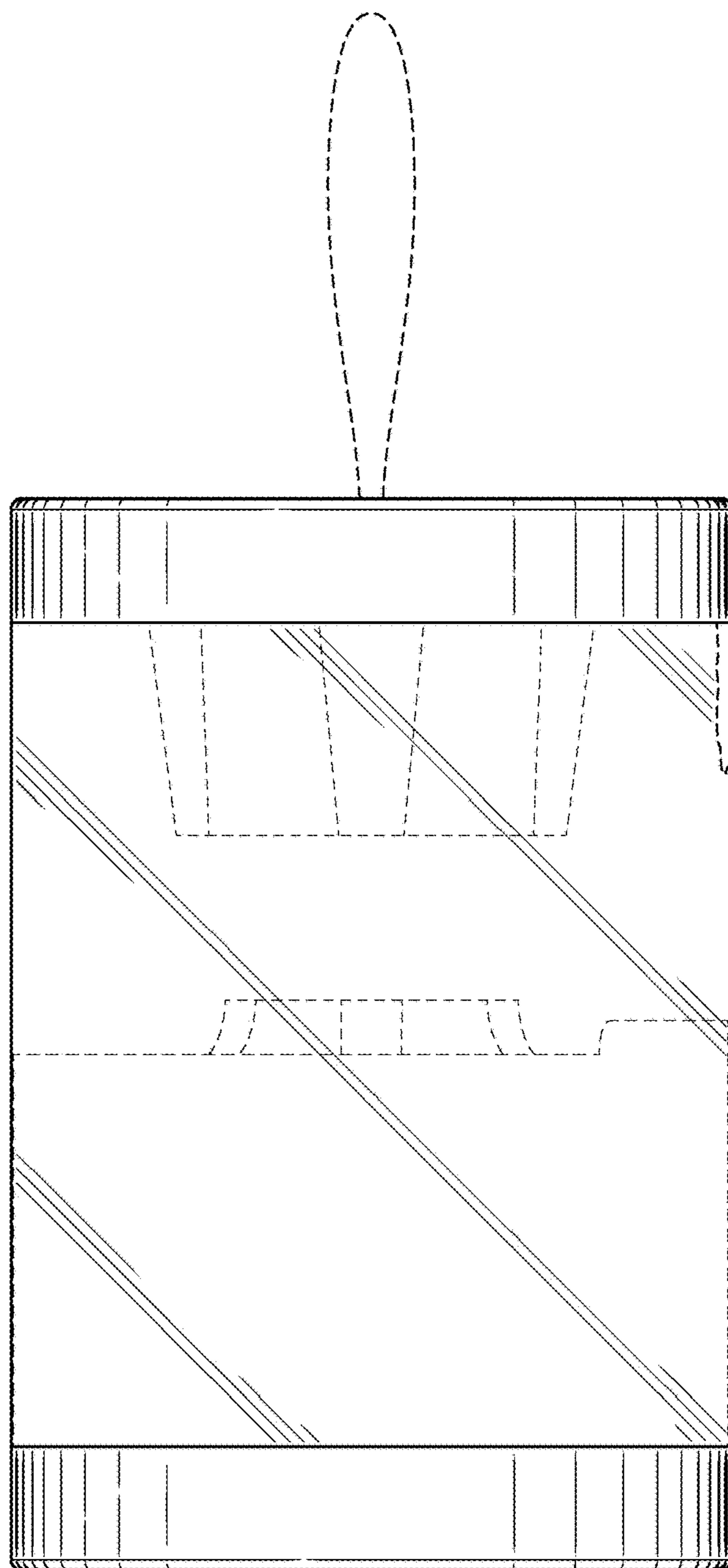


FIG. 16



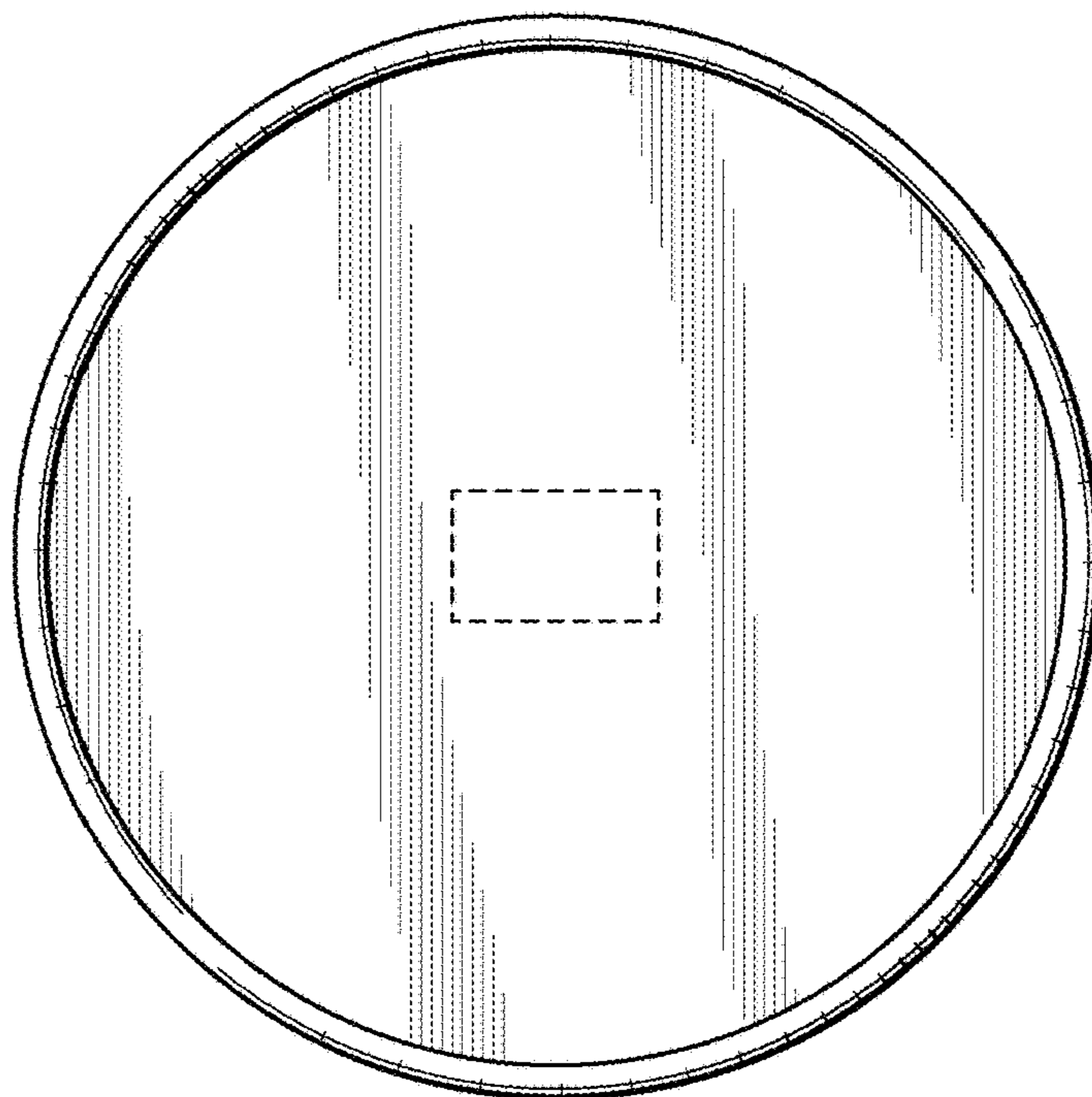


FIG. 17

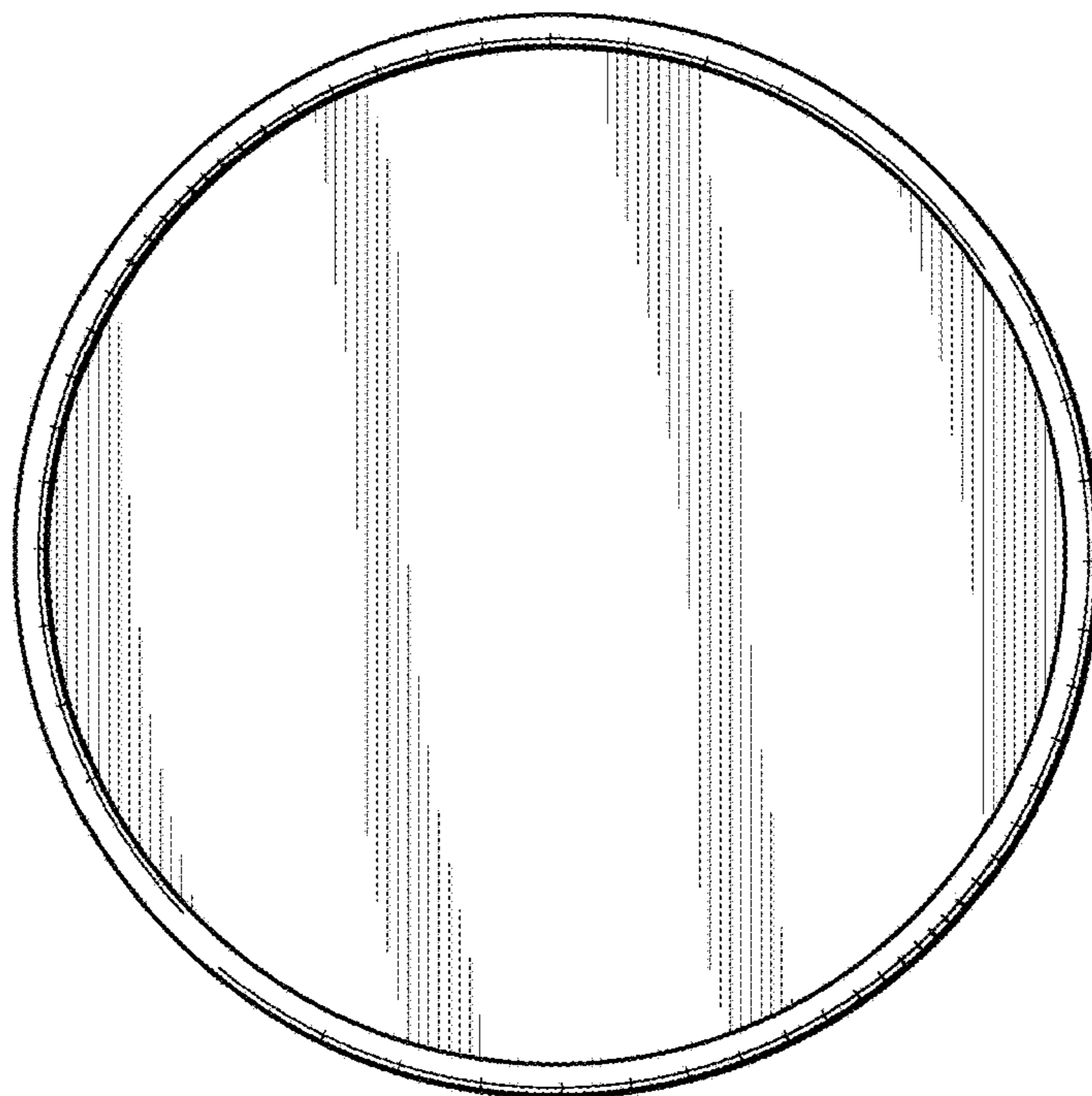


FIG. 18

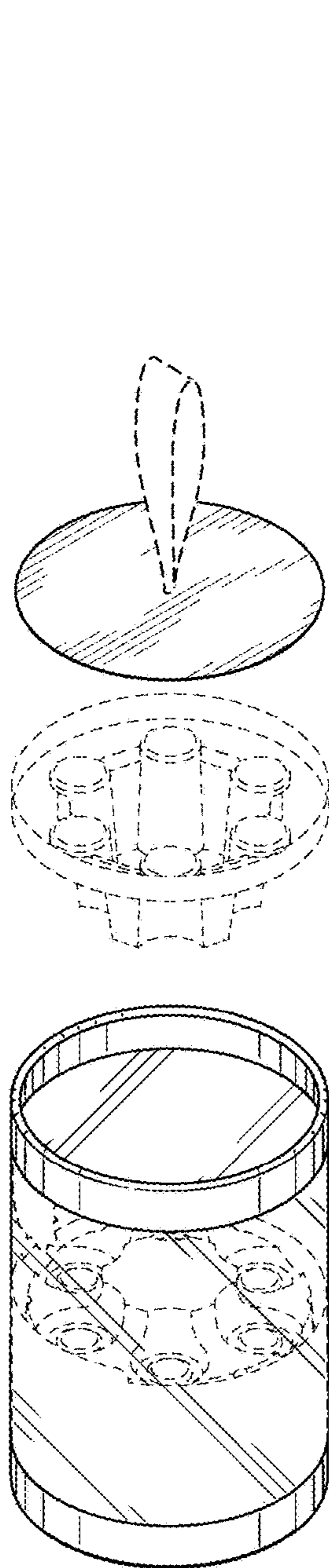


FIG. 19

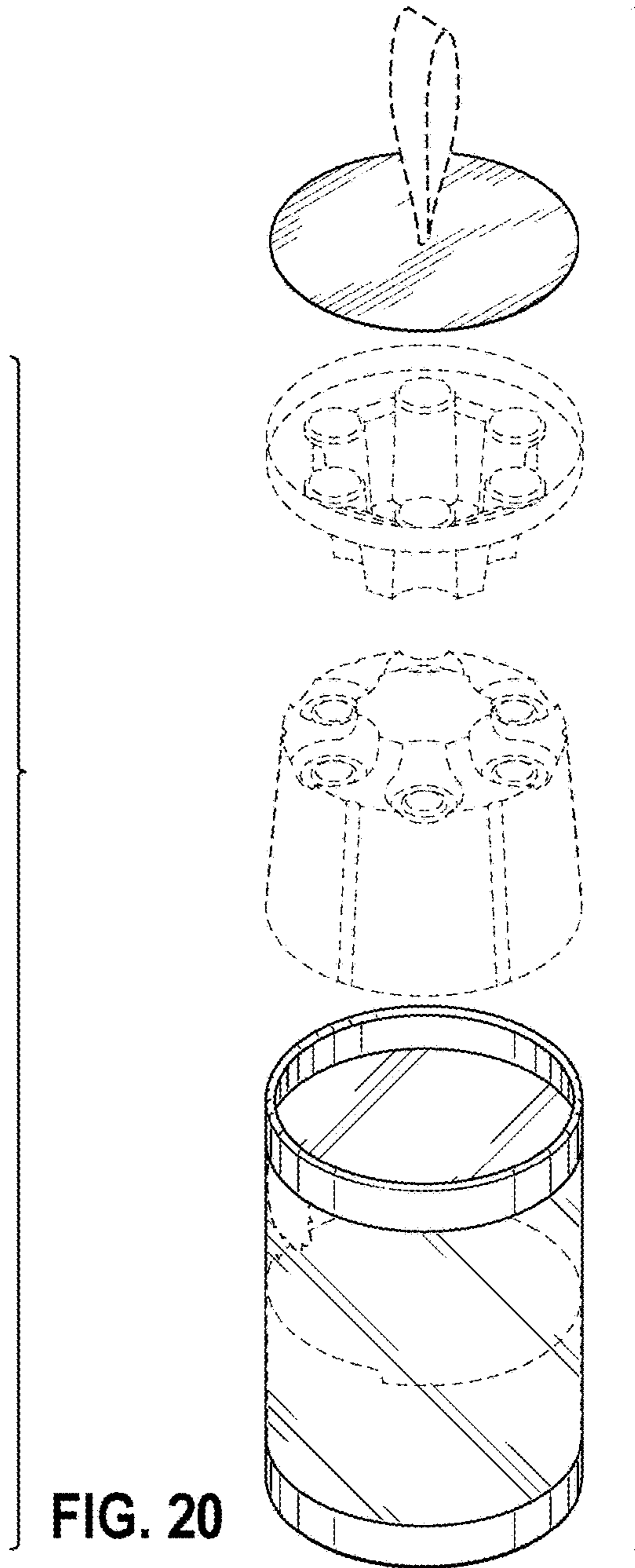


FIG. 20