



US00D866331S

(12) **United States Design Patent**
Laib et al.

(10) **Patent No.:** **US D866,331 S**

(45) **Date of Patent:** **** Nov. 12, 2019**

(54) **CONTAINER**

(71) Applicant: **Owens-Brockway Glass Container Inc.**, Perrysburg, OH (US)

(72) Inventors: **Douglas Laib**, Perrysburg, OH (US); **Paul Harris**, Toledo, OH (US); **Taylor Smith**, Findlay, OH (US); **Mikayla Houchell**, Hamilton, OH (US); **Sean Reardon**, Mentor, OH (US)

(73) Assignee: **Owens-Brockway Glass Container Inc.**, Perrysburg, OH (US)

(**) Term: **15 Years**

(21) Appl. No.: **29/680,255**

(22) Filed: **Feb. 14, 2019**

(51) **LOC (12) Cl.** **09-01**

(52) **U.S. Cl.**
USPC **D9/500**

(58) **Field of Classification Search**
USPC D9/500, 503-505, 516, 530, 537-540,
D9/544-545, 549, 558, 659, 715, 719;
D7/598
CPC B65D 1/00; B65D 1/02; B65D 1/0223;
B65D 1/023; B65D 2501/00; B65D
2501/0009

See application file for complete search history.

(56) **References Cited**

U.S. PATENT DOCUMENTS

D29,493 S * 10/1898 Burnett D9/500
D233,982 S * 12/1974 De Graw D9/500

D282,629 S * 2/1986 Stafford D9/500
D500,444 S * 1/2005 Drake D9/503
D566,570 S * 4/2008 Pence D9/552
D584,157 S * 1/2009 Lepoitevin D9/552
D642,469 S * 8/2011 Lauret D9/500
D654,794 S * 2/2012 Morais D9/500
D722,268 S * 2/2015 Bovo D9/504
D745,398 S * 12/2015 Cotton D9/500
D761,655 S * 7/2016 Chung D9/500
D762,476 S * 8/2016 Velmer D9/445
D811,889 S * 3/2018 Cheng D9/540
D815,532 S * 4/2018 Zhou D9/504

* cited by examiner

Primary Examiner — Dana Meyrow

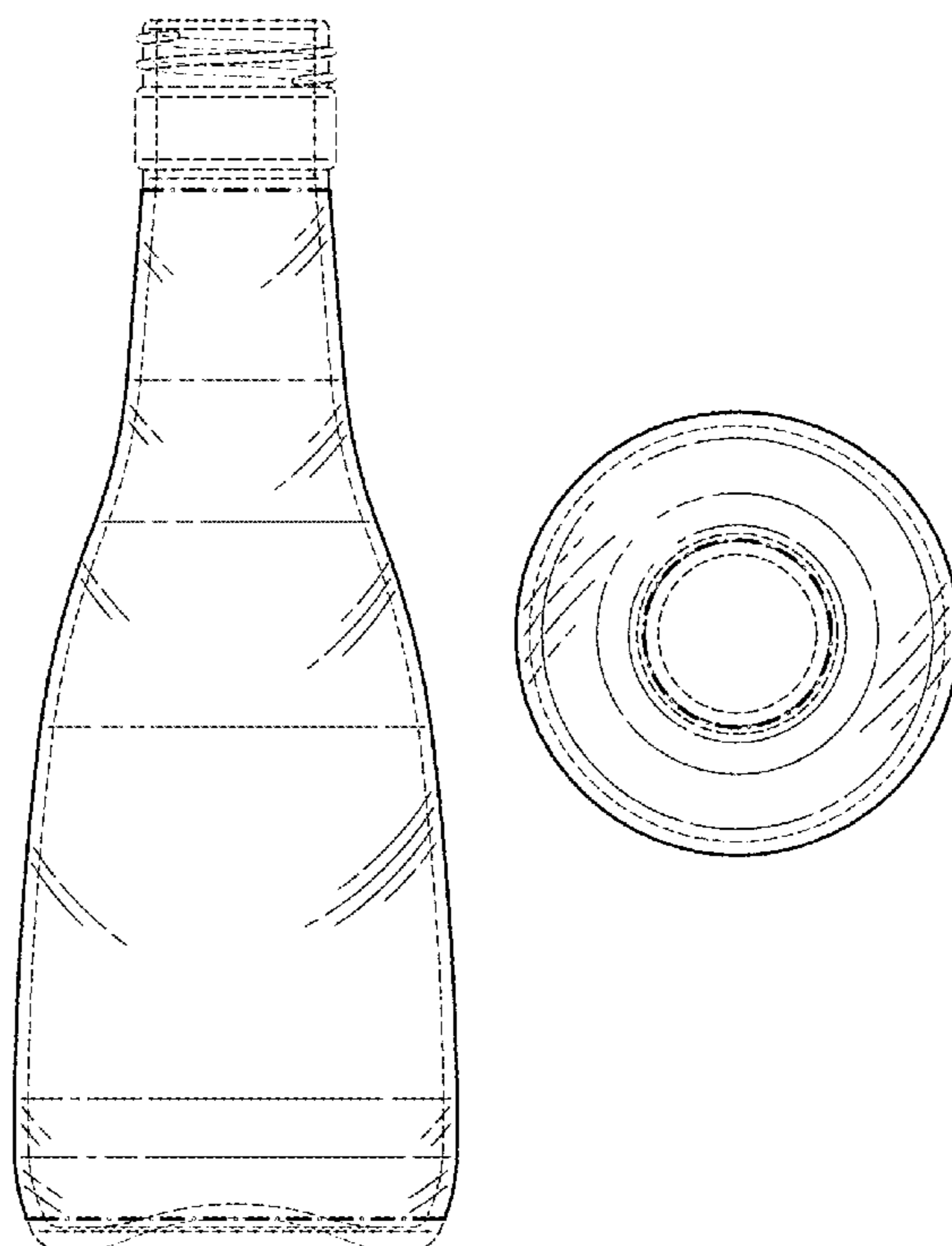
(57) **CLAIM**

We claim the ornamental design for the container, as shown and described.

DESCRIPTION

FIG. 1 is a perspective view of a container in accordance with our new design;
FIG. 2 is a front elevational view of the container in FIG. 1, the rear, right, and left elevational views being substantially the same as the front elevational view.
FIG. 3 is a top view of the container in FIG. 1; and,
FIG. 4 is a bottom view of the container in FIG. 1.
Dash-dash broken lines shown in the drawings illustrate portions of the container that form no part of the claimed design.
Dash-dot broken lines shown in the drawings represent boundaries of the claimed design and form no part of the claimed design.

1 Claim, 1 Drawing Sheet



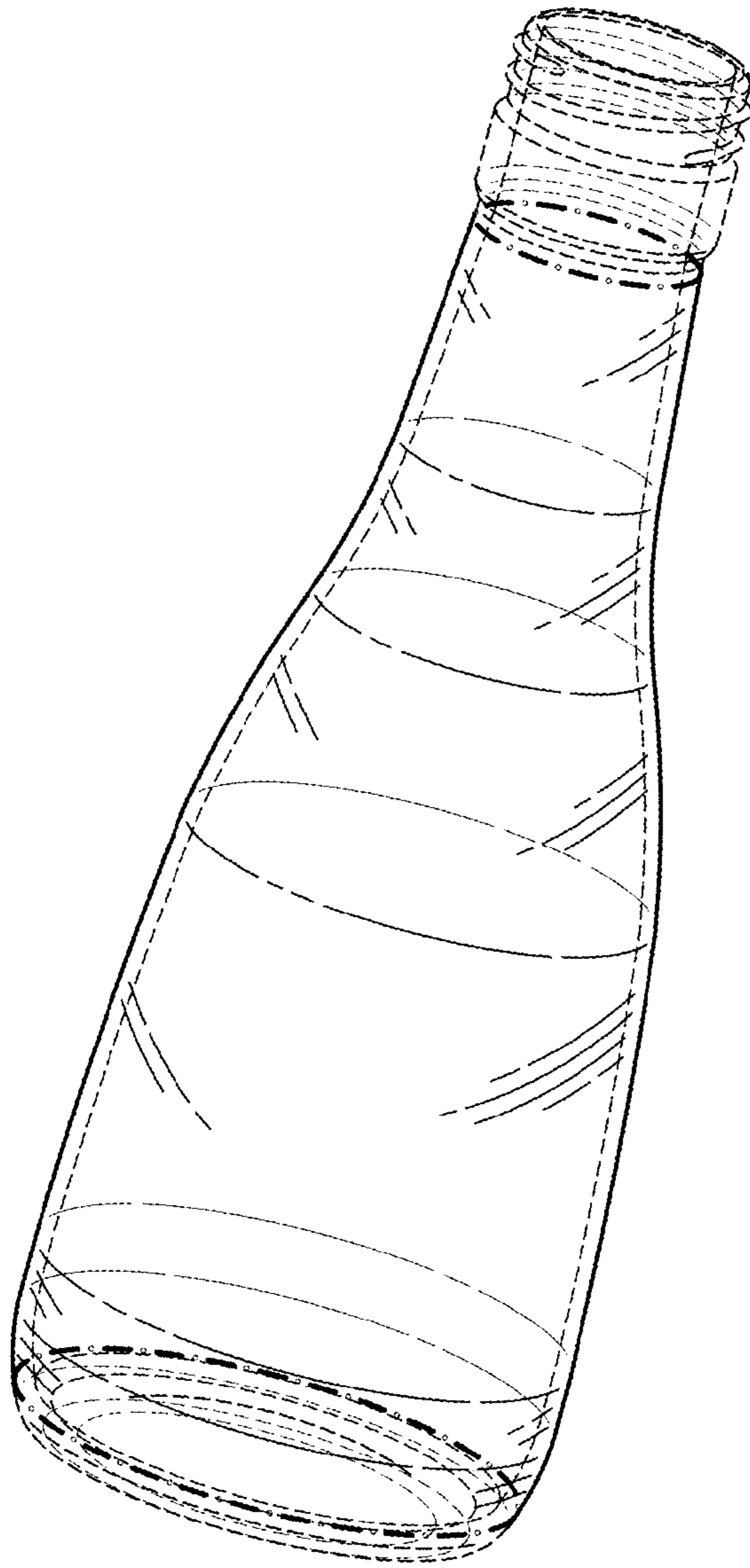


FIG. 1

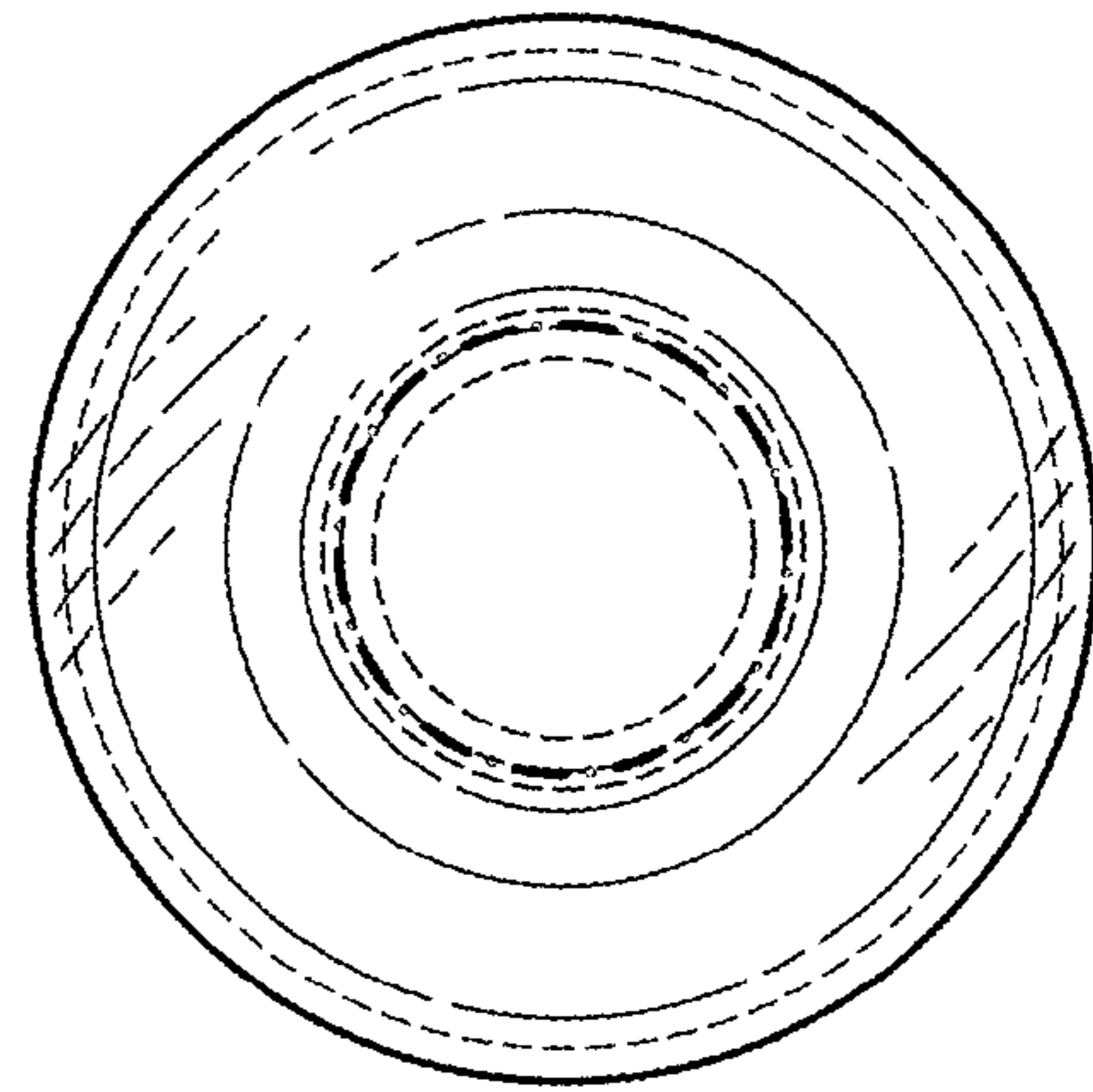


FIG. 3

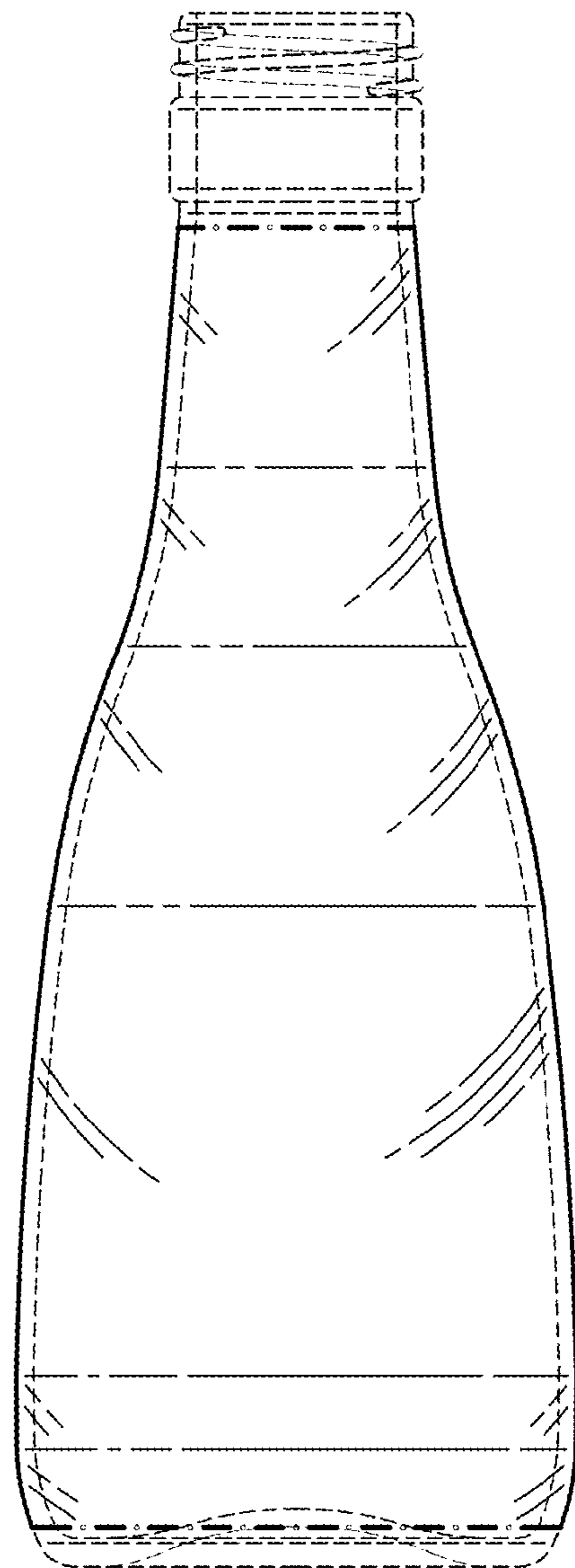


FIG. 2

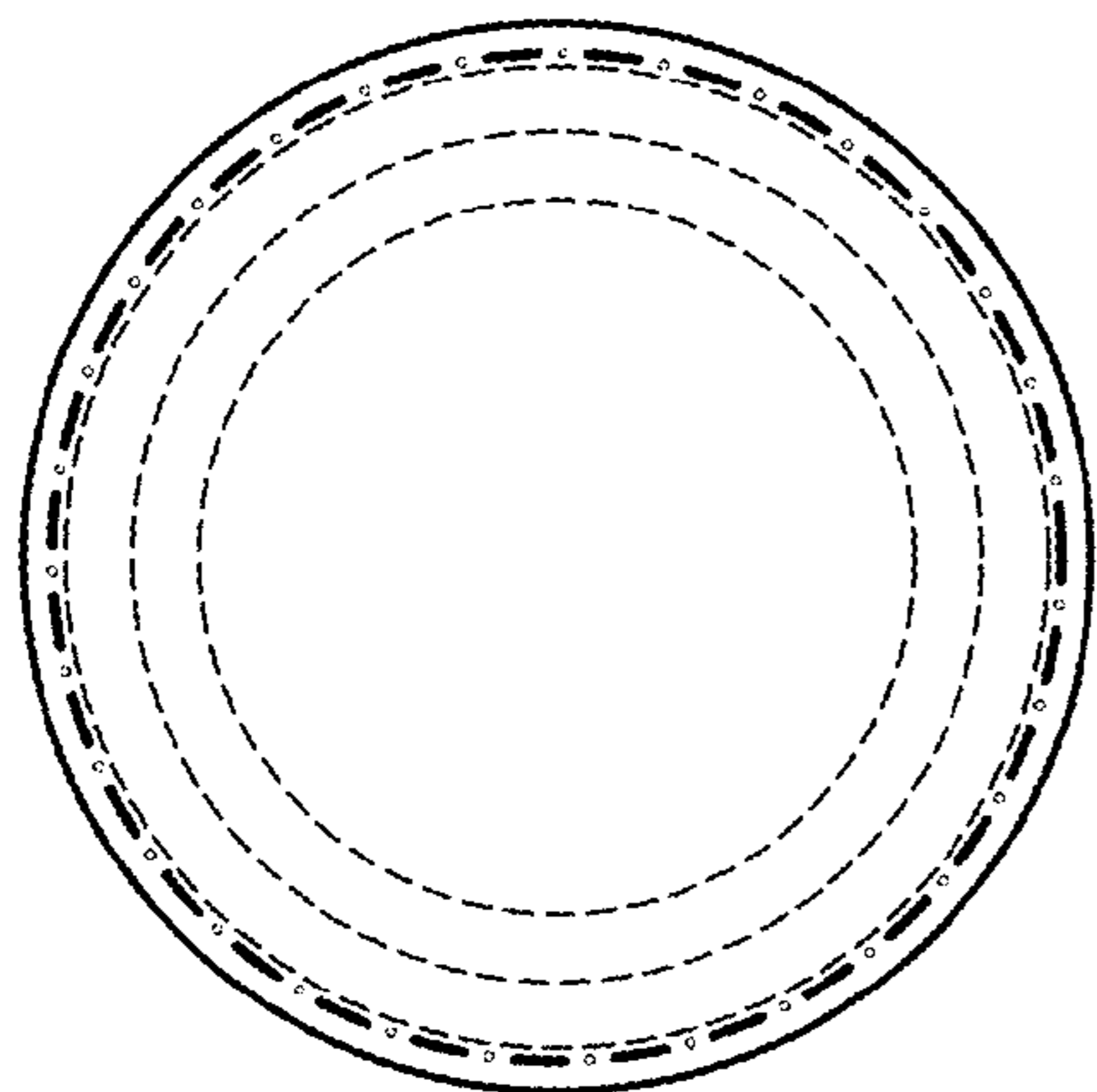


FIG. 4