



US00D866330S

(12) **United States Design Patent** (10) **Patent No.:** **US D866,330 S**
Tu (45) **Date of Patent:** **** Nov. 12, 2019**

(54) **MANUAL FLUID SPRAYER DEVICE**

(71) Applicant: **Zhejiang JM Industry Co., Ltd.**,
Yuyao, Zhejiang Province (CN)

(72) Inventor: **Xufeng Tu**, Yuyao (CN)

(73) Assignee: **Zhejiang JM Industry Co., LTD**,
Yuyao (CN)

(**) Term: **15 Years**

(21) Appl. No.: **29/654,652**

(22) Filed: **Jun. 26, 2018**

(51) **LOC (12) Cl.** **09-07**

(52) **U.S. Cl.**
USPC **D9/448**

(58) **Field of Classification Search**
USPC D9/428, 429, 432, 434, 435, 436, 439,
D9/440, 443, 444, 445, 447, 449-455,
D9/499, 500, 503, 504, 705, 448, 682,
D9/685; D7/317, 387, 391, 392, 392.1,
D7/393, 396.1, 396.2, 509-511, 538, 900;
D3/202, 203.2, 294, 302, 318; D28/91;
D23/226
CPC .. A61J 1/00; A61J 1/1412; B65D 1/00; B65D
1/02; B65D 1/10; B65D 1/46; B65D
2585/56; B65D 2585/545; B65D 41/00;
B65D 41/38; B65D 41/56; B65D 41/62;
B65D 47/00; B65D 47/06; B65D 47/08;
B65D 2543/00046; B65D 2543/00092;
B65D 2543/00296; B65D 5/46; B65D
2251/00

See application file for complete search history.

(56) **References Cited**

U.S. PATENT DOCUMENTS

D305,612 S * 1/1990 Haworth D9/523
D333,609 S * 3/1993 Beaumont D9/448
5,257,724 A * 11/1993 Steijns B05B 11/3045
222/153.06
D351,646 S * 10/1994 Foster D23/226

D373,312 S * 9/1996 Lin D23/226
D373,313 S * 9/1996 Lin D23/226
D400,102 S * 10/1998 Tada D9/448
D420,914 S * 2/2000 Cummings D9/448
D439,164 S * 3/2001 Keung D9/448
D447,415 S * 9/2001 Spengler D9/448
D477,779 S * 7/2003 Weihrauch D9/601

(Continued)

FOREIGN PATENT DOCUMENTS

CN 304492841 * 2/2018

Primary Examiner — Michael A. Pratt
Assistant Examiner — Wendy L Arminio

(74) *Attorney, Agent, or Firm* — Haugen Law Firm PLLP

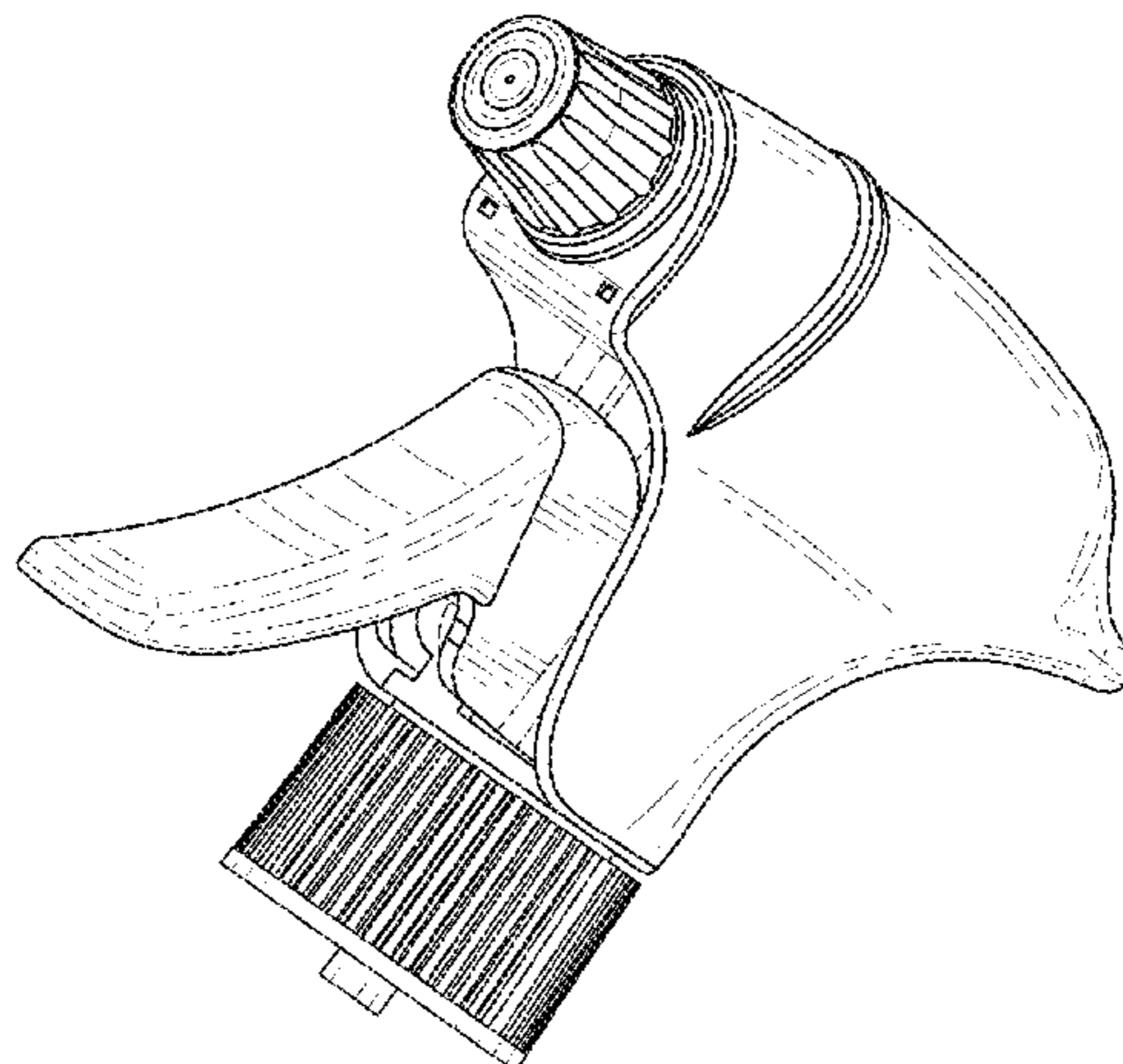
(57) **CLAIM**

The ornamental design for a manual fluid sprayer device, as shown and described.

DESCRIPTION

FIG. 1 is a front lower perspective view of the manual fluid sprayer device of the present invention;
FIG. 2 is a rear upper perspective view of the of the manual fluid sprayer device of the present invention;
FIG. 3 is a right side elevational view of the manual fluid sprayer device of the present invention;
FIG. 4 is a left side elevational view of the manual fluid sprayer device of the present invention;
FIG. 5 is a front elevational view of the manual fluid sprayer device of the present invention;
FIG. 6 is a rear elevational view of the manual fluid sprayer device of the present invention;
FIG. 7 is a top plan view of the manual fluid sprayer device of the present invention; and,
FIG. 8 is a bottom plan view of the manual fluid sprayer device of the present invention.
The portions of the manual fluid sprayer device shown in broken lines form no part of the claimed design.

1 Claim, 8 Drawing Sheets



(56)

References Cited

U.S. PATENT DOCUMENTS

D521,864 S *	5/2006	Cartoni	D9/448
D523,337 S *	6/2006	Yang	D9/448
D546,683 S *	7/2007	Yang	D9/448
D550,079 S *	9/2007	Yang	D9/448
D582,768 S *	12/2008	Cantoni	D9/448
D582,770 S *	12/2008	Turchi	D9/448
D587,574 S *	3/2009	Cantoni	D9/448
D601,897 S *	10/2009	Contiero	D9/448
D625,188 S *	10/2010	Rech	D9/448
D632,175 S *	2/2011	Tu	D9/448
D662,816 S *	7/2012	Notarianni	D9/448
D685,268 S *	7/2013	Gill	D9/448
D692,775 S *	11/2013	Burgeson	D9/448
D744,351 S *	12/2015	Hansen	D9/685

* cited by examiner

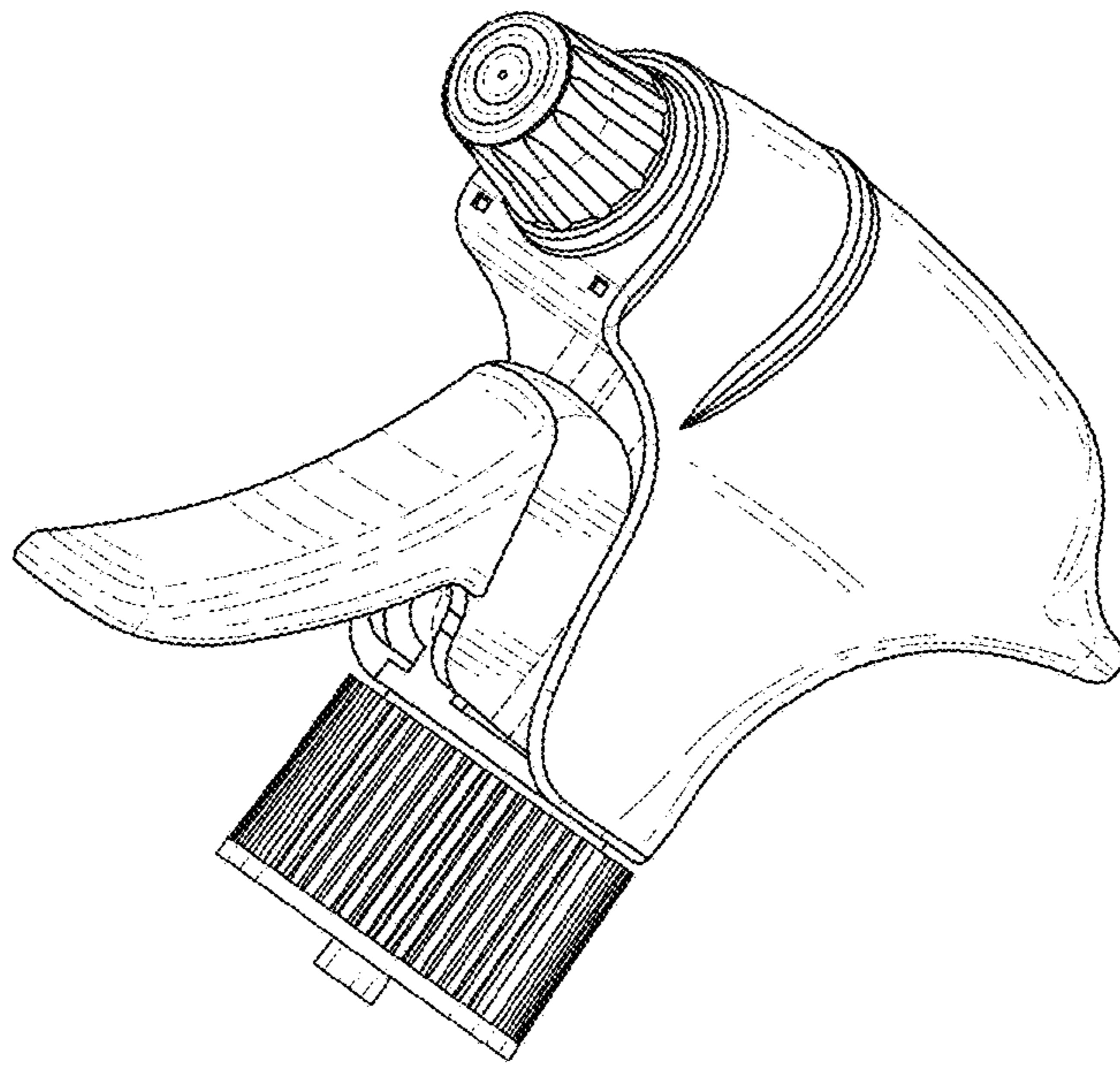


FIG. 1

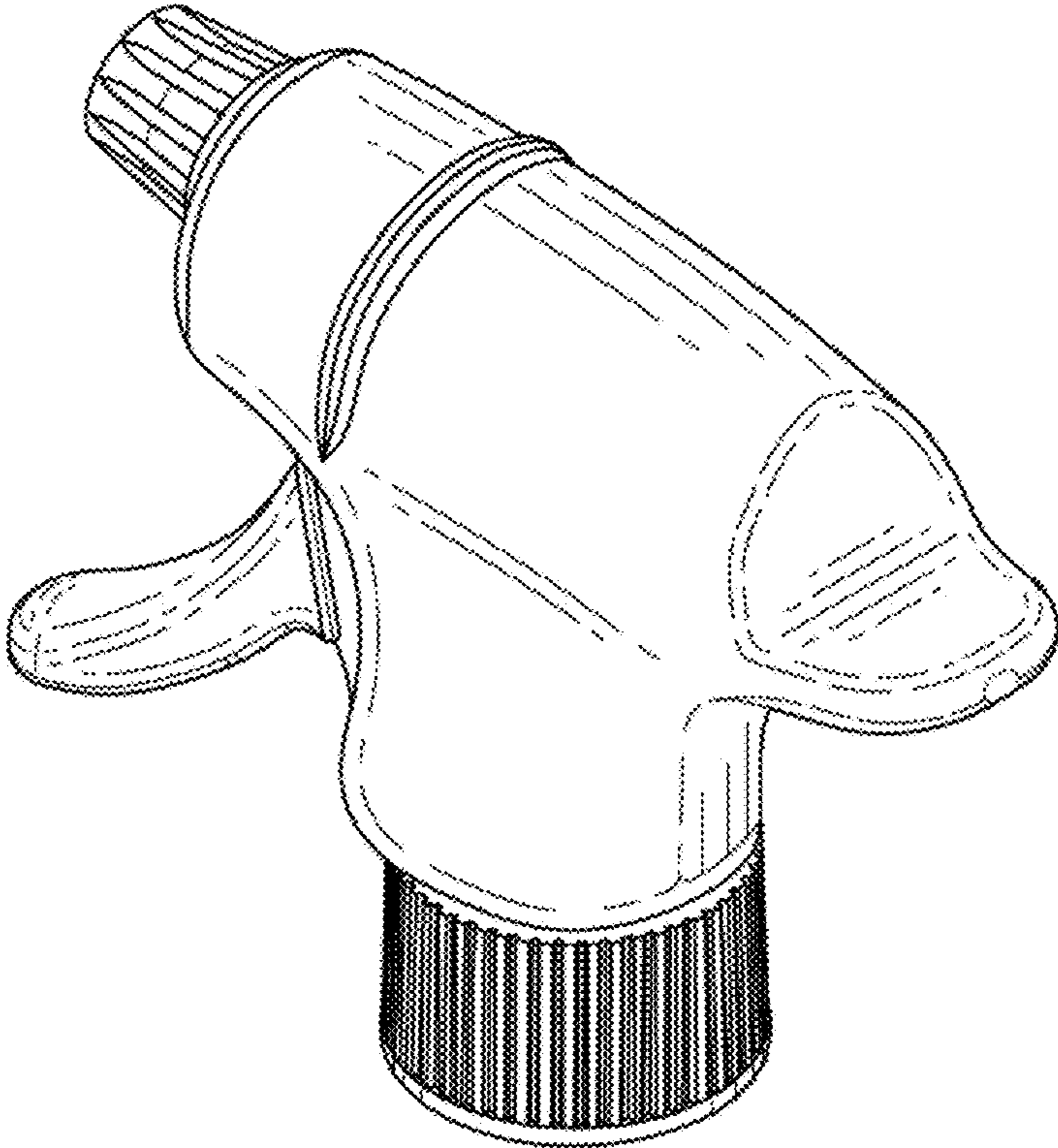


FIG. 2

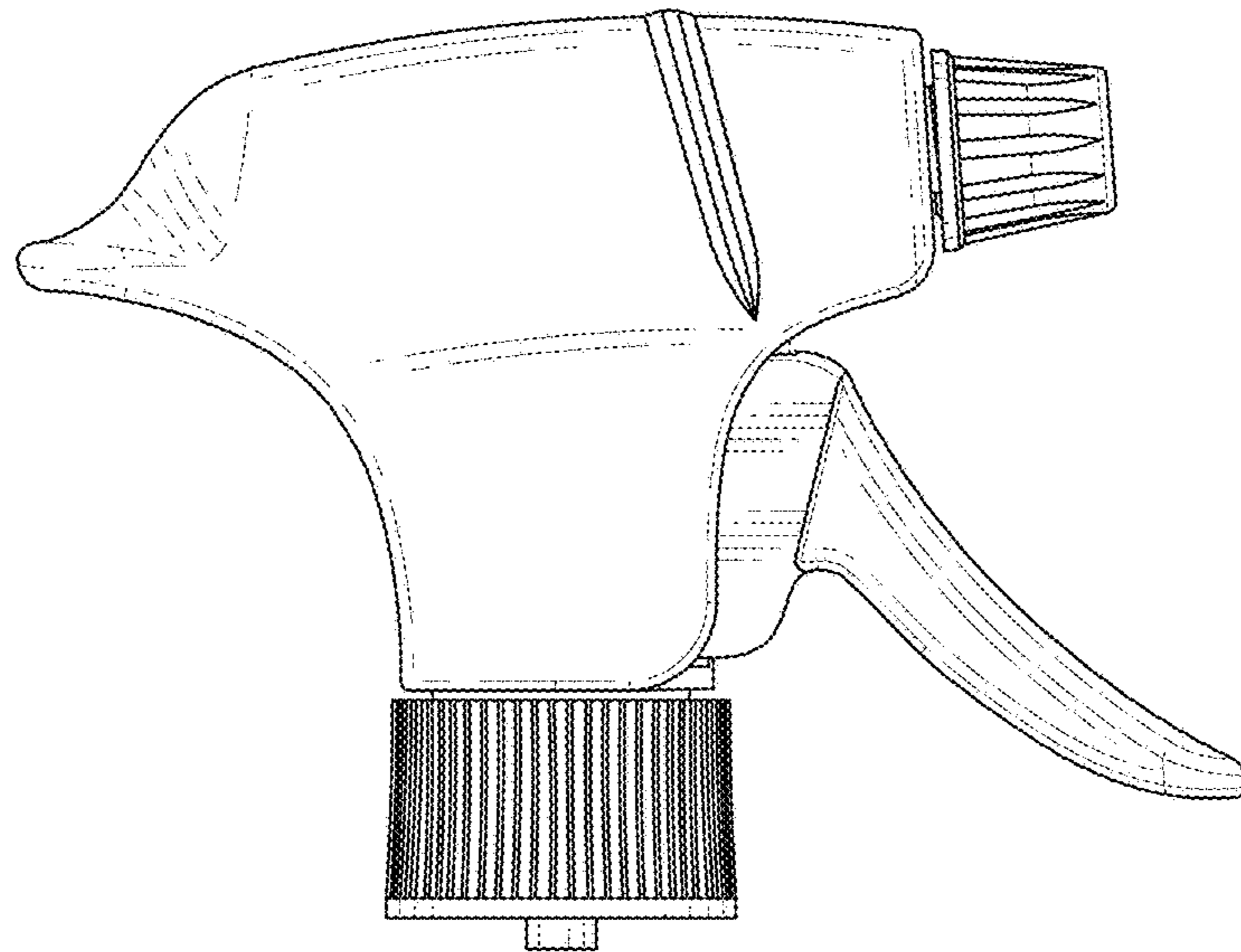


FIG. 3

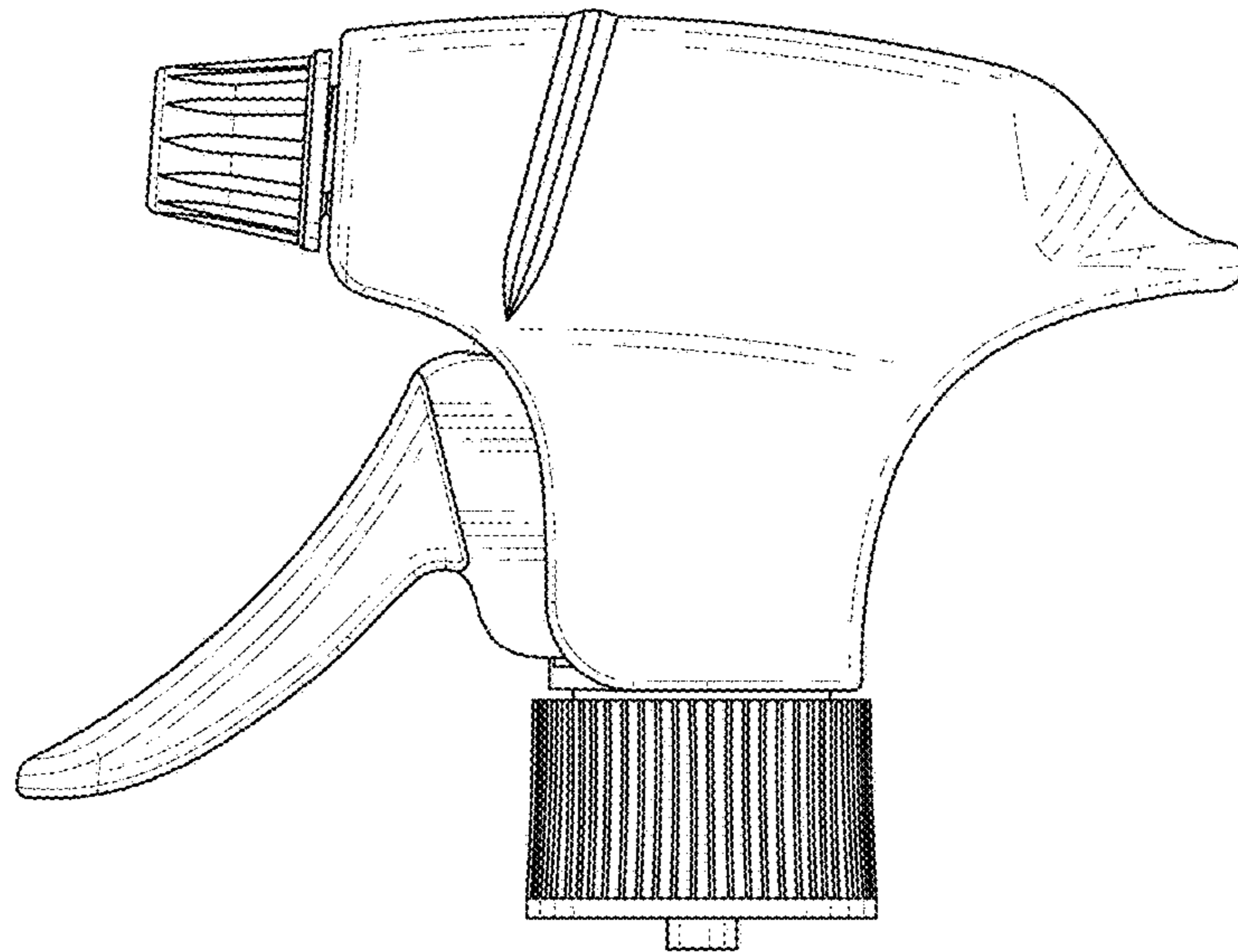


FIG. 4

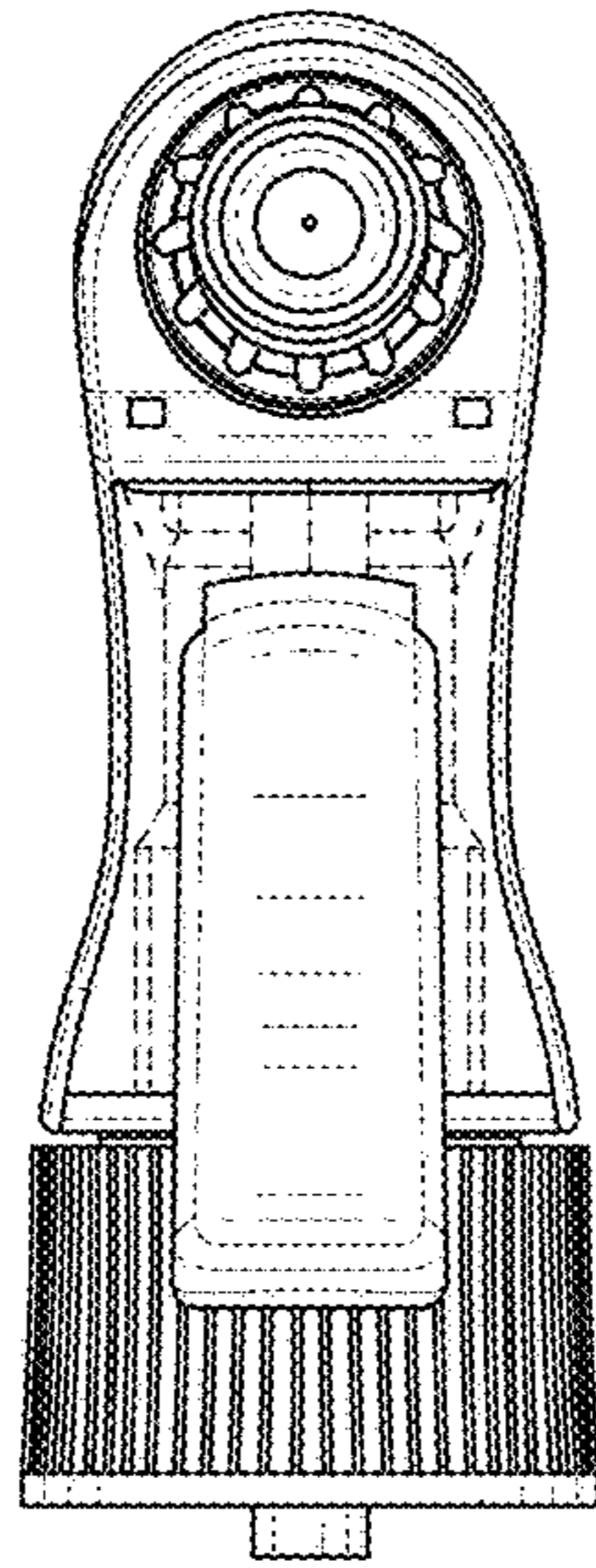


FIG. 5

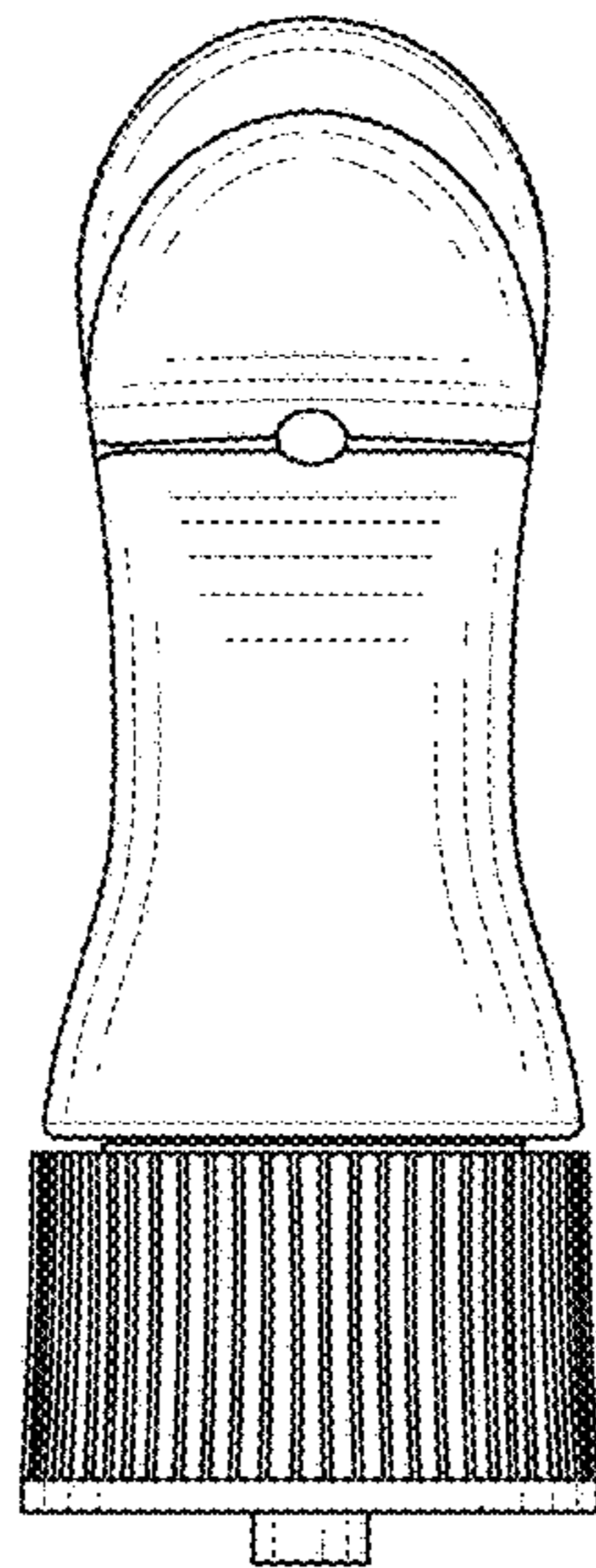


FIG. 6

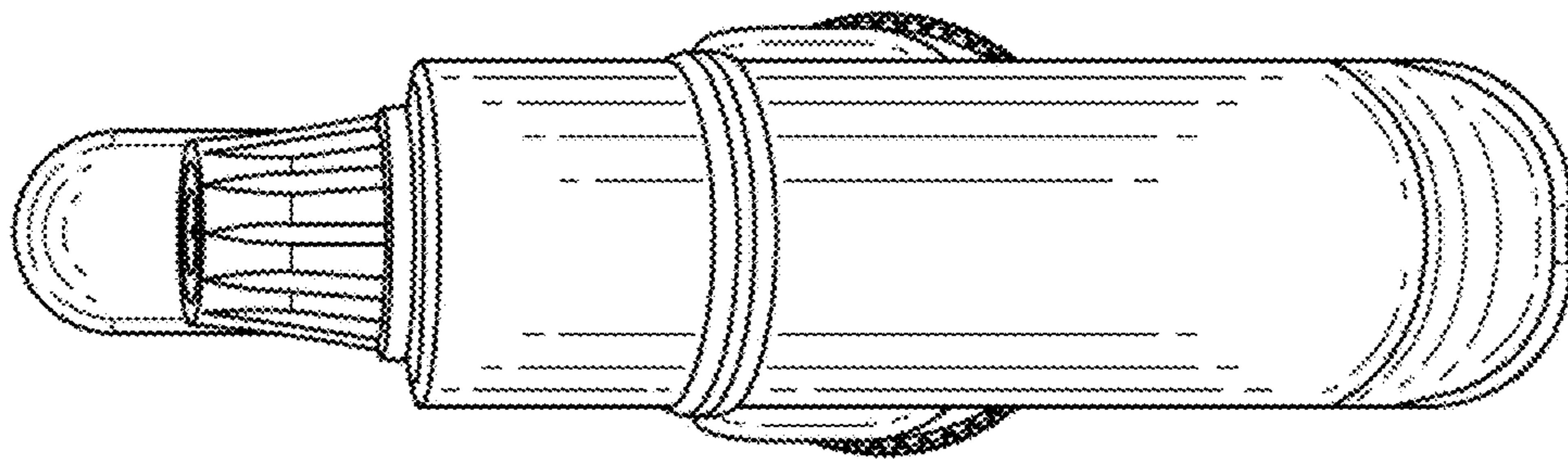


FIG. 7

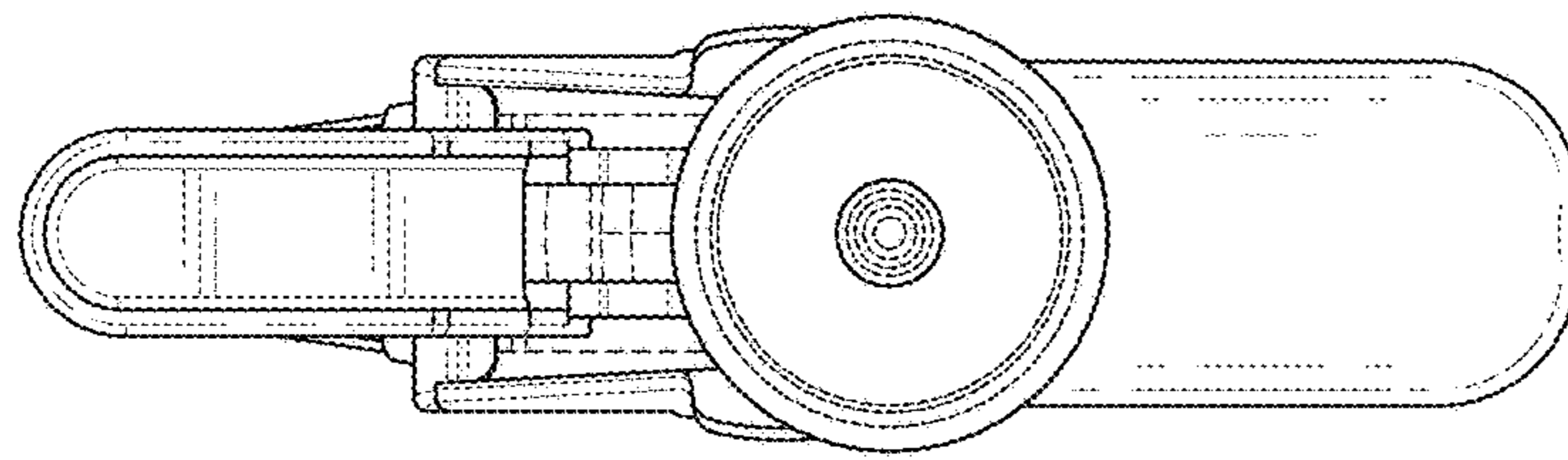


FIG. 8