

US00D866327S

(12) **United States Design Patent** (10) **Patent No.:** **US D866,327 S**
Tu (45) **Date of Patent:** **** Nov. 12, 2019**

(54) **MANUAL FLUID SPRAYER DEVICE**
(71) Applicant: **Zhejiang JM Industry Co., Ltd.**,
Yuyao, Zhejiang Province (CN)
(72) Inventor: **Xufeng Tu**, Yuyao (CN)
(73) Assignee: **Zhejiang JM Industry Co., LTD**,
Yuyao (CN)
(**) Term: **15 Years**
(21) Appl. No.: **29/654,631**
(22) Filed: **Jun. 26, 2018**
(51) **LOC (12) Cl.** **09-07**
(52) **U.S. Cl.**
USPC **D9/448**
(58) **Field of Classification Search**
USPC D9/428, 429, 432, 434, 435, 436, 439,
D9/440, 443, 444, 445, 447, 449-455,
D9/499, 500, 503, 504, 705, 448, 682,
D9/685; D7/317, 387, 391, 392, 392.1,
D7/393, 396.1, 396.2, 509-511, 538, 900;
D3/202, 203.2, 294, 302, 318; D28/91;
D23/226
CPC .. A61J 1/00; A61J 1/1412; B65D 1/00; B65D
1/02; B65D 1/10; B65D 1/46; B65D
2585/56; B65D 2585/545; B65D 41/00;
B65D 41/38; B65D 41/56; B65D 41/62;
B65D 47/00; B65D 47/06; B65D 47/08;
B65D 2543/00046; B65D 2543/00092;
B65D 2543/00296; B65D 5/46; B65D
2251/00
See application file for complete search history.

D400,102 S * 10/1998 Tada D9/448
D421,388 S * 3/2000 Cummings D9/448
D466,402 S * 12/2002 Cummings D9/685
D523,337 S * 6/2006 Yang D9/448
D550,079 S * 9/2007 Yang D9/448
D578,886 S * 10/2008 Sokol D9/448
D582,769 S * 12/2008 Turchi D9/448
D583,233 S * 12/2008 Cantoni D9/448

(Continued)

FOREIGN PATENT DOCUMENTS

CN 304704141 * 6/2018
Primary Examiner — Michael A. Pratt
Assistant Examiner — Wendy L Arminio
(74) *Attorney, Agent, or Firm* — Haugen Law Firm PLLP

(57) **CLAIM**

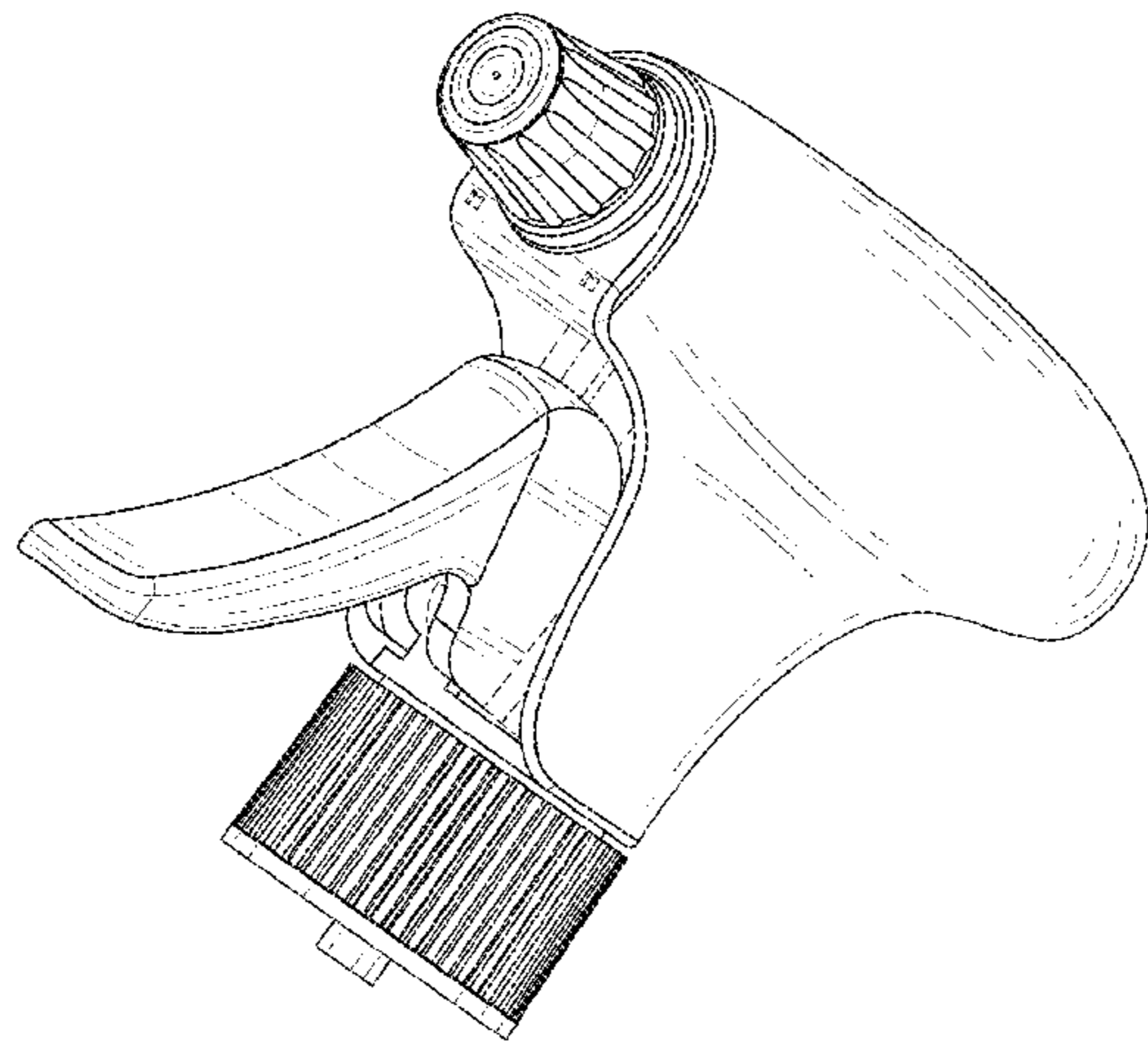
The ornamental design for a manual fluid sprayer device, as shown and described.

DESCRIPTION

FIG. 1 is a rear upper perspective view of the manual fluid sprayer device of the present invention;
FIG. 2 is a right side elevational view of the manual fluid sprayer device of the present invention;
FIG. 3 is a left side elevational view of the manual fluid sprayer device of the present invention;
FIG. 4 is a front elevational view of the manual fluid sprayer device of the present invention;
FIG. 5 is a rear elevational view of the manual fluid sprayer device of the present invention;
FIG. 6 is a top plan view of the manual fluid sprayer device of the present invention;
FIG. 7 is a bottom plan view of the manual fluid sprayer device of the present invention; and,
FIG. 8 is a front lower perspective view of the manual fluid sprayer device of the present invention.
The portions of the manual fluid sprayer device shown in broken lines form no part of the claimed design.

1 Claim, 8 Drawing Sheets

(56) **References Cited**
U.S. PATENT DOCUMENTS
D336,846 S * 6/1993 Proctor D9/684
D343,577 S * 1/1994 Proctor D9/448
D351,646 S * 10/1994 Foster D23/226
D373,312 S * 9/1996 Lin D23/226



(56)

References Cited

U.S. PATENT DOCUMENTS

D587,574 S *	3/2009	Cantoni	D9/448
D601,897 S *	10/2009	Contiero	D9/448
D625,187 S *	10/2010	McCay	D9/448
D632,175 S *	2/2011	Tu	D9/448
D662,816 S *	7/2012	Notarianni	D9/448
D664,431 S *	7/2012	Wang	D9/448
D674,706 S *	1/2013	Birdwell	D9/685
D685,268 S *	7/2013	Gill	D9/448
D692,775 S *	11/2013	Burgeson	D9/448
D715,648 S *	10/2014	Kistler	D9/448
2010/0200675 A1 *	8/2010	Tu	B05B 11/3011 239/428.5

* cited by examiner

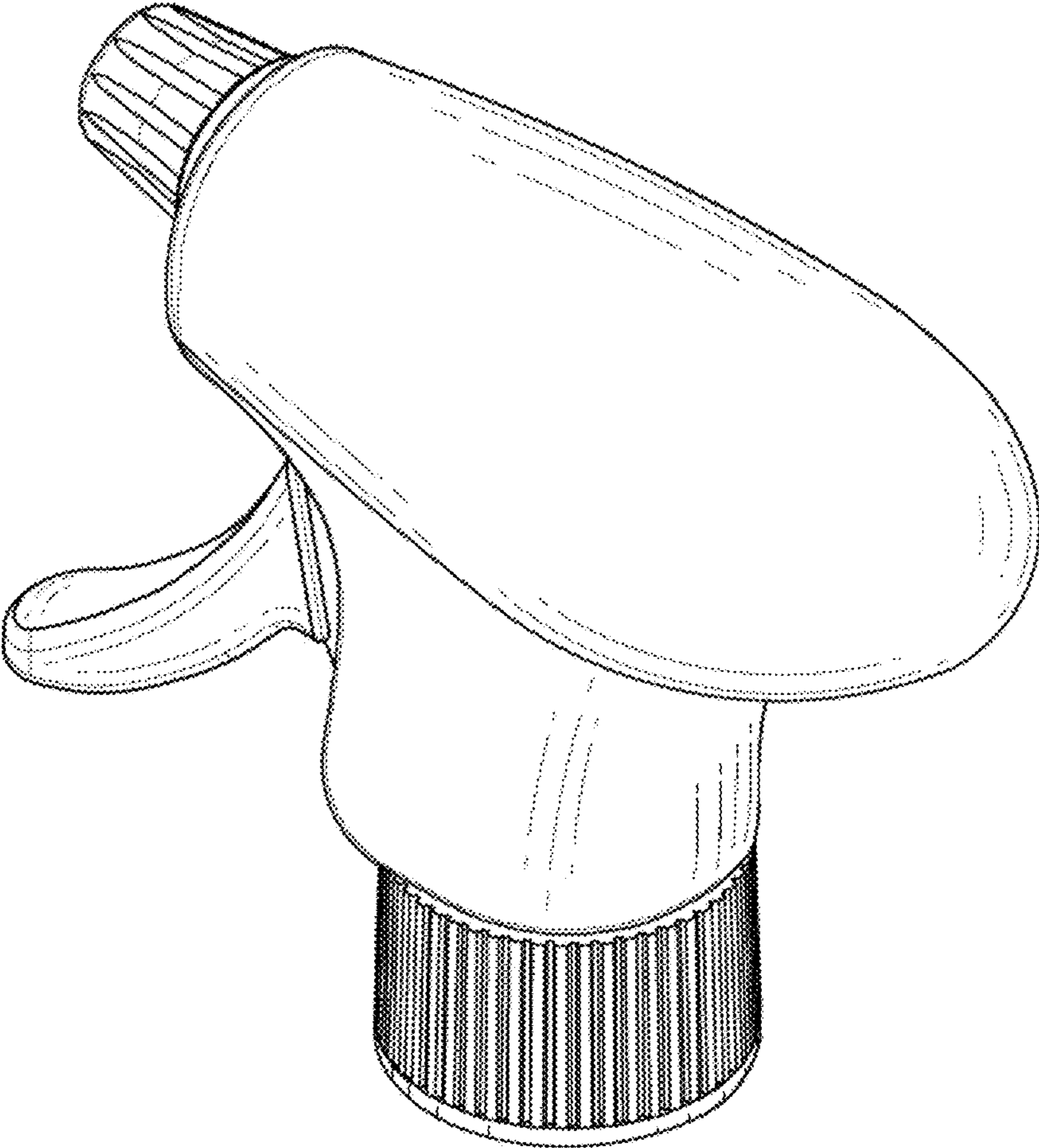


FIG. 1

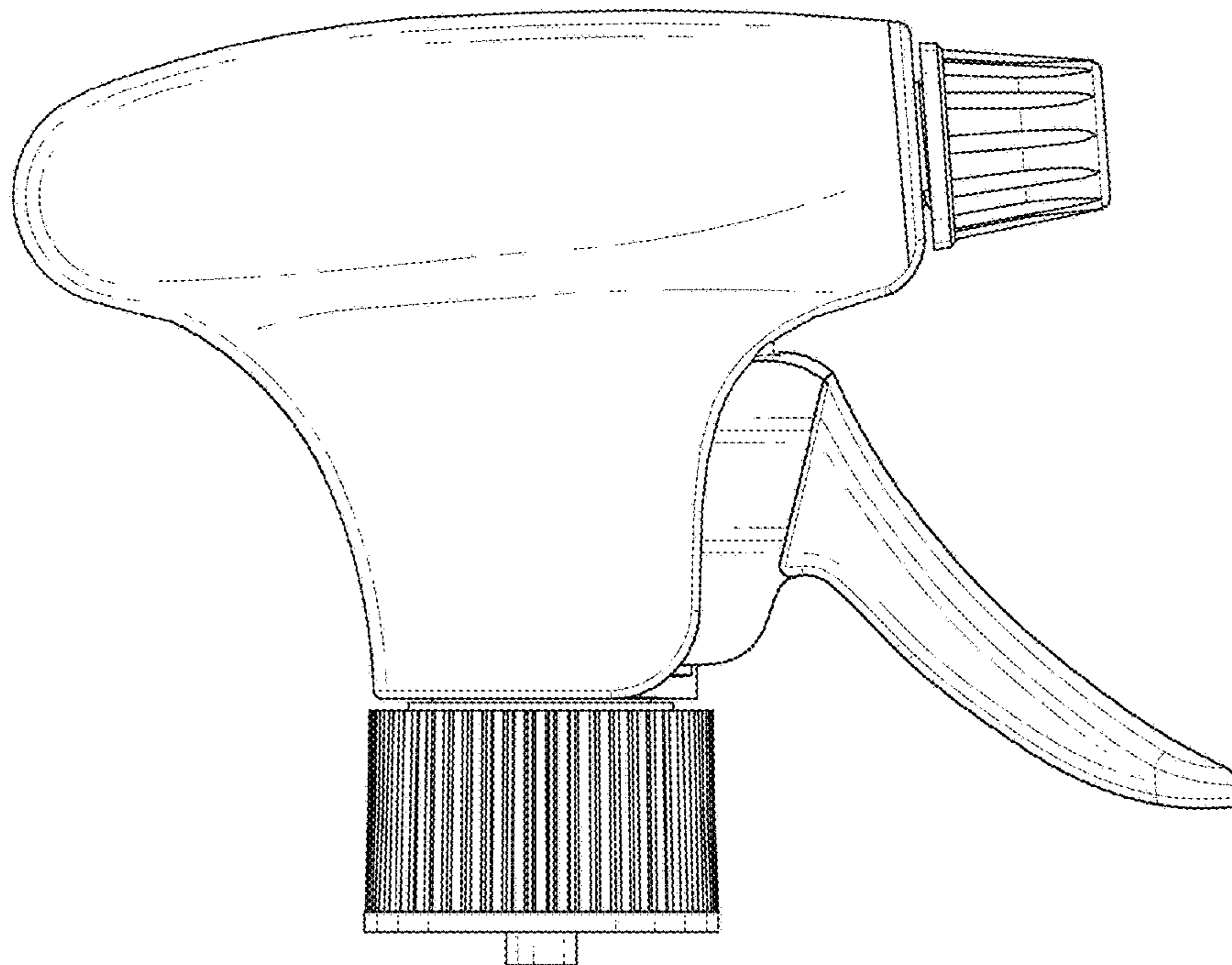


FIG. 2

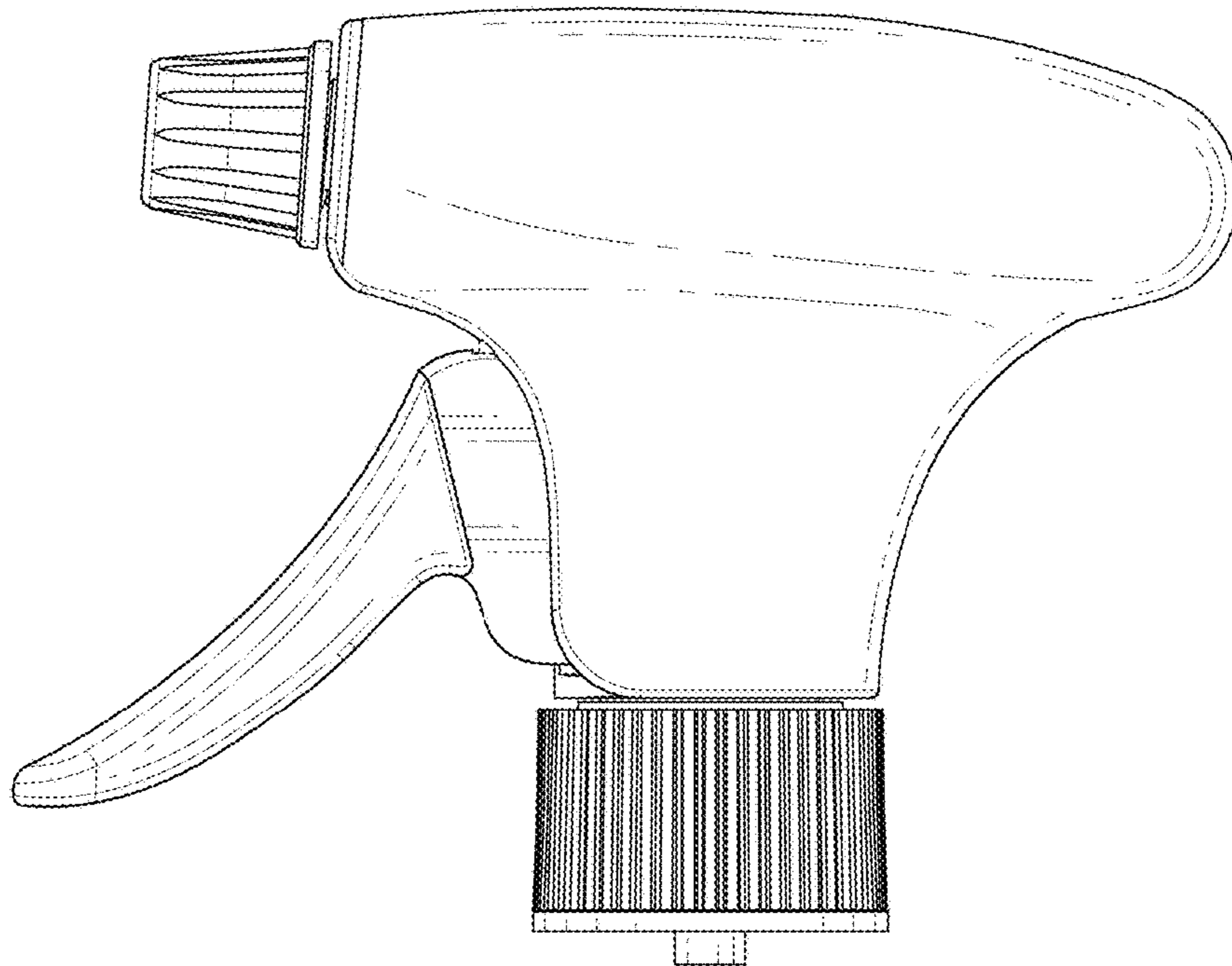


FIG. 3

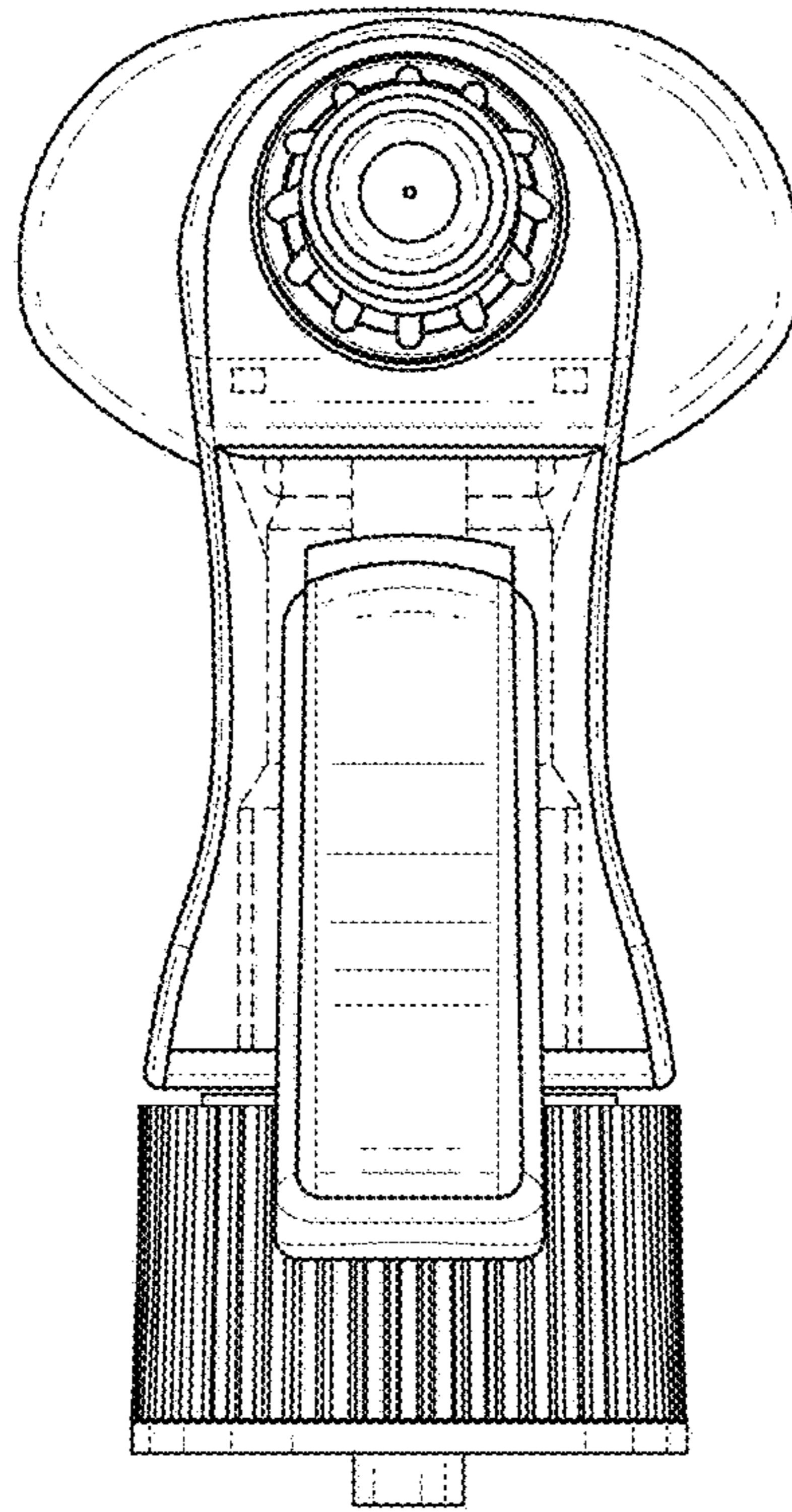


FIG. 4

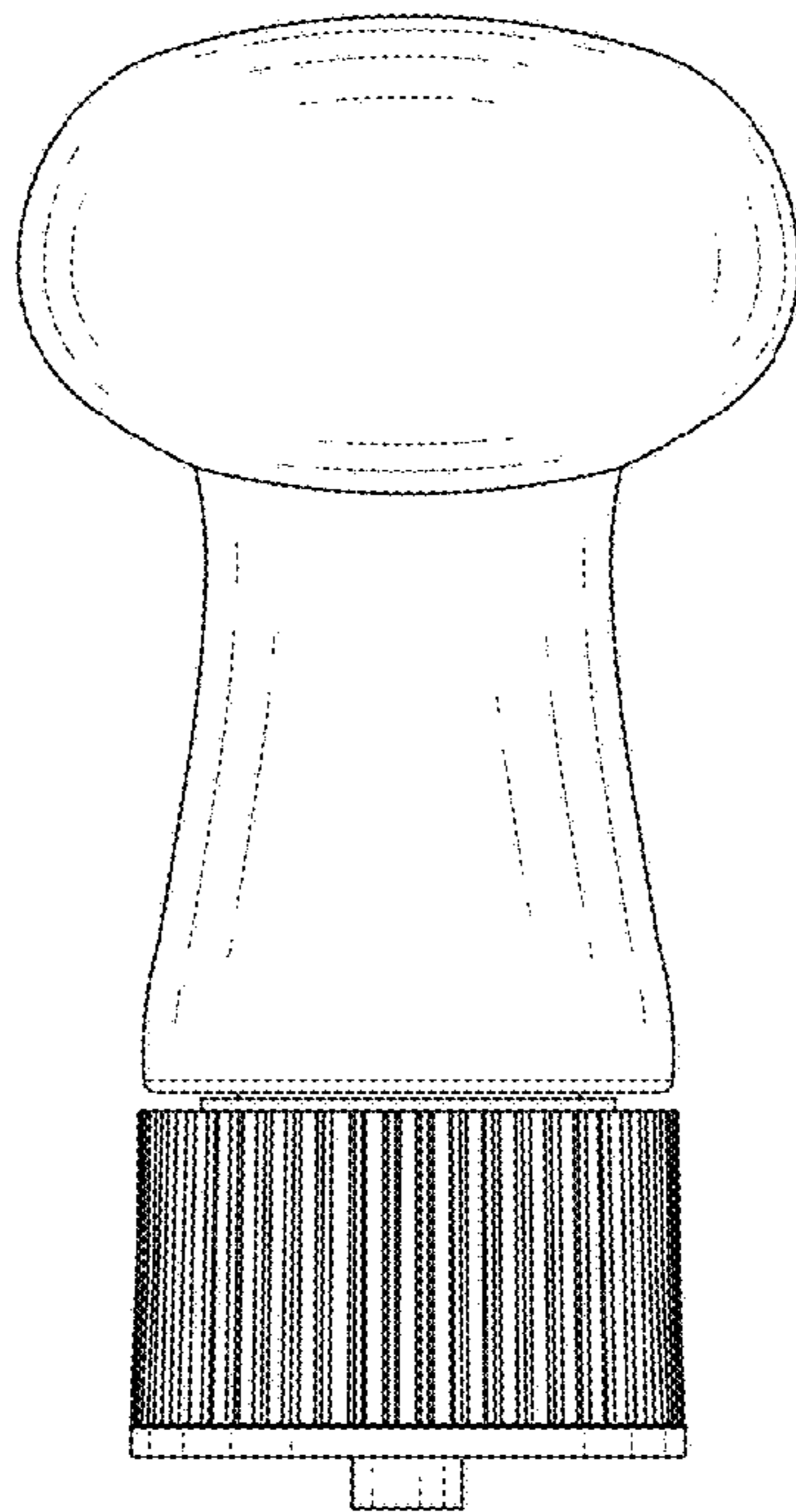


FIG. 5

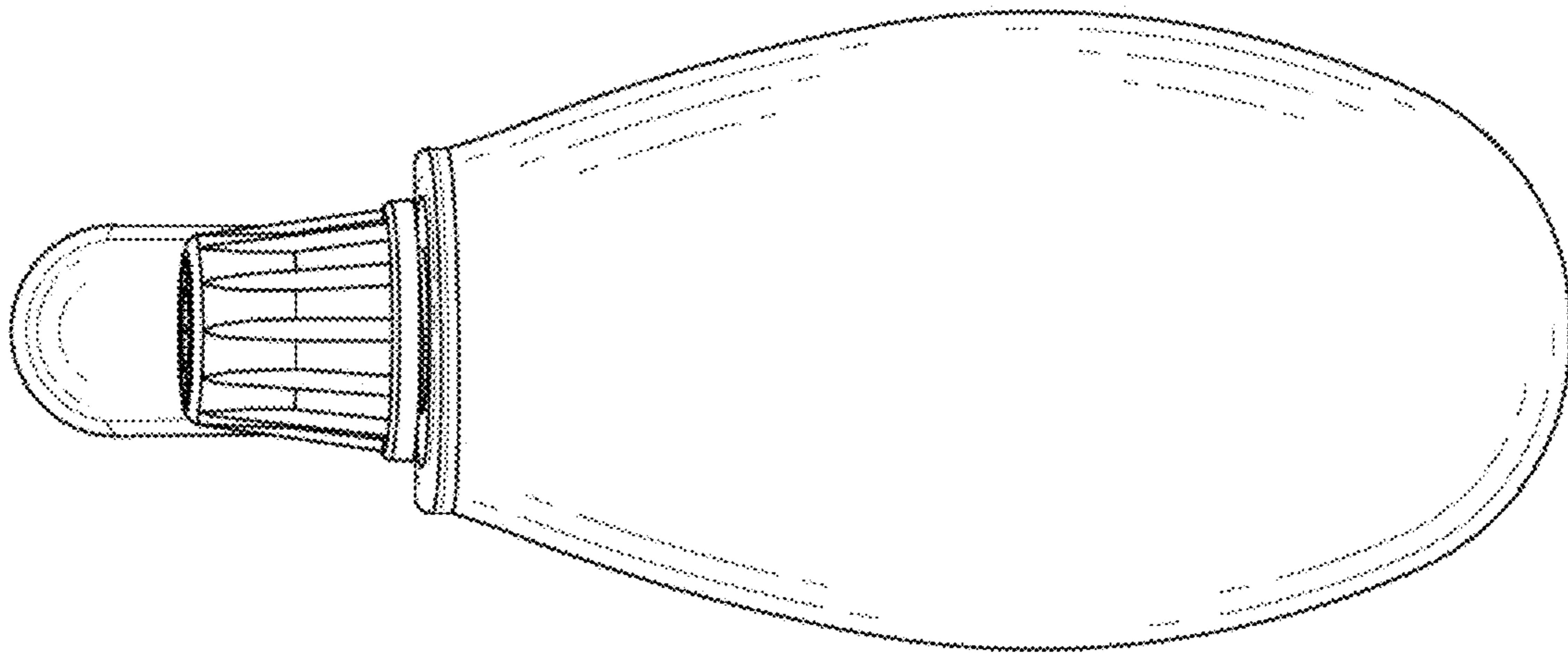


FIG. 6

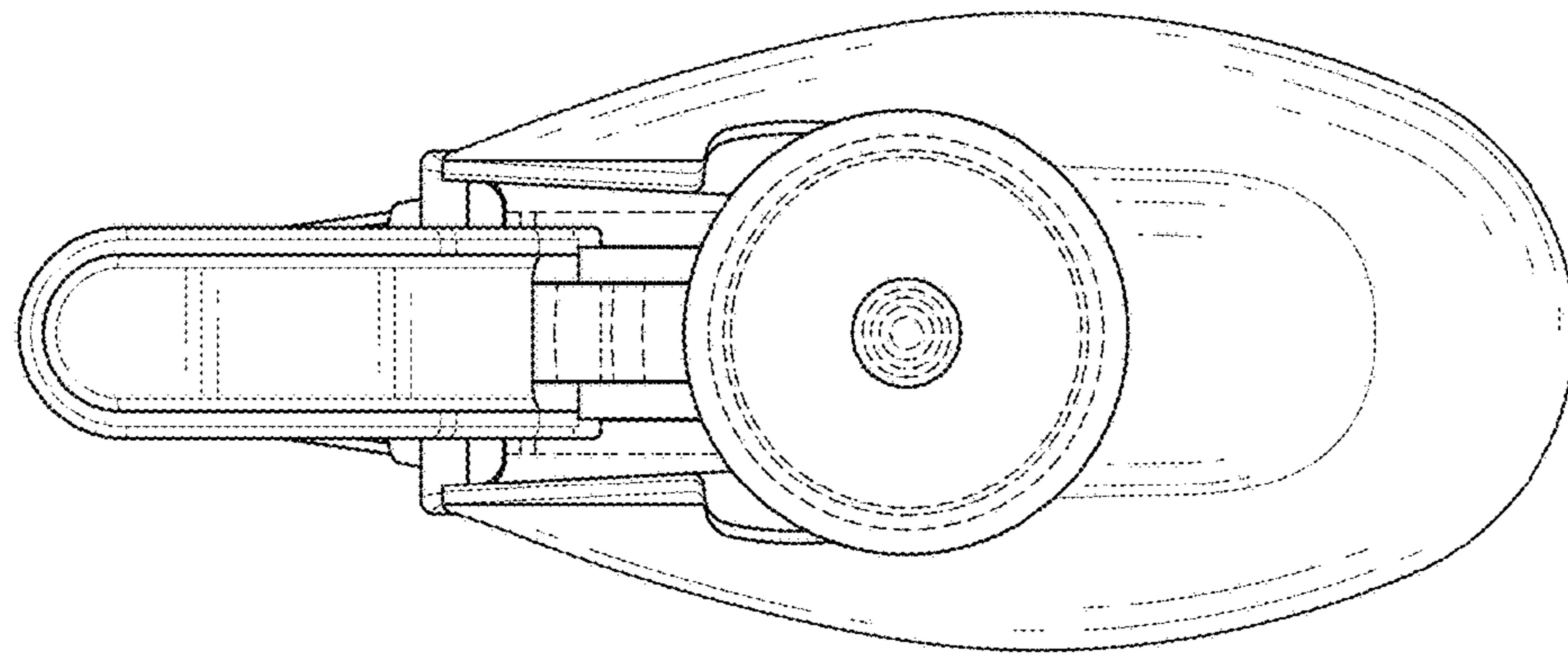


FIG. 7

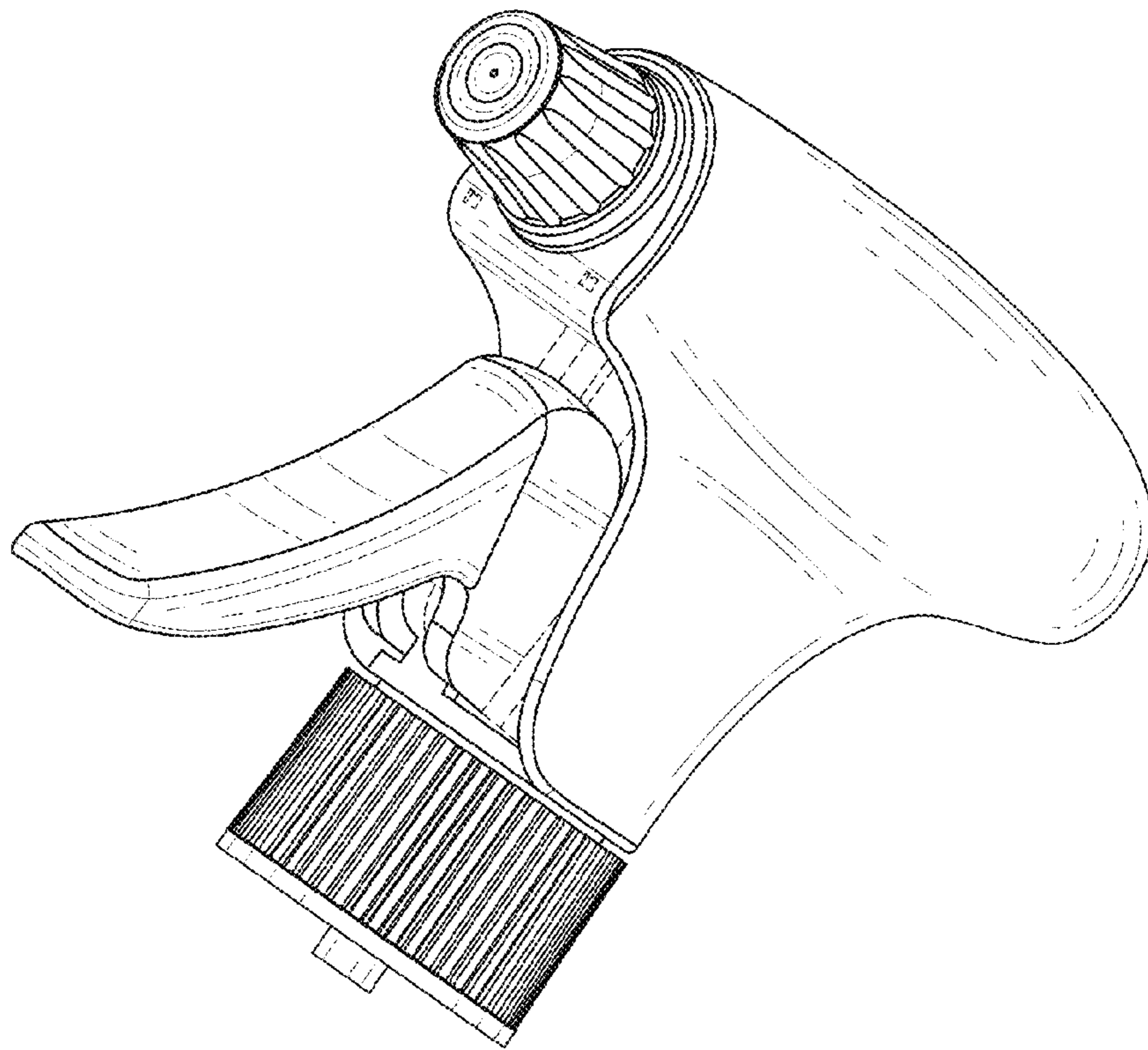


FIG. 8