

US00D866325S

(12) **United States Design Patent** (10) **Patent No.:** **US D866,325 S**
Tu (45) **Date of Patent:** **** Nov. 12, 2019**

(54) **MANUAL FLUID SPRAYER DEVICE**
(71) Applicant: **Zhejiang JM Industry Co., Ltd.**,
Yuyao, Zhejiang Province (CN)
(72) Inventor: **Xufeng Tu**, Yuyao (CN)
(73) Assignee: **Zhejiang JM Industry Co., Ltd.**,
Yuyao (CN)
(**) Term: **15 Years**
(21) Appl. No.: **29/654,577**
(22) Filed: **Jun. 26, 2018**
(51) **LOC (12) Cl.** **09-07**
(52) **U.S. Cl.**
USPC **D9/448**
(58) **Field of Classification Search**
USPC D9/428, 429, 432, 434, 435, 436, 439,
D9/440, 443, 444, 445, 447, 449-455,
D9/499, 500, 503, 504, 705, 448, 682,
D9/685; D7/317, 387, 391, 392, 392.1,
D7/393, 396.1, 396.2, 509-511, 538, 900;
D3/202, 203.2, 294, 302, 318; D28/91;
D23/226
CPC .. A61J 1/00; A61J 1/1412; B65D 1/00; B65D
1/02; B65D 1/10; B65D 1/46; B65D
2585/56; B65D 2585/545; B65D 41/00;
B65D 41/38; B65D 41/56; B65D 41/62;
B65D 47/00; B65D 47/06; B65D 47/08;
B65D 2543/00046; B65D 2543/00092;
B65D 2543/00296; B65D 5/46; B65D
2251/00
See application file for complete search history.

(56) **References Cited**
U.S. PATENT DOCUMENTS
D198,547 S * 6/1964 Vuilleminot D9/448
D239,372 S * 3/1976 Brooks et al. D9/448
D242,351 S * 11/1976 Tada D23/226

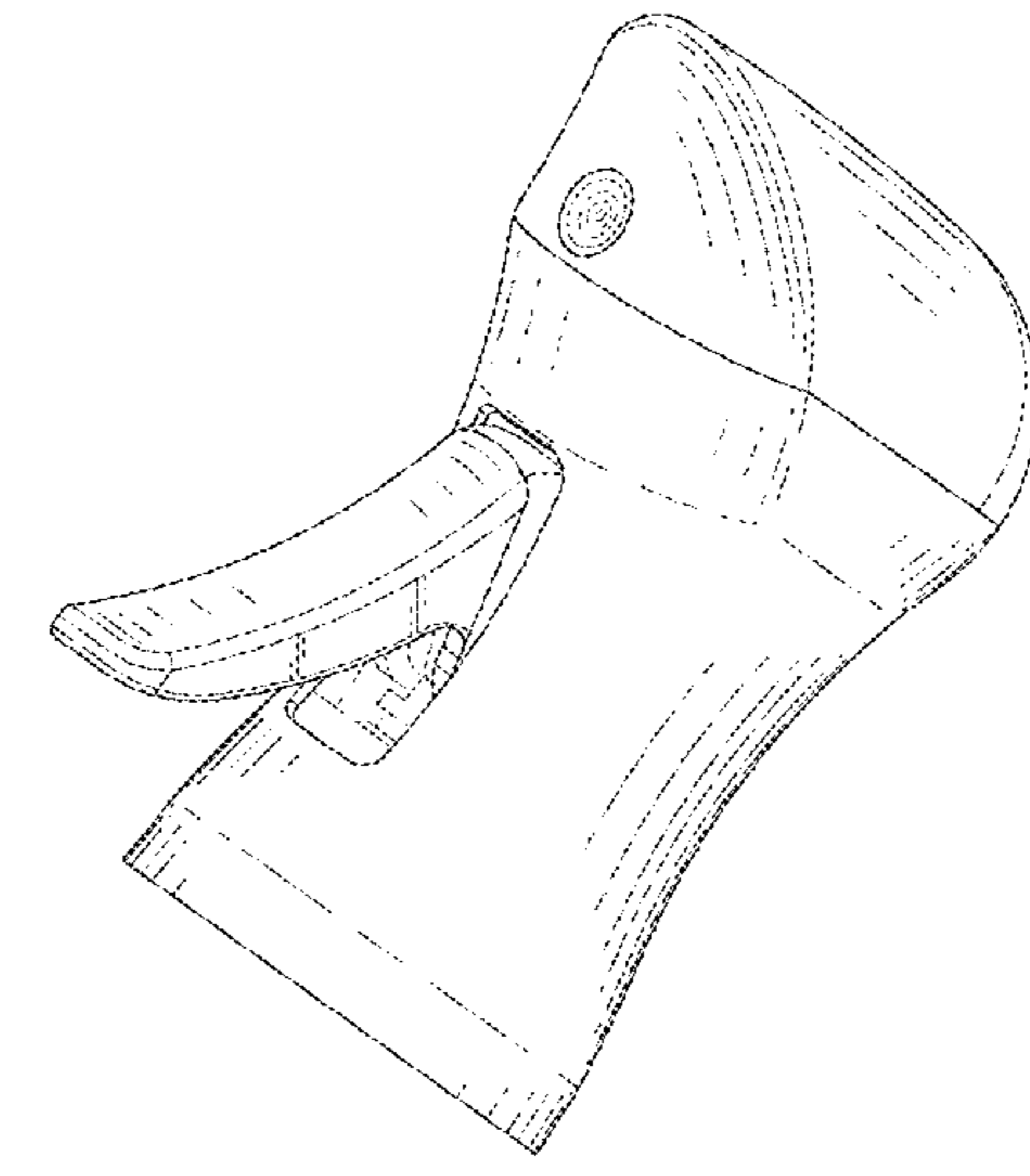
D254,899 S * 5/1980 Tada D9/448
D343,577 S * 1/1994 Proctor D9/448
D349,642 S * 8/1994 Abfier D9/685
D400,102 S * 10/1998 Tada D9/448
D435,792 S * 1/2001 Peloquin D9/448
D451,582 S * 12/2001 Kuo D23/226
D476,558 S * 7/2003 Cho D9/685
D489,970 S * 5/2004 Nelson D9/688
D507,486 S * 7/2005 Wang D9/448
D525,123 S * 7/2006 Walters B05B 11/3057
D9/448
D539,142 S * 3/2007 Butler D9/448
(Continued)

Primary Examiner — Michael A. Pratt
Assistant Examiner — Wendy L Arminio
(74) *Attorney, Agent, or Firm* — Haugen Law Firm PLLP

(57) **CLAIM**
The ornamental design for a manual fluid sprayer device, as shown and described.

DESCRIPTION
FIG. 1 is a rear upper perspective view of the manual fluid sprayer device of the present invention;
FIG. 2 is a front lower perspective view of the manual fluid sprayer device of the present invention;
FIG. 3 is a right side elevational view of the manual fluid sprayer device of the present invention;
FIG. 4 is a front elevational view of the manual fluid sprayer device of the present invention;
FIG. 5 is a left side elevational view of the manual fluid sprayer device of the present invention;
FIG. 6 is a rear elevational view of the manual fluid sprayer device of the present invention;
FIG. 7 is a top plan view of the manual fluid sprayer device of the present invention; and,
FIG. 8 is a bottom plan view of the manual fluid sprayer device of the present invention.
The portions of the manual fluid sprayer device shown in broken lines form no part of the claimed design.

1 Claim, 8 Drawing Sheets



(56)

References Cited

U.S. PATENT DOCUMENTS

D582,272	S	*	12/2008	Cichy	D9/448
D591,612	S	*	5/2009	Ames	D9/685
D674,695	S	*	1/2013	Thurin	D9/448
D691,488	S	*	10/2013	Broen	D9/682
D698,660	S	*	2/2014	Maas	D9/689
D731,321	S	*	6/2015	Farrell	D9/685
D761,650	S	*	7/2016	Hoeke	D9/448
D830,194	S	*	10/2018	Maas	D9/685
2004/0222246	A1	*	11/2004	Bates	B05B 11/3052 222/402.15
2012/0048959	A1	*	3/2012	Maas	B05B 9/0822 239/1
2013/0140333	A1	*	6/2013	Sell	H01F 17/04 222/402.13
2013/0153607	A1	*	6/2013	Sell	B65D 83/206 222/402.13

* cited by examiner

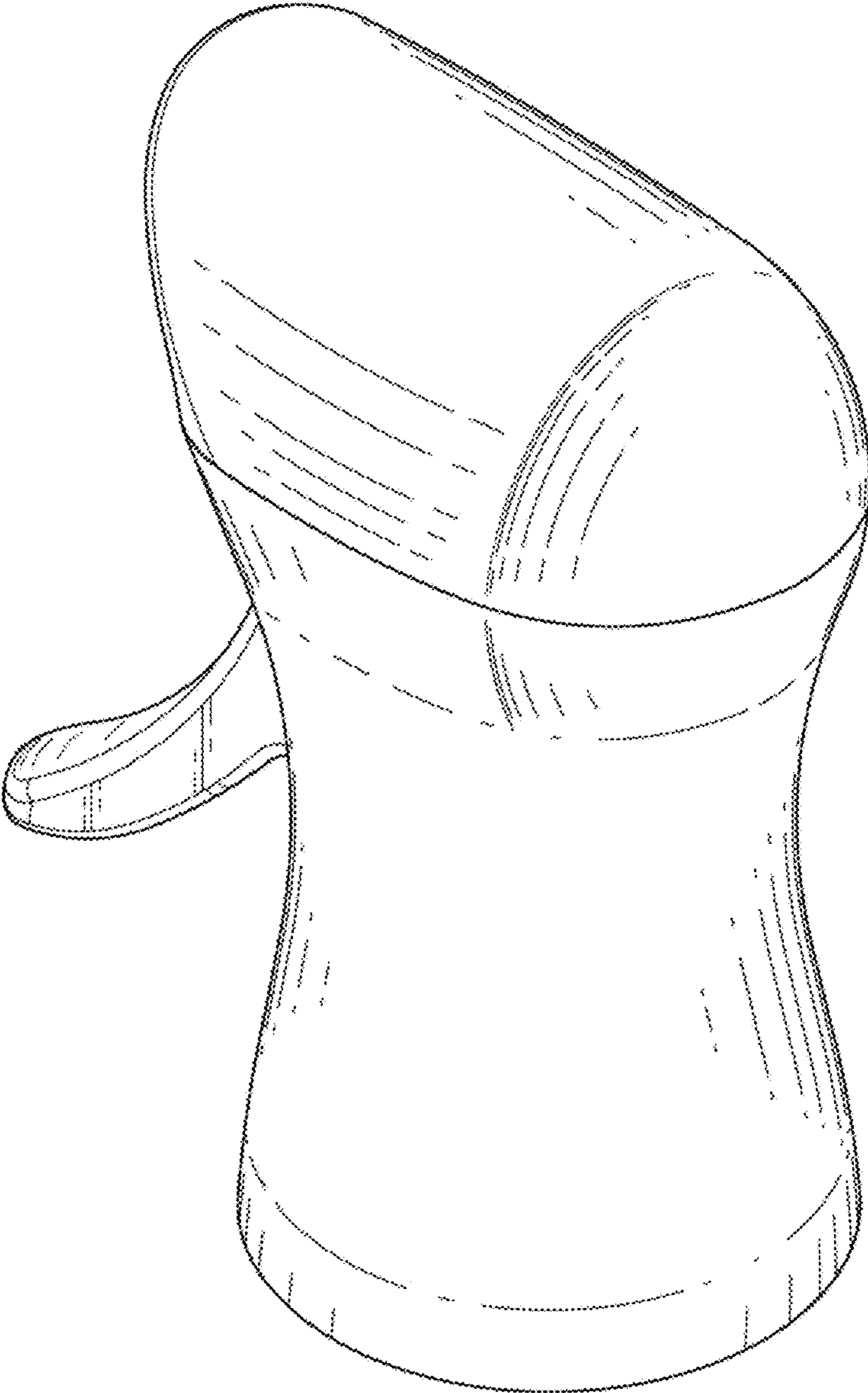


FIG. 1

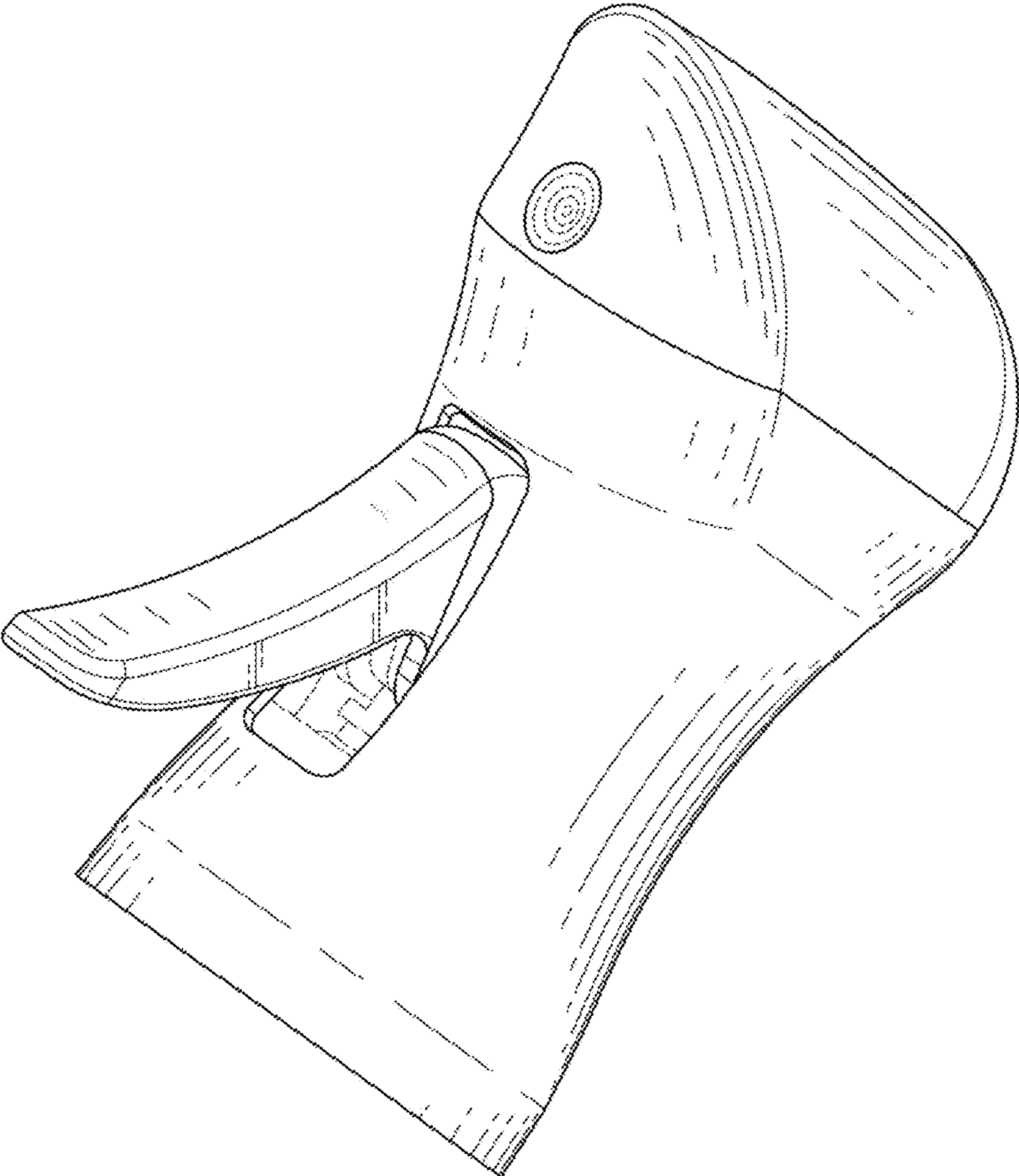


FIG. 2

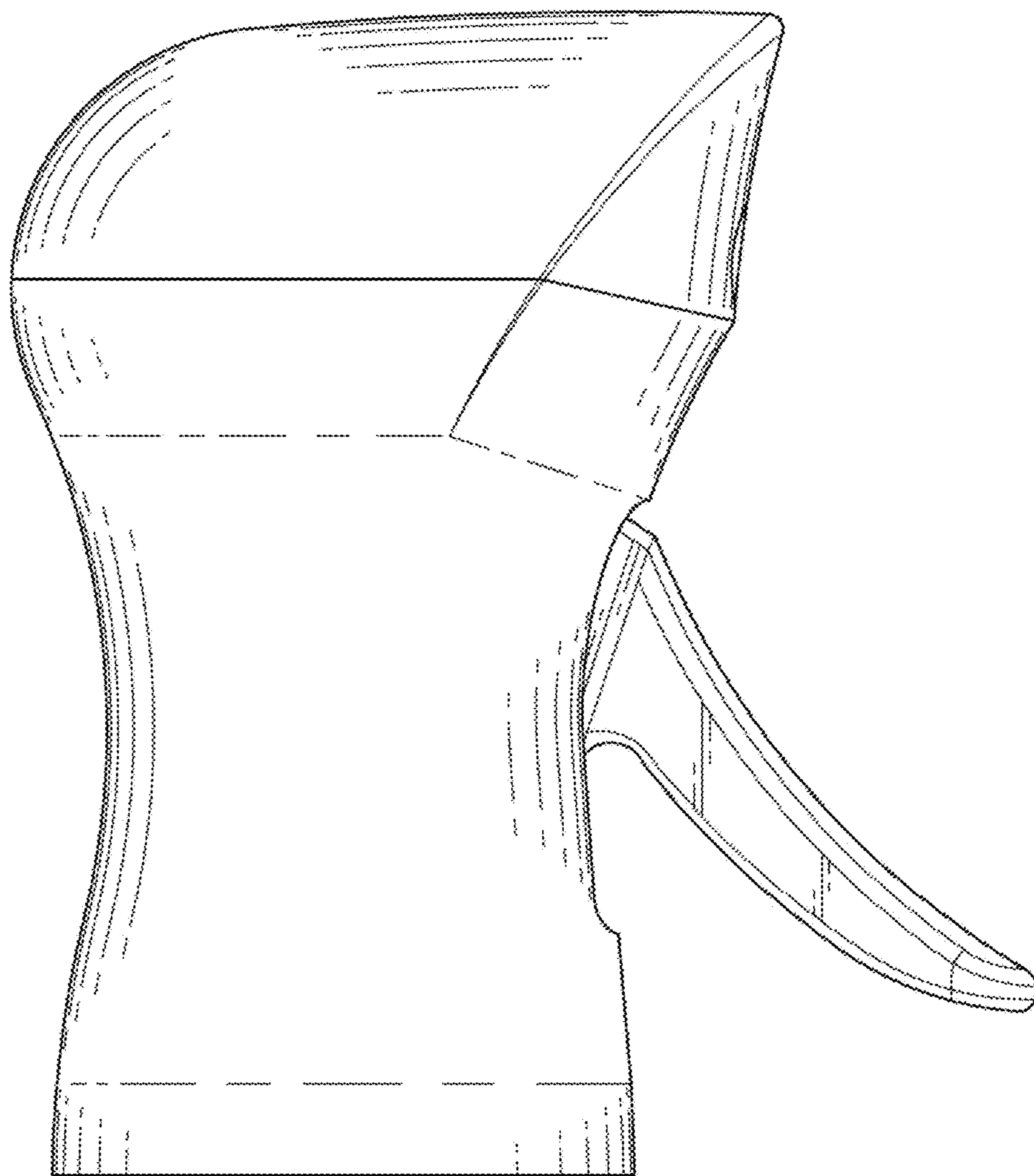


FIG. 3

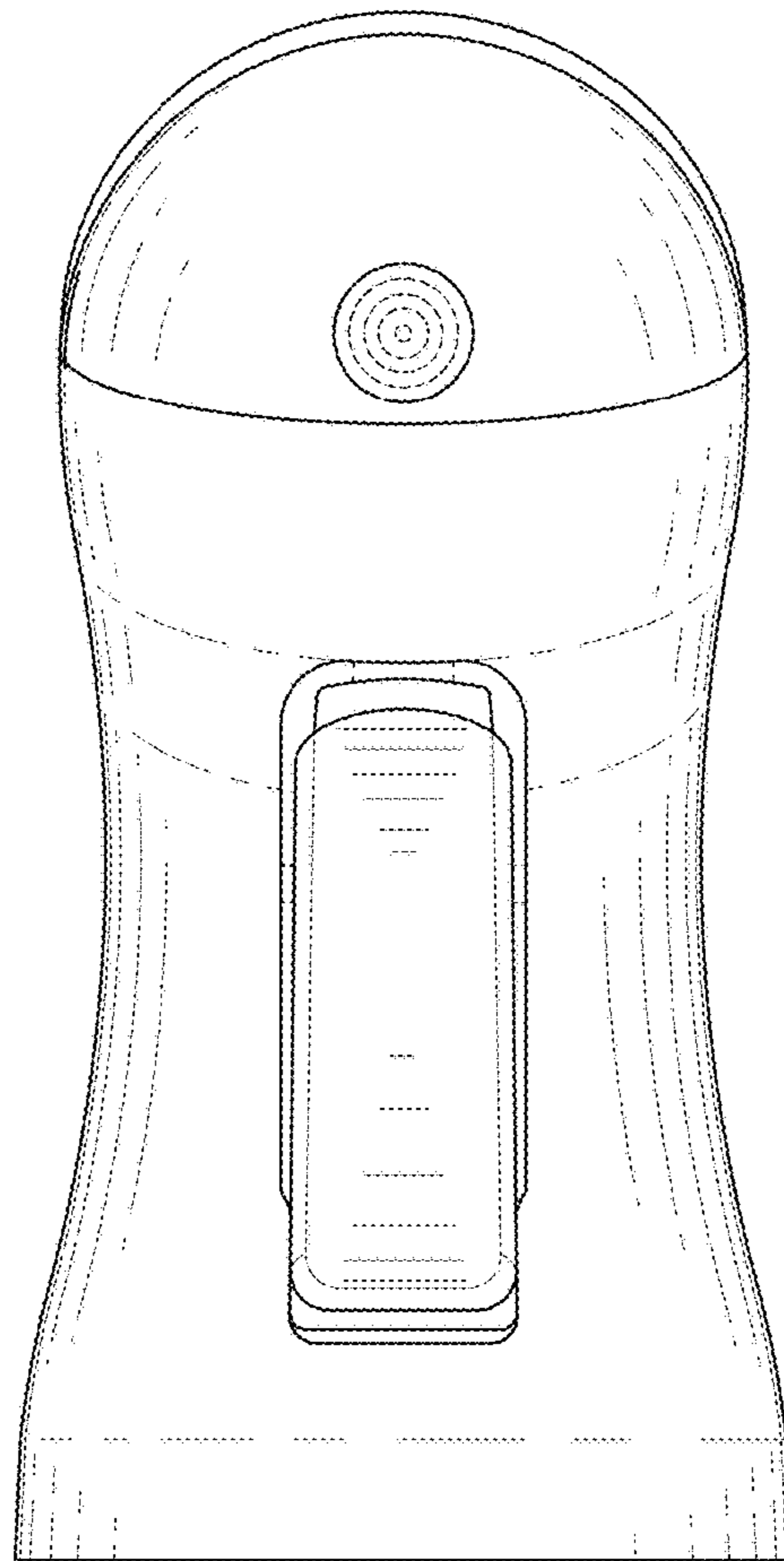


FIG. 4

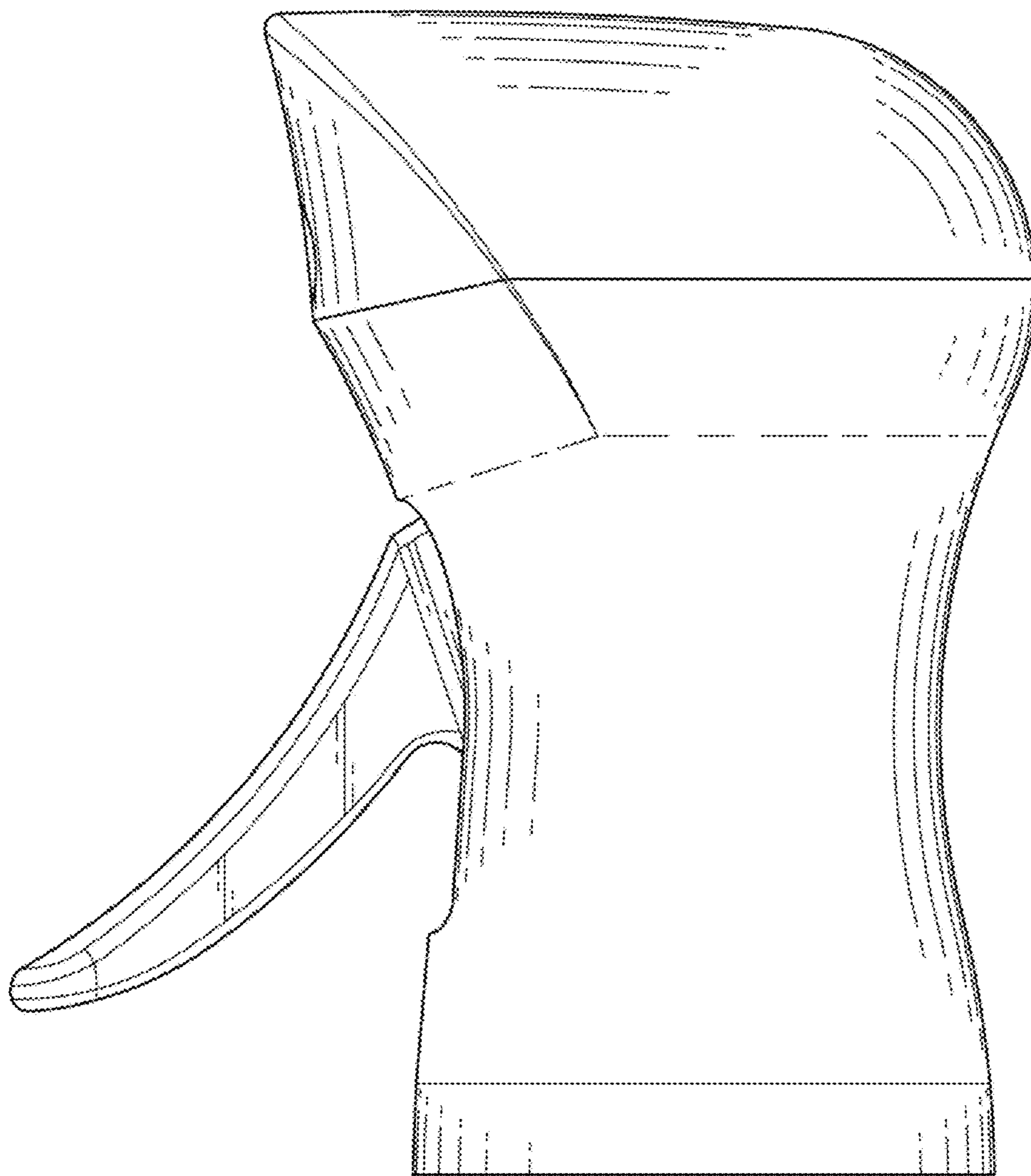


FIG. 5

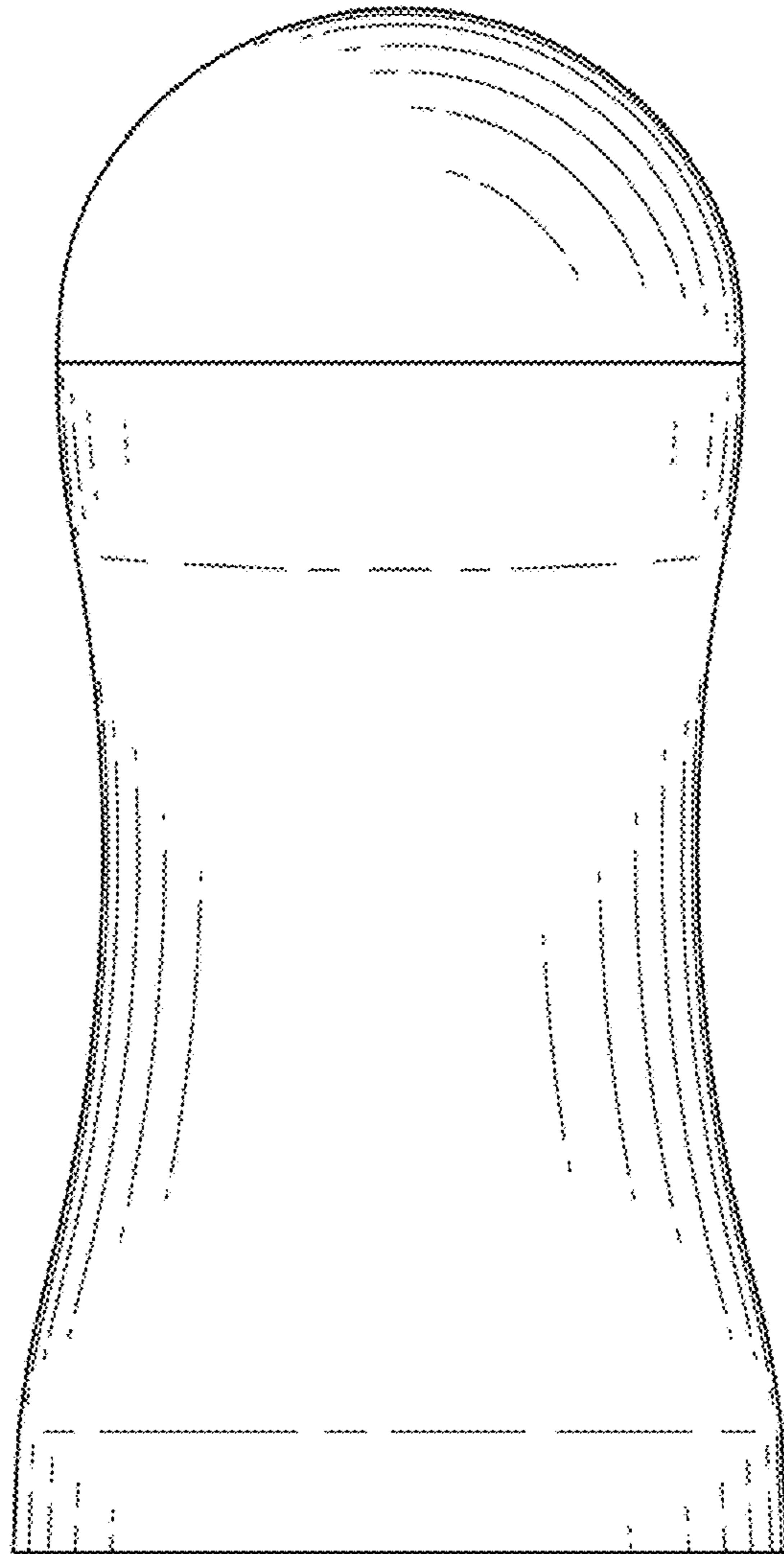


FIG. 6

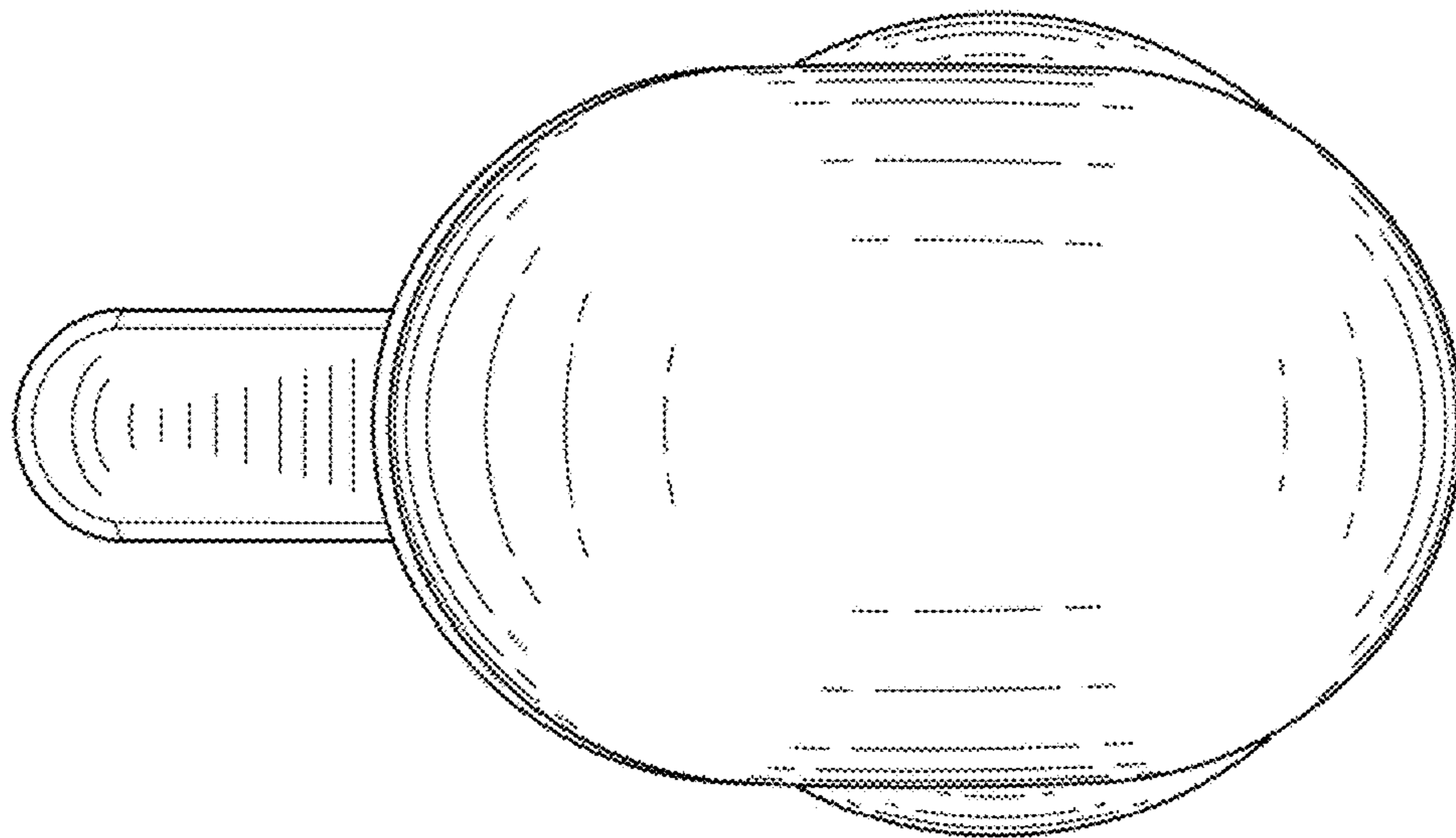


FIG. 7

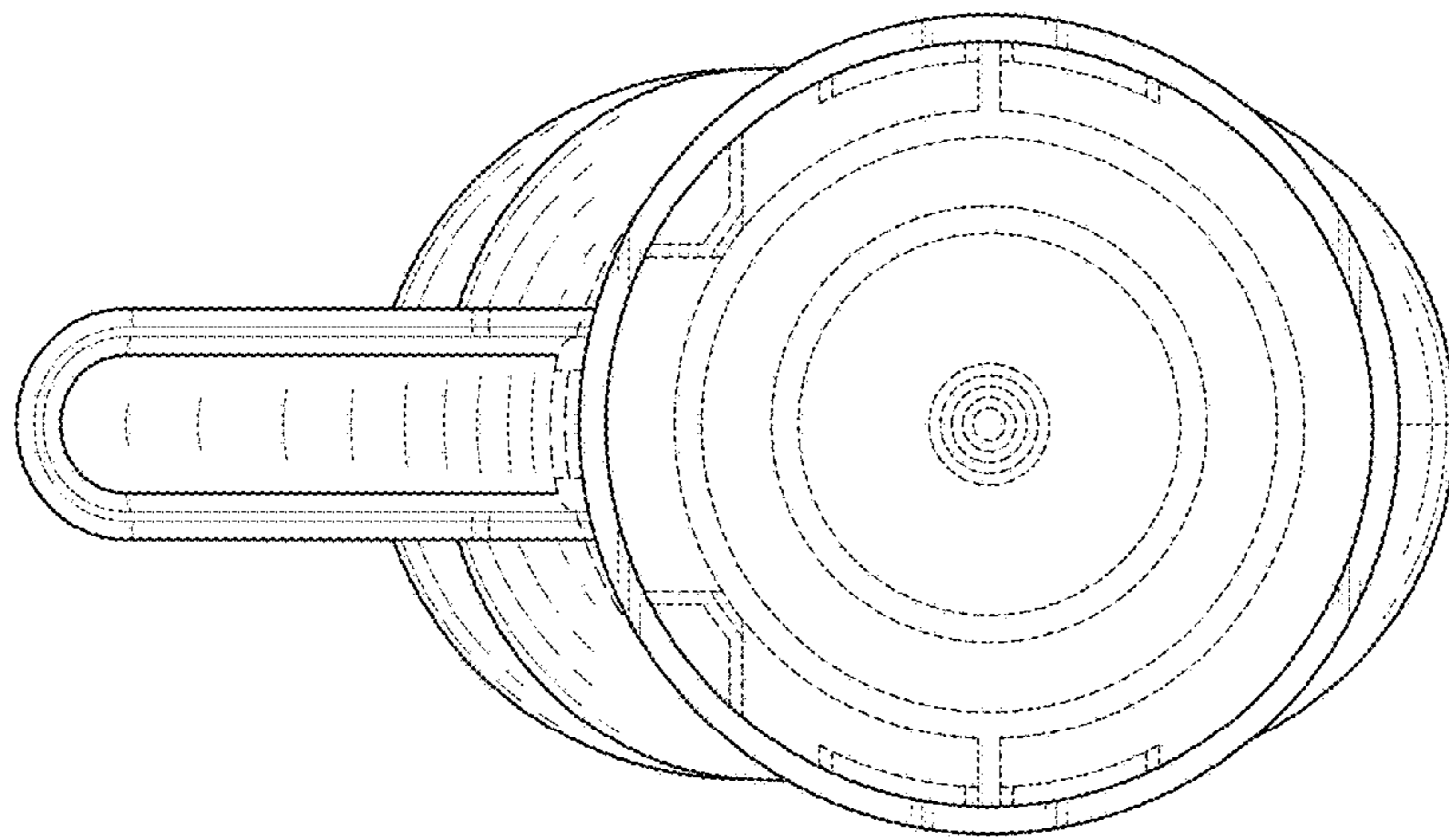


FIG. 8