



US00D866323S

(12) **United States Design Patent**
Miksovsky et al.

(10) **Patent No.:** **US D866,323 S**

(45) **Date of Patent:** **** Nov. 12, 2019**

(54) **LOOP LOCK COLLAR FOR A DISPENSING CONTAINER**

Assistant Examiner — Wendy L Arminio

(74) *Attorney, Agent, or Firm* — Beyer Law Group LLP

(71) Applicant: **humangear, inc.**, San Francisco, CA (US)

(57) **CLAIM**

The ornamental design for a loop lock collar for a dispensing container, as shown and described.

(72) Inventors: **Christopher A. Miksovsky**, San Francisco, CA (US); **Thomas W. Zipprian**, San Francisco, CA (US); **Scott D. Cook**, Oakland, CA (US); **Clint N. Slone**, San Francisco, CA (US)

DESCRIPTION

(73) Assignee: **humangear, Inc.**, San Francisco, CA (US)

FIG. 1 is a front perspective view of a loop lock collar for a dispensing container in accordance with the present design with the loop lock shown in a stored position.

FIG. 2 is a front elevational view of thereof.

FIG. 3 is a back elevational view thereof.

FIG. 4 is a left side elevational view thereof.

FIG. 5 is a right side elevational view thereof.

FIG. 6 is a top view thereof.

FIG. 7 is a bottom view thereof.

FIG. 8 is a perspective view of the loop lock collar for a dispensing container shown in a position of use installed on an unclaimed dispensing container drawn in broken lines with the loop lock shown in the stored position.

FIG. 9 is a perspective view of the loop lock collar for a dispensing container shown in a position of use installed on the unclaimed dispensing container drawn in broken lines with the loop lock deployed in an open position.

FIG. 10 is a perspective view of the loop lock collar for a dispensing container shown in a position of use installed on the unclaimed dispensing container drawn in broken lines with the loop lock deployed in a cap locking position; and, FIG. 11 is a front elevational view of the loop lock collar for a dispensing container shown in a position of use installed on the unclaimed dispensing container drawn in broken lines with the loop lock deployed in the cap locking position.

The dot-dash-dot broken lines depict the boundaries of the claim and form no part thereof. The dash-dash broken lines showing a dispensing container illustrate environment and form no part of the claimed design. All other broken lines depict portions of the loop lock collar for a dispensing container that form no part of the claimed design.

(**) Term: **15 Years**

(21) Appl. No.: **29/599,446**

(22) Filed: **Apr. 3, 2017**

(51) **LOC (12) Cl.** **09-07**

(52) **U.S. Cl.**
USPC **D9/443**

(58) **Field of Classification Search**
USPC D9/428, 429, 432, 434, 435, 436, 439, D9/440, 443, 444, 445, 447, 449-455,
(Continued)

(56) **References Cited**

U.S. PATENT DOCUMENTS

D184,315 S * 1/1959 Jennings 215/396
D187,500 S * 3/1960 Jennings 215/396
(Continued)

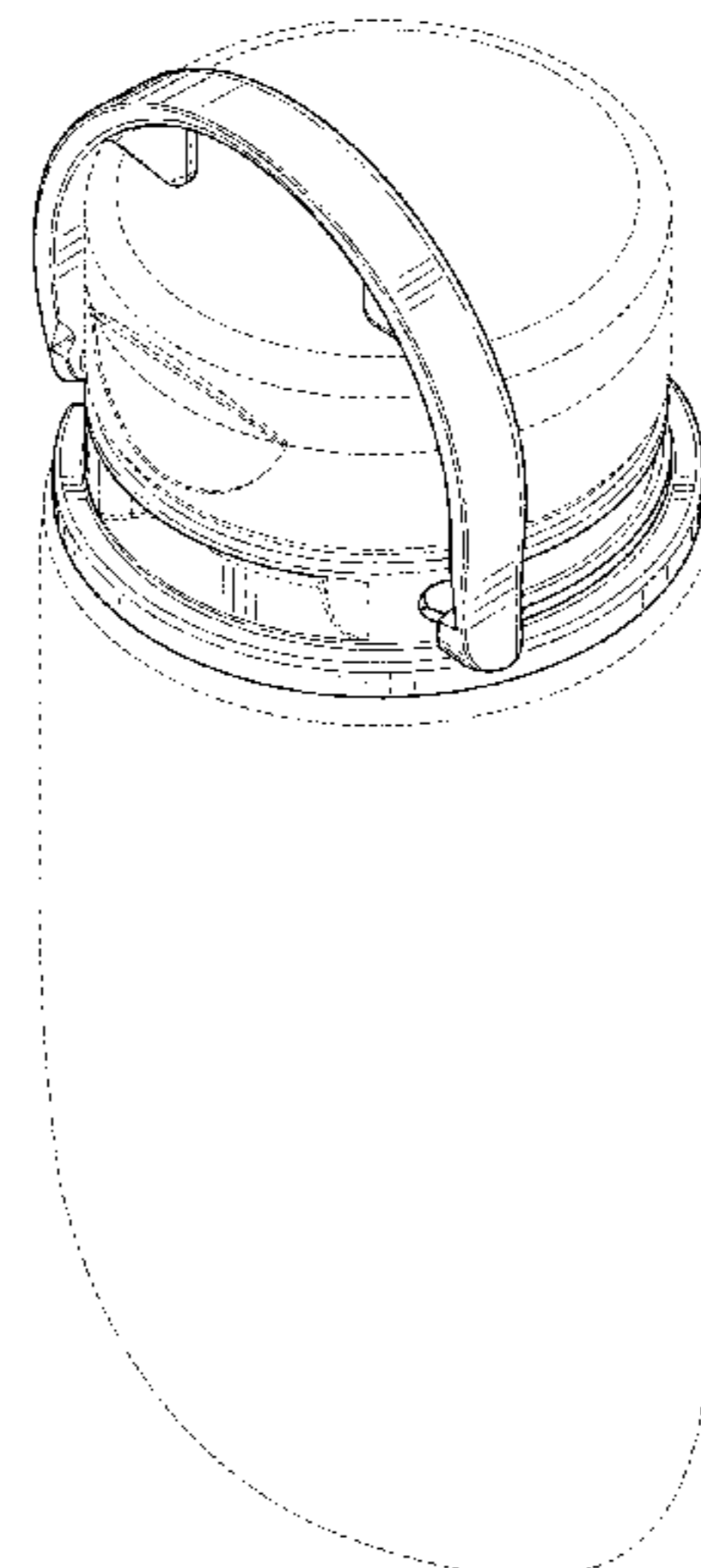
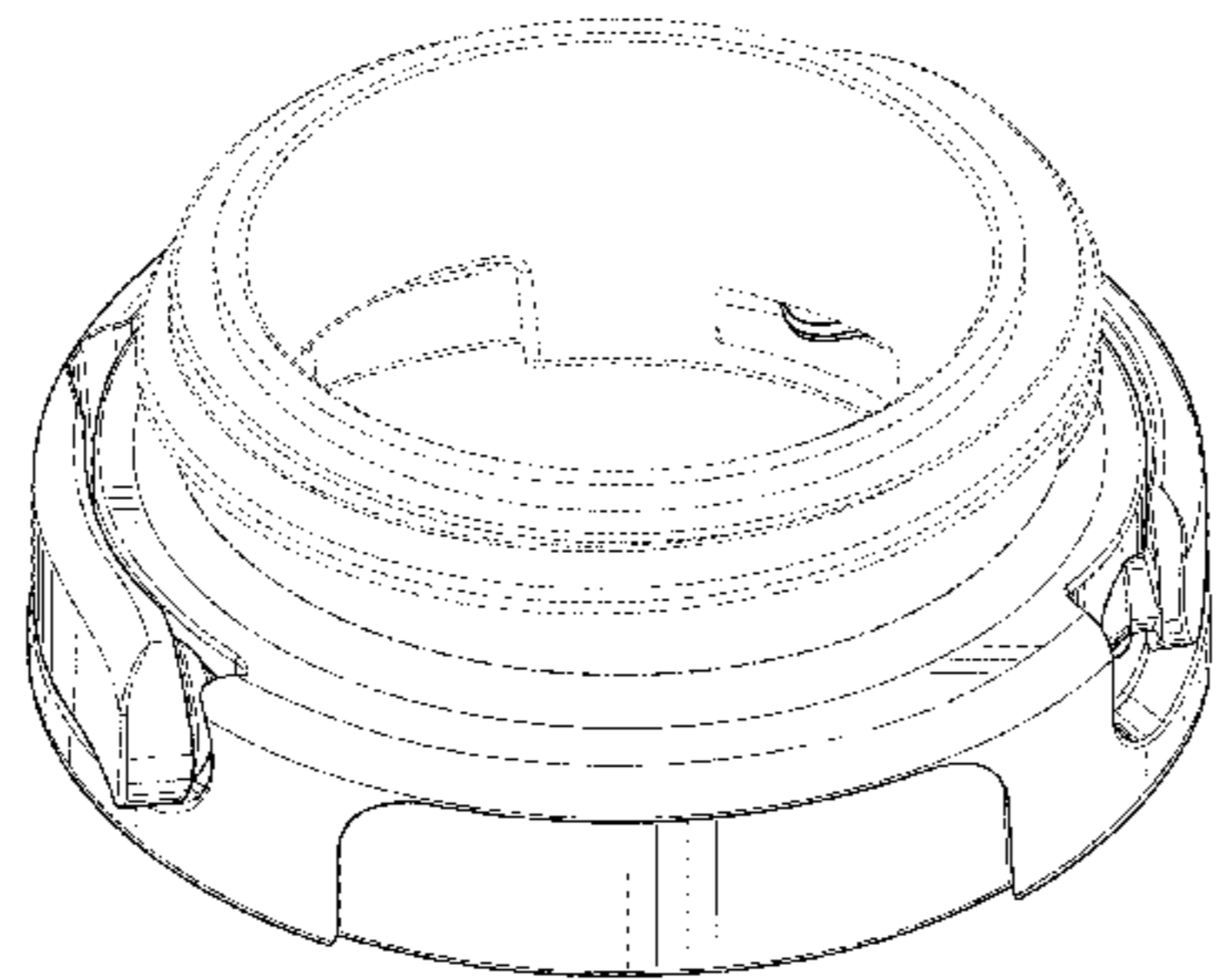
OTHER PUBLICATIONS

Nalgene, "On the Fly", <http://www.nalgene.com/bottles/on-the-fly/>, downloaded from the internet on Jul. 18, 2017.

(Continued)

Primary Examiner — Michael A. Pratt

1 Claim, 11 Drawing Sheets



(58) **Field of Classification Search**

USPC D9/499, 500, 503, 504, 705; D7/317,
 D7/387, 391, 392, 392.1, 393, 396.1,
 D7/396.2, 509–511, 538, 900; D3/202,
 D3/203.2, 294, 302, 318; D28/91
 CPC .. A61J 1/00; A61J 1/1412; B65D 1/00; B65D
 1/02; B65D 1/10; B65D 1/46; B65D
 2585/56; B65D 2585/545; B65D 41/00;
 B65D 41/38; B65D 41/56; B65D 41/62;
 B65D 47/00; B65D 47/06; B65D 47/08;
 B65D 2543/00046; B65D 2543/00092;
 B65D 2543/00296; B65D 5/46; B65D
 2251/00

See application file for complete search history.

6,394,517 B1 * 5/2002 Borg A45F 5/10
 215/397
 D667,299 S * 9/2012 Dom D9/434
 D690,987 S * 10/2013 Gallen D7/392.1
 D704,551 S * 5/2014 Wycoff A47J 45/077
 D9/434
 D720,218 S * 12/2014 Hutson D9/443
 D746,155 S * 12/2015 Borg D9/434
 9,499,303 B2 * 11/2016 Glaser B65D 23/104
 D806,468 S * 1/2018 Goodwin D7/392.1
 D809,384 S * 2/2018 Best D9/443
 D831,426 S * 10/2018 Best D7/511
 D843,213 S * 3/2019 Wettlaufer D9/443
 2013/0008915 A1 * 1/2013 Dorn A45F 5/102
 220/755
 2018/0282026 A1 * 10/2018 Miksovsky B65D 47/08

(56)

References Cited

U.S. PATENT DOCUMENTS

3,311,252 A * 3/1967 Swartwood B65D 23/108
 215/397
 D214,239 S * 5/1969 Kemp D9/443
 D288,667 S * 3/1987 Miner D9/440
 D332,379 S * 1/1993 Murphy D7/391
 D431,413 S * 10/2000 Schaper D7/393

OTHER PUBLICATIONS

Hydroflask, “Hydration”, <https://www.hydroflask.com/hydration>, down-
 loaded from the internet on Jul. 18, 2017.

Bormioli Rocco, “Giara Clear Glass Bottle with Stopper”, [https://
 www.amazon.com/Bormioli-Rocco-Giara-Bottle-Stopper/dp/
 B003QZPY6Q](https://www.amazon.com/Bormioli-Rocco-Giara-Bottle-Stopper/dp/B003QZPY6Q), downloaded from the internet on Jul. 18, 2017.

* cited by examiner

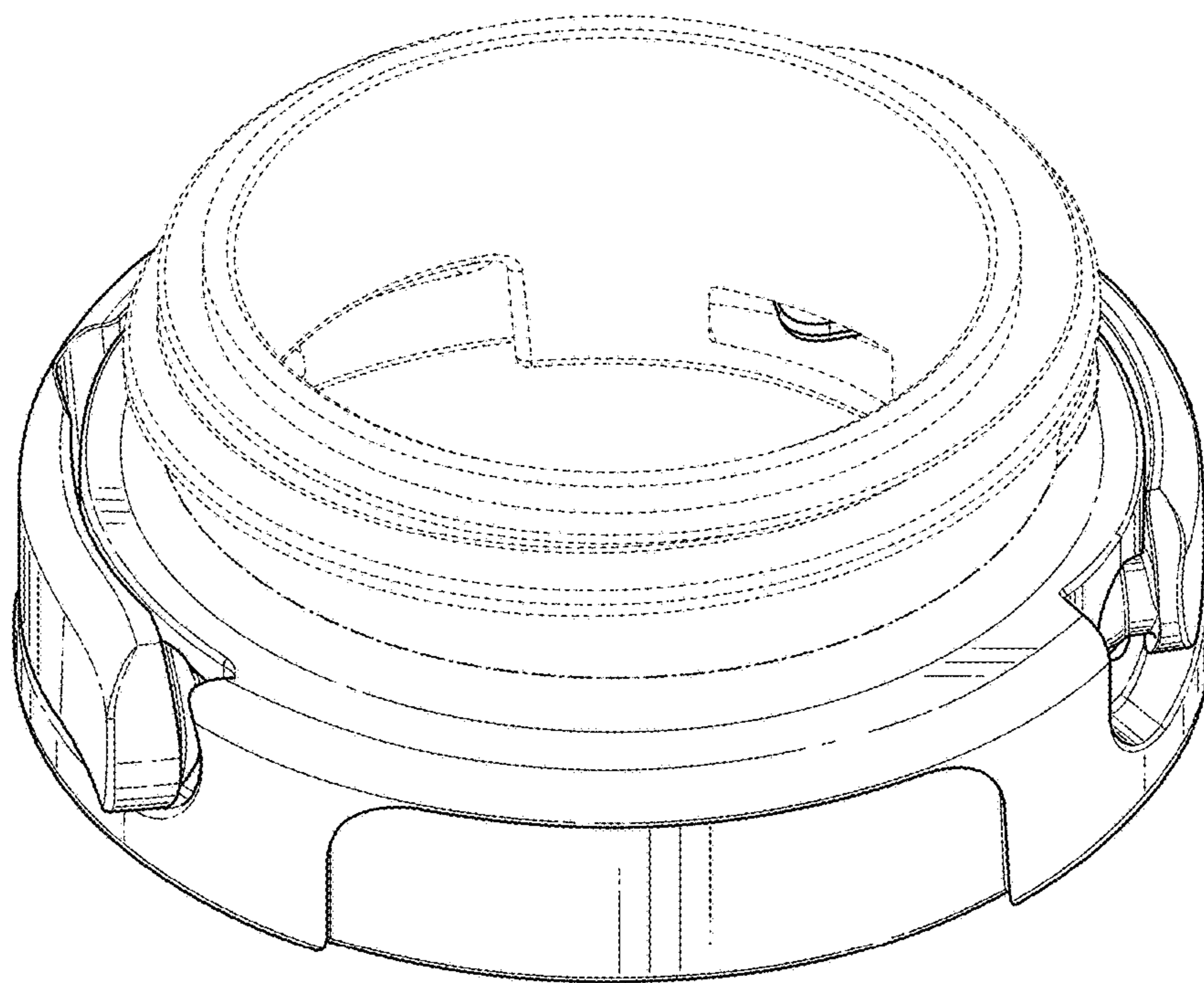


FIG. 1

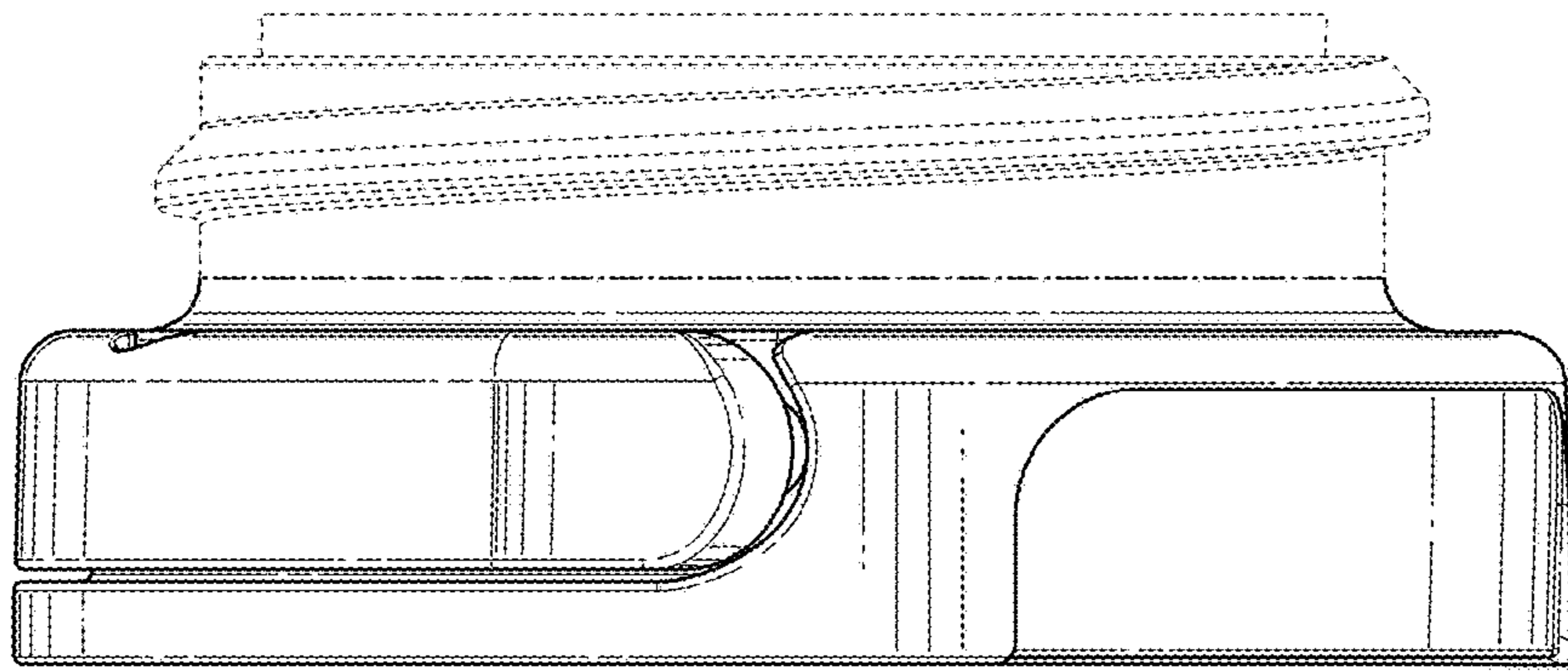


FIG. 2

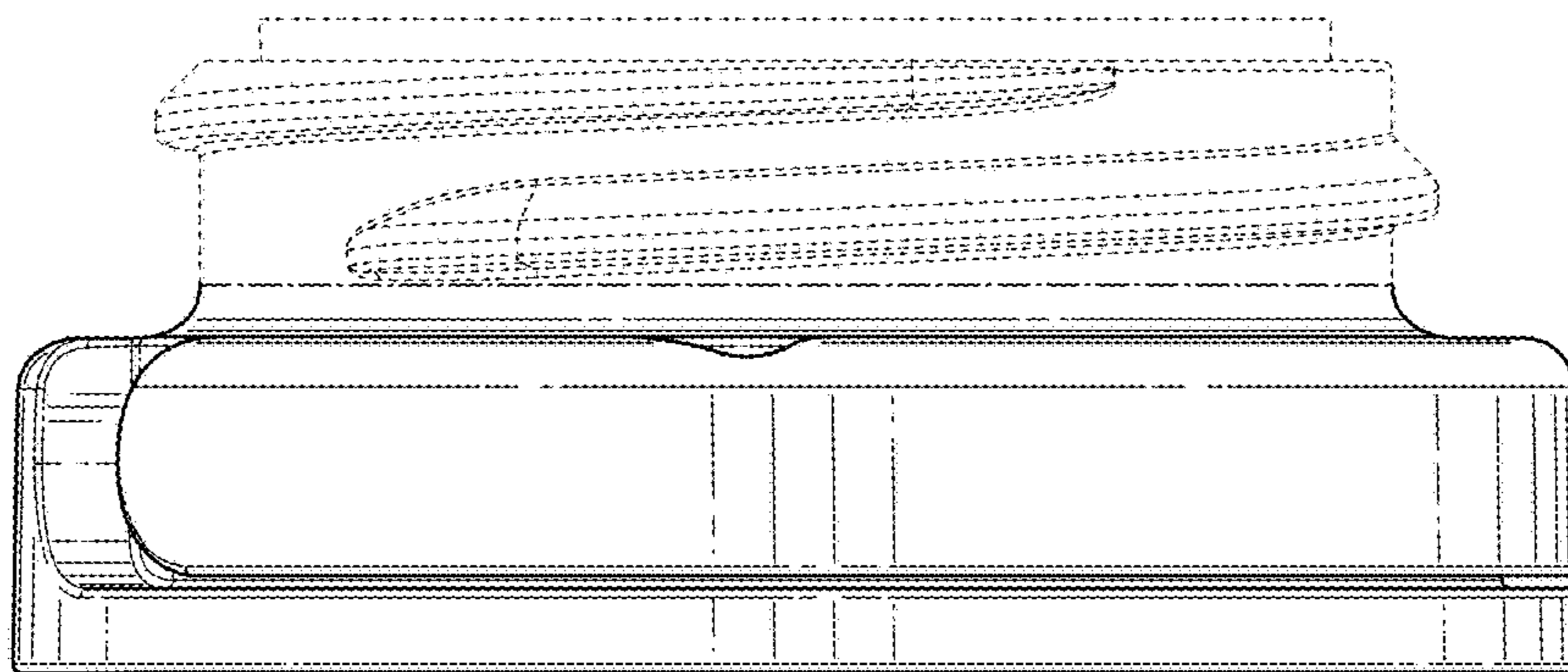


FIG. 3

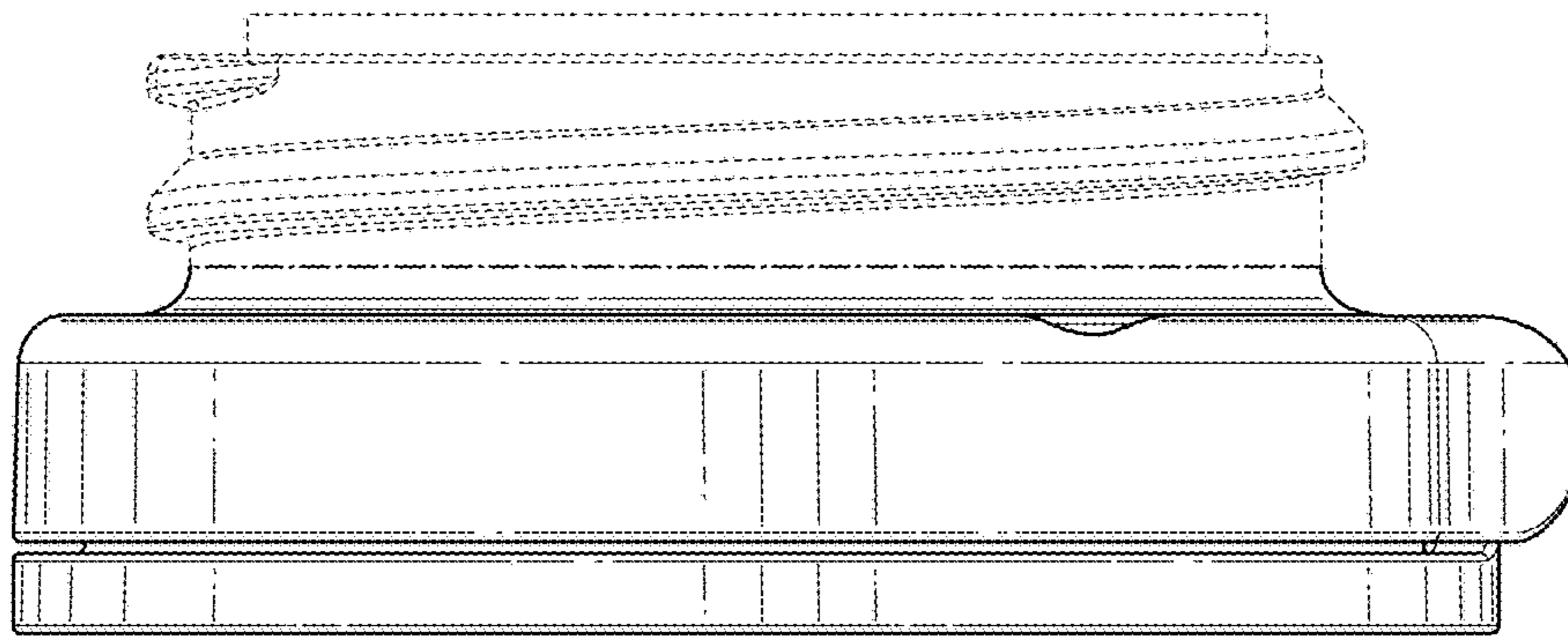


FIG. 4

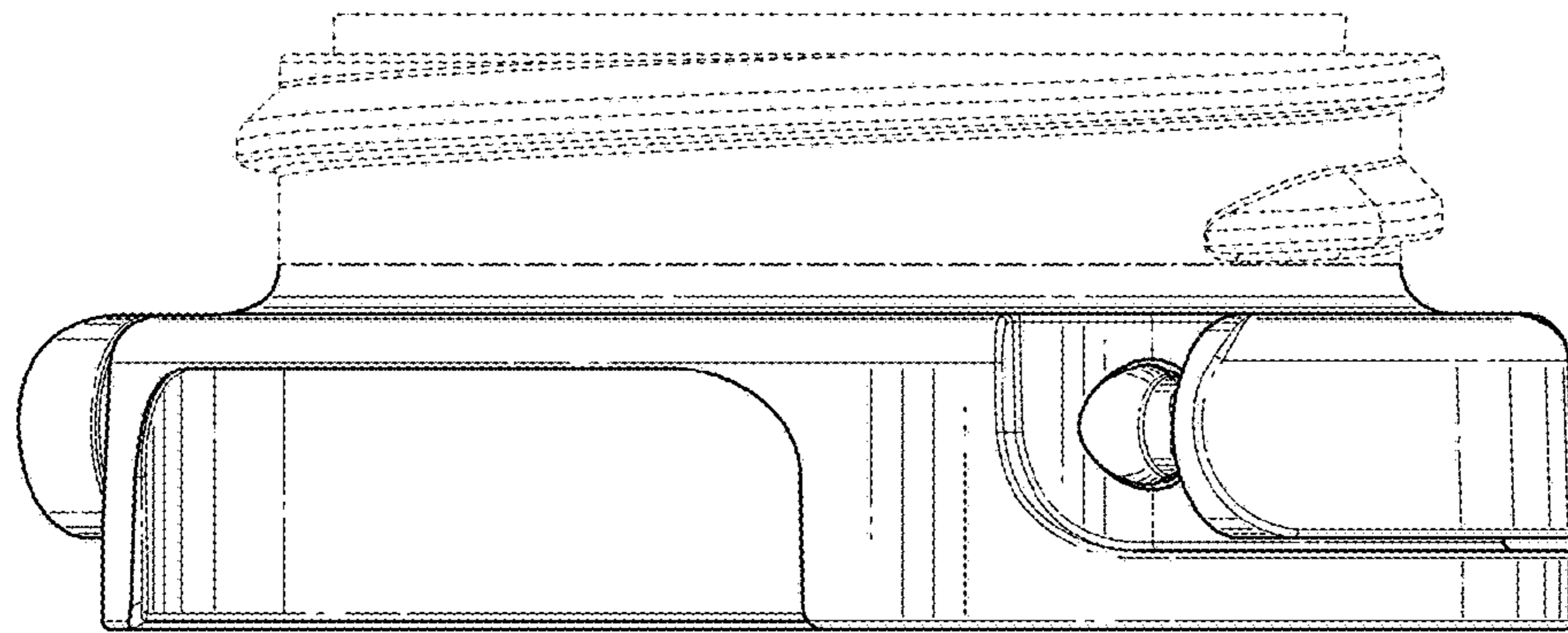


FIG. 5

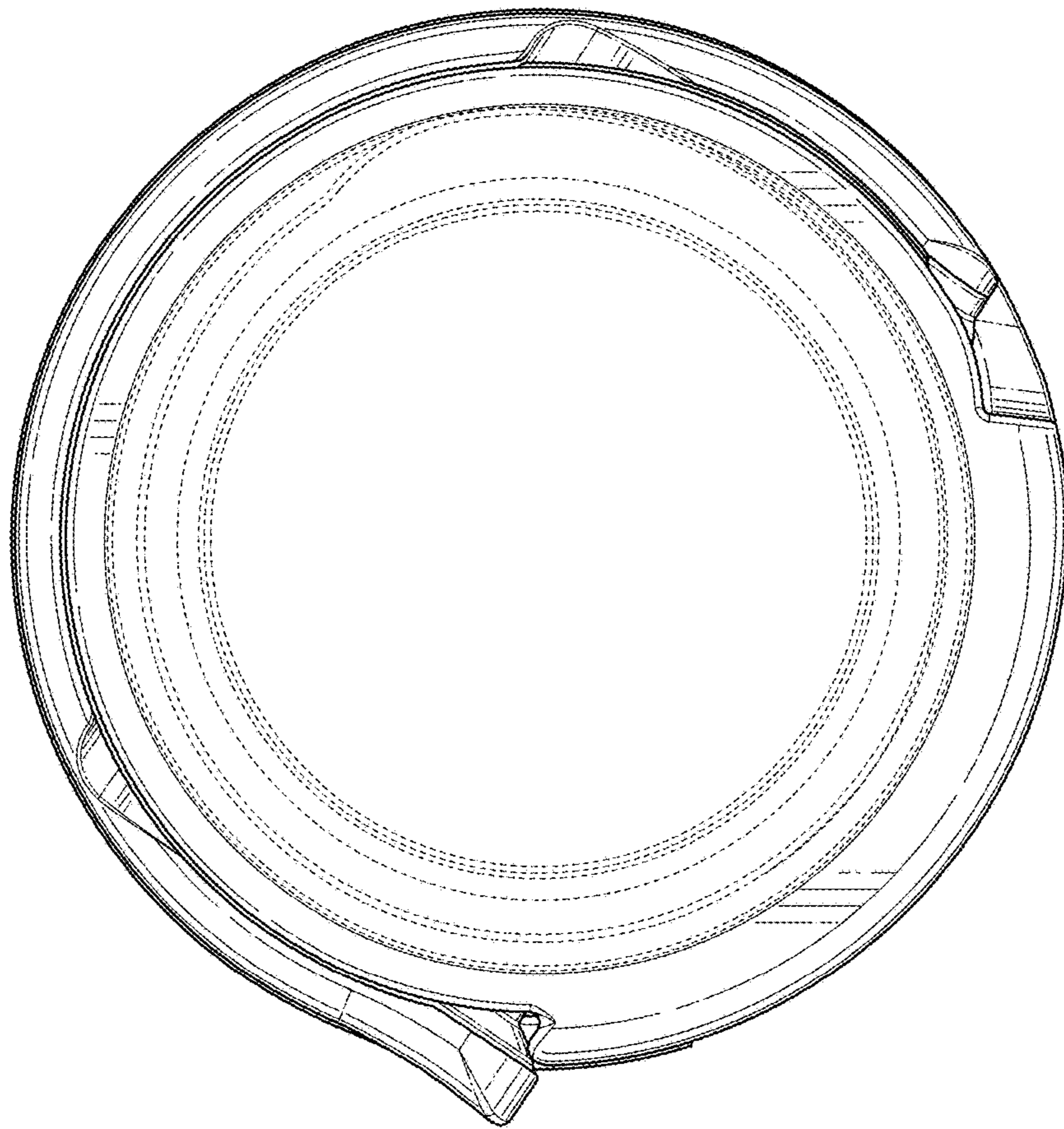


FIG. 6

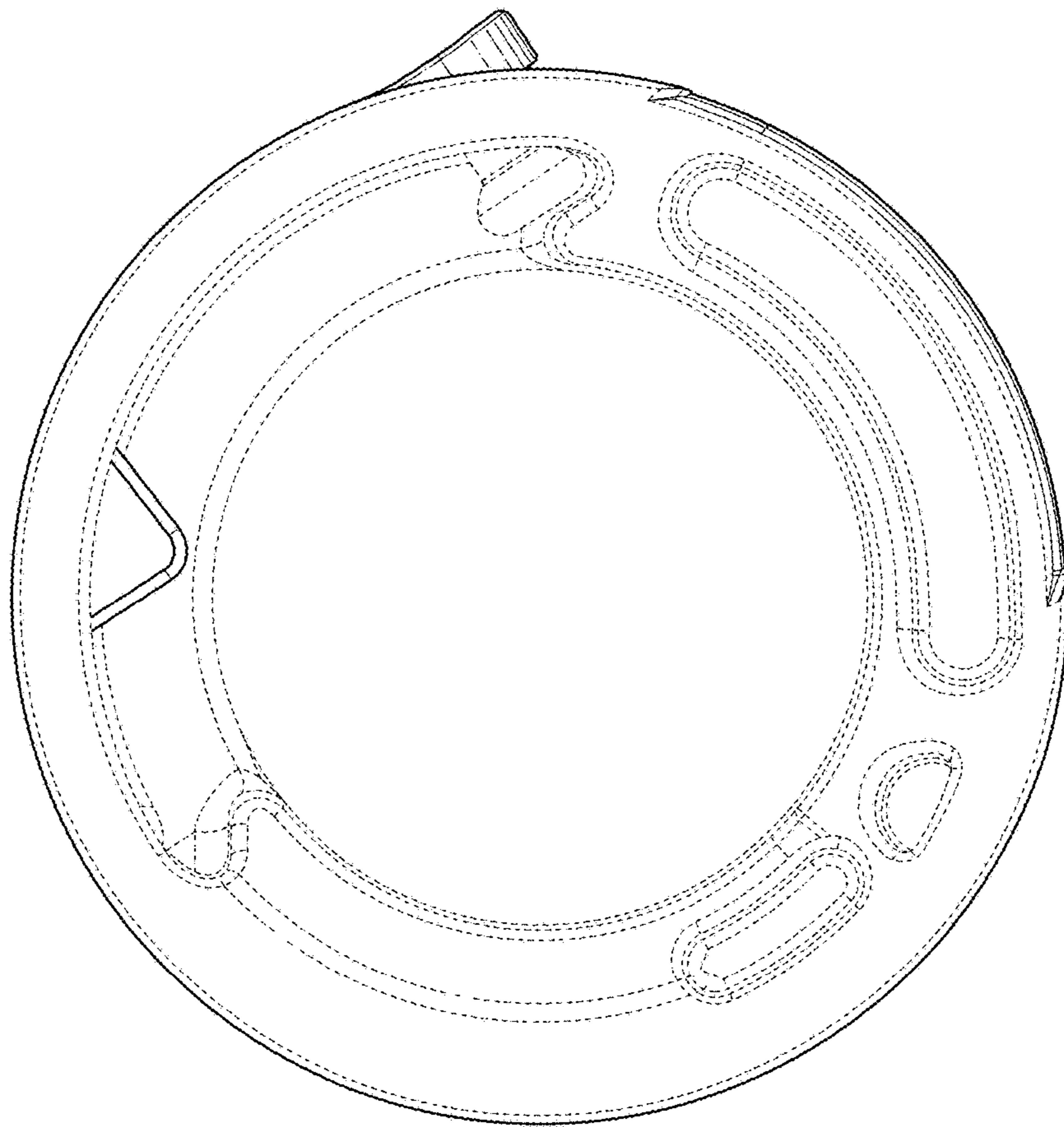


FIG. 7

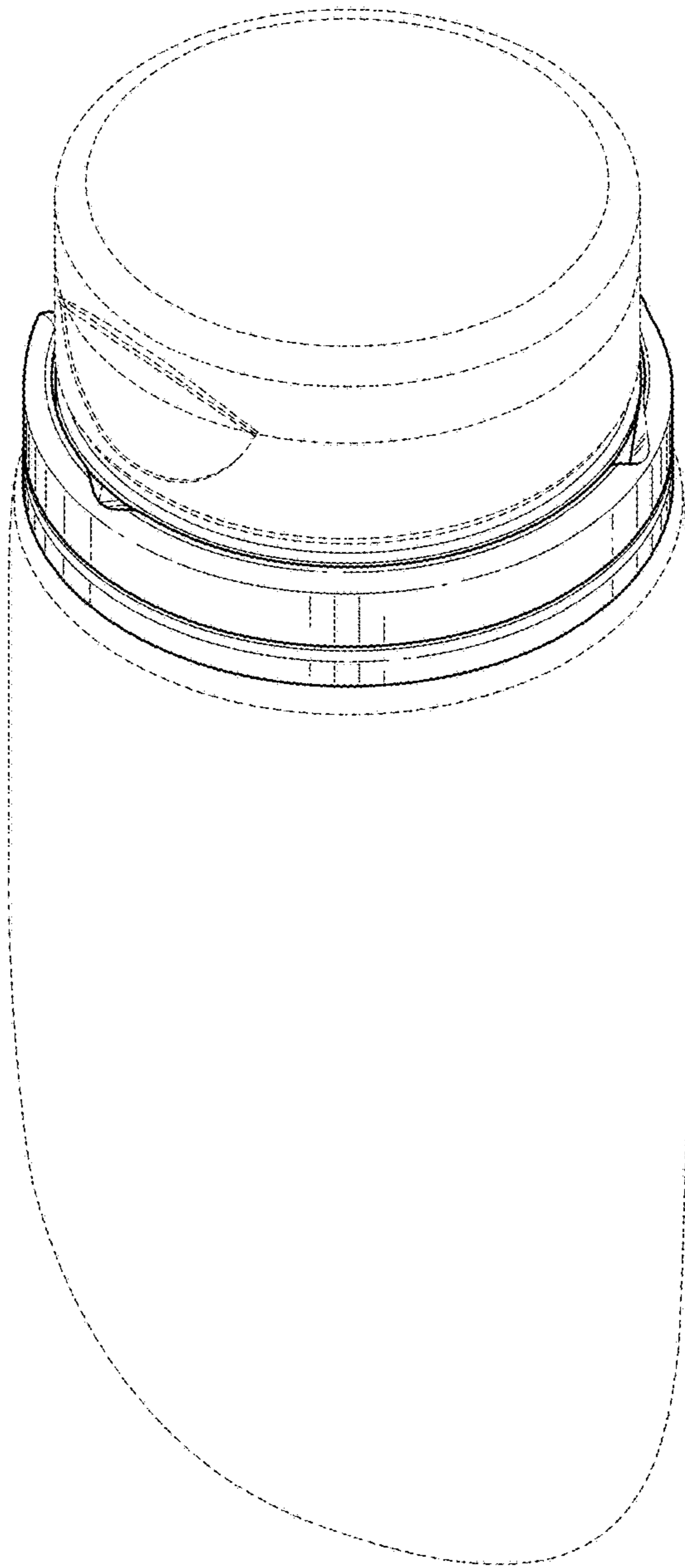


FIG. 8

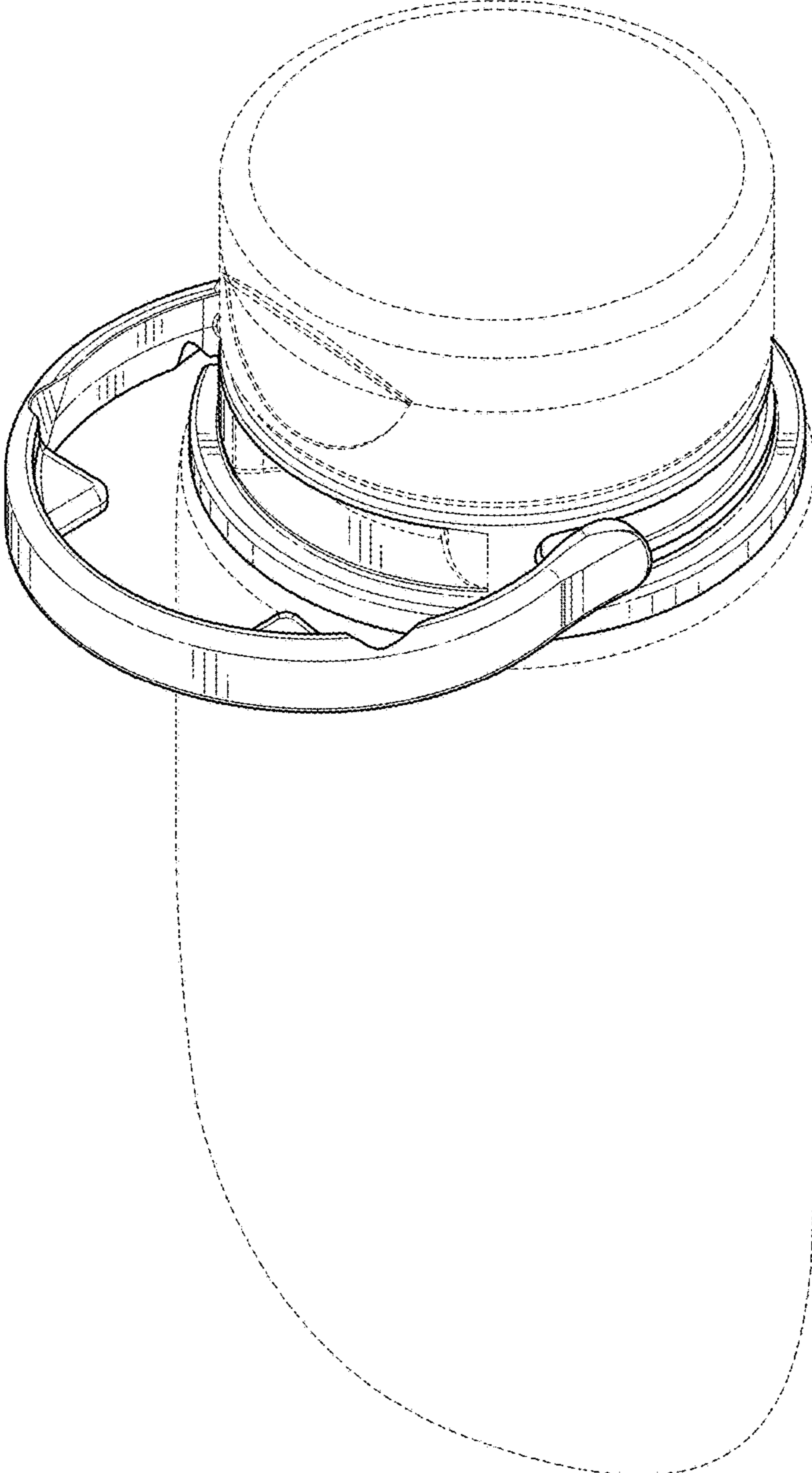


FIG. 9

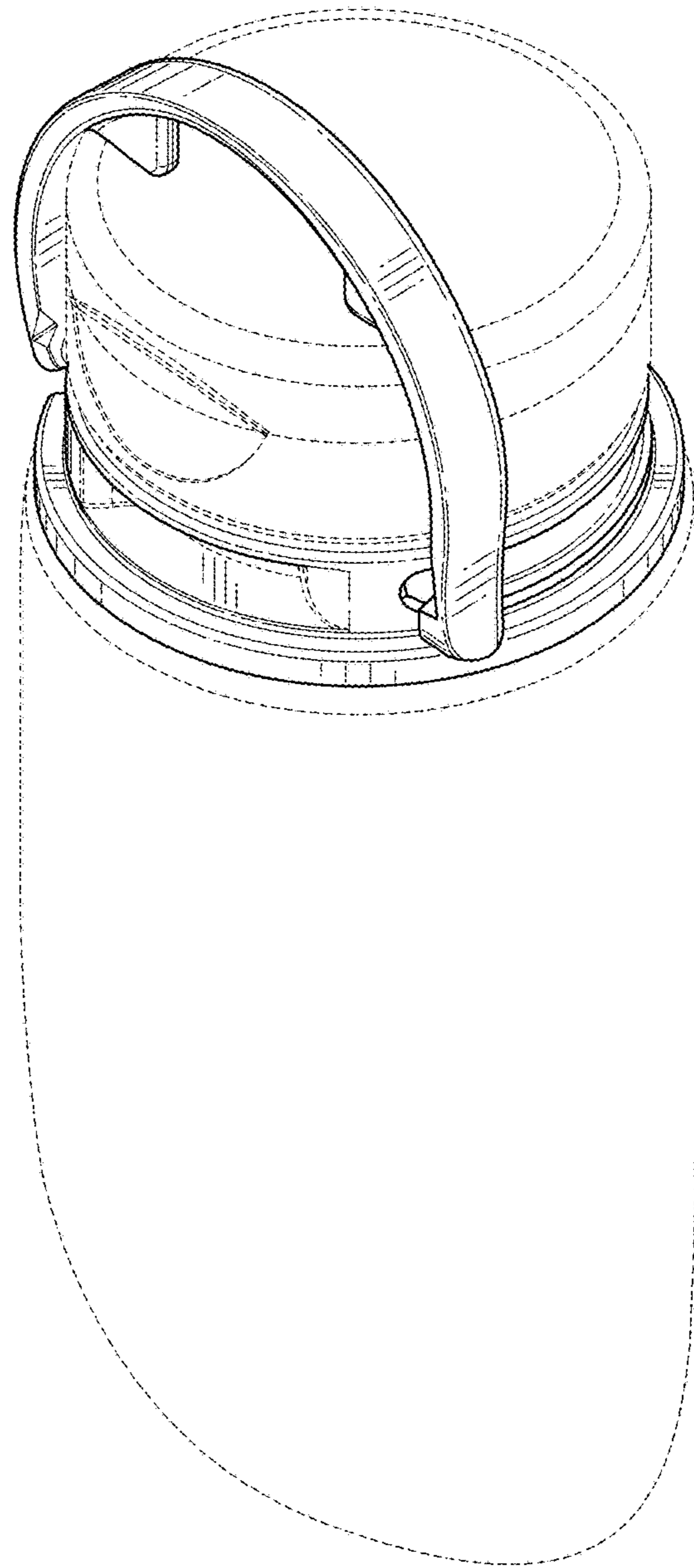


FIG. 10

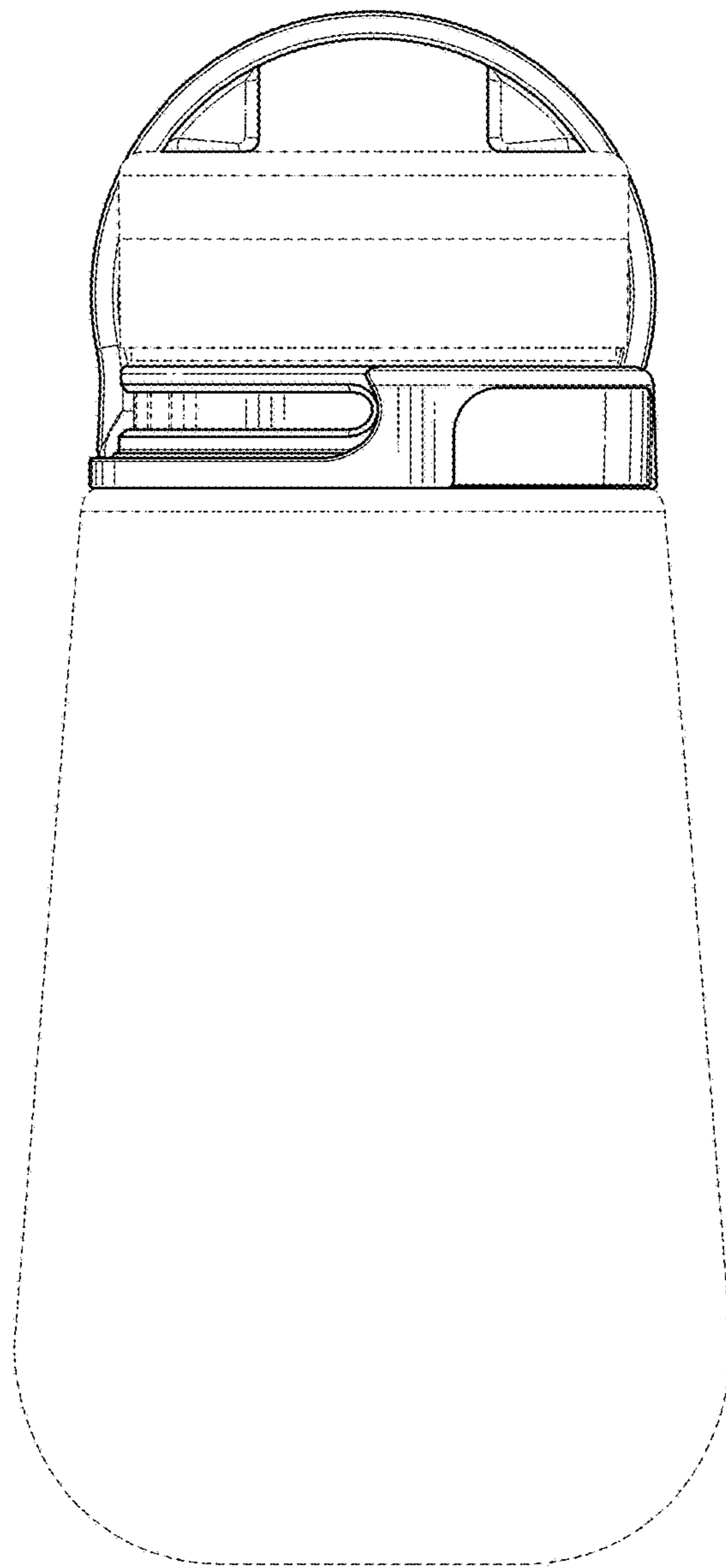


FIG. 11