



US00D866318S

(12) **United States Design Patent**  
**Gallimore**

(10) **Patent No.:** **US D866,318 S**

(45) **Date of Patent:** **\*\* Nov. 12, 2019**

(54) **ARTICLE DISPENSER**  
(71) Applicant: **GALLIGREEN CORPORATION,**  
Toronto (CA)

(72) Inventor: **Gamila Gallimore,** Toronto (CA)

(73) Assignee: **GALLIGREEN CORPORATION,**  
Ontario (CA)

(\*\*) Term: **15 Years**

(21) Appl. No.: **29/653,094**

(22) Filed: **Jun. 12, 2018**

(30) **Foreign Application Priority Data**

Dec. 13, 2017 (CA) ..... 178728

(51) **LOC (12) Cl.** ..... **09-03**

(52) **U.S. Cl.**  
USPC ..... **D9/423; D9/737; D6/515; D7/637**

(58) **Field of Classification Search**  
USPC ..... D9/410, 414, 416, 417, 418, 420, 421,  
D9/423, 430-433, 456, 457, 600, 652,  
D9/667, 711, 713, 730-733, 737, 756,  
D9/759, 760; D3/297; D6/512-515;  
D7/637  
CPC . B65D 5/00; B65D 5/001; B65D 5/02; B65D  
5/13; B65D 5/18; B65D 5/20; B65D  
5/38; B65D 5/54  
See application file for complete search history.

(56) **References Cited**

**U.S. PATENT DOCUMENTS**

1,000,624 A \* 8/1911 Pexton ..... B65D 5/725  
119/61.3  
2,235,473 A \* 3/1941 Blinstrub ..... B65D 5/38  
206/124

3,593,908 A \* 7/1971 Desmond ..... B65D 5/16  
229/122  
3,944,128 A \* 3/1976 Hogan ..... B65D 5/722  
229/221  
D243,350 S \* 2/1977 Shibata ..... D27/175

(Continued)

*Primary Examiner* — Vy N Koenig

(74) *Attorney, Agent, or Firm* — Pearne & Gordon LLP

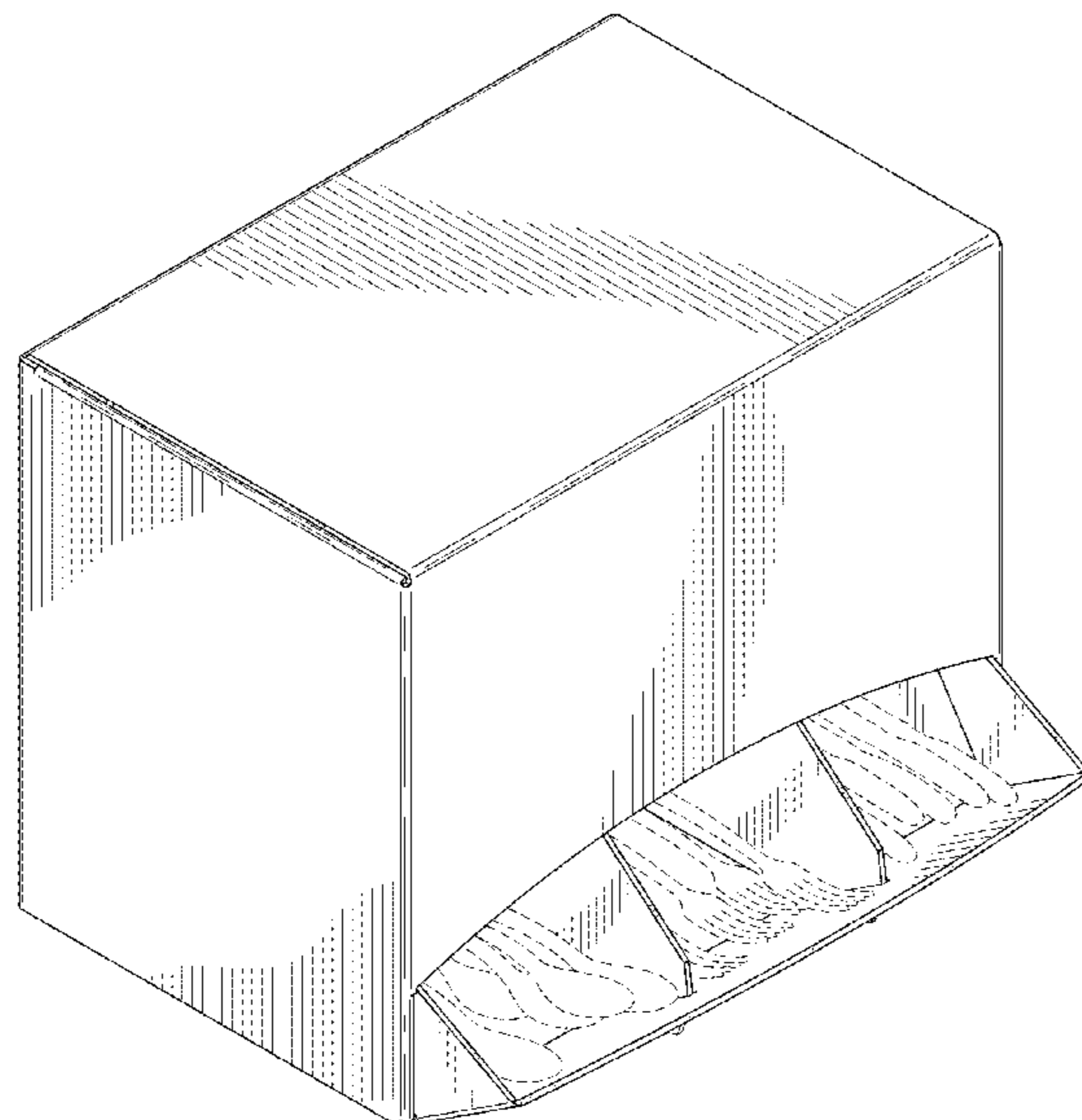
(57) **CLAIM**

The ornamental design for an article dispenser, as shown and described.

**DESCRIPTION**

FIG. 1 is an isometric view from the front and above of an article dispenser according to the present design, in a fully open position;  
FIG. 2 is an isometric view thereof from the rear and above in the fully open position;  
FIG. 3 is an isometric view from the bottom and below thereof;  
FIG. 4 is an isometric view from above, showing the design in the fully closed position;  
FIG. 5 is a side isometric view from above of the article dispenser in a partly open position wherein the dispenser portion is open, showing example articles therein, and the lid is closed;  
FIG. 6 is a top view in the partly open position of FIG. 5;  
FIG. 7 is a top view of the design with the lid open;  
FIG. 8 is a bottom view of the design in the fully open position;  
FIG. 9 is a side view of the design in the fully open position, the opposing side being a mirror image thereof;  
FIG. 10 is a side view of the design in the fully closed position, the opposing side being a mirror image thereof;  
FIG. 11 is a front view of the design in the fully open position; and,  
FIG. 12 is a rear view of the design in the open position.  
The broken lines shown in the drawings illustrate portions of the article dispenser that form no part of the claimed design.

**1 Claim, 12 Drawing Sheets**



(56)

**References Cited**

## U.S. PATENT DOCUMENTS

4,602,735	A *	7/1986	Aaron	.....	B65D 5/721 221/305
5,458,272	A *	10/1995	Ward-Weber	.....	B65D 5/10 229/122.1
D430,489	S *	9/2000	Bowers	.....	D9/416
6,189,778	B1 *	2/2001	Kanter	.....	B65D 5/001 221/305
6,951,300	B2 *	10/2005	Caille	.....	B65D 5/5445 229/121
7,066,380	B2 *	6/2006	Blake	.....	B65D 5/524 206/45.29
7,703,665	B2 *	4/2010	McGowan	.....	B65D 5/722 221/302
D638,310	S *	5/2011	Kennedy	.....	D9/421
D680,423	S *	4/2013	Wong	.....	D9/423
D680,859	S *	4/2013	Levy	.....	D9/423
D697,792	S *	1/2014	Levy	.....	D9/423
D697,793	S *	1/2014	Levy	.....	D9/423
8,844,798	B2 *	9/2014	Linkel	.....	B65D 5/542 229/121
D746,677	S *	1/2016	Candelaria	.....	D9/430
D747,188	S *	1/2016	Candelaria	.....	D9/430
9,237,815	B2 *	1/2016	Smith	.....	A47F 1/10
D789,088	S *	6/2017	Stuart	.....	D3/297
D813,666	S *	3/2018	Habig	.....	D9/432

\* cited by examiner

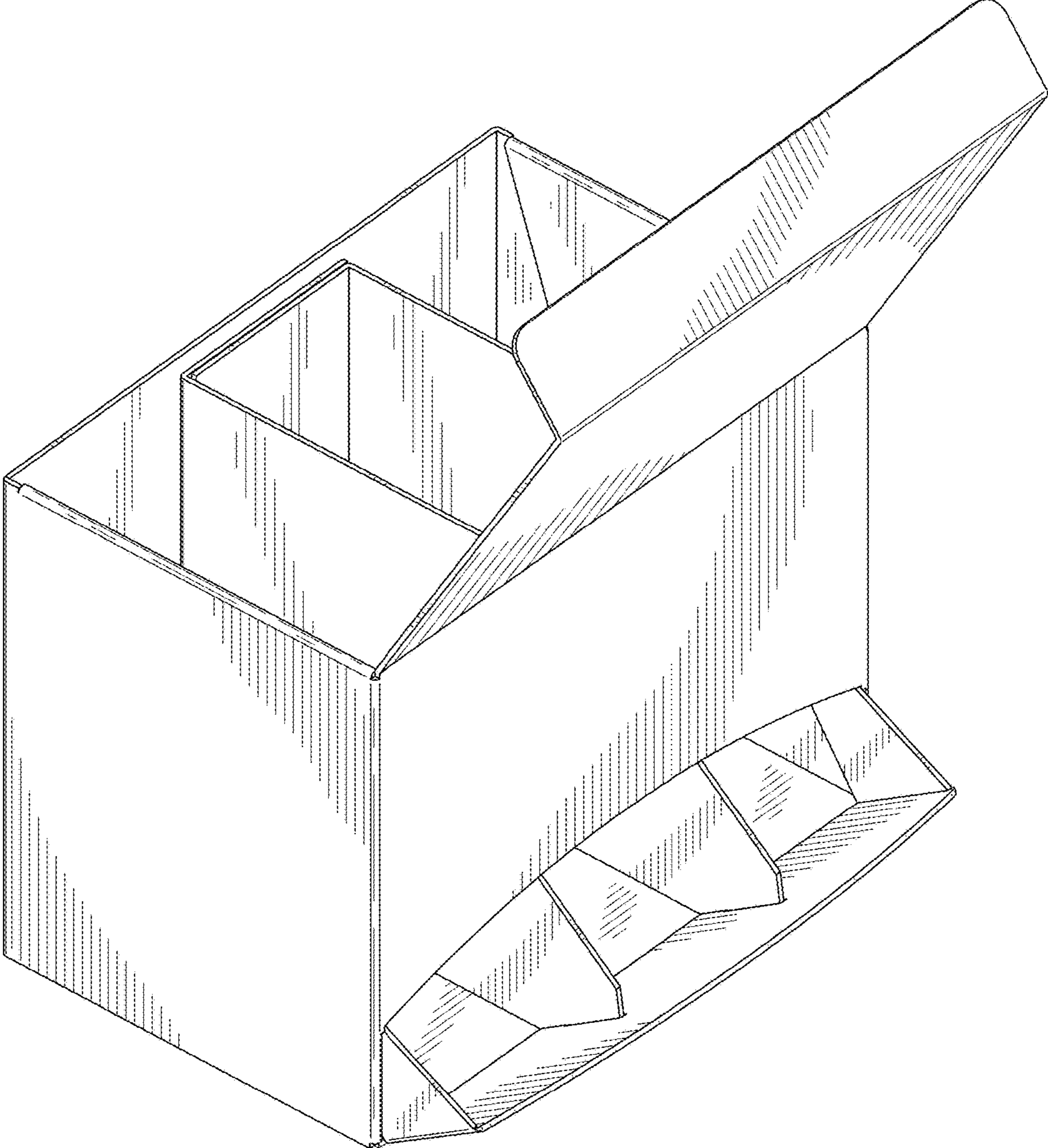


FIG. 1

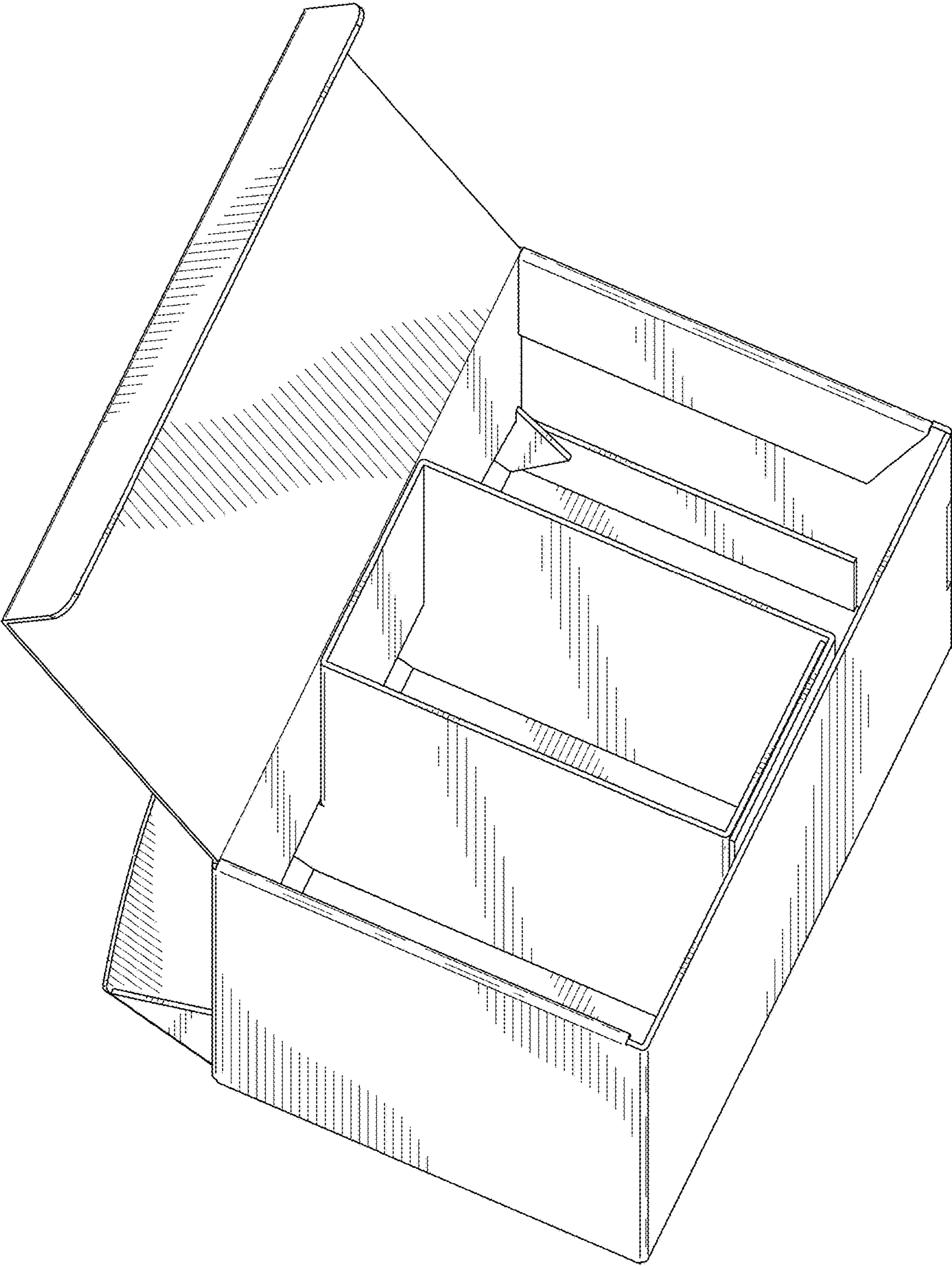


FIG. 2

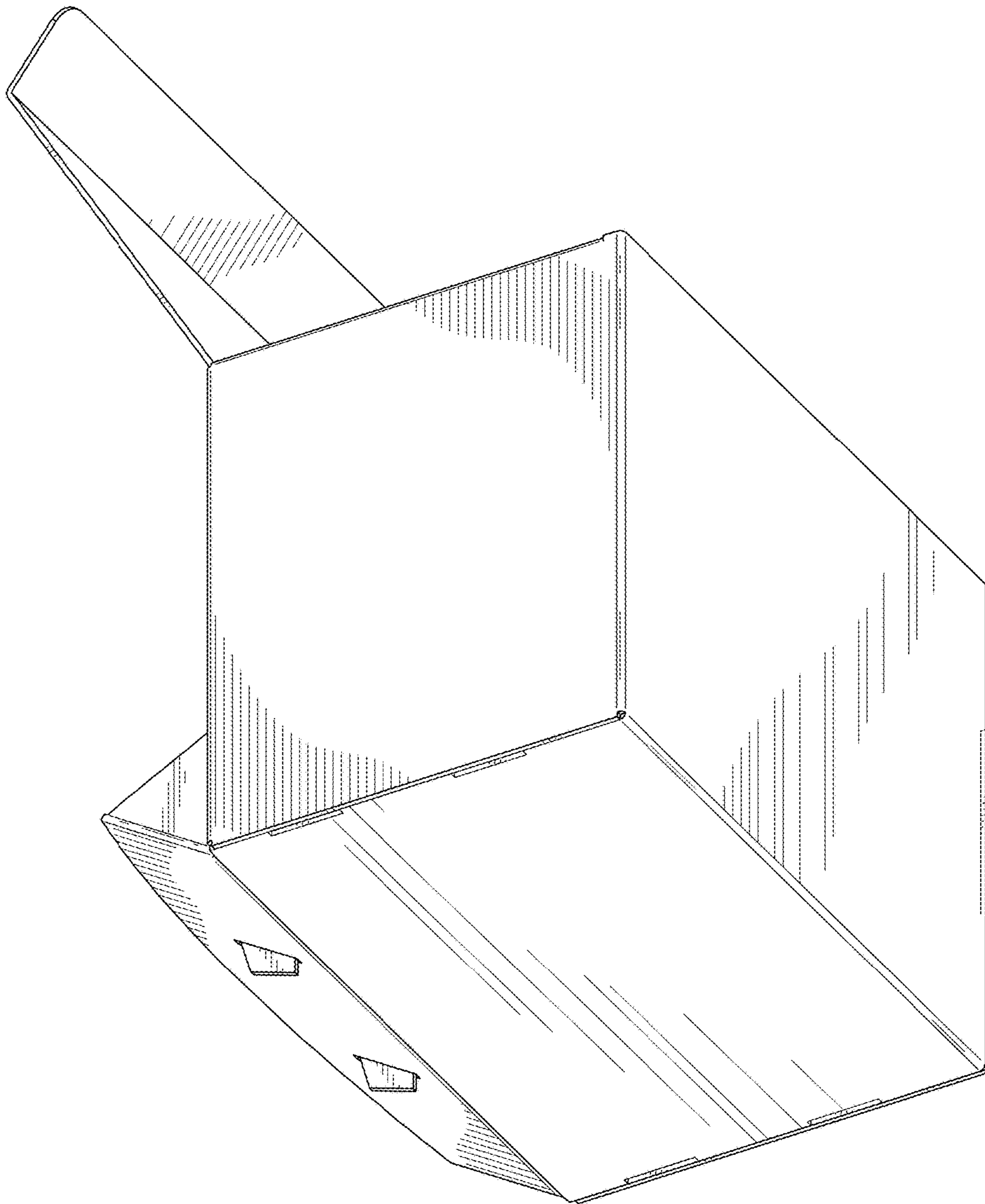


FIG. 3

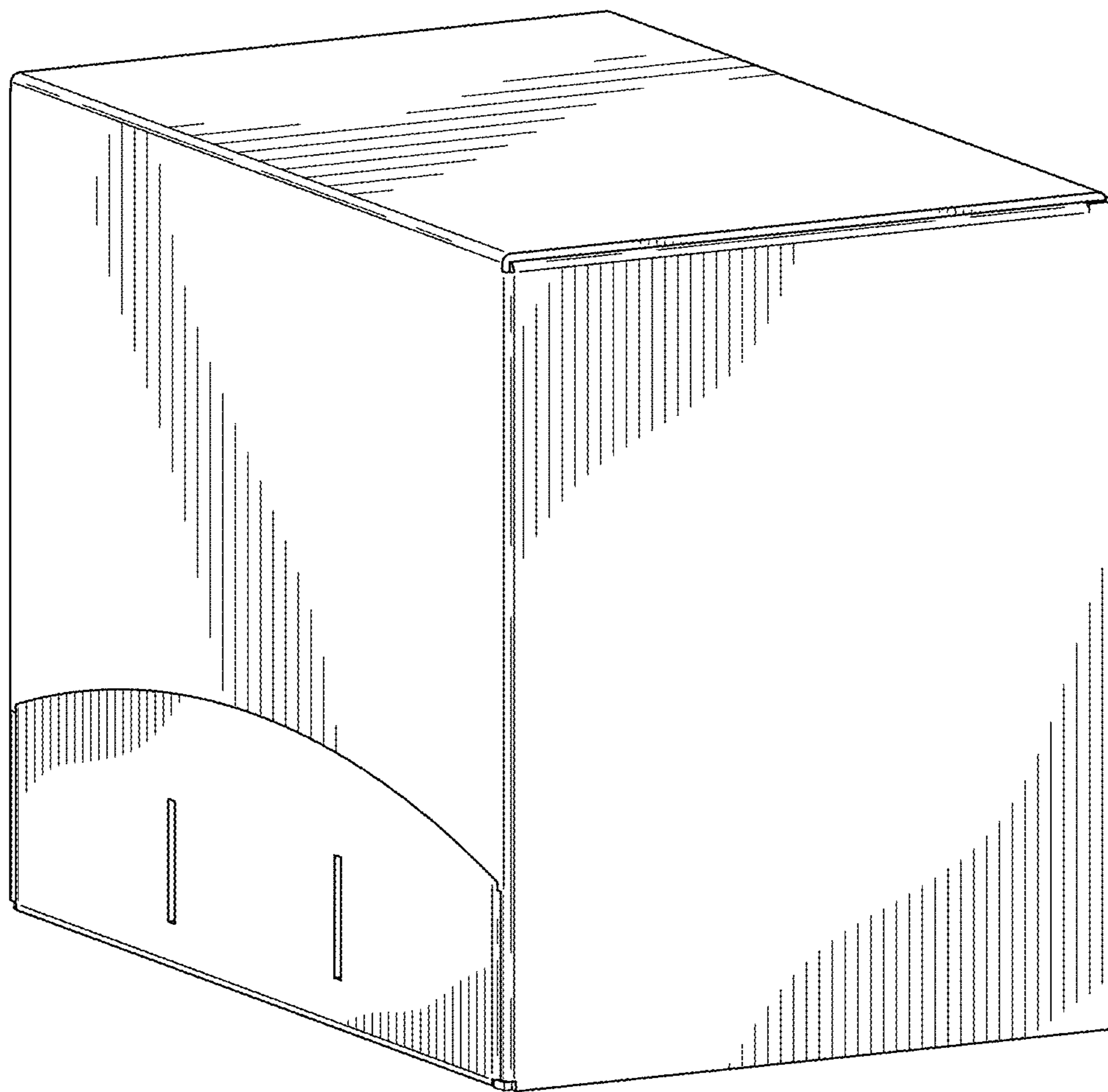


FIG. 4

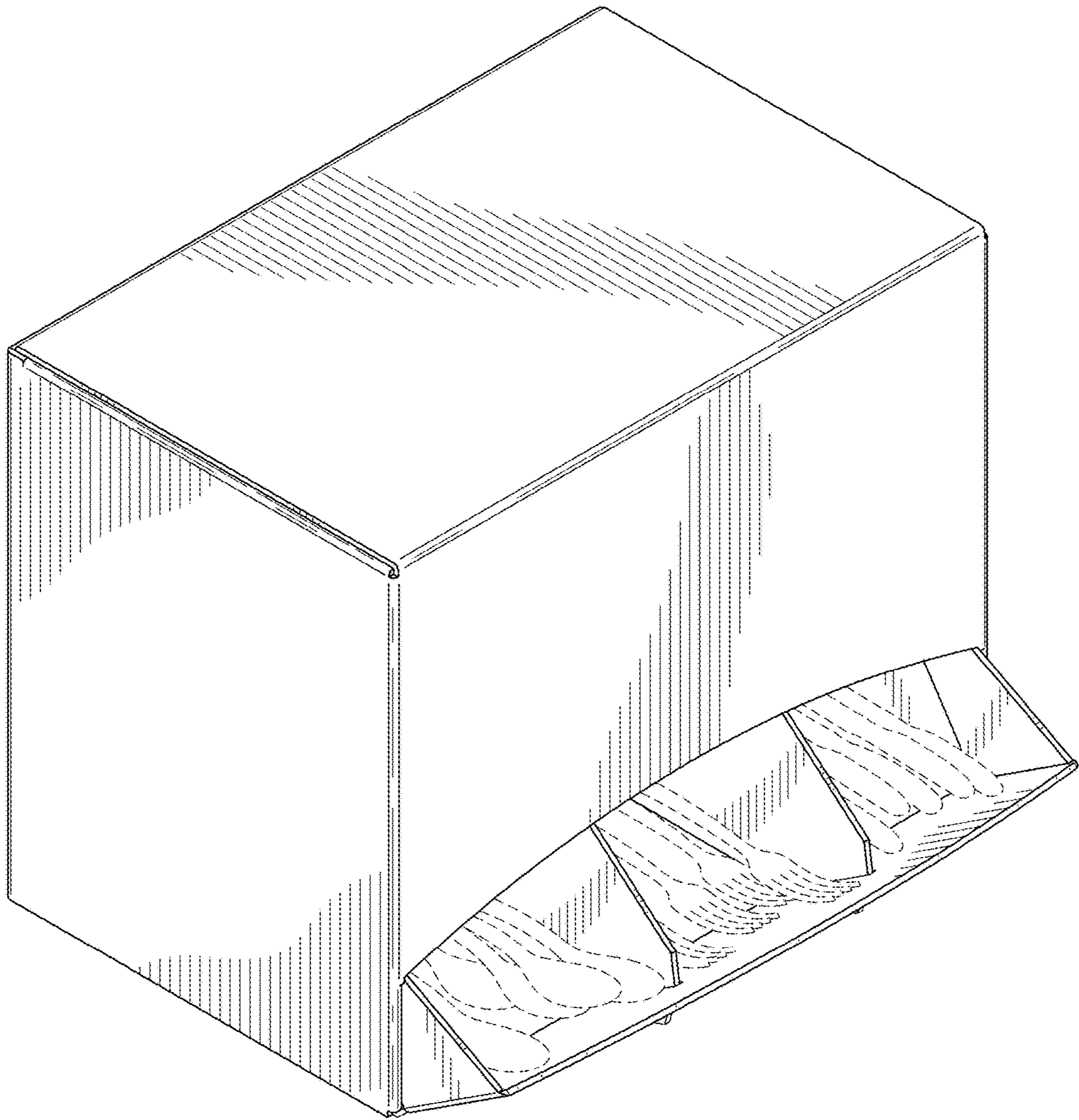


FIG. 5

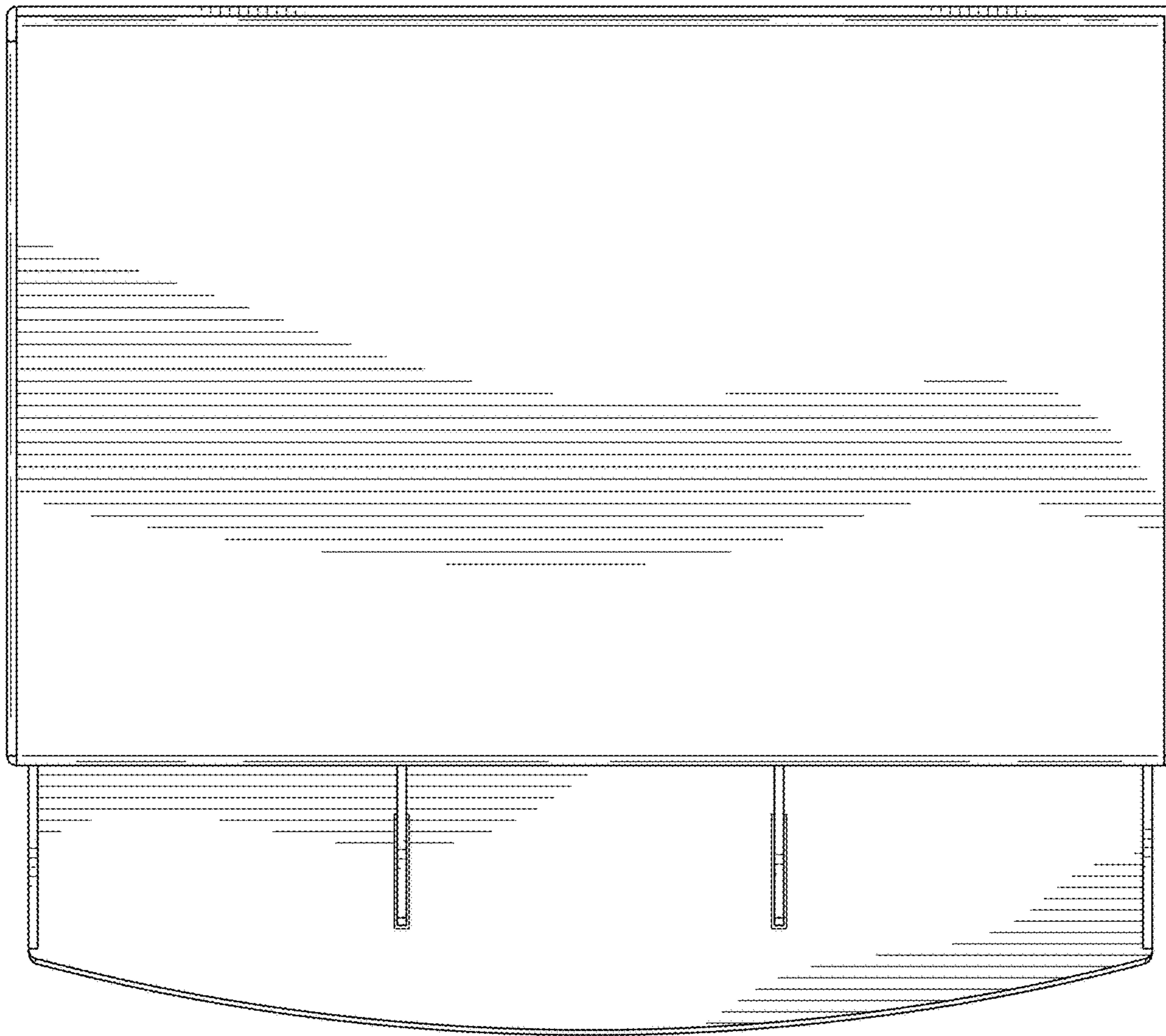


FIG. 6



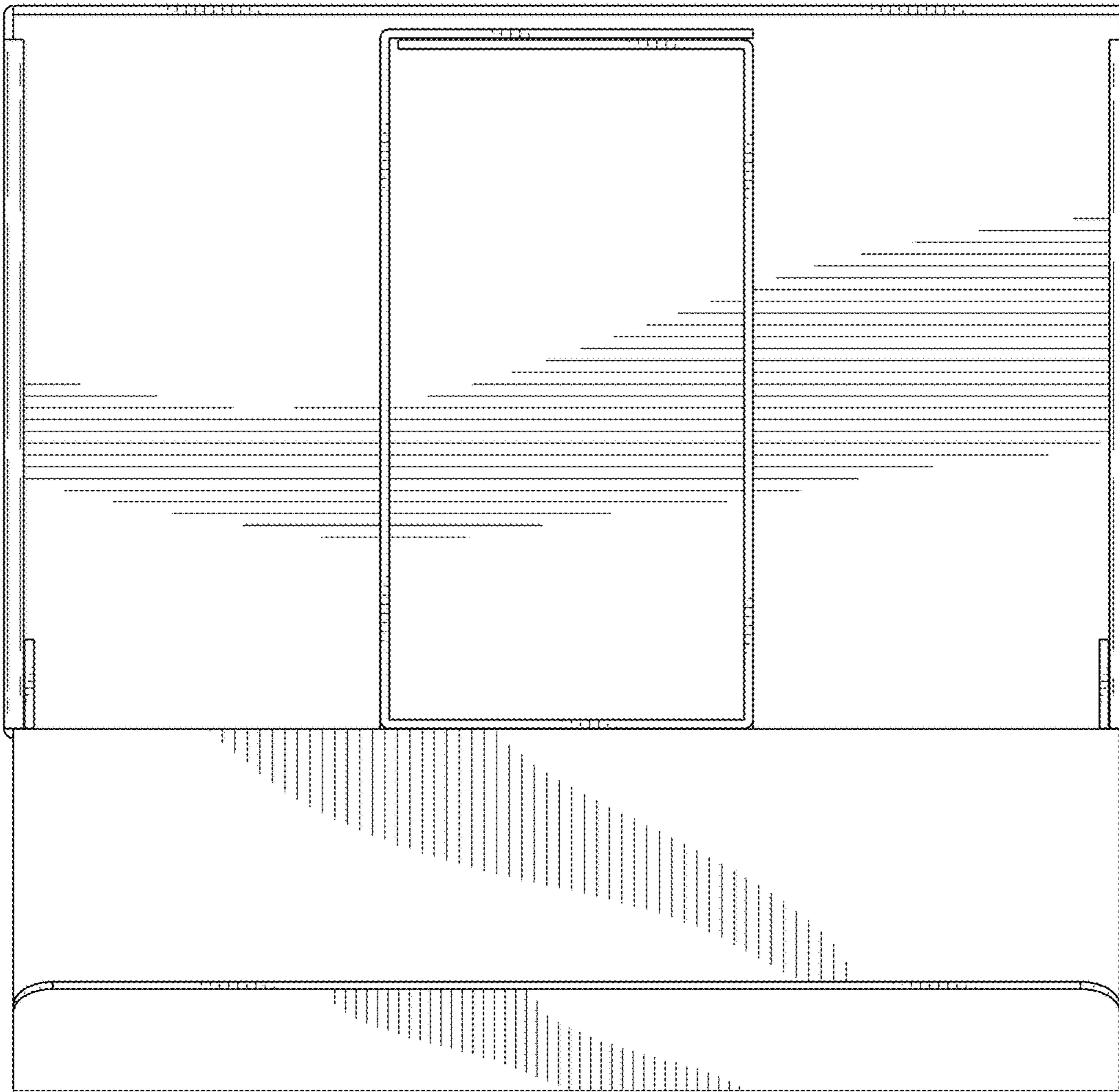


FIG. 7

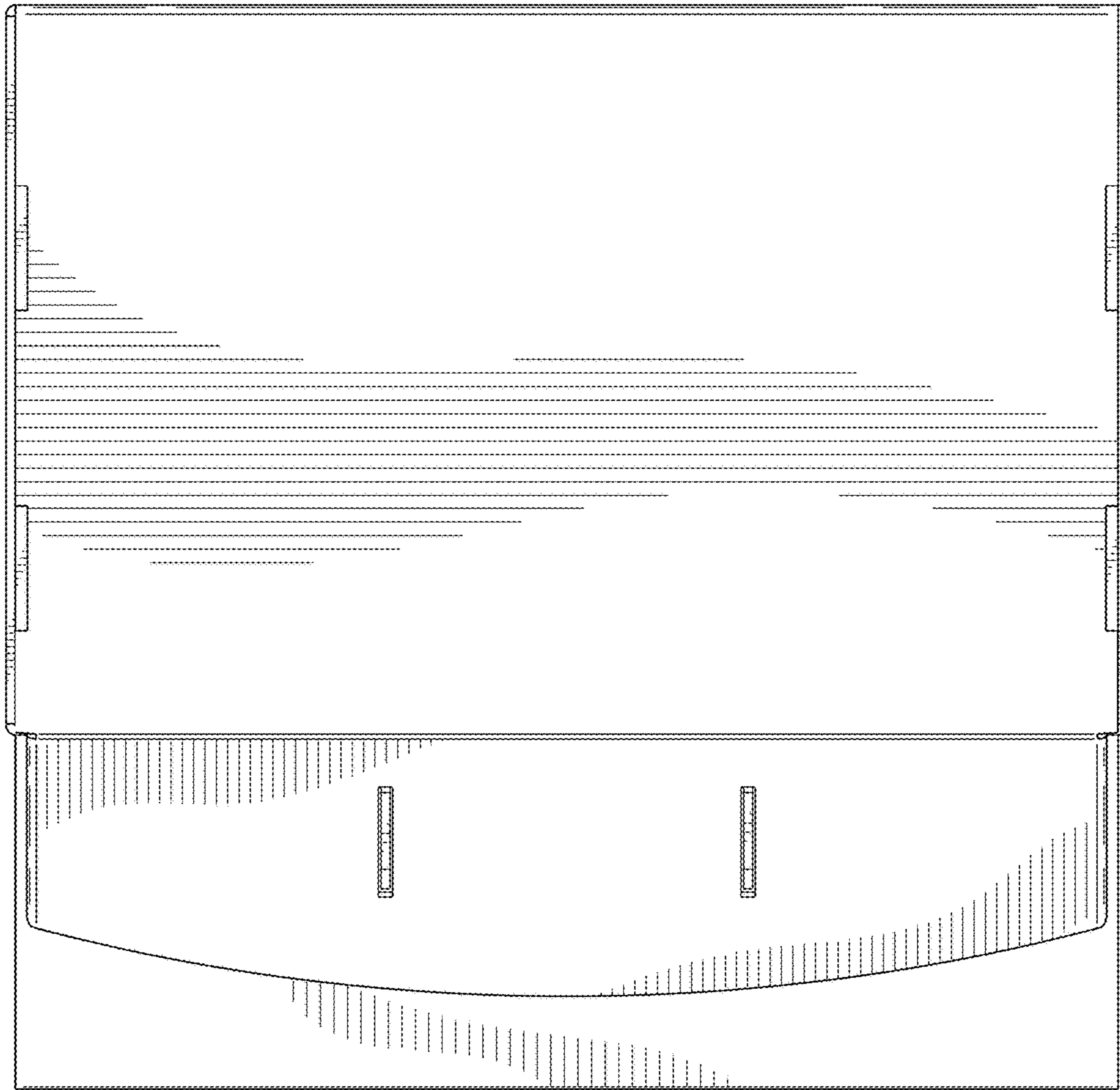


FIG. 8

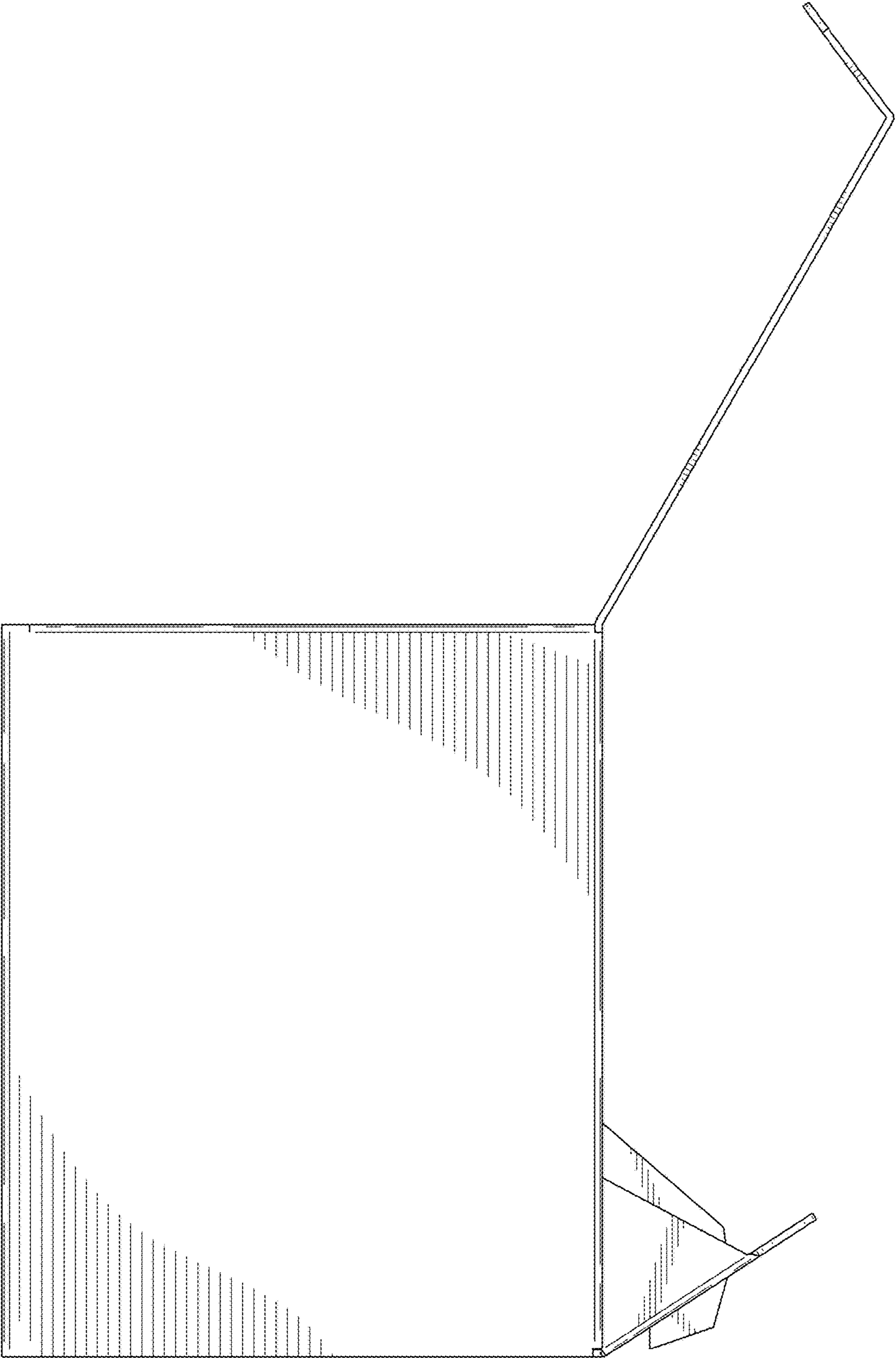


FIG. 9

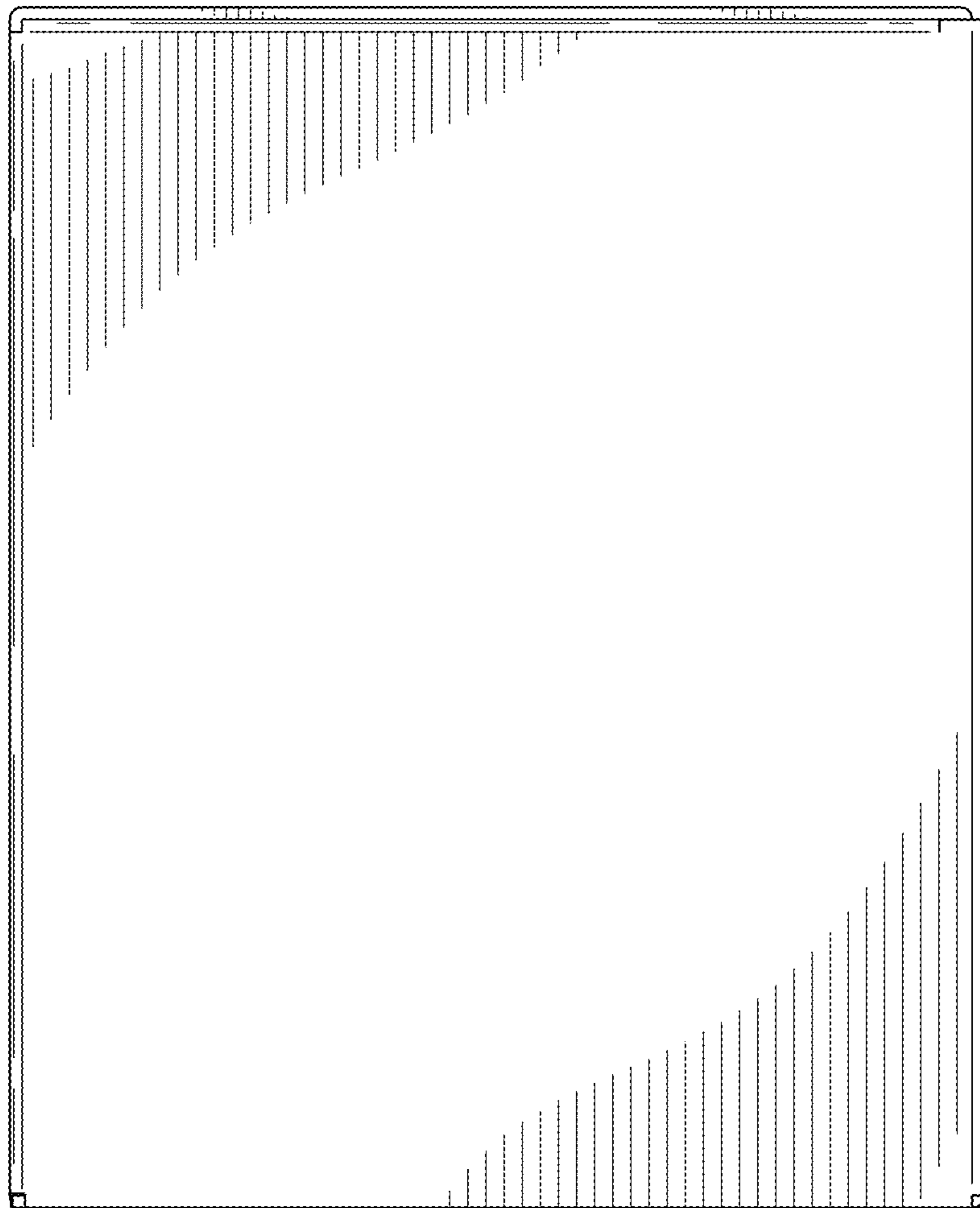


FIG. 10

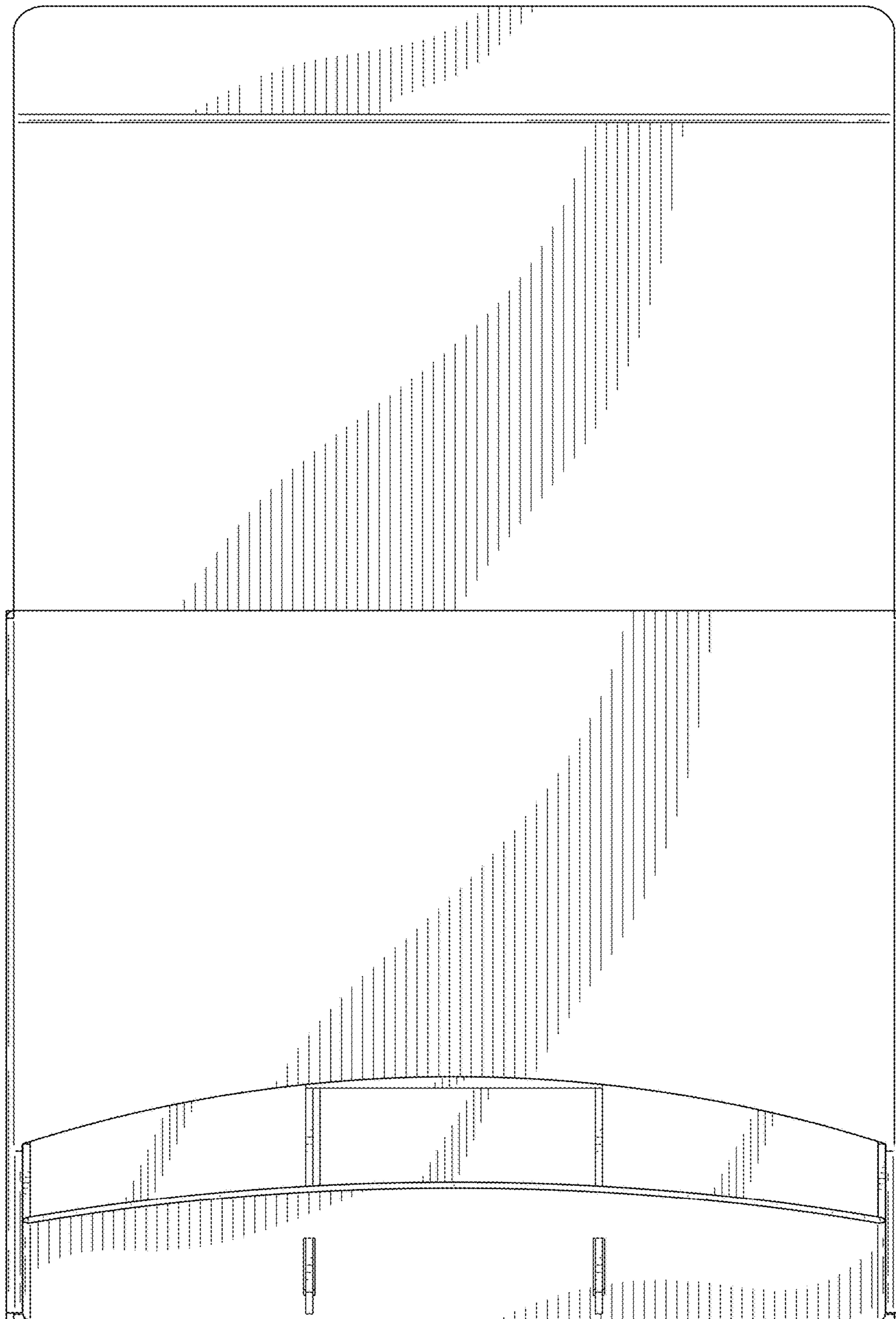


FIG. 11

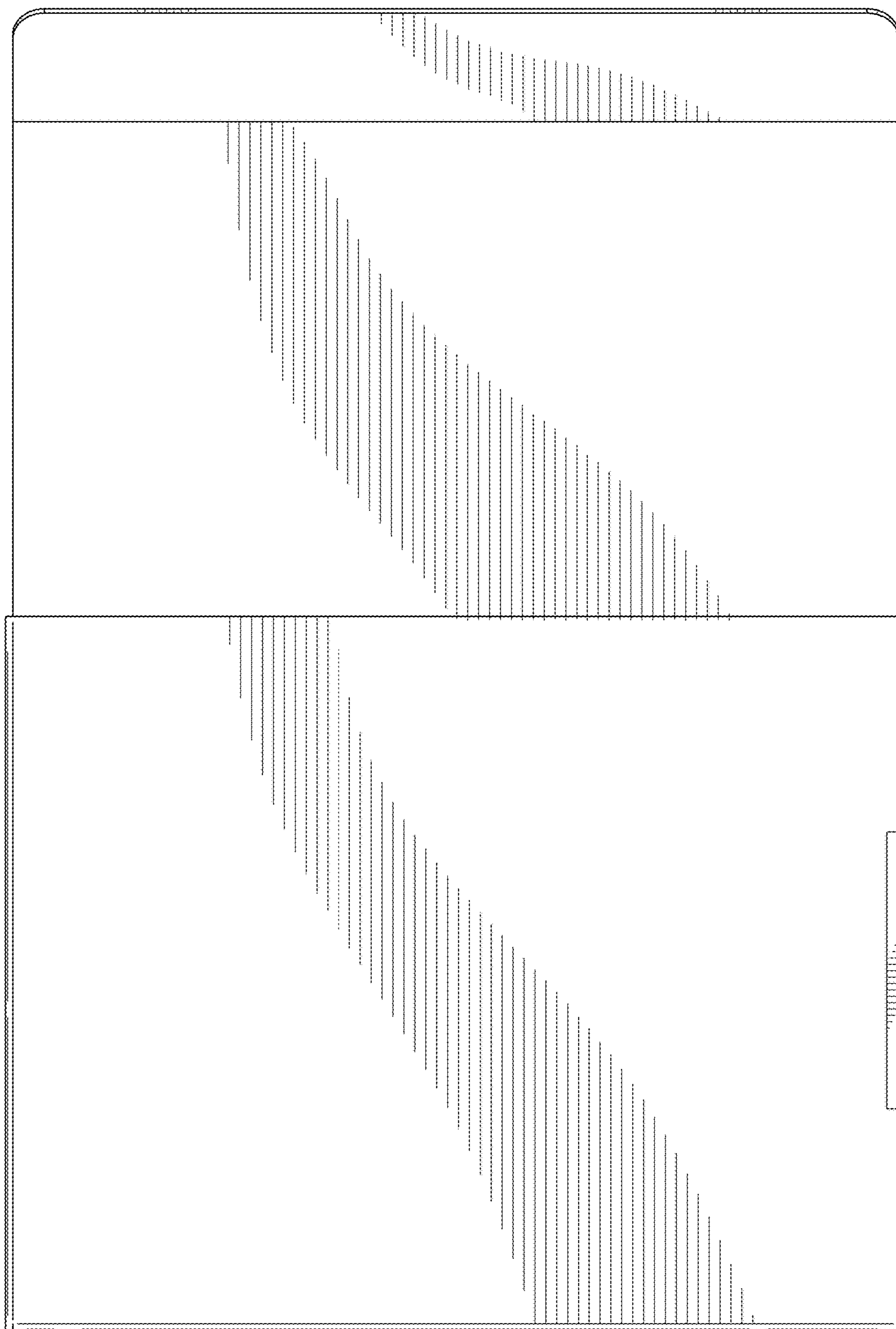


FIG. 12