



US00D866317S

(12) **United States Design Patent** (10) **Patent No.:** **US D866,317 S**
Cranshaw et al. (45) **Date of Patent:** **** Nov. 12, 2019**

(54) **SHOE STORAGE BOX**
(71) Applicant: **Acushnet Company**, Fairhaven, MA (US)
(72) Inventors: **Stephen P. Cranshaw**, Cumberland, RI (US); **David E. Shedd**, Barrington, RI (US)
(73) Assignee: **Acushnet Company**, Fairhaven, MA (US)
(**) Term: **15 Years**

| | | | | |
|--------------|--------|-------------|-------|---------|
| D563,102 S * | 3/2008 | Cornwell | | D3/294 |
| D584,053 S | 1/2009 | Abdo et al. | | |
| D590,248 S | 4/2009 | Mu et al. | | |
| D617,558 S | 6/2010 | Myers | | |
| D618,443 S | 6/2010 | Hall et al. | | |
| D620,795 S * | 8/2010 | Andre | | D9/432 |
| D643,306 S * | 8/2011 | Martinez | | D9/721 |
| D643,628 S | 8/2011 | Monarch | | |
| D658,907 S | 5/2012 | Peel | | |
| D675,020 S | 1/2013 | Mu et al. | | |
| D808,090 S * | 1/2018 | Diehl | | D30/162 |
| D809,936 S * | 2/2018 | Yong | | D9/755 |
| D821,198 S * | 6/2018 | Arnold | | D9/436 |
| D845,121 S * | 4/2019 | Webb | | D9/414 |
| D845,754 S * | 4/2019 | Snedden | | D9/420 |
| D848,835 S * | 5/2019 | Exner | | D9/431 |

(21) Appl. No.: **29/617,933**

* cited by examiner

(22) Filed: **Sep. 18, 2017**

Primary Examiner — Rhea Shields

(51) **LOC (12) Cl.** **09-03**

(74) *Attorney, Agent, or Firm* — Daniel W. Sullivan

(52) **U.S. Cl.**
USPC **D9/420**

(58) **Field of Classification Search**
USPC D9/420, 431, 432, 430, 414–419, 755,
D9/721; D3/294; D30/162
CPC B65D 5/3621; B65D 5/667; B65D 5/6626;
B65D 5/6697; B65D 75/322; G11B
33/045
See application file for complete search history.

(57) **CLAIM**

The ornamental design for a shoe storage box, as shown and described.

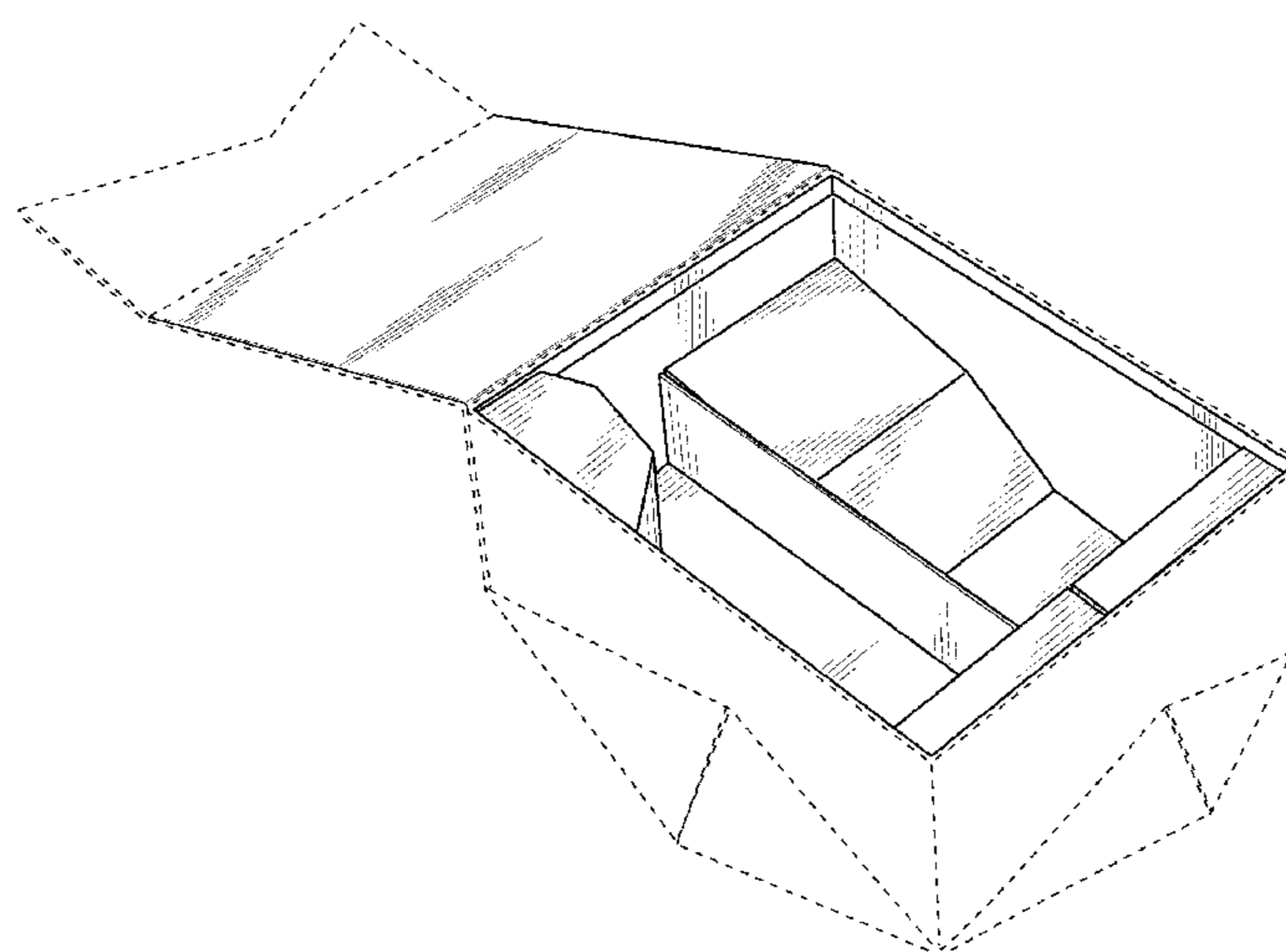
DESCRIPTION

FIG. 1 is a first perspective view of the shoe storage box, showing my new invention;
FIG. 2 is a second perspective view thereof;
FIG. 3 is a top plan view thereof;
FIG. 4 is a first side elevation view thereof;
FIG. 5 is a second side elevation view thereof;
FIG. 6 is a third side elevation view thereof;
FIG. 7 is a third perspective view thereof;
FIG. 8 is a fourth perspective view thereof; and,
FIG. 9 is a fifth perspective view thereof.
In the drawings, the broken lines are for the purpose of illustrating environment only and form no part of the claimed design.

(56) **References Cited**
U.S. PATENT DOCUMENTS

| | | | | |
|---------------|--------|-----------------|-------|------------------------|
| 3,463,309 A * | 8/1969 | Szostek | | B65D 75/322 206/470 |
| 5,775,494 A * | 7/1998 | Taplin | | G11B 33/045 206/232 |
| D429,085 S | 8/2000 | Welty et al. | | |
| D429,826 S | 8/2000 | Aldubi et al. | | |
| D515,810 S | 2/2006 | Terwelp | | |
| D519,830 S * | 5/2006 | Yocum | | D9/420 |
| D524,641 S | 7/2006 | Hamilton et al. | | |
| D539,644 S | 4/2007 | Fuerst | | |

1 Claim, 7 Drawing Sheets



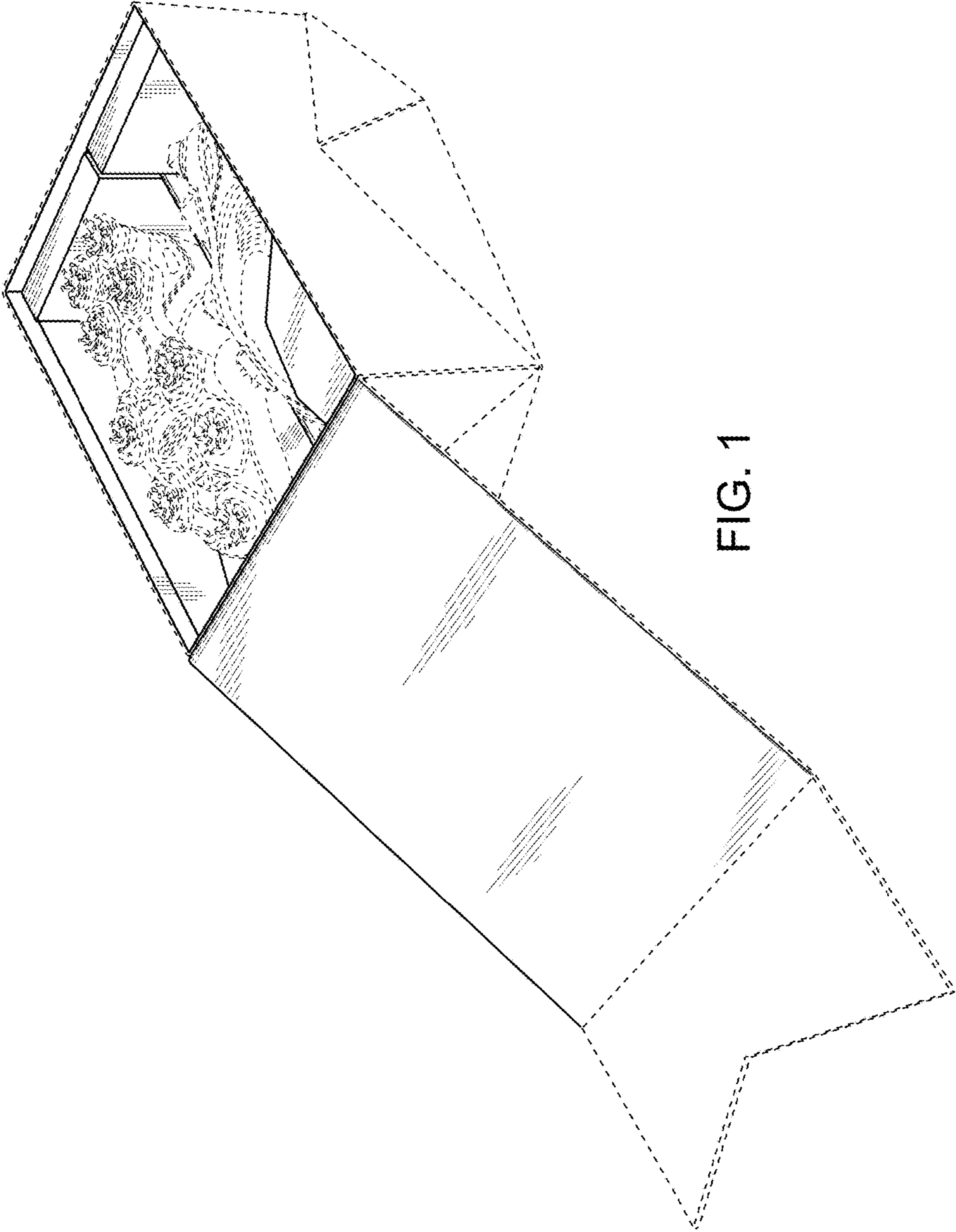


FIG. 1

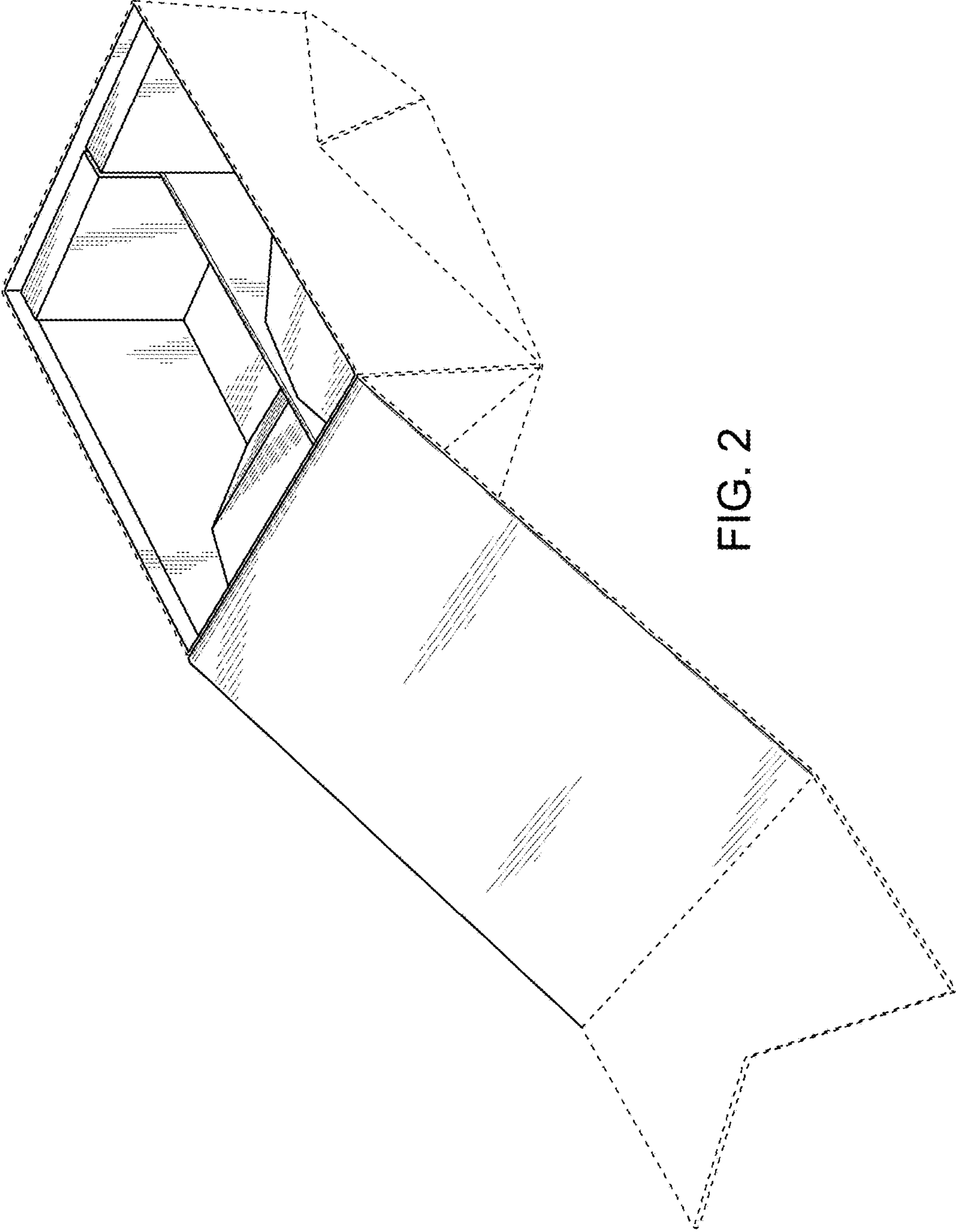


FIG. 2

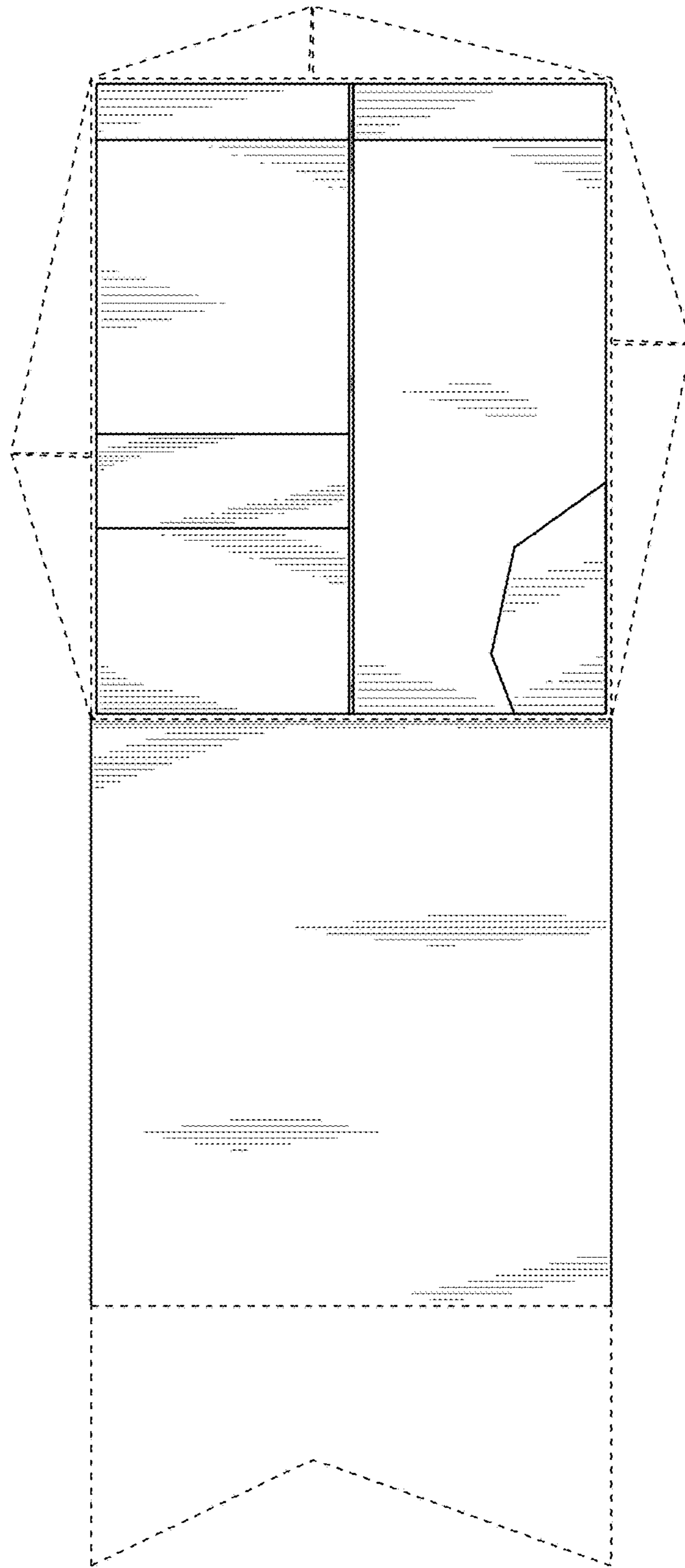


FIG. 3

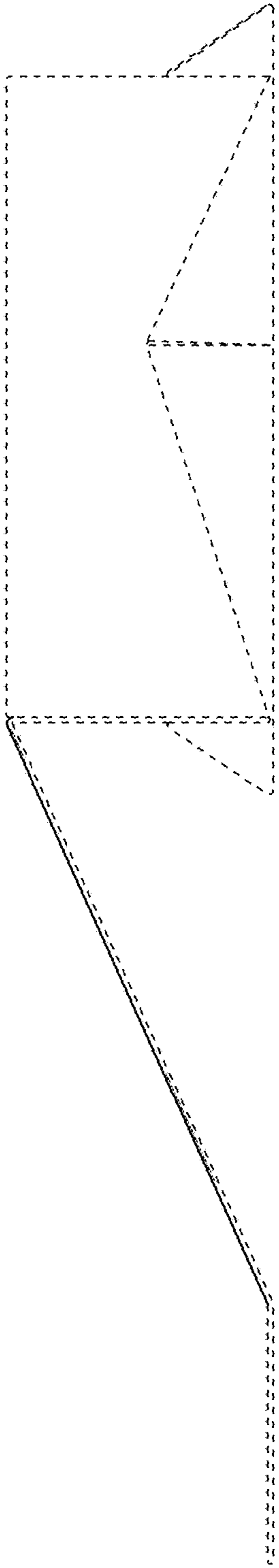


FIG. 4

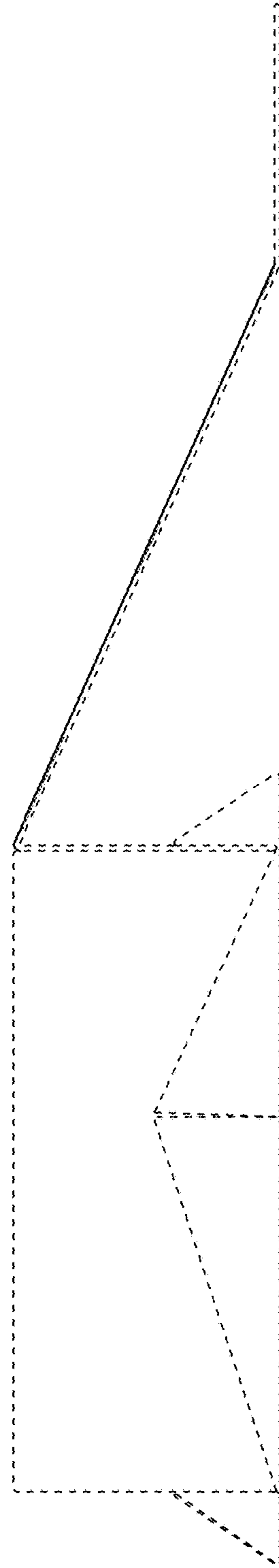


FIG. 5

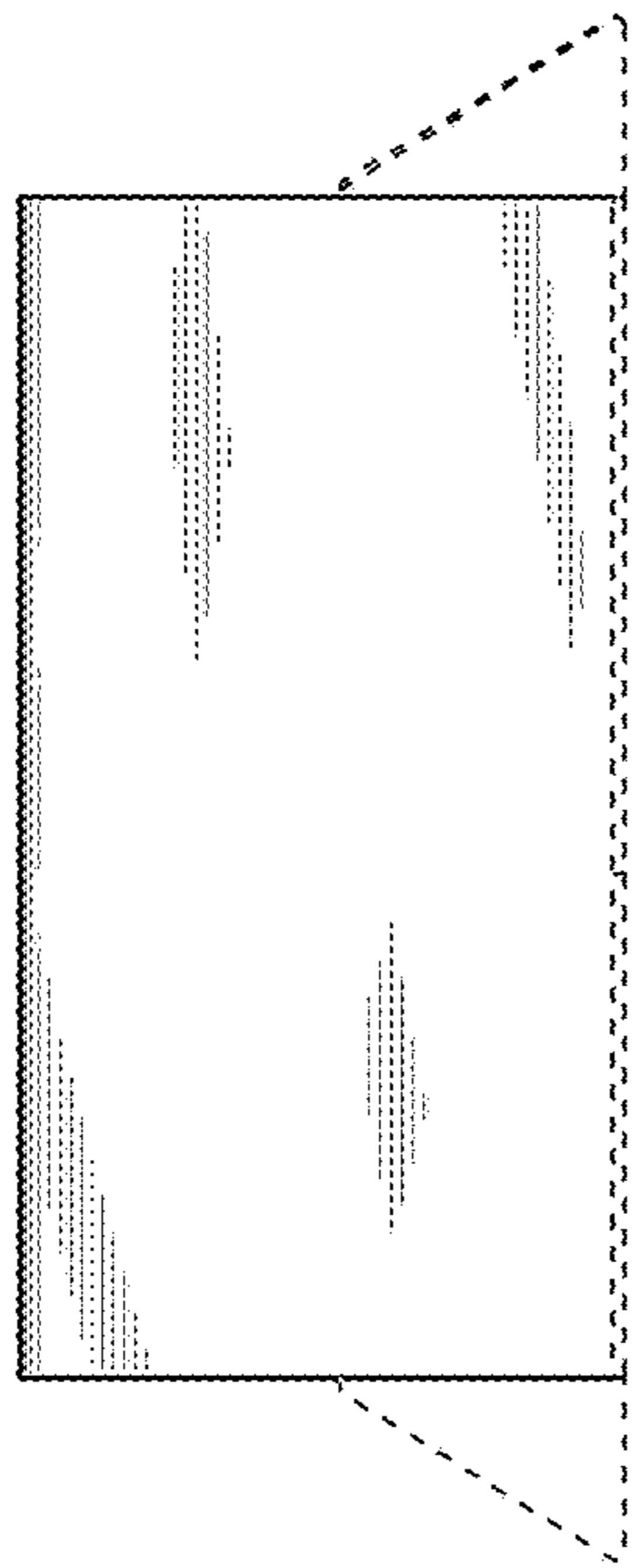


FIG. 6

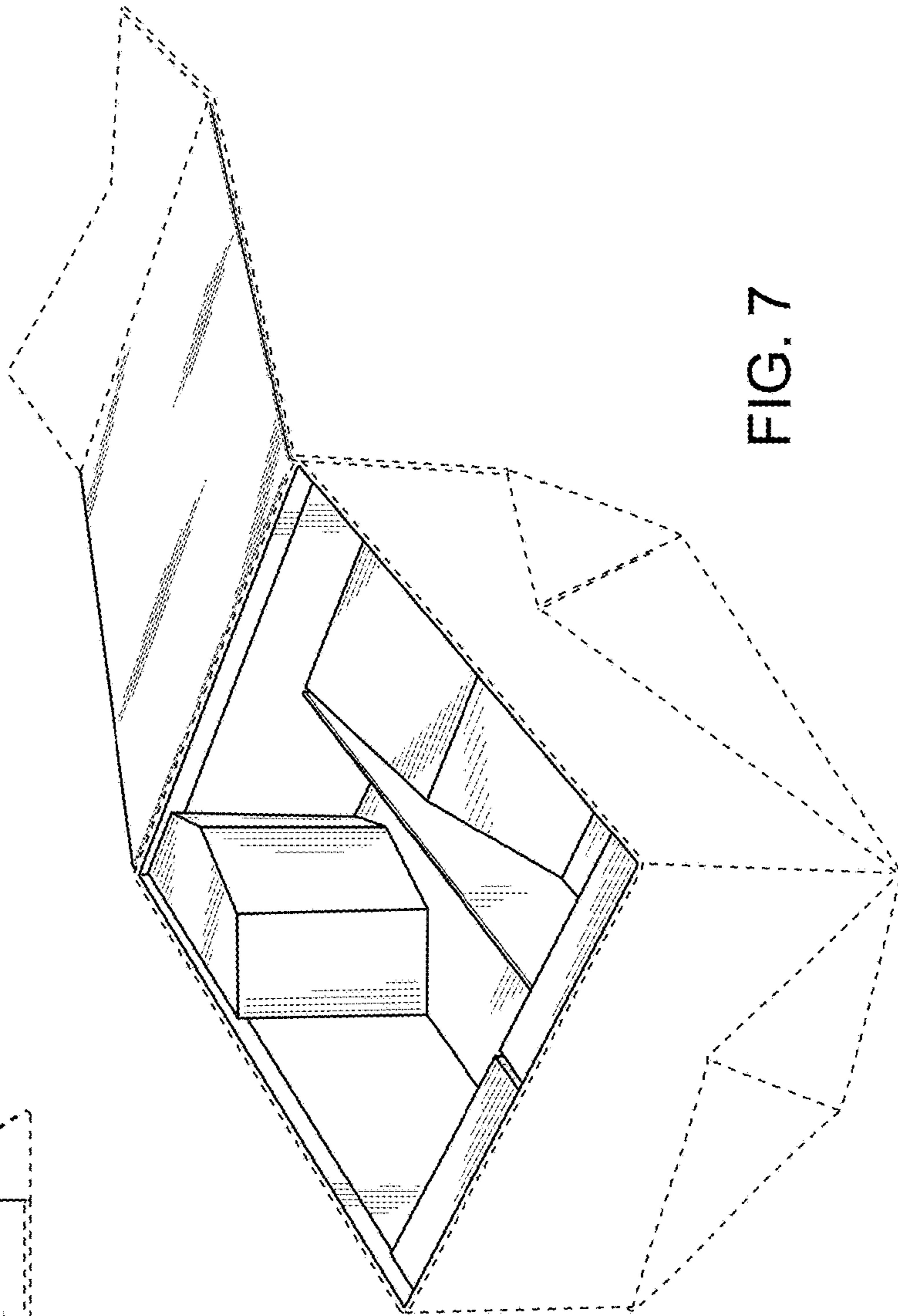


FIG. 7

FIG. 8

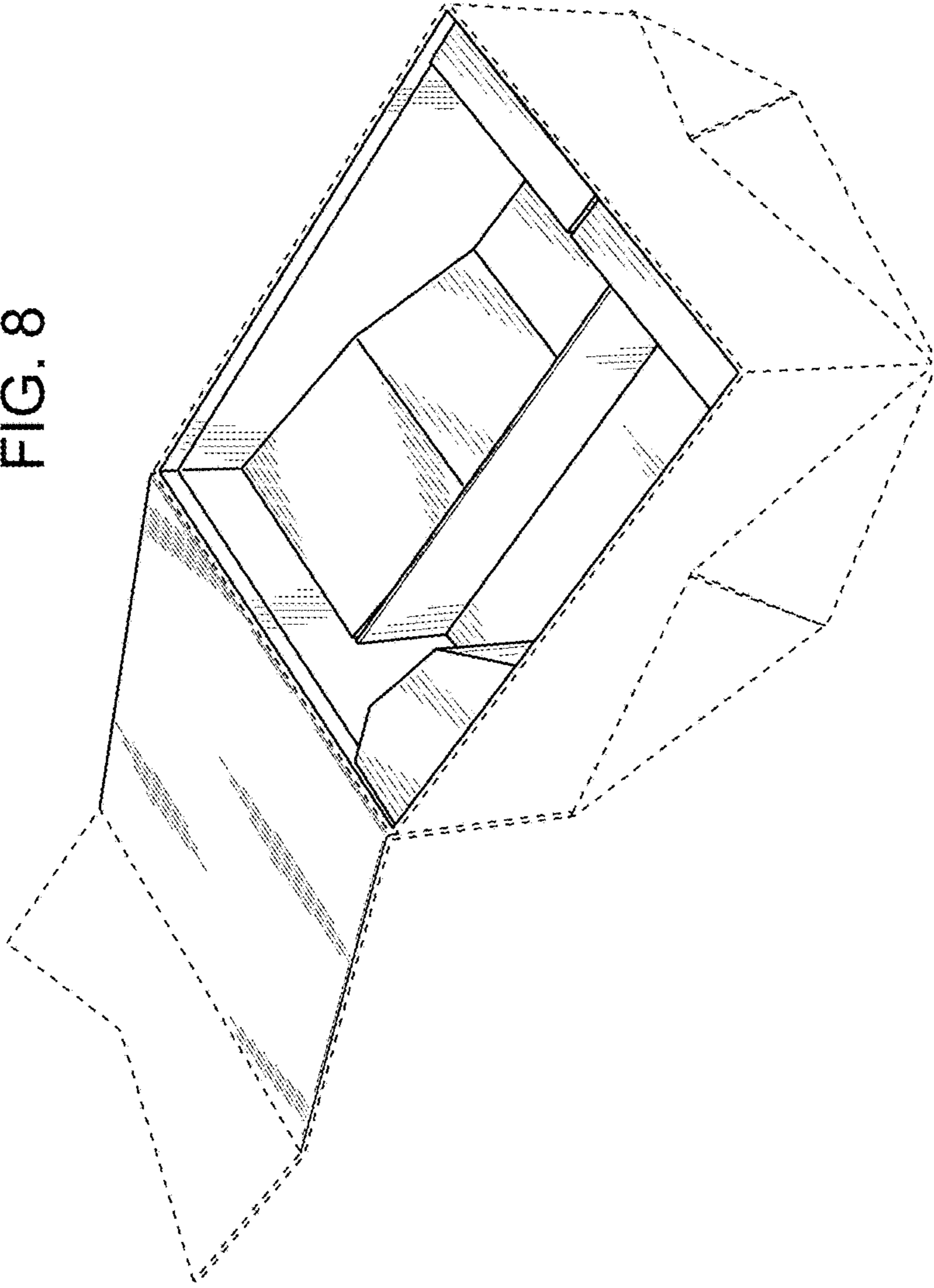


FIG. 9

