

US00D866316S

(12) **United States Design Patent**
Cranshaw

(10) **Patent No.:** **US D866,316 S**

(45) **Date of Patent:** **** Nov. 12, 2019**

(54) **SHOE STORAGE BOX**

(71) Applicant: **Acushnet Company**, Fairhaven, MA
(US)

(72) Inventor: **Stephen P. Cranshaw**, Cumberland, RI
(US)

(73) Assignee: **Acushnet Company**, Fairhaven, MA
(US)

(**) Term: **15 Years**

(21) Appl. No.: **29/616,727**

(22) Filed: **Sep. 8, 2017**

(51) **LOC (12) Cl.** **09-03**

(52) **U.S. Cl.**
USPC **D9/420**

(58) **Field of Classification Search**
USPC D9/420, 431, 432, 430, 414-419;
D3/294
CPC B65D 5/3621; B65D 5/667; B65D 5/6626;
B65D 5/6697
See application file for complete search history.

(56) **References Cited**

U.S. PATENT DOCUMENTS

D96,375 S *	7/1935	Flier	D3/294
3,633,815 A *	1/1972	Rosenburg, Jr.	B65D 5/6626 229/110
4,360,147 A *	11/1982	Brauner	B65D 5/667 229/146
4,930,681 A *	6/1990	Fultz	B65D 5/667 229/114
5,044,549 A *	9/1991	Beales	B65D 5/6697 229/114
D329,806 S *	9/1992	Kindt	D9/430
D428,334 S *	7/2000	Serfaty	D9/430
D429,085 S	8/2000	Welty et al.		

D515,810 S	2/2006	Terwelp		
D519,830 S *	5/2006	Yocum	D9/420
D524,641 S	7/2006	Hamilton et al.		
D539,644 S	4/2007	Fuerst		
D584,053 S	1/2009	Abdo et al.		
D590,248 S	4/2009	Mu et al.		
D617,558 S	6/2010	Myers		
D618,443 S	6/2010	Hall et al.		
D631,340 S *	1/2011	Learn	D9/430
D643,628 S	8/2011	Monarch		
D658,907 S	5/2012	Peel		
D675,020 S	1/2013	Mu et al.		
9,145,226 B2 *	9/2015	Barriere	B65D 5/3621
D845,121 S *	4/2019	Webb	D9/414
D845,760 S *	4/2019	Oliveira	D9/432
D848,835 S *	5/2019	Exner	D9/431

* cited by examiner

Primary Examiner — Rhea Shields

(74) *Attorney, Agent, or Firm* — Daniel W. Sullivan

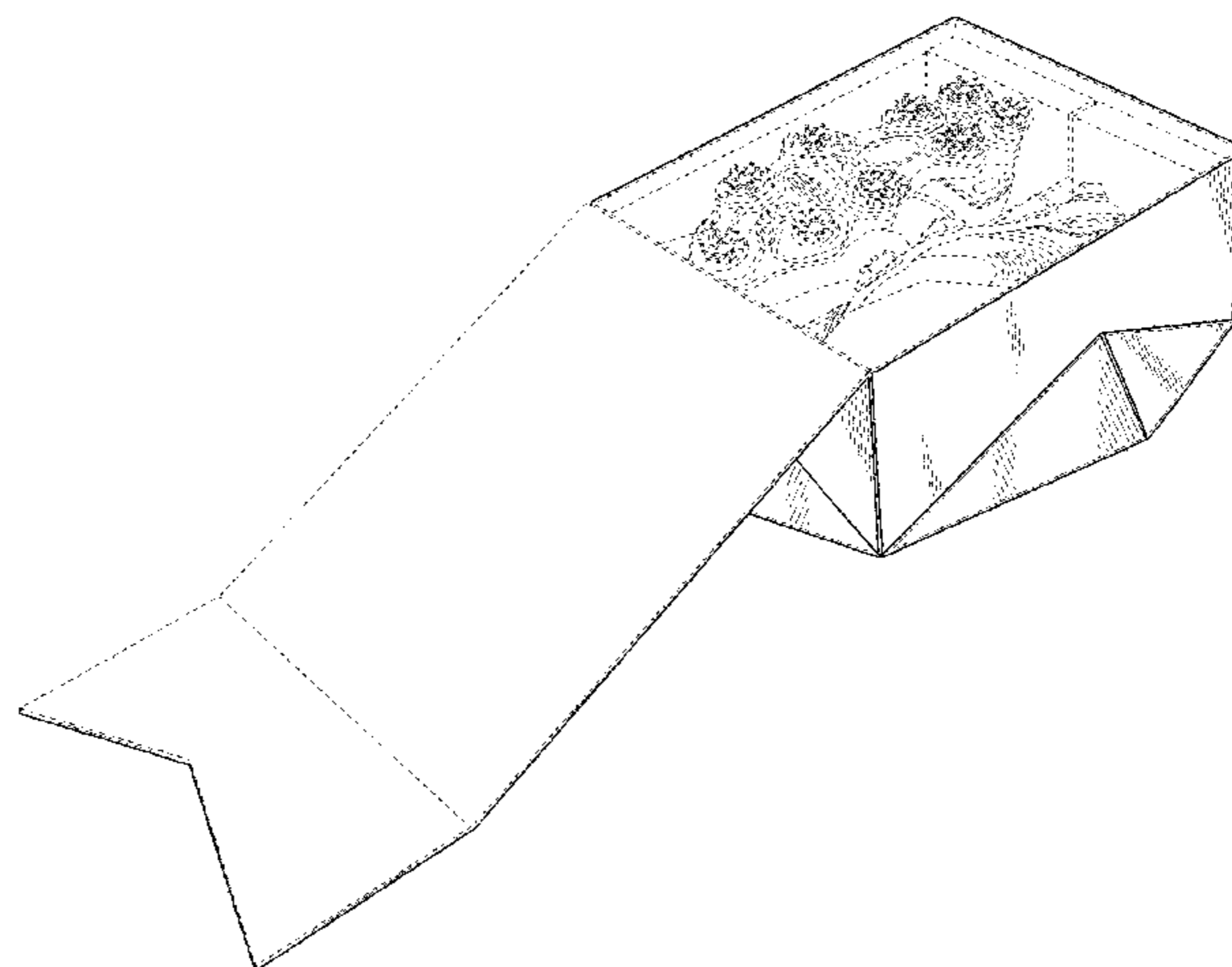
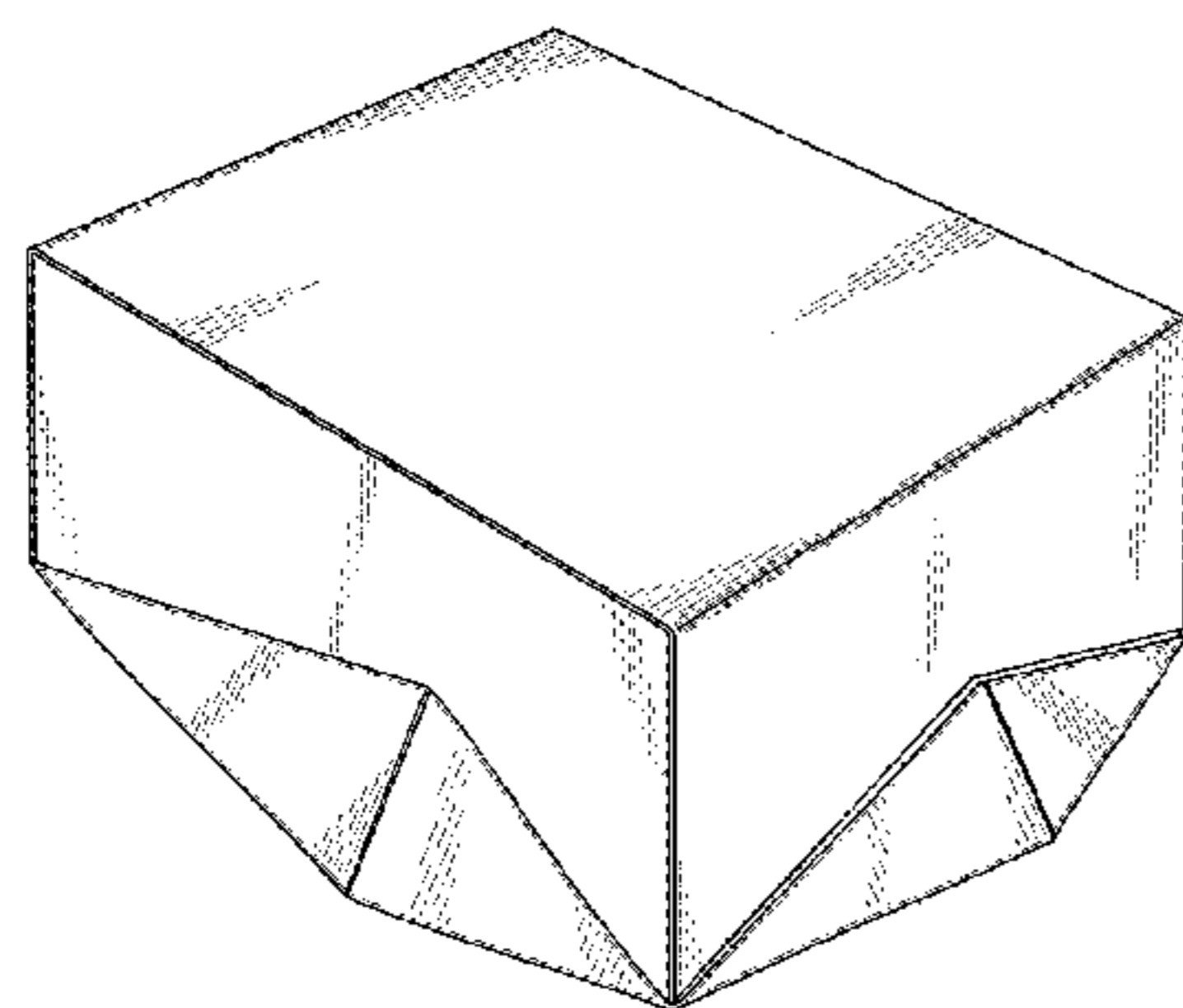
(57) **CLAIM**

The ornamental design for a shoe storage box, as shown and described.

DESCRIPTION

FIG. 1 is a first perspective view of the shoe storage box, Showing my new invention;
FIG. 2 is a top plan view thereof;
FIG. 3 is a first side elevation view thereof;
FIG. 4 is a second side elevation view thereof;
FIG. 5 is a bottom plan view thereof;
FIG. 6 is a third side elevation view thereof;
FIG. 7 is a fourth side elevation view thereof; and,
FIG. 8 is a second perspective view thereof, and in an open configuration.
In the drawings, the broken lines are for the purpose of illustrating environment only and form no part of the claimed design.

1 Claim, 5 Drawing Sheets



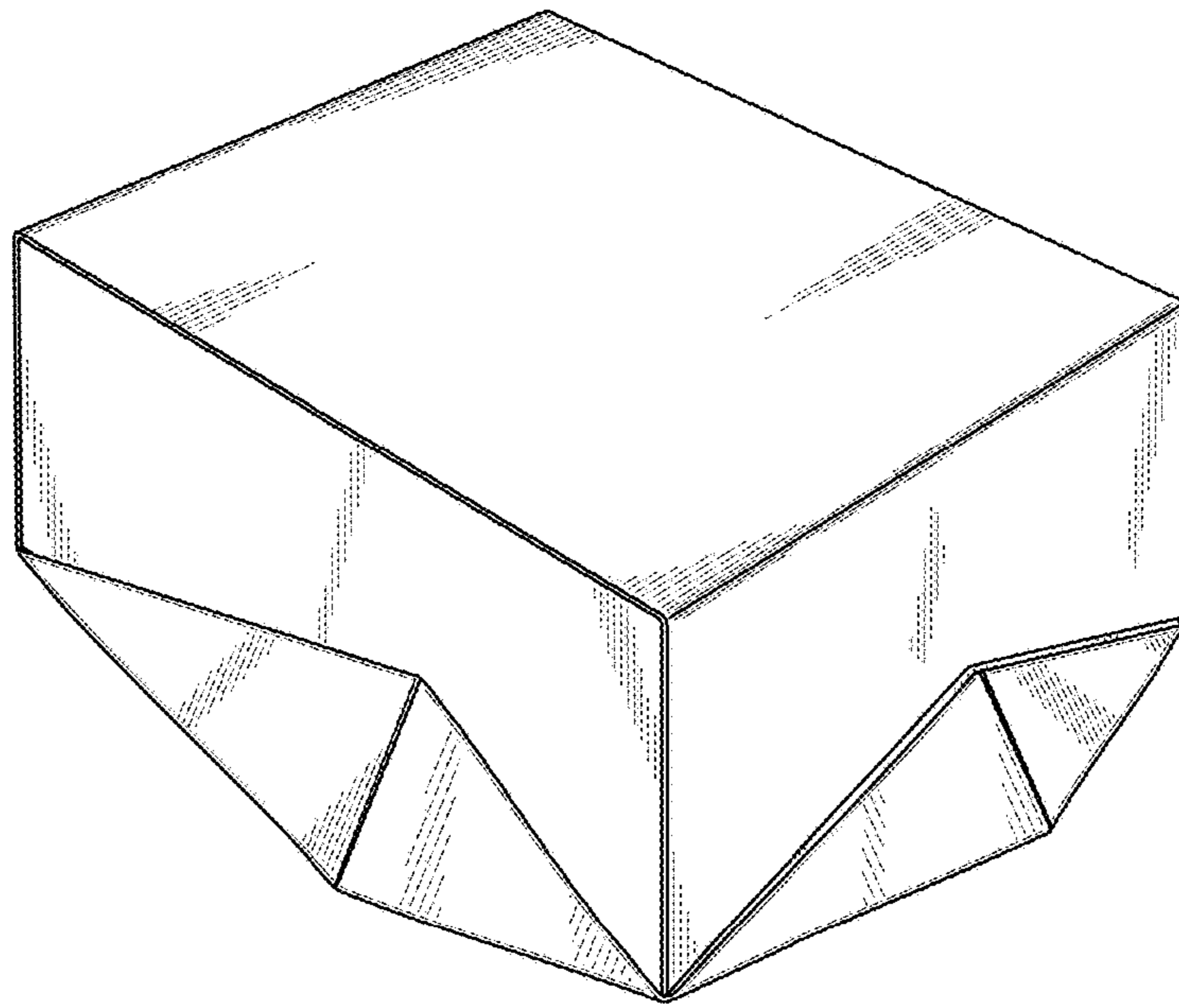


FIG. 1

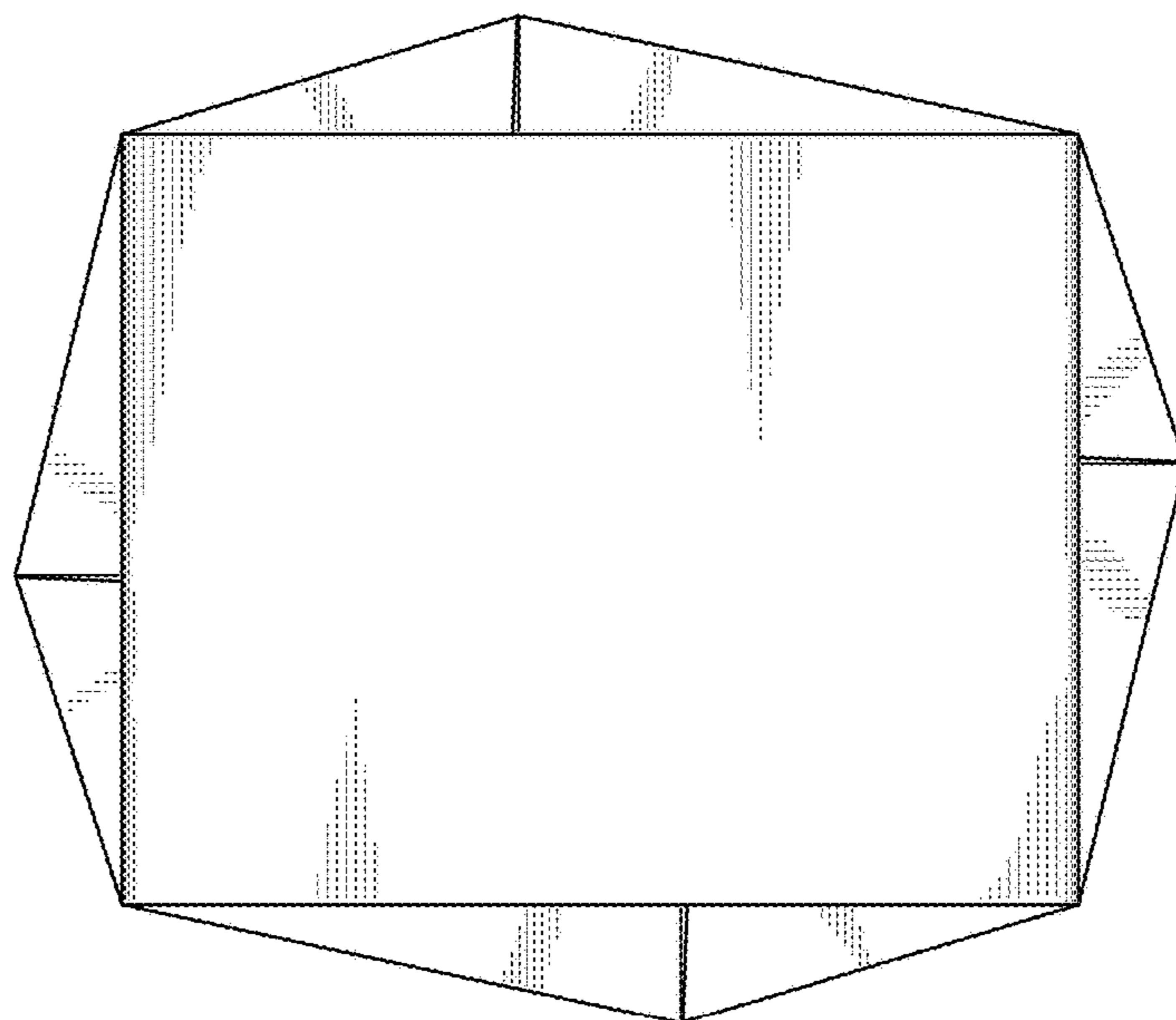


FIG. 2

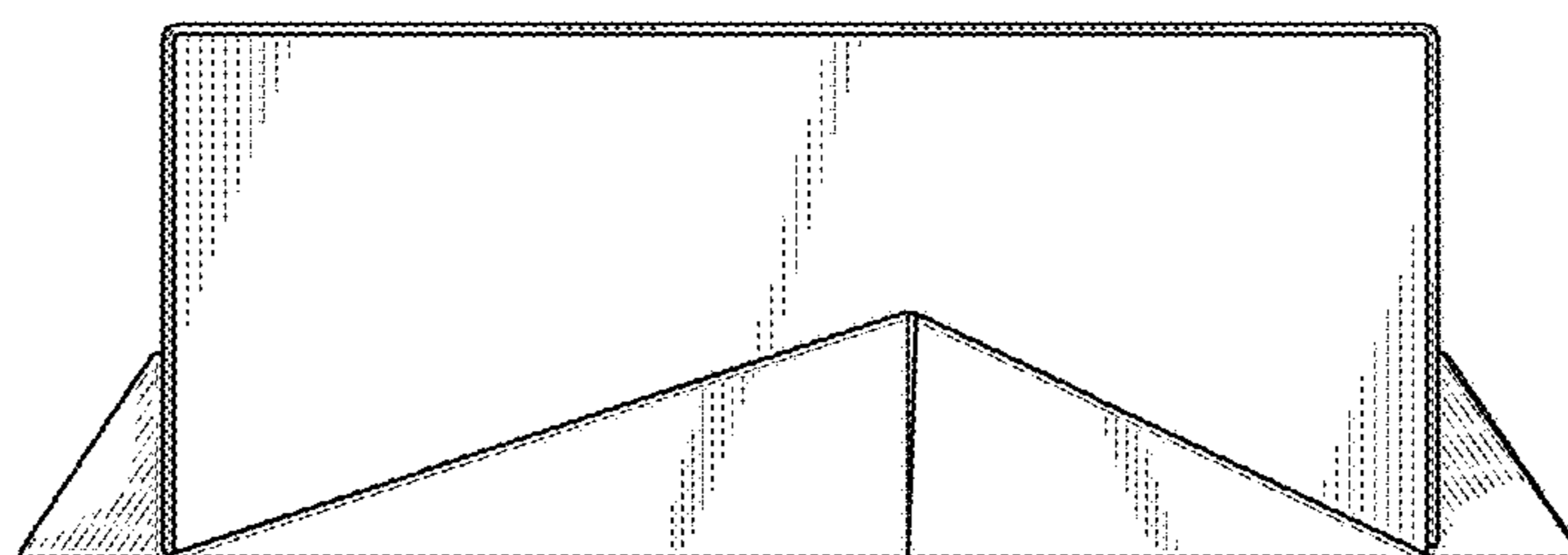


FIG. 3

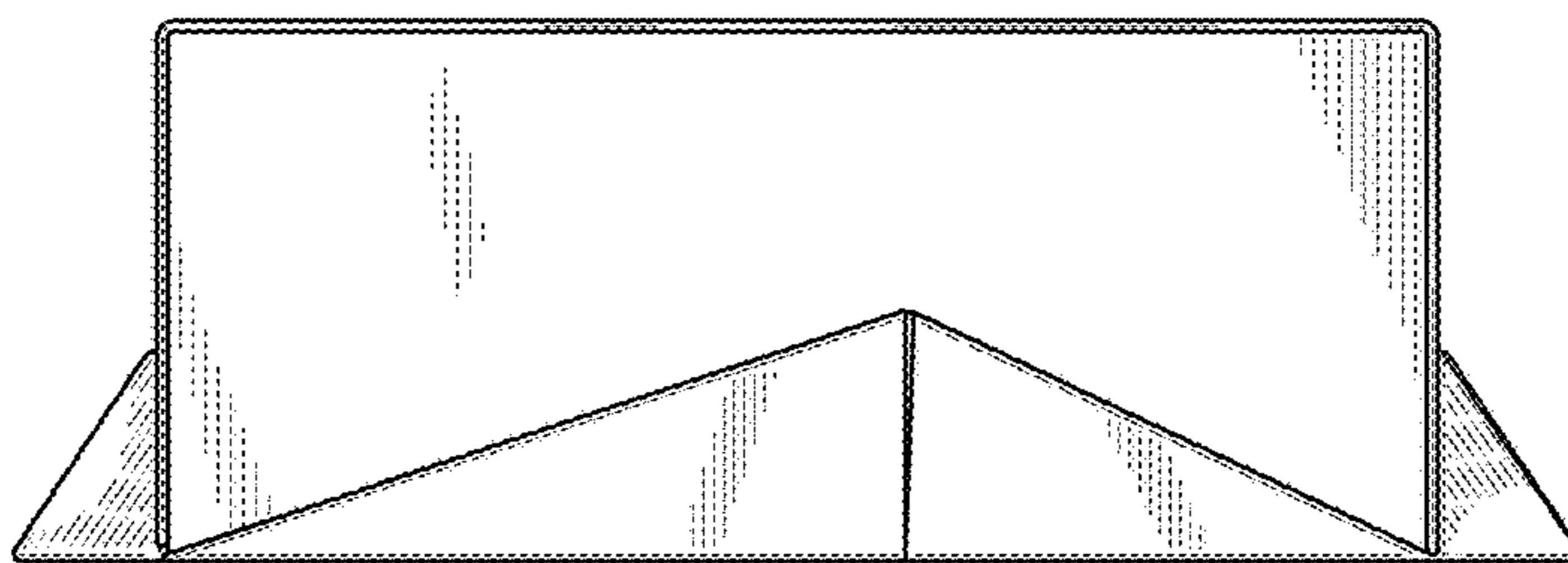


FIG. 4

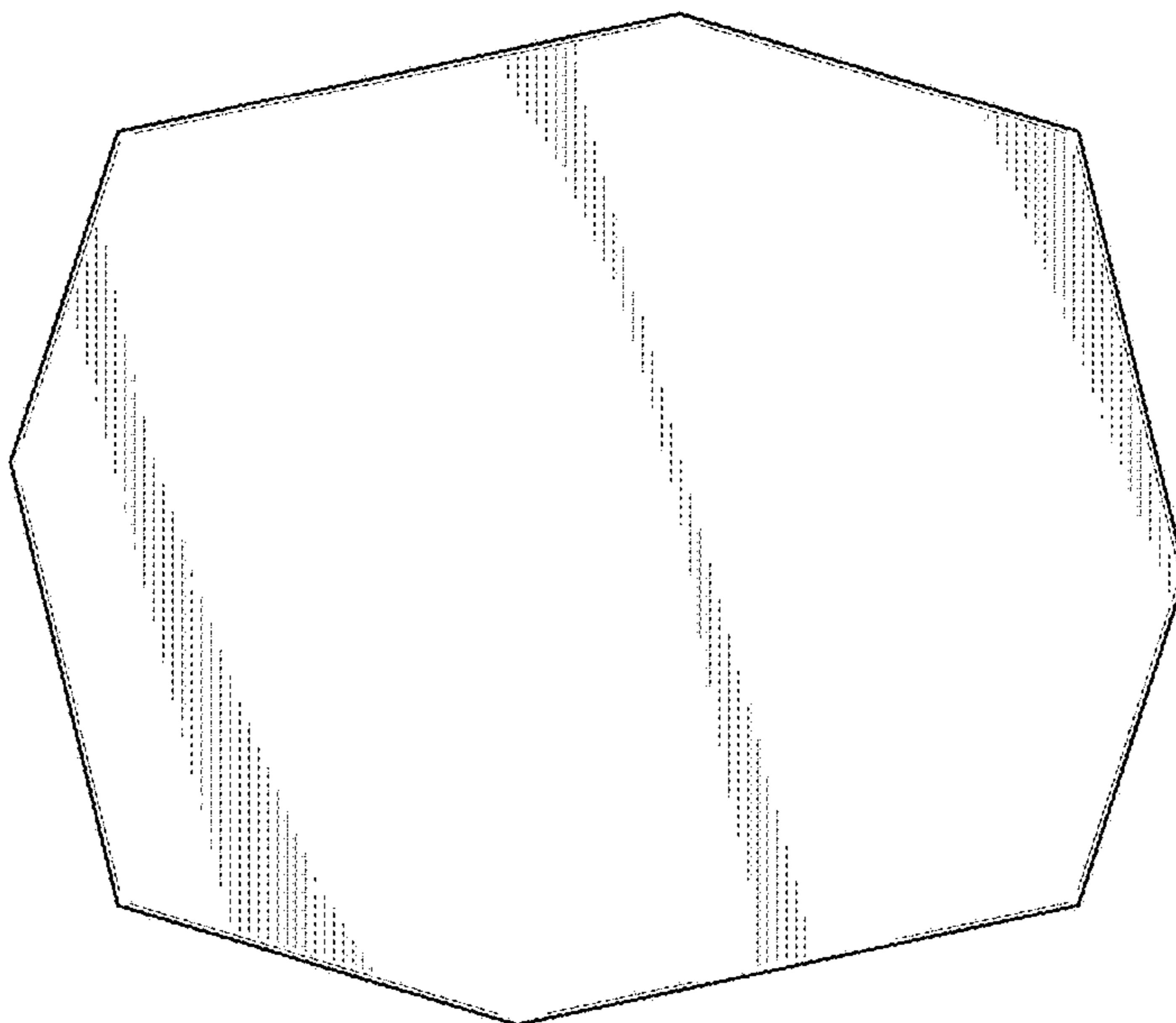


FIG. 5

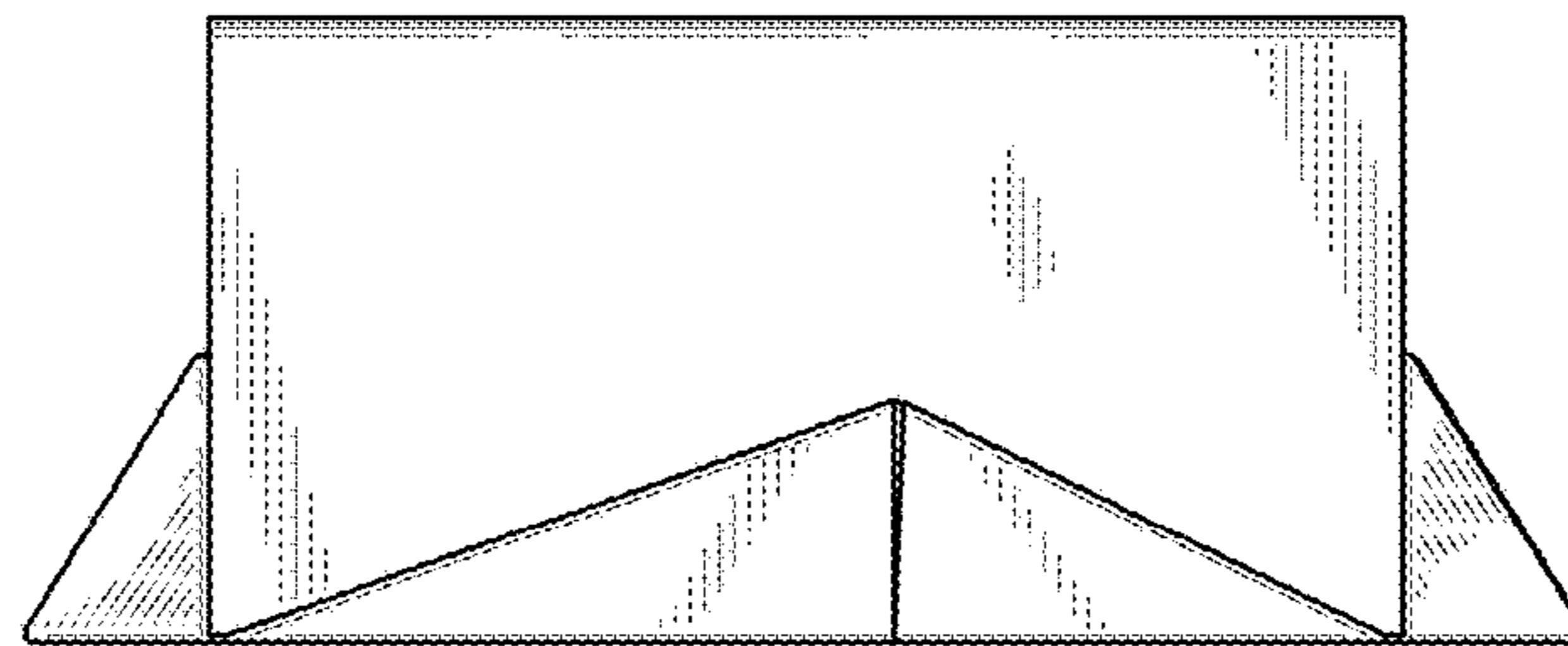


FIG. 6

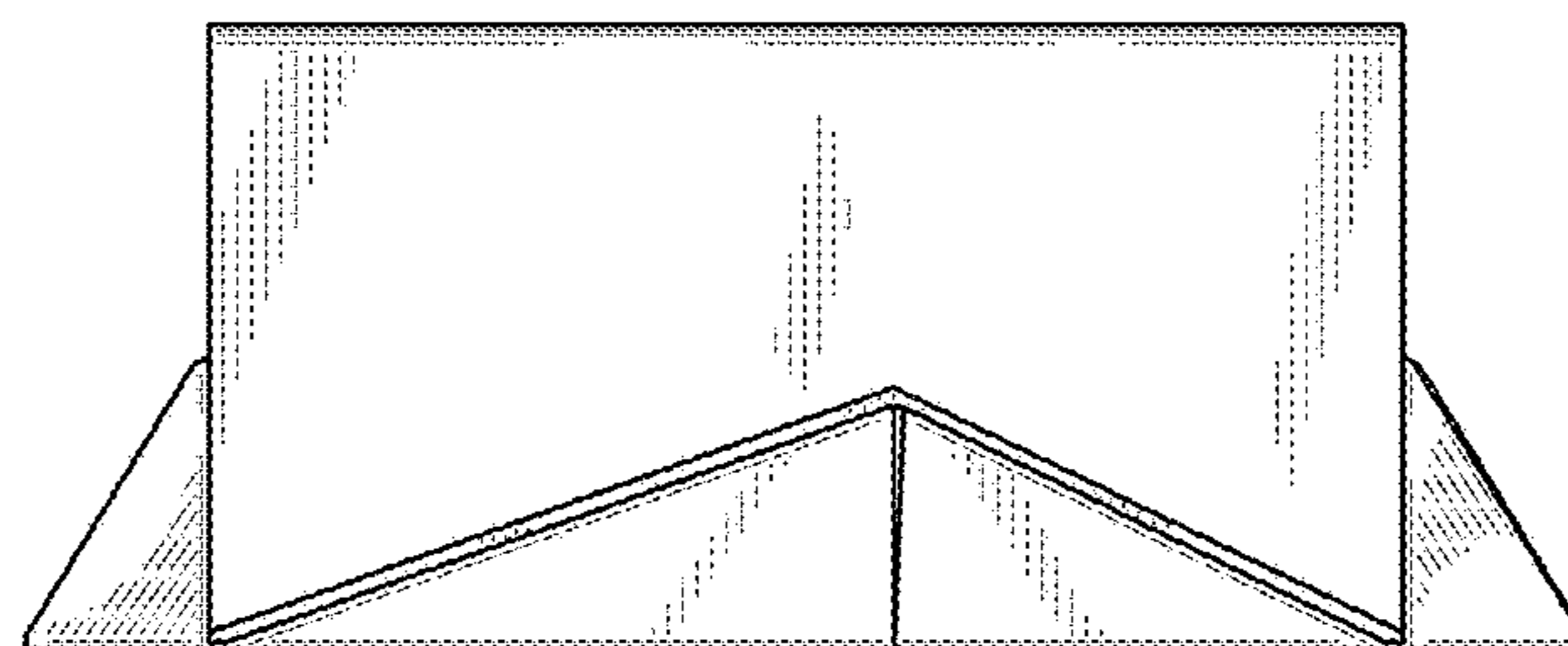


FIG. 7

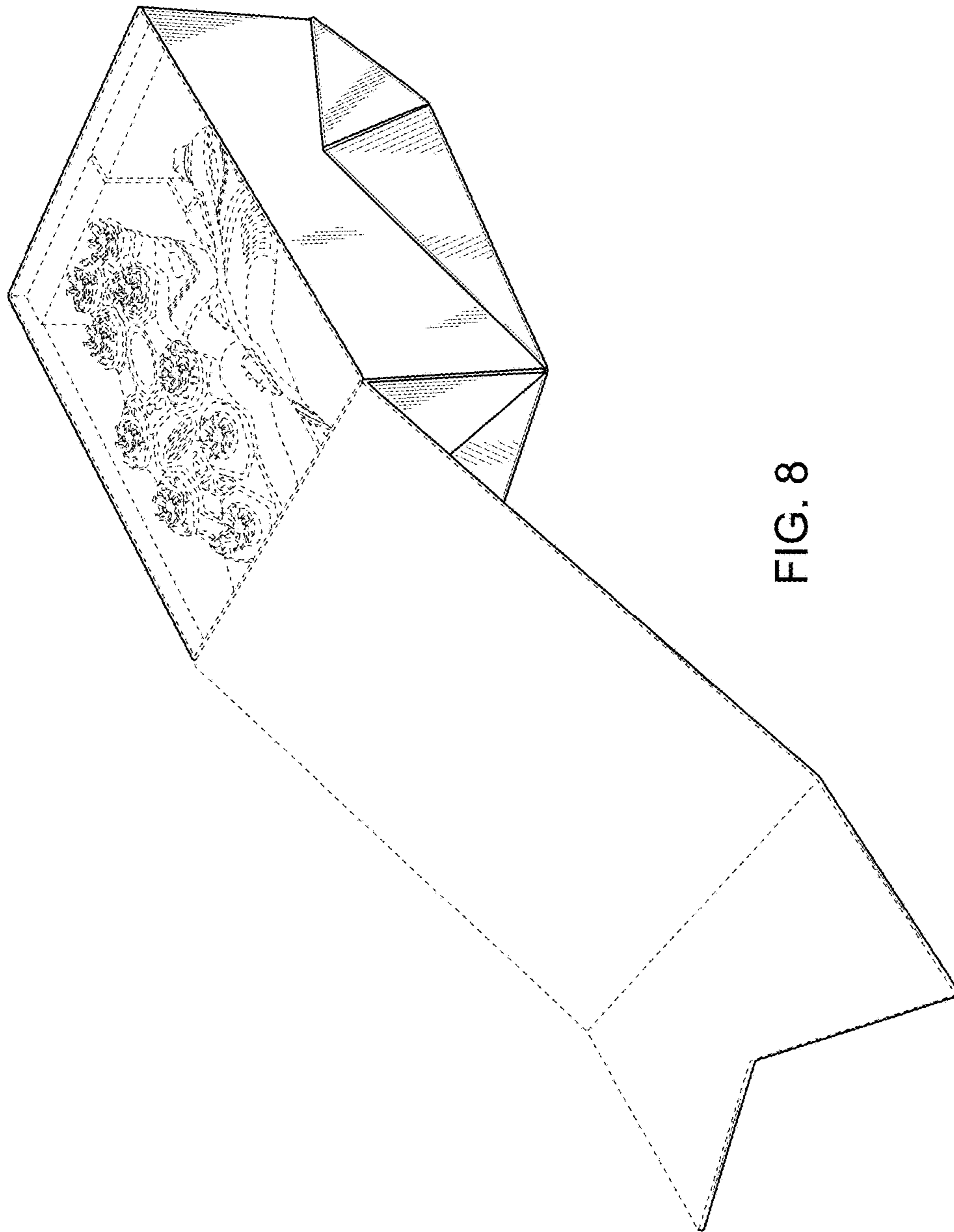


FIG. 8