



US00D866310S

(12) **United States Design Patent**
Hikoyama

(10) **Patent No.:** **US D866,310 S**

(45) **Date of Patent:** **** Nov. 12, 2019**

(54) **PIPE CLAMP**

(71) Applicant: **Susumu Hikoyama**, Tokyo (JP)

(72) Inventor: **Susumu Hikoyama**, Tokyo (JP)

(**) Term: **15 Years**

(21) Appl. No.: **29/580,569**

(22) Filed: **Oct. 11, 2016**

(51) **LOC (12) Cl.** **08-08**

(52) **U.S. Cl.**
USPC **D8/394**

(58) **Field of Classification Search**
USPC D8/394-396, 71-72, 79; D23/262-265;
D25/199; D12/415
CPC F16L 3/1075; F16L 3/2336; F16L 3/12;
F16L 55/18; F16L 21/06; F16L 17/00;
F16L 23/00; F16B 11/006; F16B 5/06;
F16B 19/04; F16B 19/10; A44C 5/22;
A42B 3/14; B65H 59/00; B60R 21/20;
B60J 3/02

See application file for complete search history.

(56) **References Cited**

U.S. PATENT DOCUMENTS

D173,434 S *	11/1954	Horowitz	D25/68
D174,150 S *	3/1955	Weller et al.	D25/68
3,463,428 A *	8/1969	Kindorf	F16L 3/227
				248/340
3,486,726 A *	12/1969	Kindorf	F16L 3/24
				248/228.2
3,527,432 A *	9/1970	Lytle	F16L 3/10
				248/62
3,547,385 A *	12/1970	Kindorf	F16L 3/221
				248/62

(Continued)

FOREIGN PATENT DOCUMENTS

KR 300897483-0000 * 3/2017

OTHER PUBLICATIONS

Red Flag website Unistrut Pipe Clamps, website 2018, <https://www.redflagproducts.com/unistrut-pipe-clamps.html>, site visited May 22, 2018 (Year: 2018).*

(Continued)

Primary Examiner — John Windmuller

Assistant Examiner — John R Yeh

(74) *Attorney, Agent, or Firm* — Tracy Heims; Apex Juris, pllc.

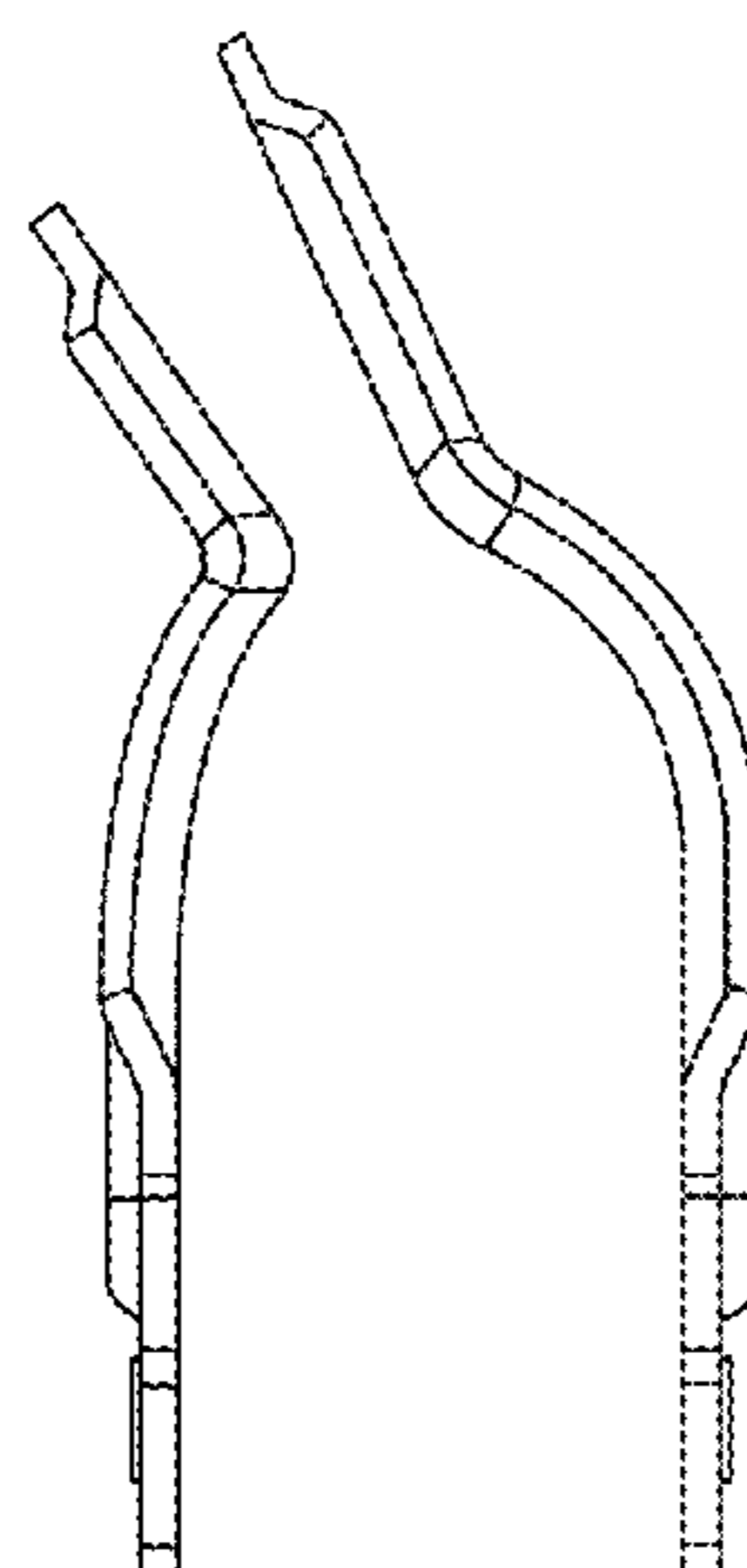
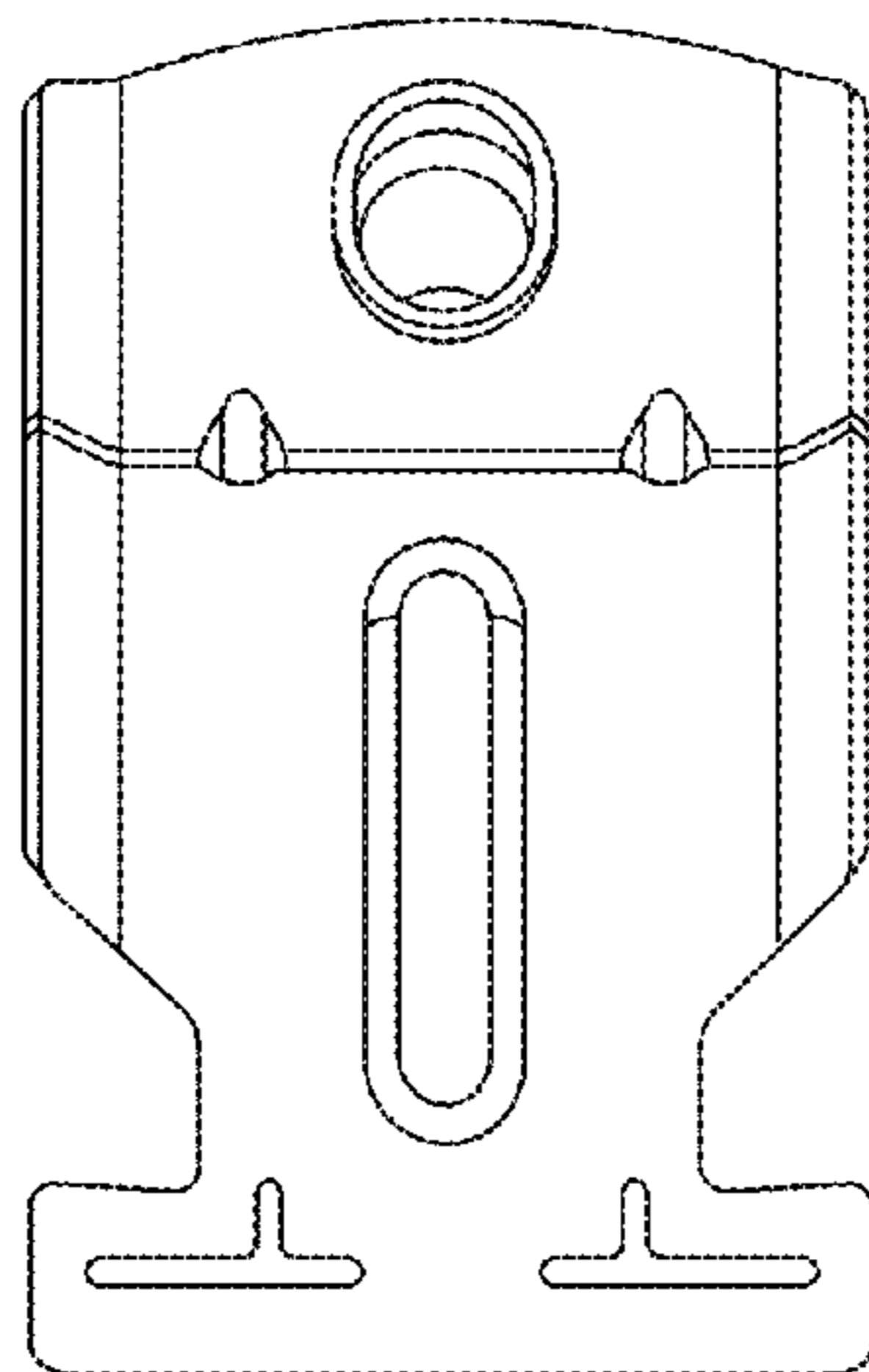
(57) **CLAIM**

The ornamental design for a pipe clamp, as shown and described.

DESCRIPTION

FIG. 1 is a front view of the pipe clamp without a bolt.
 FIG. 2 is a rear view of the pipe clamp without a bolt.
 FIG. 3 is a side view of the pipe clamp without a bolt.
 FIG. 4 is an opposite side view of the pipe clamp without a bolt.
 FIG. 5 is a top view of the pipe clamp without a bolt.
 FIG. 6 is a bottom view of the pipe clamp without a bolt.
 FIG. 7 is an elevated perspective view of the pipe clamp without a bolt.
 FIG. 8 is an alternate and opposite side elevated perspective view of the pipe clamp without a bolt.
 FIG. 9 is a front view of the pipe clamp with a bolt.
 FIG. 10 is a rear view of the pipe clamp with a bolt.
 FIG. 11 is a side view of the pipe clamp with a bolt.
 FIG. 12 is an opposite side view of the pipe clamp with a bolt.
 FIG. 13 is a top view of the pipe clamp with a bolt.
 FIG. 14 is a bottom view of the pipe clamp with a bolt.
 FIG. 15 is an elevated perspective view of the pipe clamp with a bolt; and,
 FIG. 16 is an alternate opposite side elevated perspective view of the pipe clamp with a bolt.

1 Claim, 8 Drawing Sheets



(56)

References Cited

U.S. PATENT DOCUMENTS

4,157,800 A * 6/1979 Senter F16L 3/10
 24/20 TT
 D340,720 S * 10/1993 Yoder D14/238
 D342,951 S * 1/1994 Yoder D14/238
 D342,953 S * 1/1994 Yoder D14/238
 5,855,342 A * 1/1999 Hawkins F16L 3/24
 248/55
 6,602,016 B2 * 8/2003 Eckart F16L 3/1033
 403/110
 D538,148 S * 3/2007 Dinh D8/396
 D698,635 S * 2/2014 Yan D8/394
 D728,753 S * 5/2015 Hikoyama D23/265
 D732,382 S * 6/2015 Zalanca D8/394
 D747,181 S * 1/2016 Hikoyama D8/394
 D773,271 S * 12/2016 Slagle D8/72
 D790,332 S * 6/2017 Dresser, III D8/394
 D793,852 S * 8/2017 Rathman D8/395
 D811,869 S * 3/2018 Gallion D8/394
 D813,660 S * 3/2018 Tyner D8/396
 2009/0272856 A1 * 11/2009 Azuma F16L 3/04
 248/73
 2014/0197284 A1 * 7/2014 Hikoyama F16L 3/24
 248/74.1

OTHER PUBLICATIONS

Rockier Pipe Clamp Mounting Brackets, website 2018, <http://www.rockler.com/rockler-pipe-clamp-mounting-brackets>, site visited May 22, 2018 (Year: 2018).*

* cited by examiner

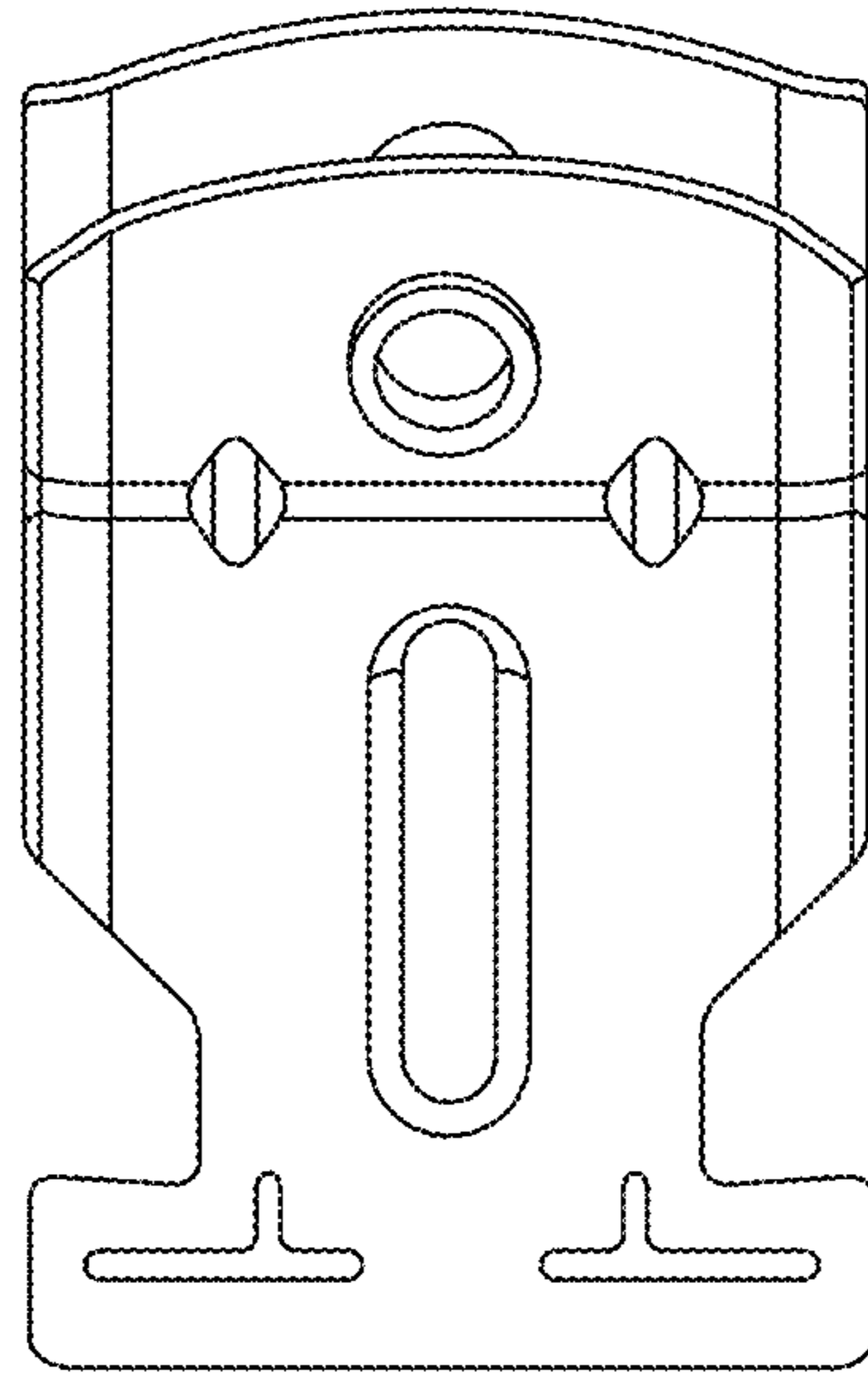


FIG. 1

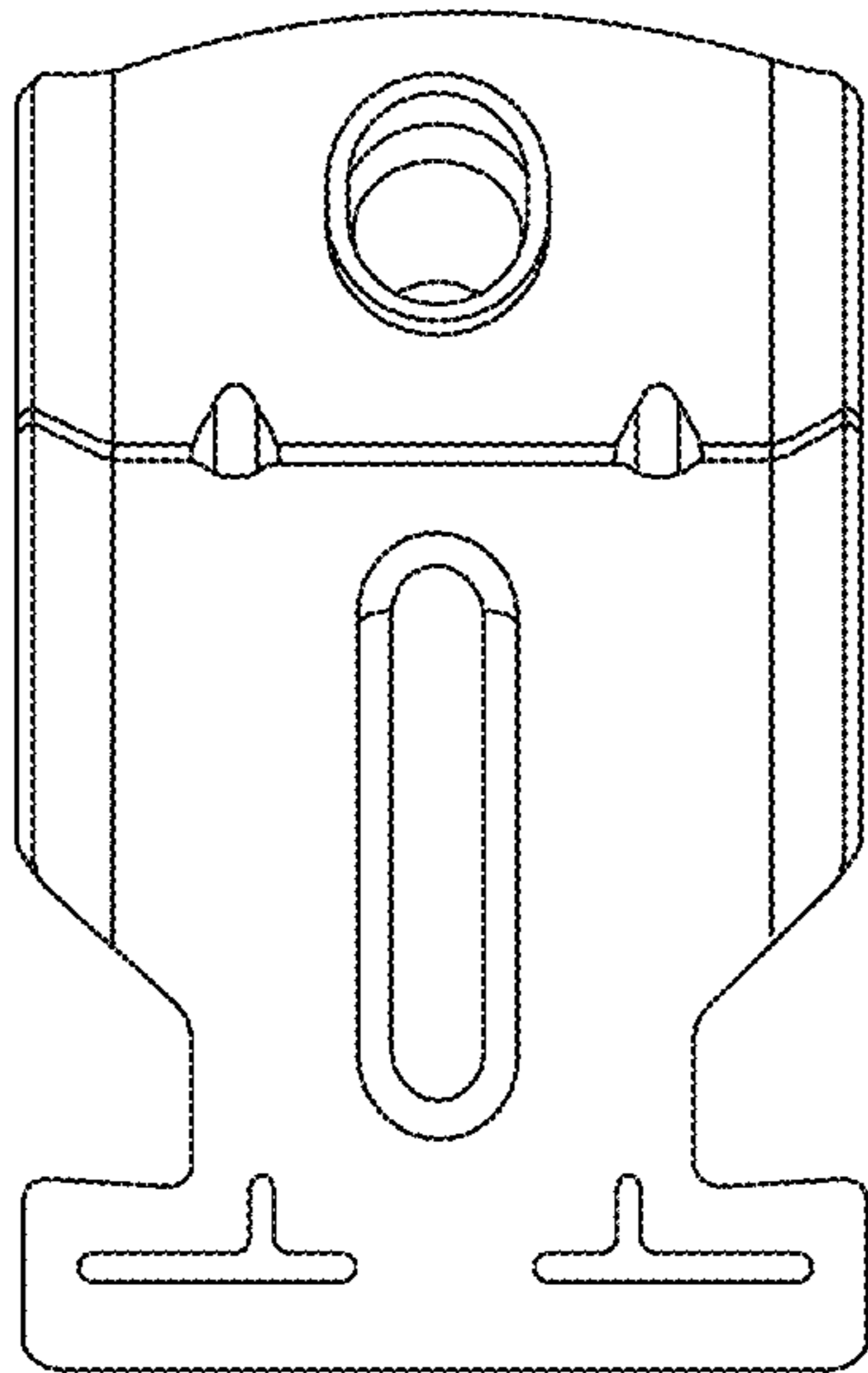


FIG. 2

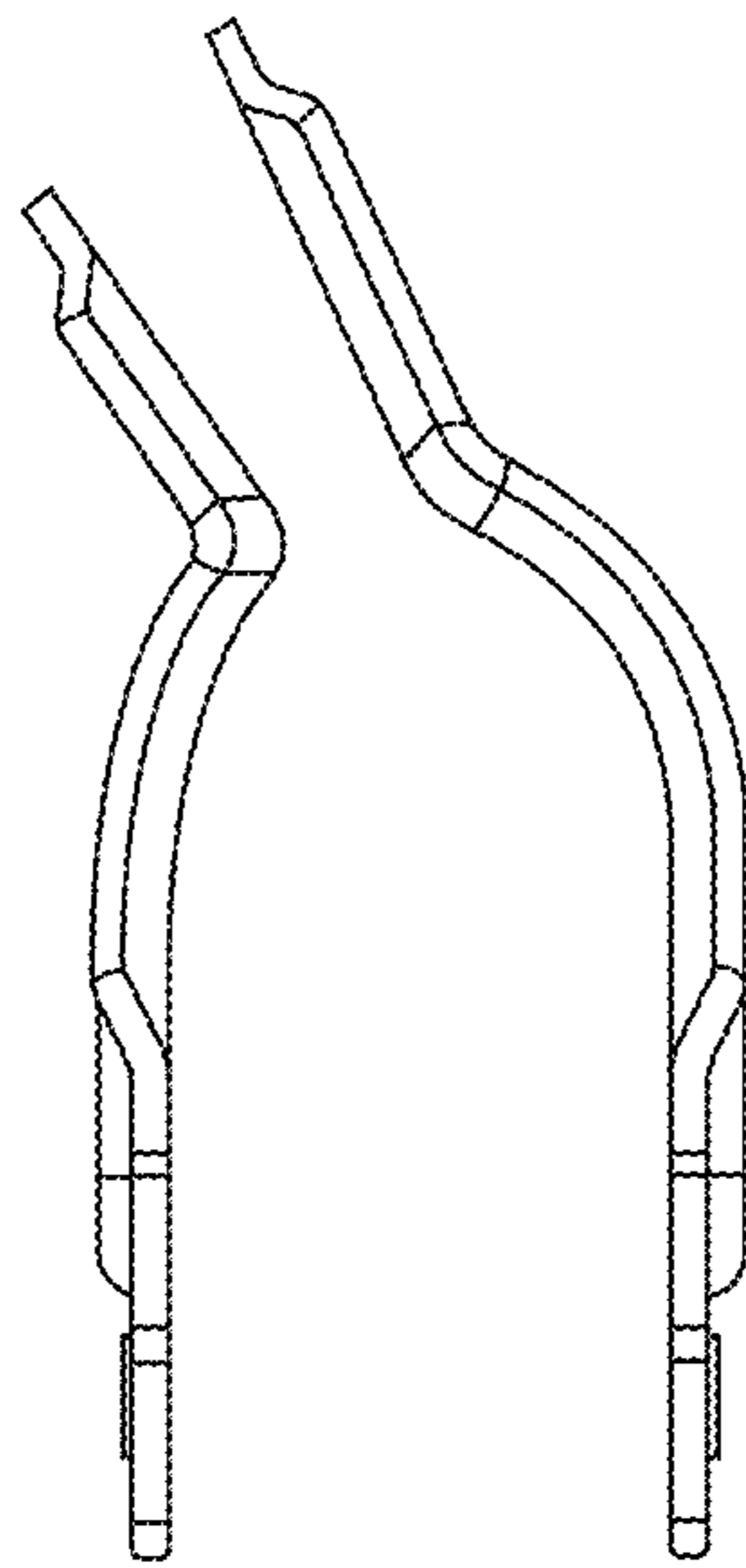


FIG. 3

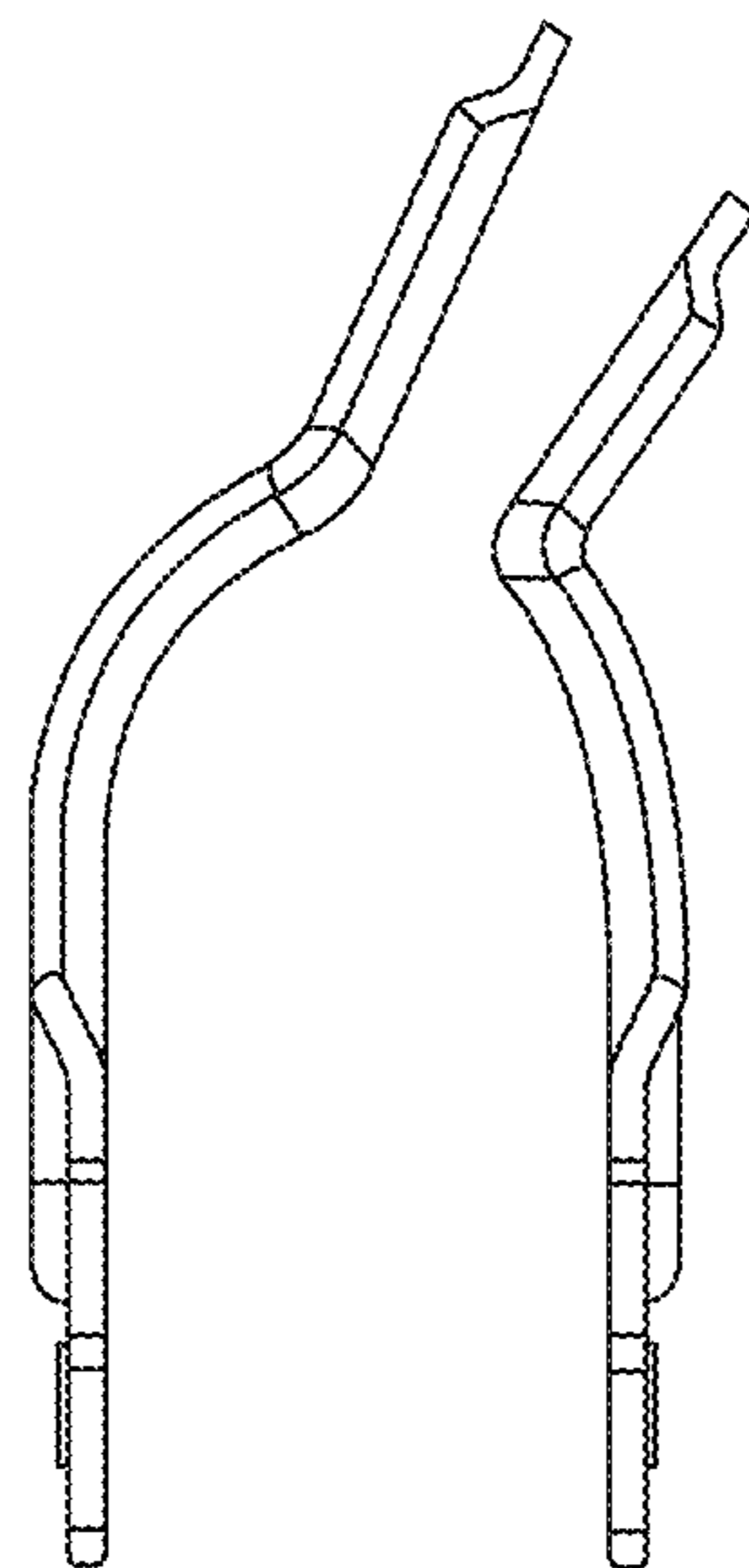


FIG. 4

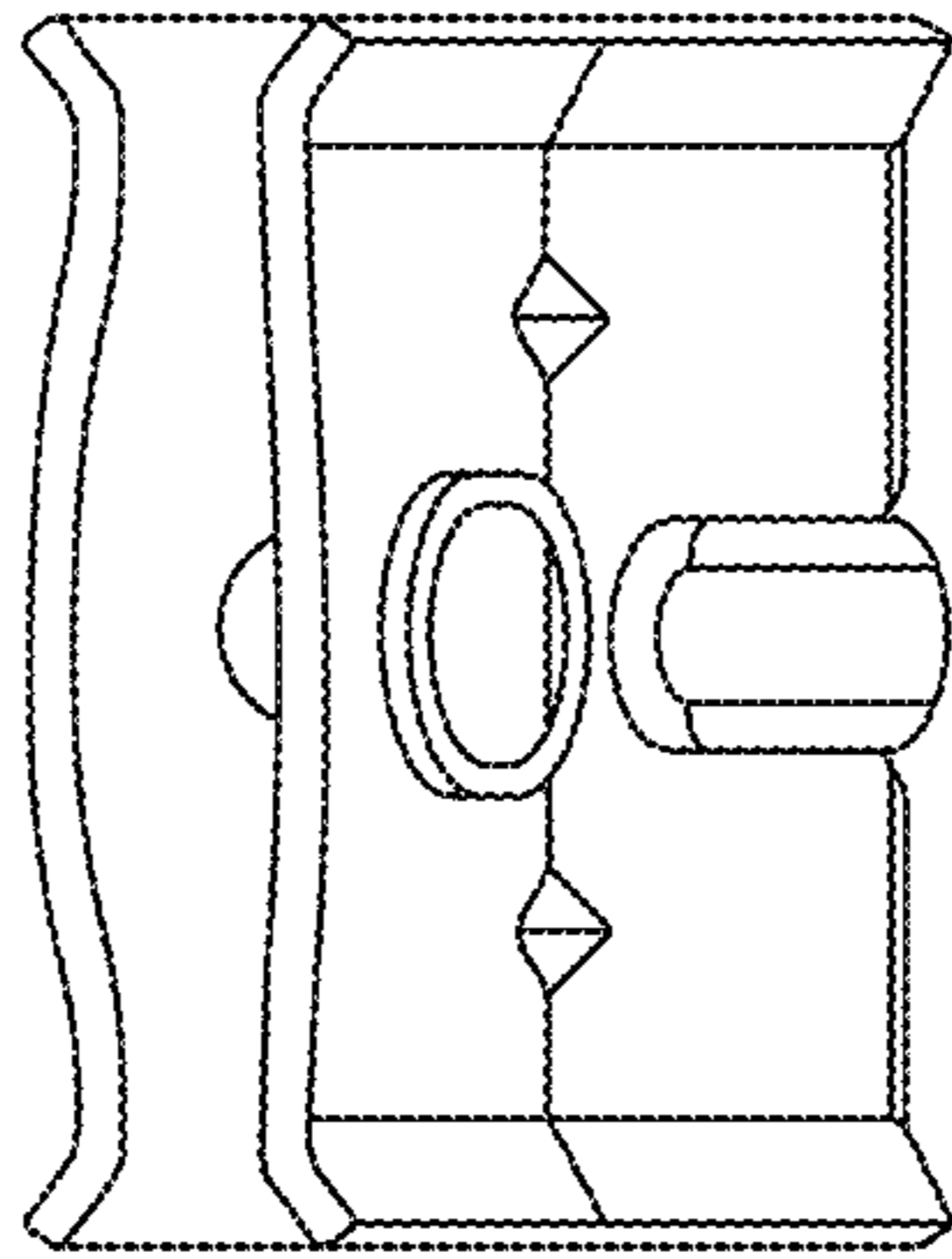


FIG. 5

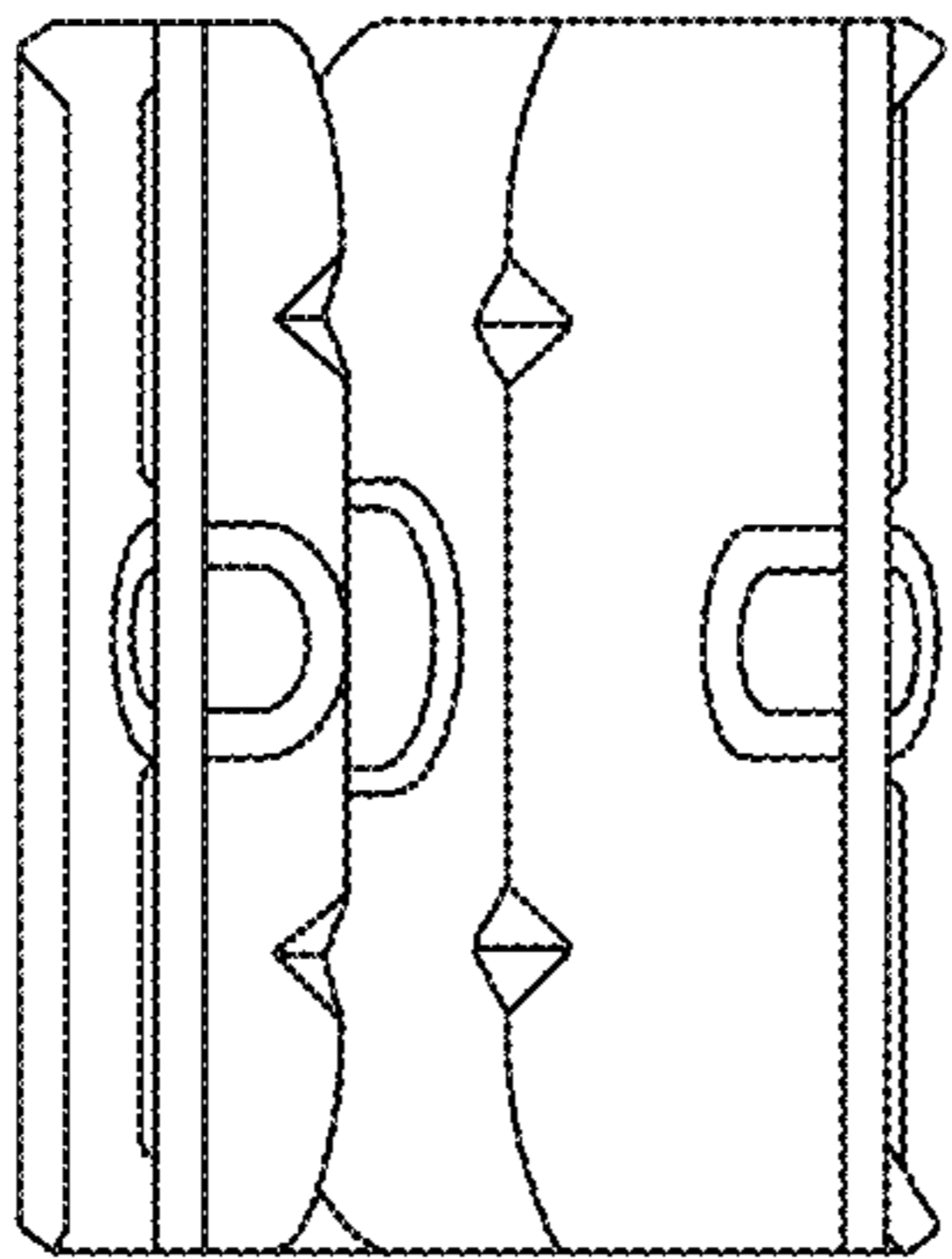


FIG. 6

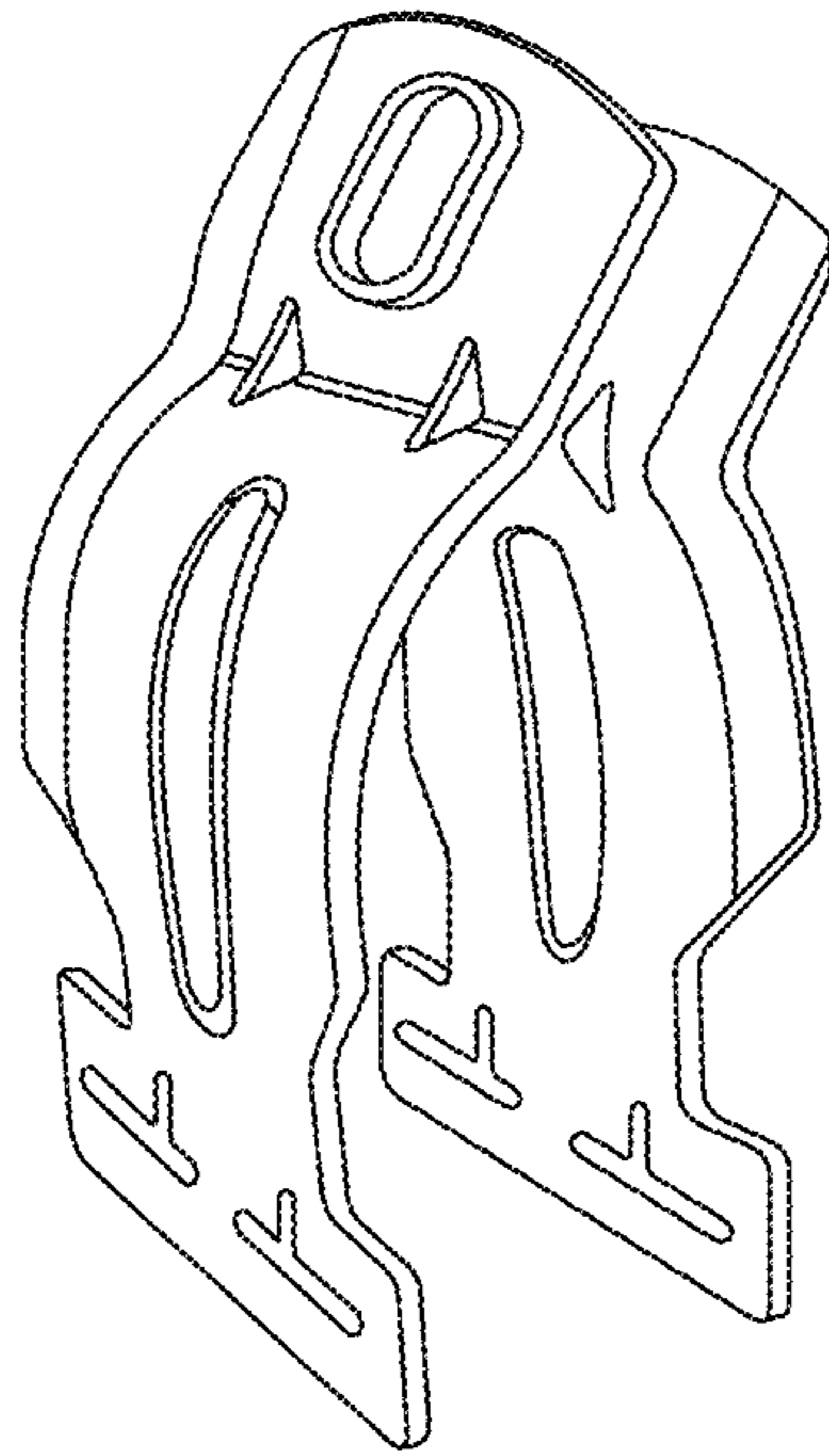


FIG. 7

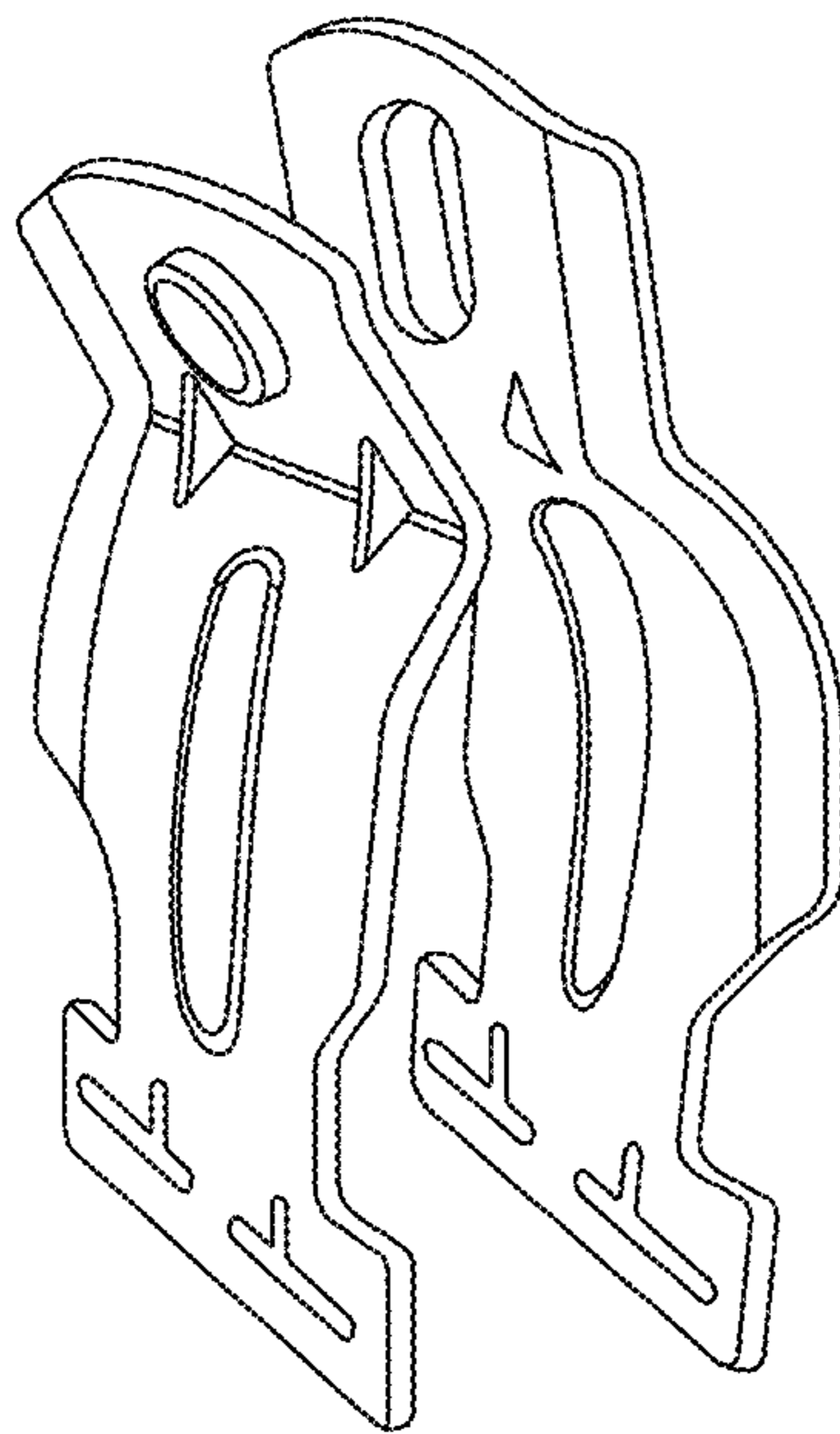


FIG. 8

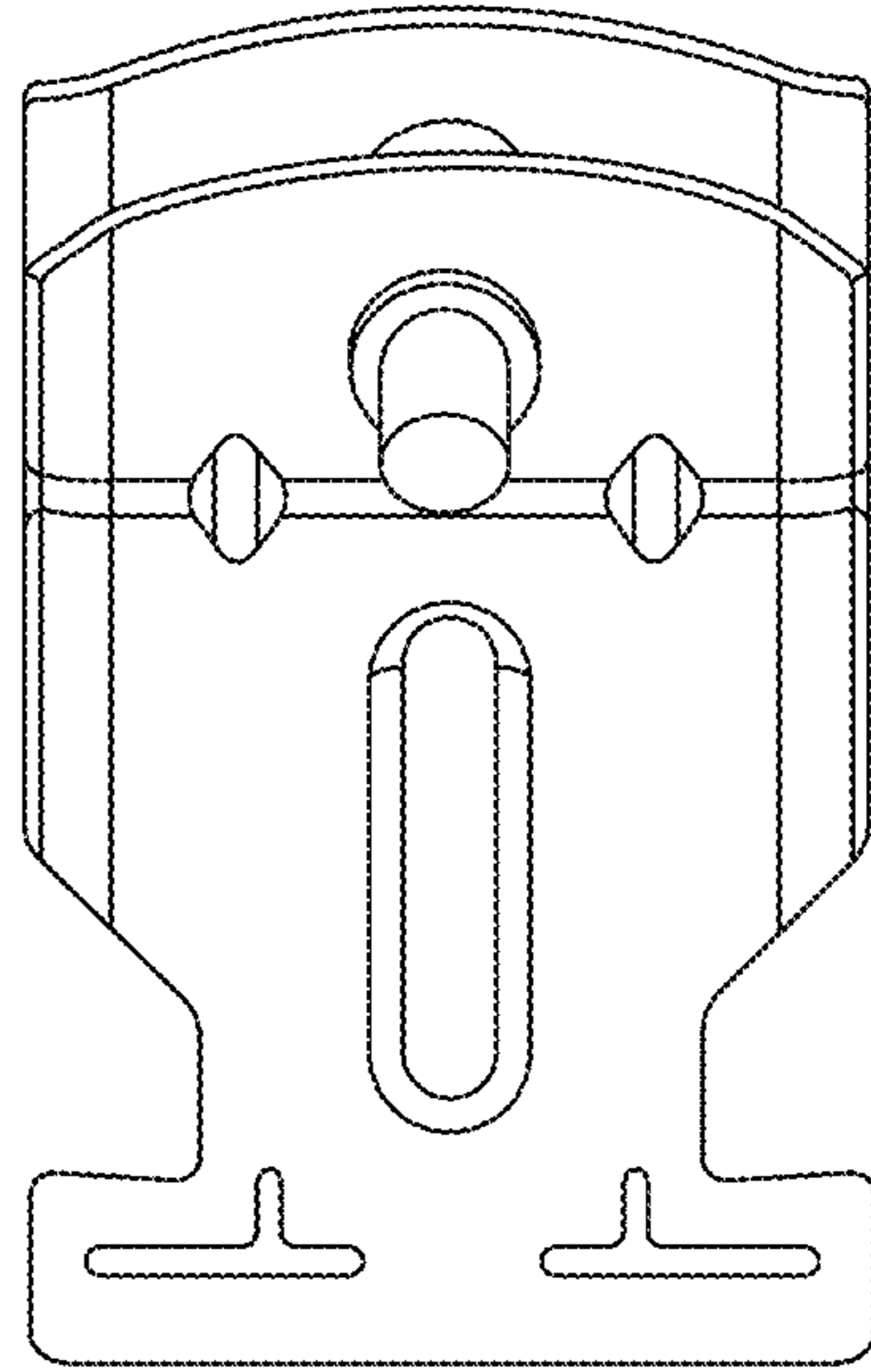


FIG. 9

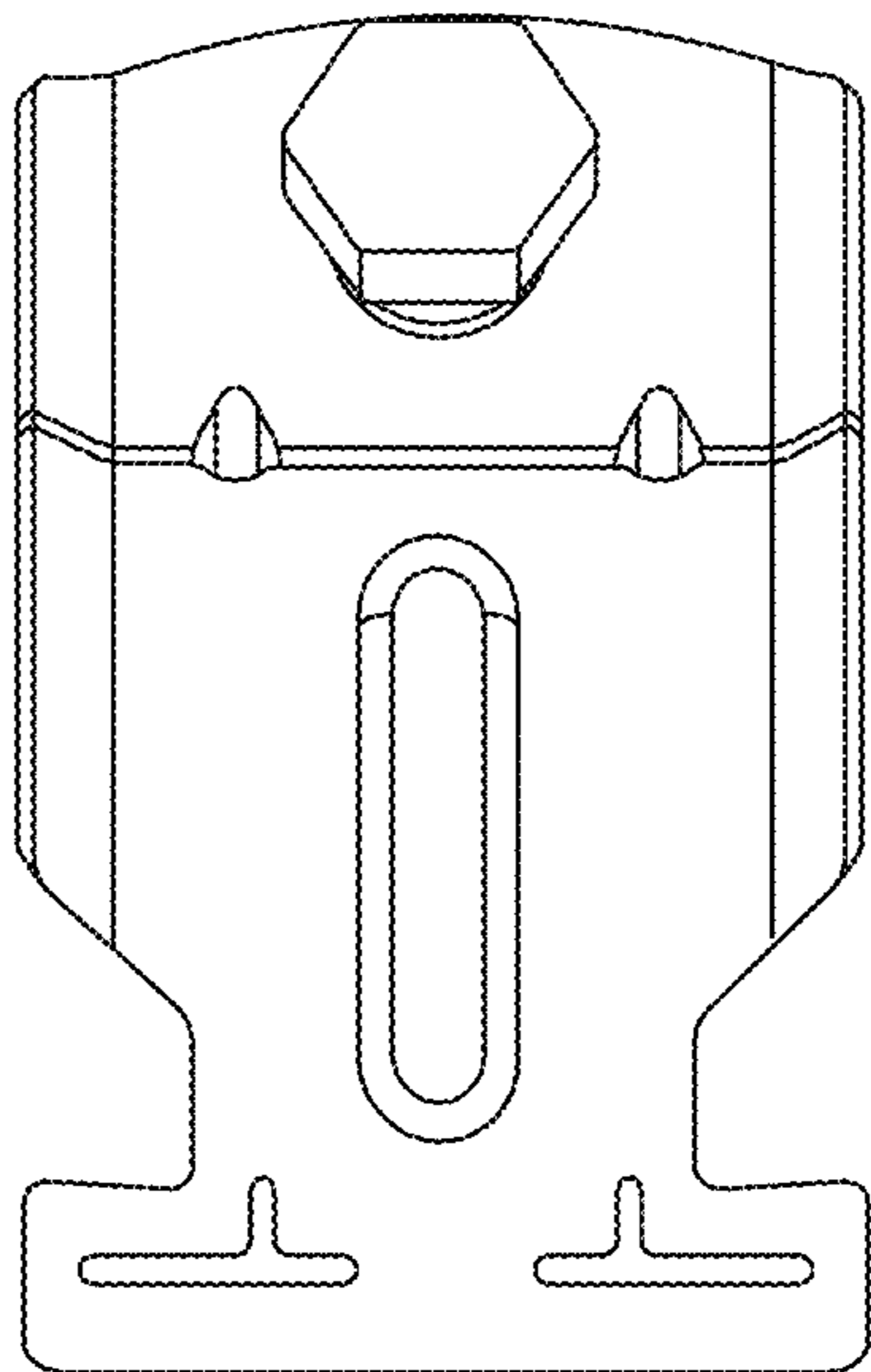


FIG. 10

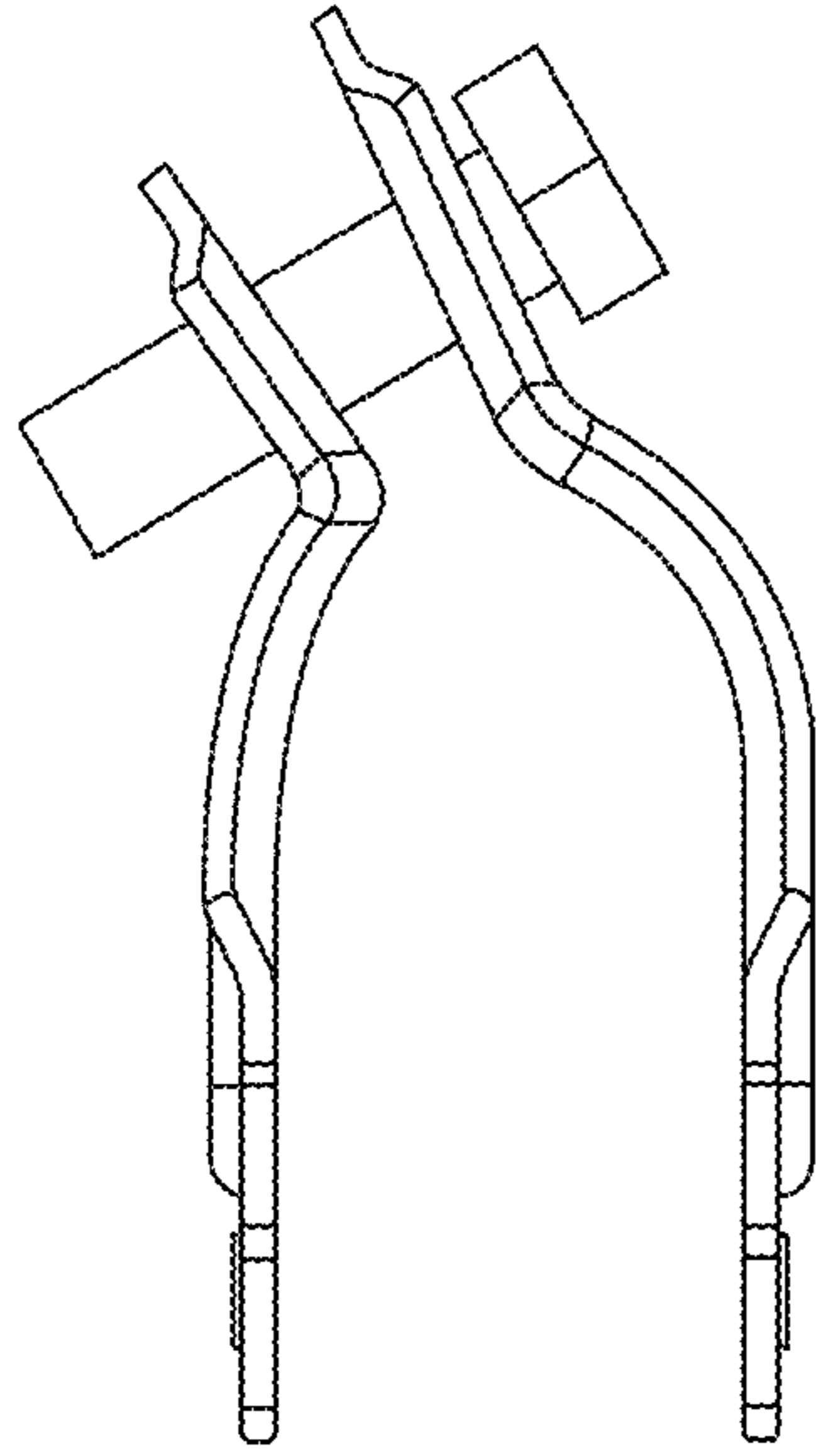


FIG. 11

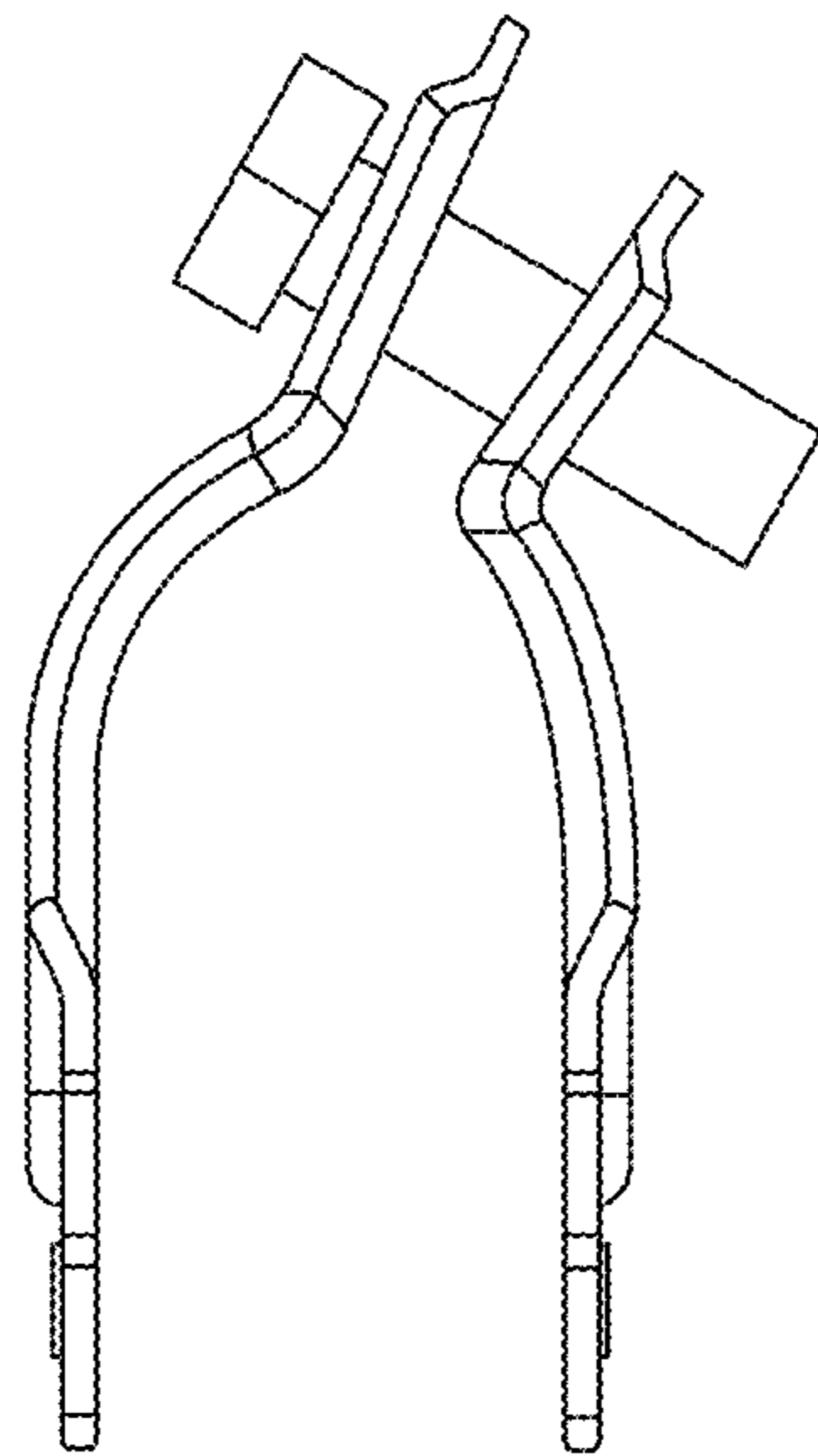


FIG. 12

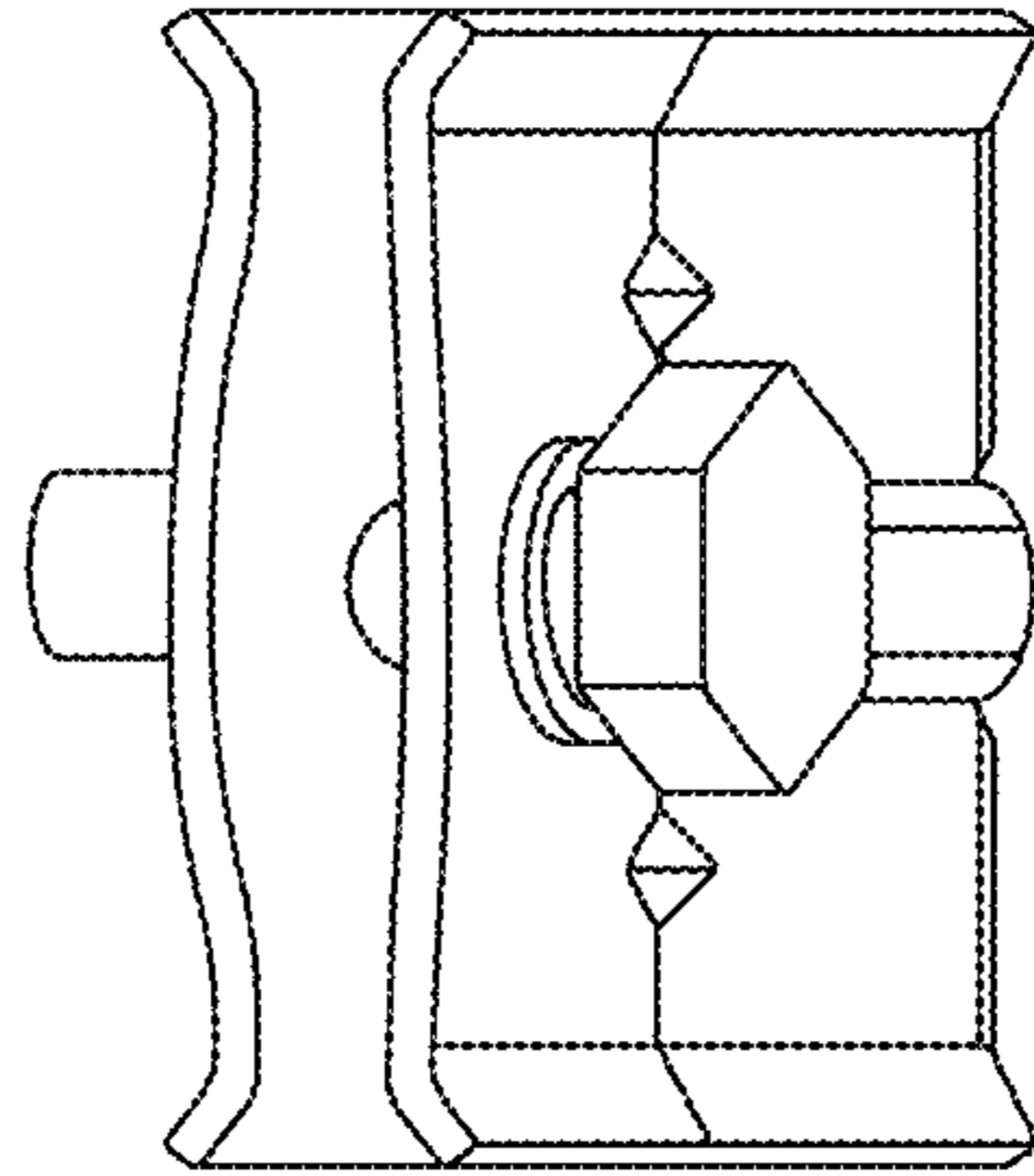


FIG. 13

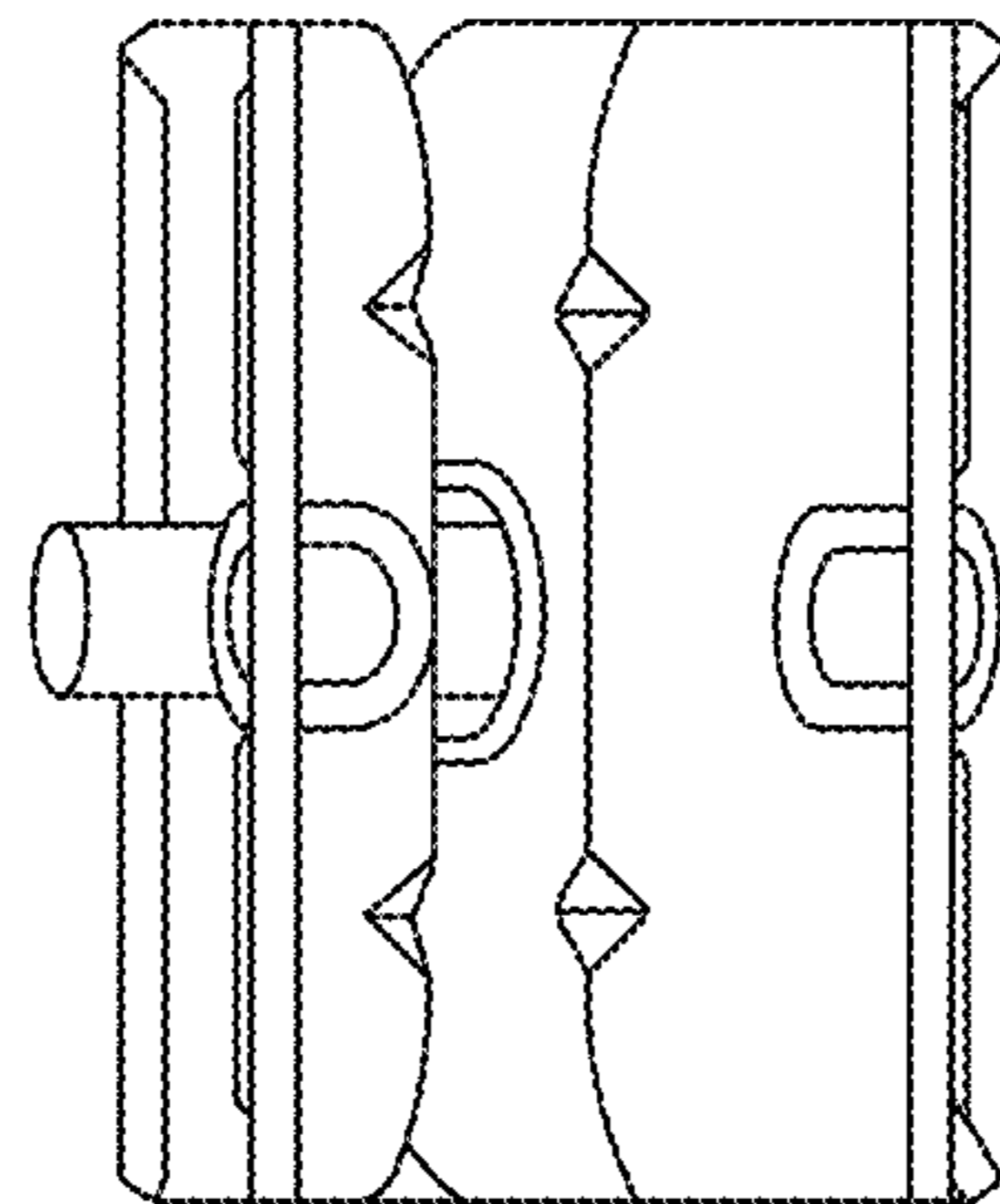


FIG. 14

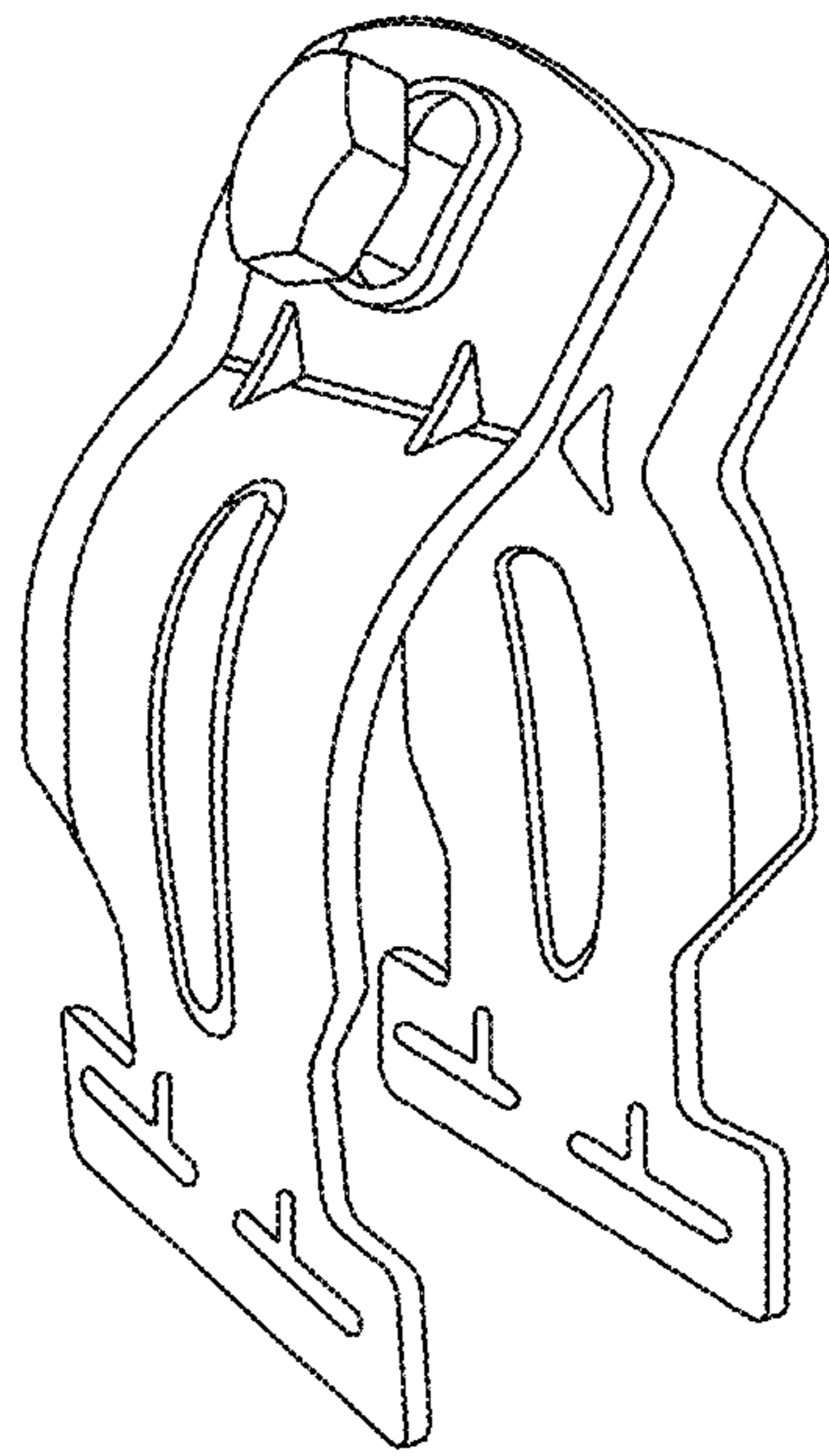


FIG. 15

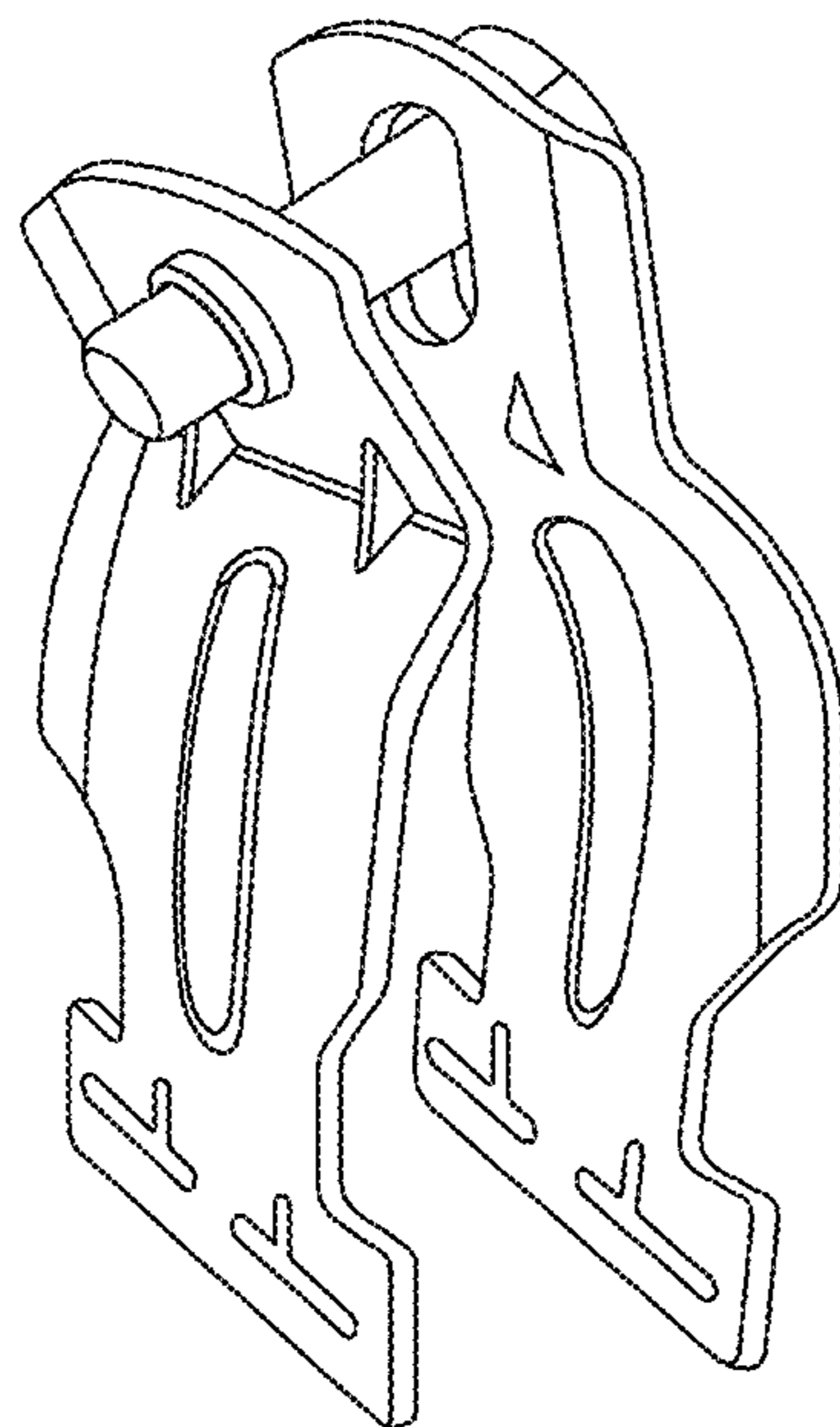


FIG. 16