



US00D866307S

(12) **United States Design Patent** (10) **Patent No.:** **US D866,307 S**  
**Wang** (45) **Date of Patent:** **\*\* \*Nov. 12, 2019**

(54) **FASTENER** D494,458 S \* 8/2004 Aukzemas ..... D8/387  
D502,644 S \* 3/2005 Ellis ..... D8/382  
(71) Applicant: **FIVETECH TECHNOLOGY INC.,** D680,000 S \* 4/2013 Miceli ..... D9/441  
New Taipei (TW) D681,434 S \* 5/2013 Wang ..... D8/387  
2004/0165966 A1 \* 8/2004 Aukzemas ..... F16B 5/0208  
411/353  
(72) Inventor: **Ting-Jui Wang,** New Taipei (TW) 2008/0314900 A1 \* 12/2008 Biesecker ..... B65D 41/0492  
220/212  
(73) Assignee: **FIVETECH TECHNOLOGY INC.,** 2009/0202318 A1 \* 8/2009 Wang ..... F16B 5/0208  
New Taipei (TW) 411/295  
2012/0224935 A1 \* 9/2012 Chiu ..... F16B 5/0266  
411/352  
(\* ) Notice: This patent is subject to a terminal dis- 2016/0031615 A1 \* 2/2016 Miceli ..... A61J 1/1437  
claimer. 53/420

(\*\*) Term: **15 Years**

\* cited by examiner

(21) Appl. No.: **29/560,474**

*Primary Examiner* — Sandra S Snapp

(22) Filed: **Apr. 7, 2016**

*Assistant Examiner* — Ieisha N Price

(51) **LOC (12) Cl.** ..... **08-08**

(74) *Attorney, Agent, or Firm* — Schmeiser, Olsen & Watts, LLP

(52) **U.S. Cl.** ..... **D8/382**  
USPC .....

(57) **CLAIM**

(58) **Field of Classification Search**  
USPC ..... D8/354, 382, 387, 395, 499; D9/434,  
D9/435, 452, 453, 499  
CPC ..... F16B 41/002; F16B 5/0208; F16B 39/28;  
Y10S 411/97; Y10S 411/999; B65D  
41/02; B65D 41/04; A61J 1/00; A61J  
1/03  
See application file for complete search history.

The ornamental design for a fastener, as shown and described.

**DESCRIPTION**

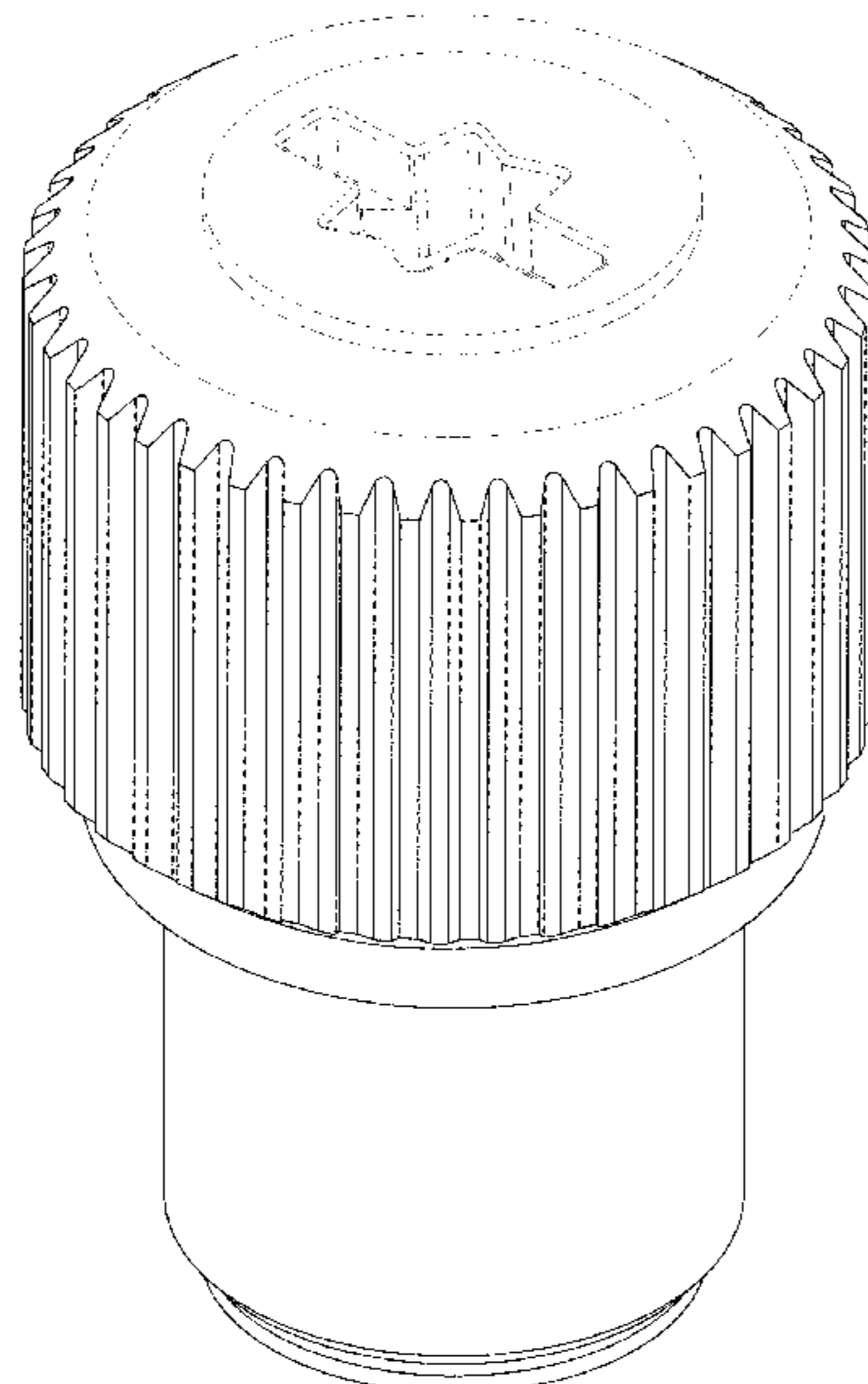
(56) **References Cited**

U.S. PATENT DOCUMENTS

D400,430 S \* 11/1998 McDonough ..... D8/312  
D469,005 S \* 1/2003 Ellis ..... D8/387  
D472,797 S \* 4/2003 Ellis ..... D8/387  
D480,950 S \* 10/2003 Ellis ..... D8/382  
D484,031 S \* 12/2003 Ellis ..... D8/387  
D492,895 S \* 7/2004 Ellis ..... D8/387  
D493,362 S \* 7/2004 Aukzemas ..... D8/387

FIG. 1 is a perspective view of a fastener showing my new design;  
FIG. 2 is a front elevation view thereof;  
FIG. 3 is a rear elevation view thereof;  
FIG. 4 is a left side elevation view thereof;  
FIG. 5 is a right side elevation view thereof;  
FIG. 6 is a top plan view thereof; and,  
FIG. 7 is a bottom plan view thereof.  
The broken lines in the drawings illustrate portions of the fastener and form no part of the claimed design. The dot-dot-dash broken lines in the drawings define the bounds of the claim and form no part thereof.

**1 Claim, 7 Drawing Sheets**



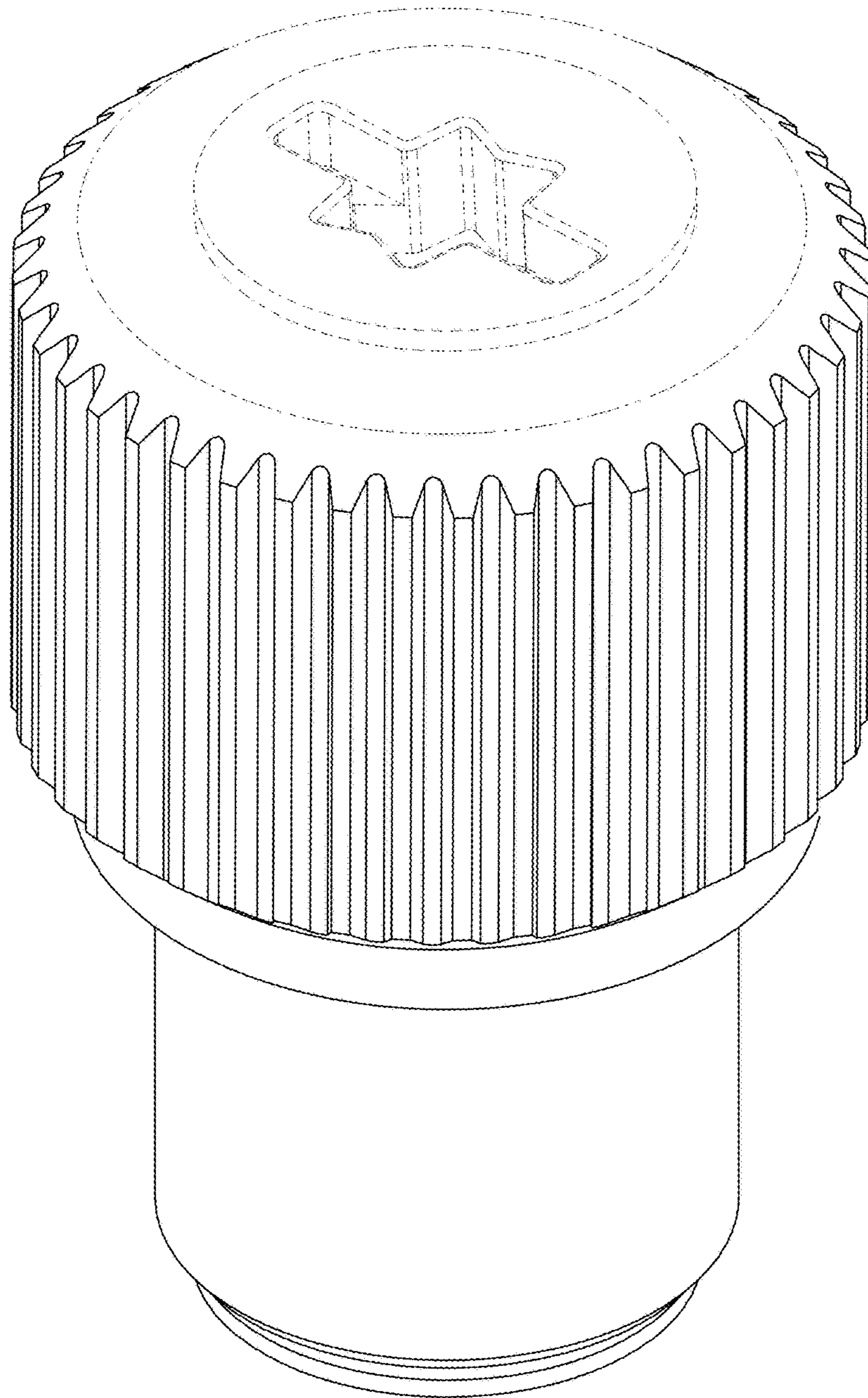


FIG.1

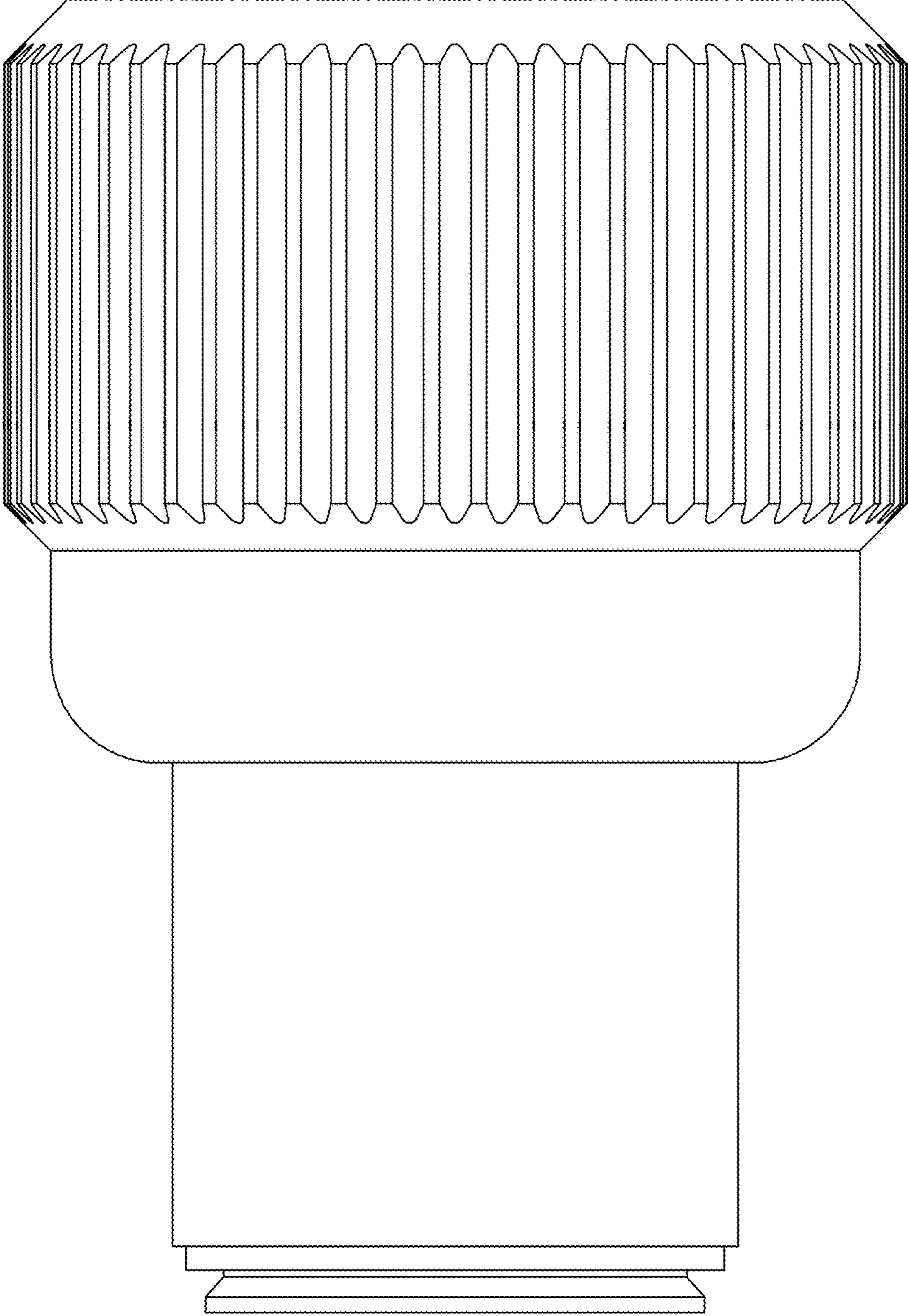


FIG.2



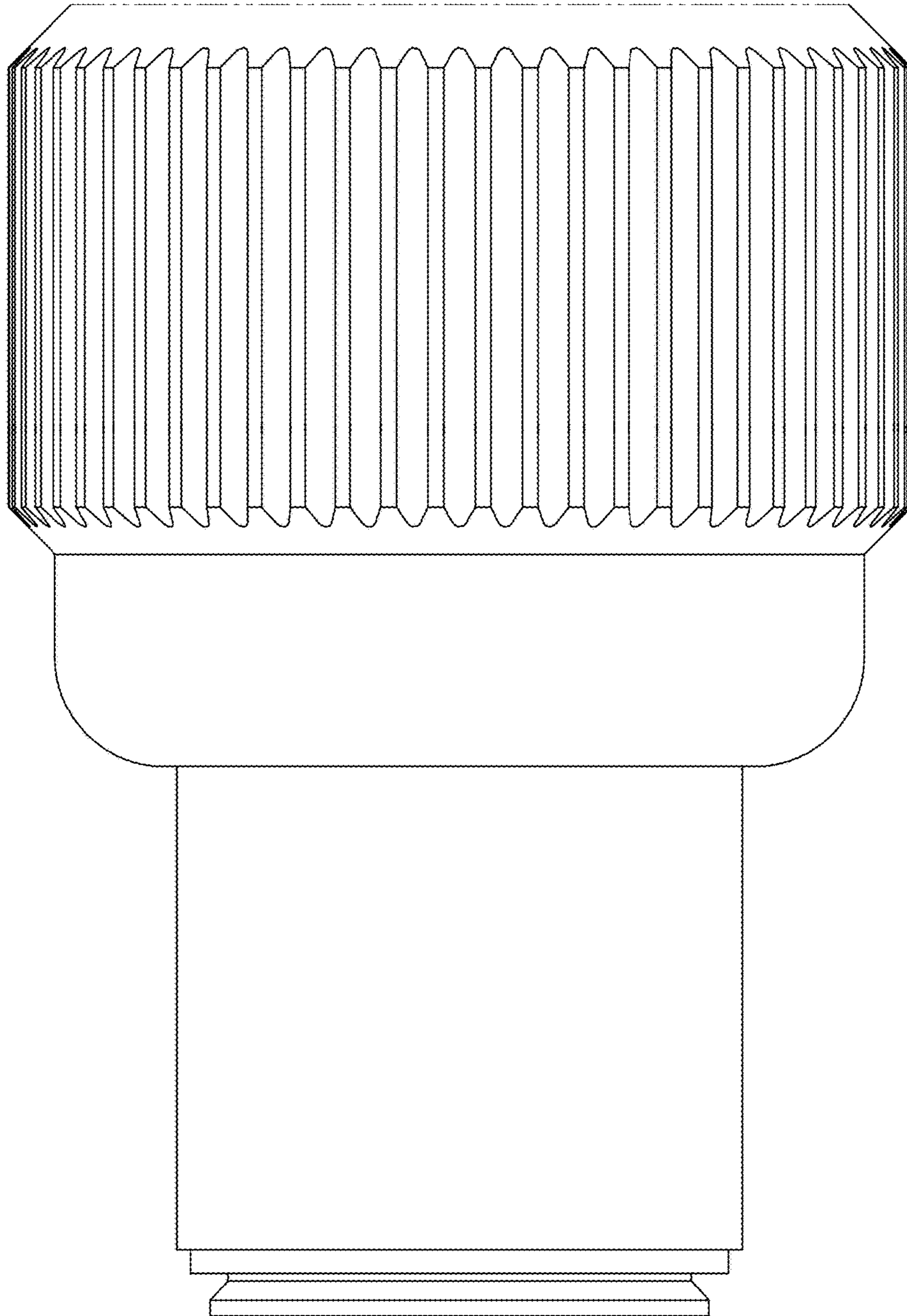


FIG.3

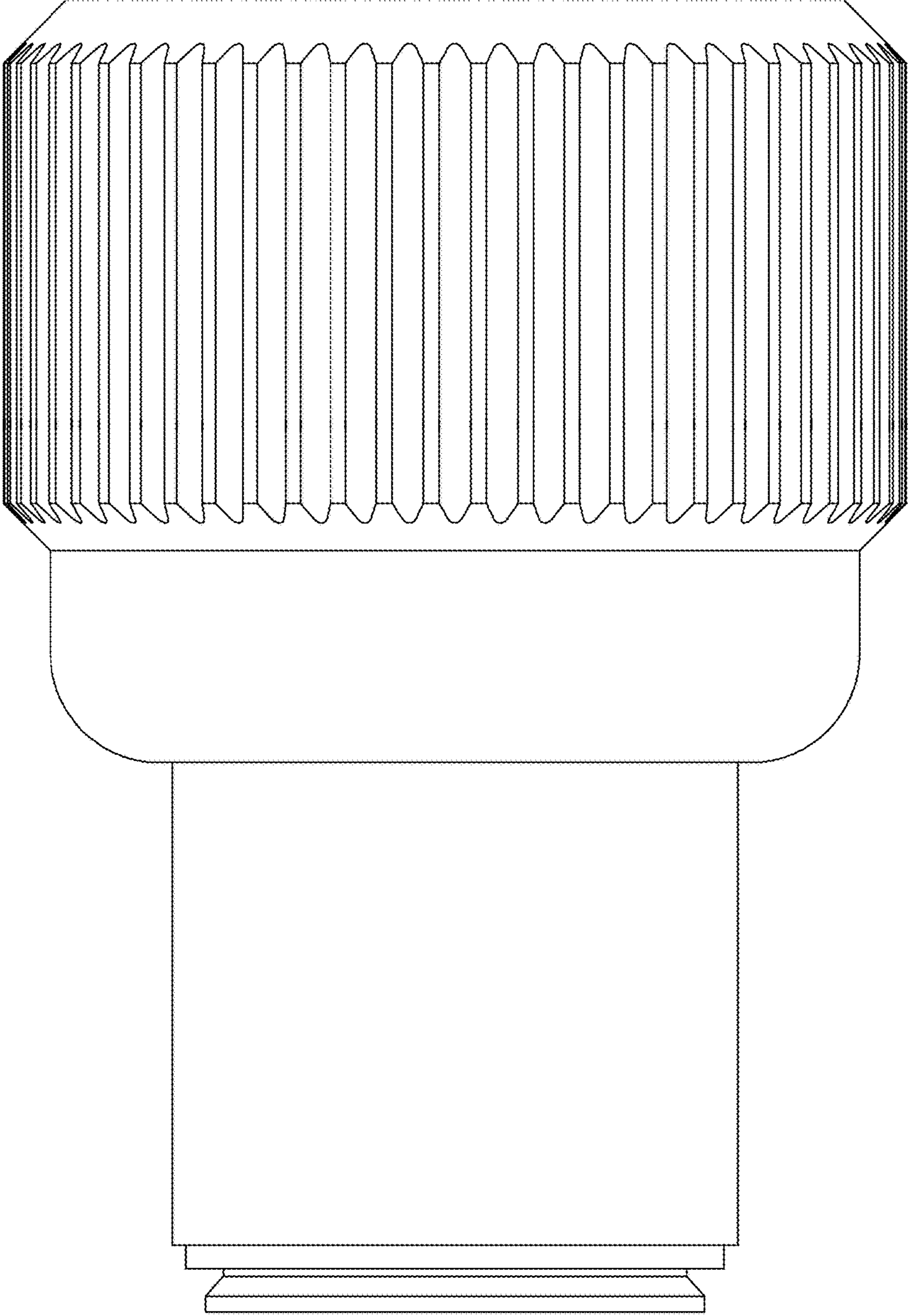


FIG.4

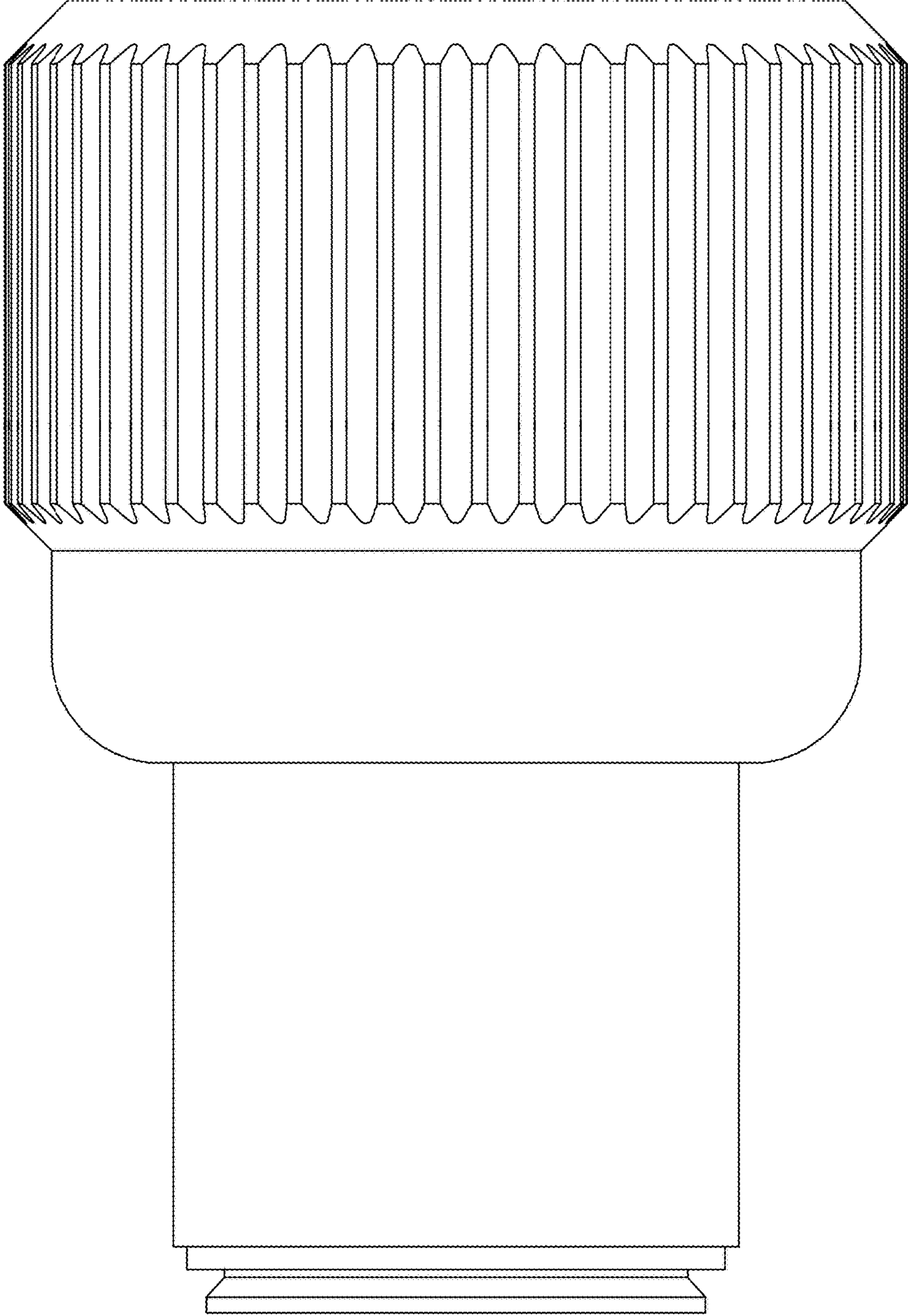


FIG.5

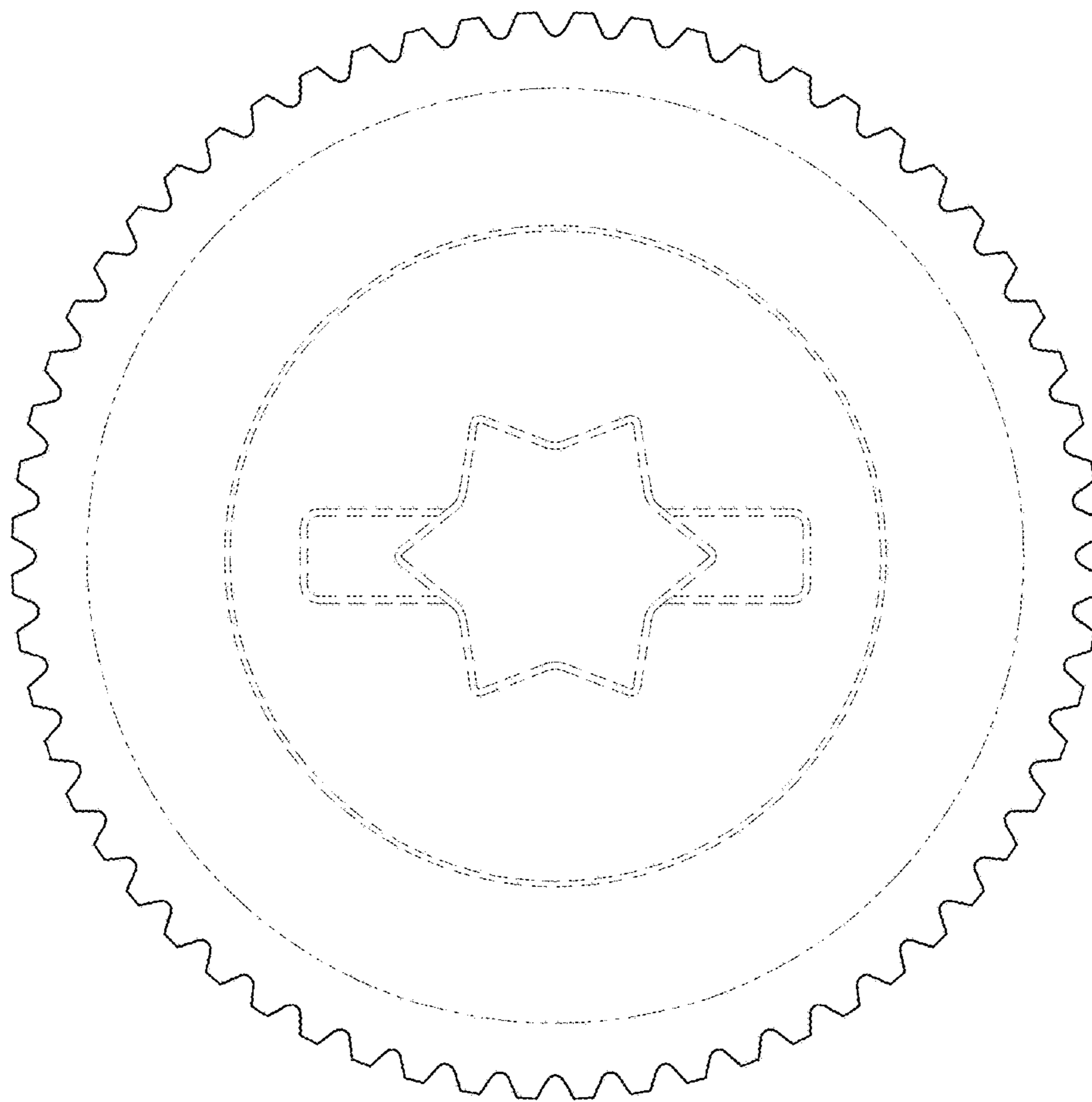


FIG. 6

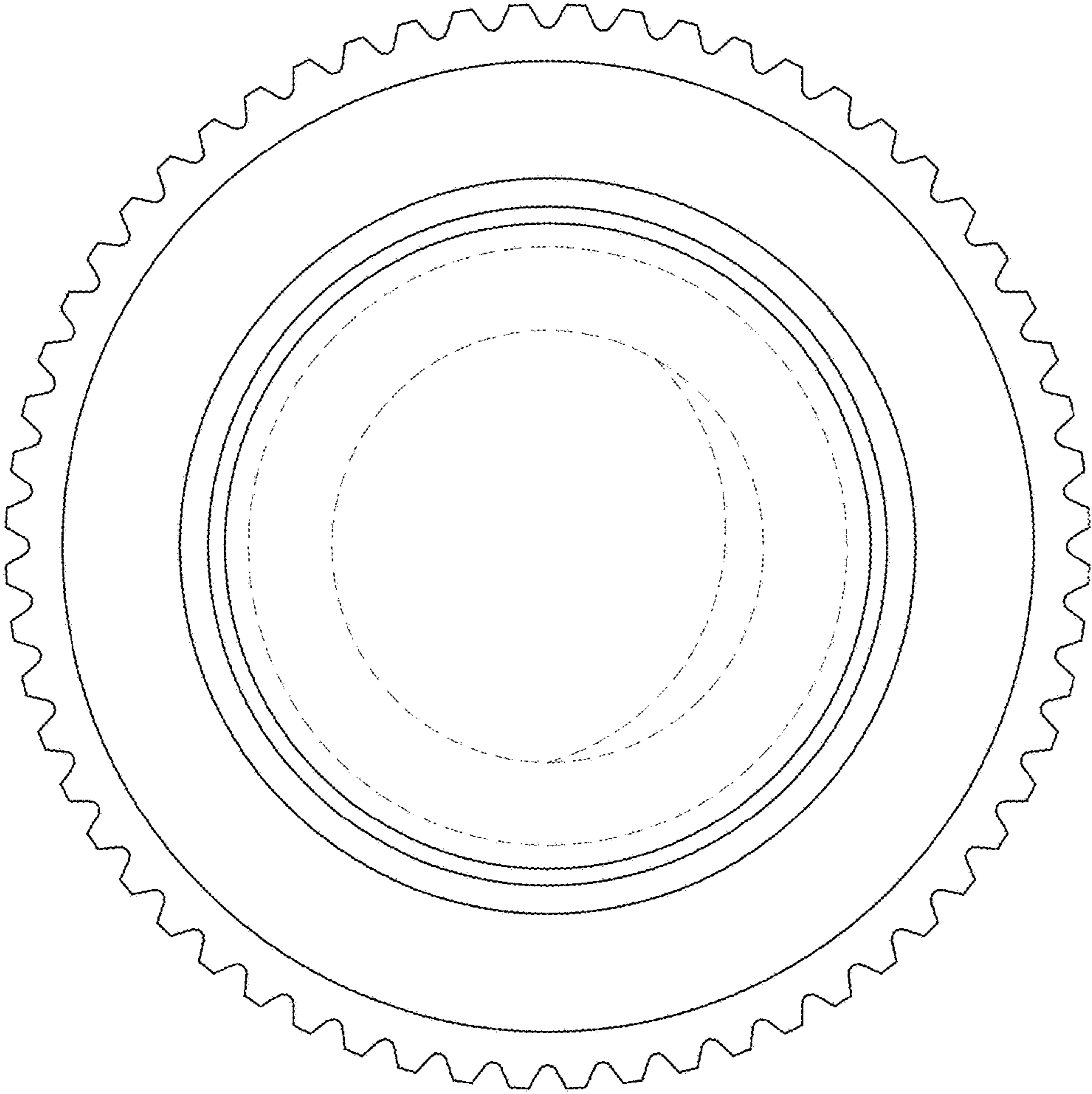


FIG.7