



US00D866305S

(12) **United States Design Patent**
Mercier et al.

(10) **Patent No.:** **US D866,305 S**

(45) **Date of Patent:** **** Nov. 12, 2019**

(54) **BAR BRACKET**

(71) Applicant: **PMC Industries, Inc.**, Plainville, CT (US)

(72) Inventors: **Robert Mercier**, Newington, CT (US);
Tamas Kovacs, Burlington, CT (US)

(73) Assignee: **PMC Industries, Inc.**, Plainville, CT (US)

(**) Term: **15 Years**

(21) Appl. No.: **29/643,383**

(22) Filed: **Apr. 8, 2018**

(51) **LOC (12) Cl.** **08-05**

(52) **U.S. Cl.**
USPC **D8/380**

(58) **Field of Classification Search**
USPC D8/349, 354, 363, 367, 380, 376, 396;
D11/181, 182
CPC E04D 13/08; E04D 13/076; E04D 13/10;
E04D 5/144
See application file for complete search history.

(56) **References Cited**

U.S. PATENT DOCUMENTS

545,385 A * 8/1895 Simpson et al. A01K 97/10
248/513
1,053,255 A * 2/1913 Ward H01Q 1/1221
248/536

D271,006 S * 10/1983 Bernatek, Sr. D11/182
5,269,488 A * 12/1993 Lach F16M 13/02
248/512
D537,014 S * 2/2007 Tait D11/183
8,607,507 B2 * 12/2013 Anderson E04D 13/10
248/535

* cited by examiner

Primary Examiner — Keli L Hill

Assistant Examiner — Harold E Blackwell, II

(74) *Attorney, Agent, or Firm* — Damian Wasserbauer,
Esq.; Wasserbauer Law LLC

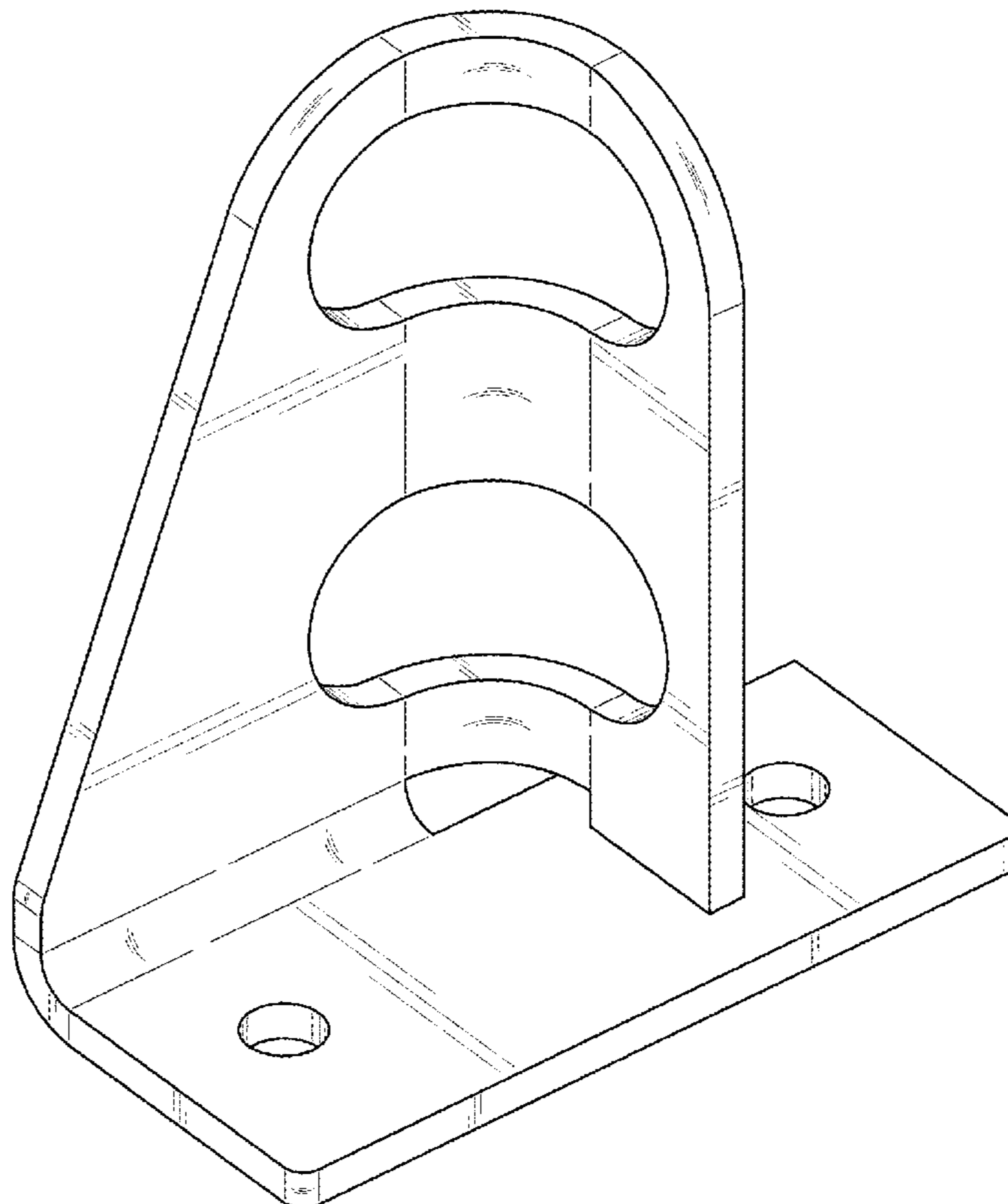
(57) **CLAIM**

The ornamental design for a bar bracket, as shown and described.

DESCRIPTION

FIG. 1 is a top perspective view of a bar bracket of the present invention;
FIG. 2 is another top perspective view thereof;
FIG. 3 is a front view of the invention;
FIG. 4 is a rear view of the invention;
FIG. 5 is a left side view of the invention;
FIG. 6 is a right side view of the invention;
FIG. 7 is a top view of the invention; and,
FIG. 8 is a bottom view of the invention.

1 Claim, 8 Drawing Sheets



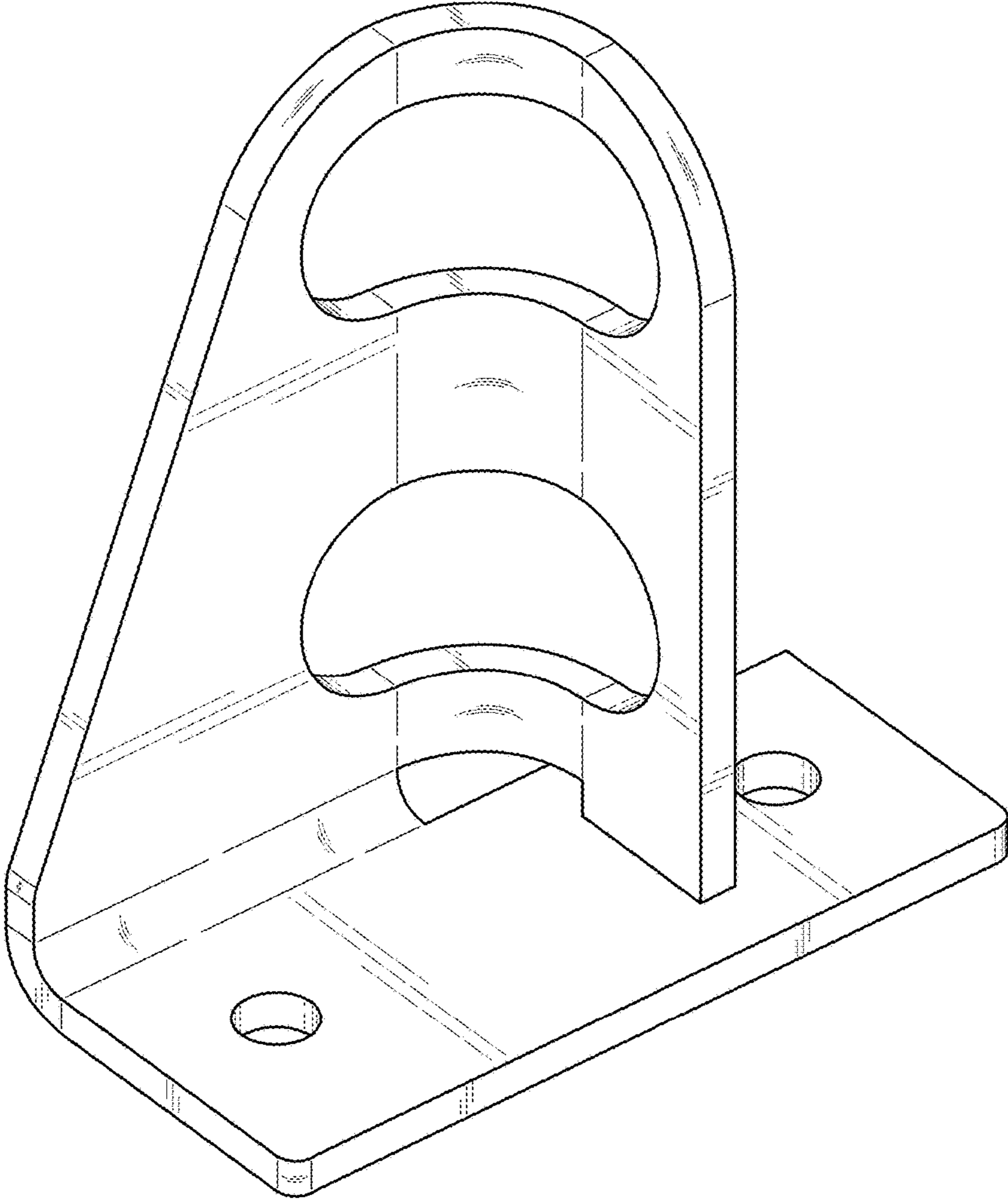


FIG. 1

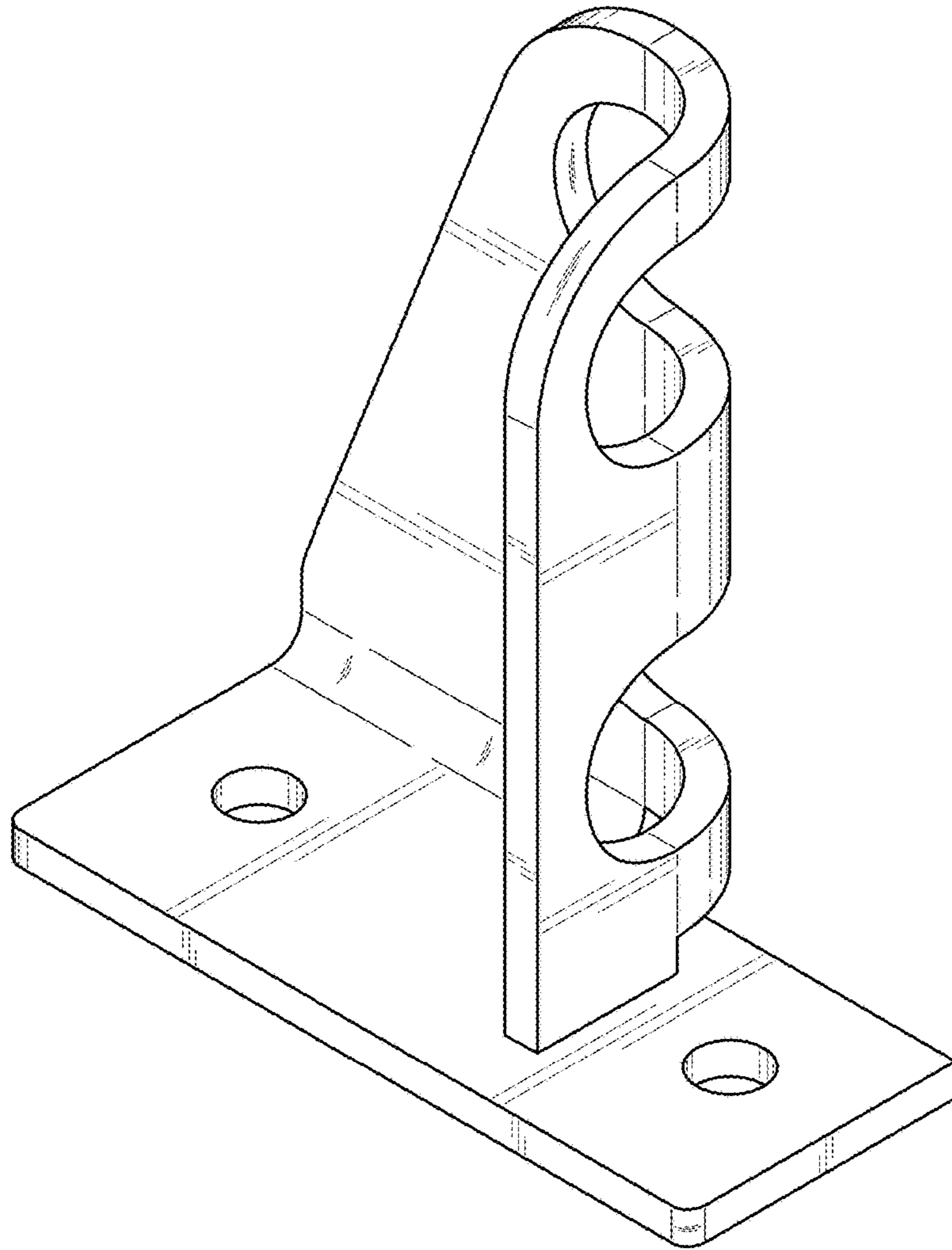


FIG. 2

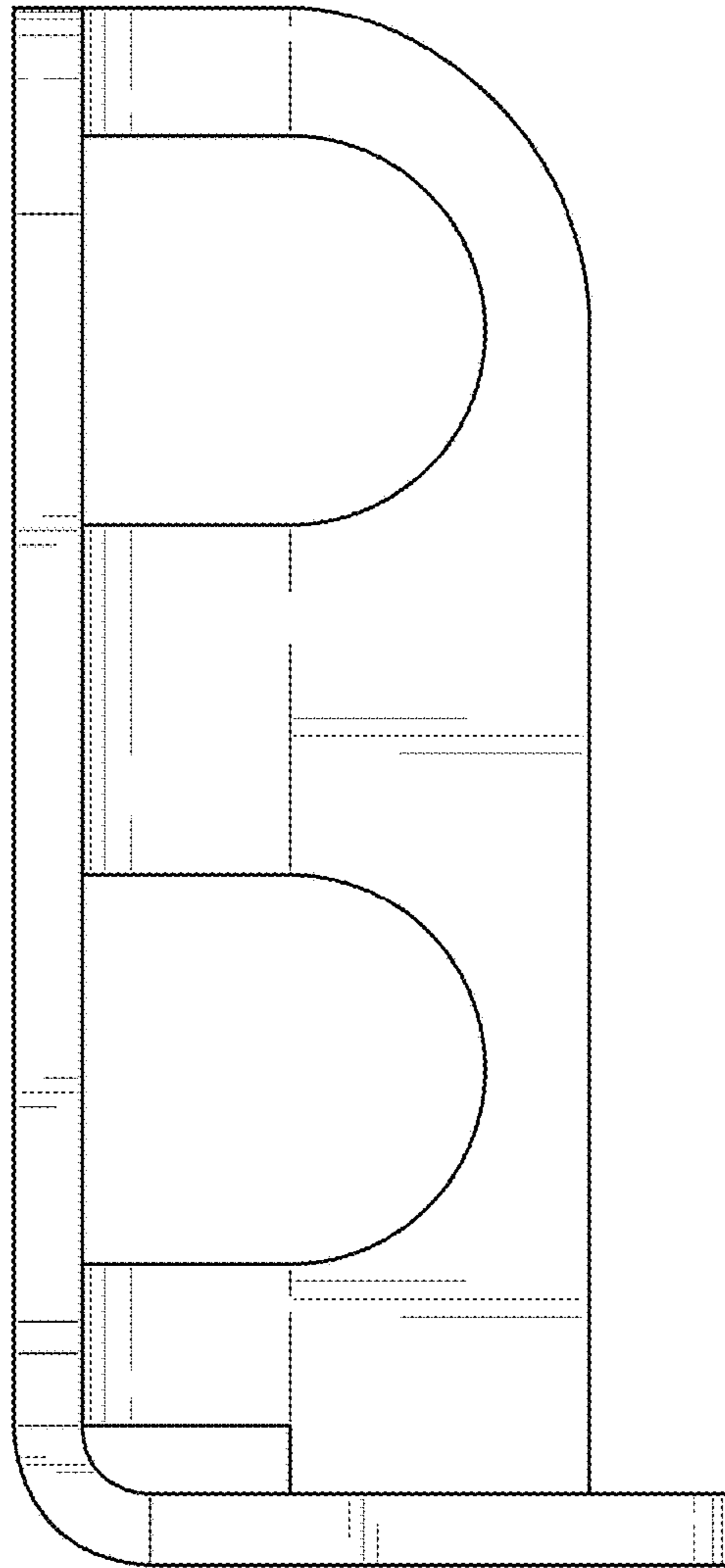


FIG. 3

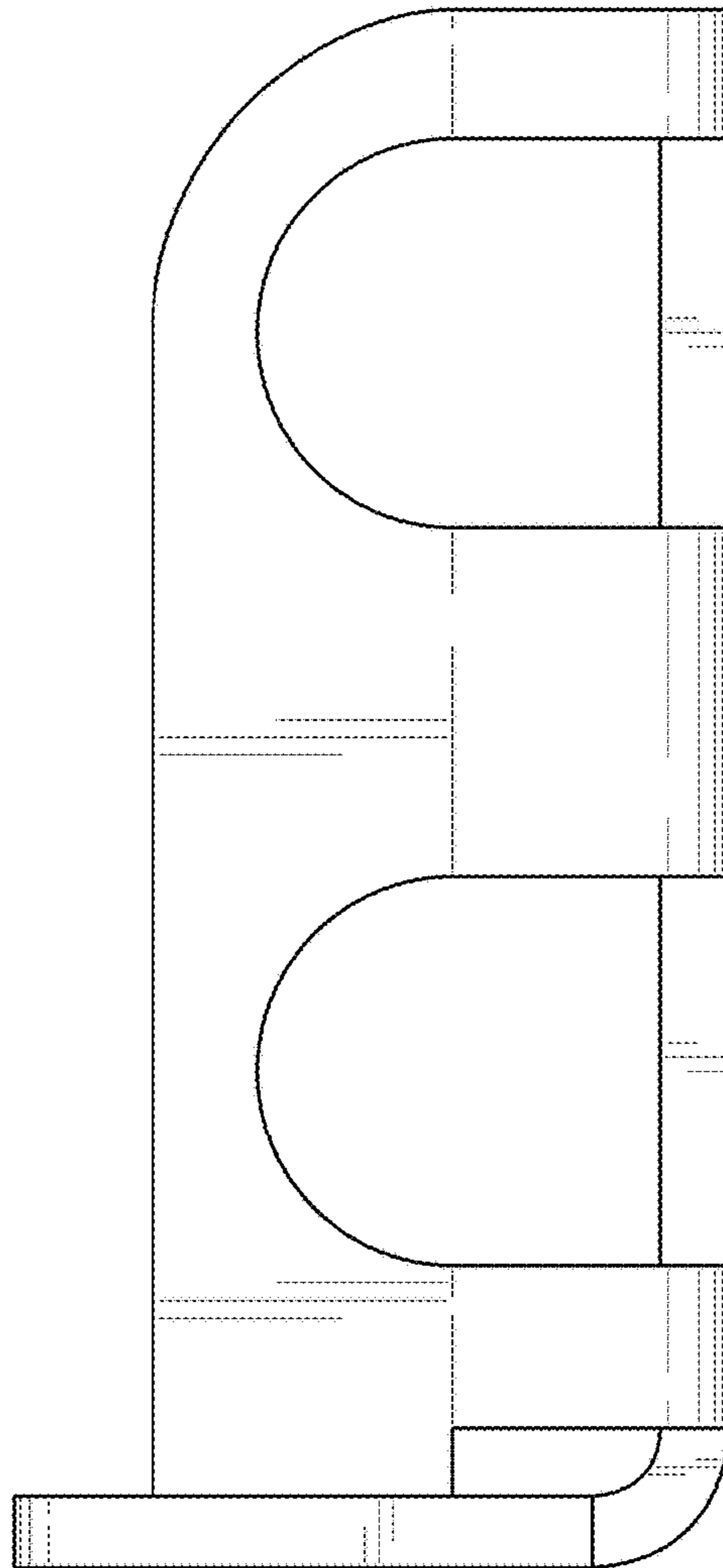


FIG. 4

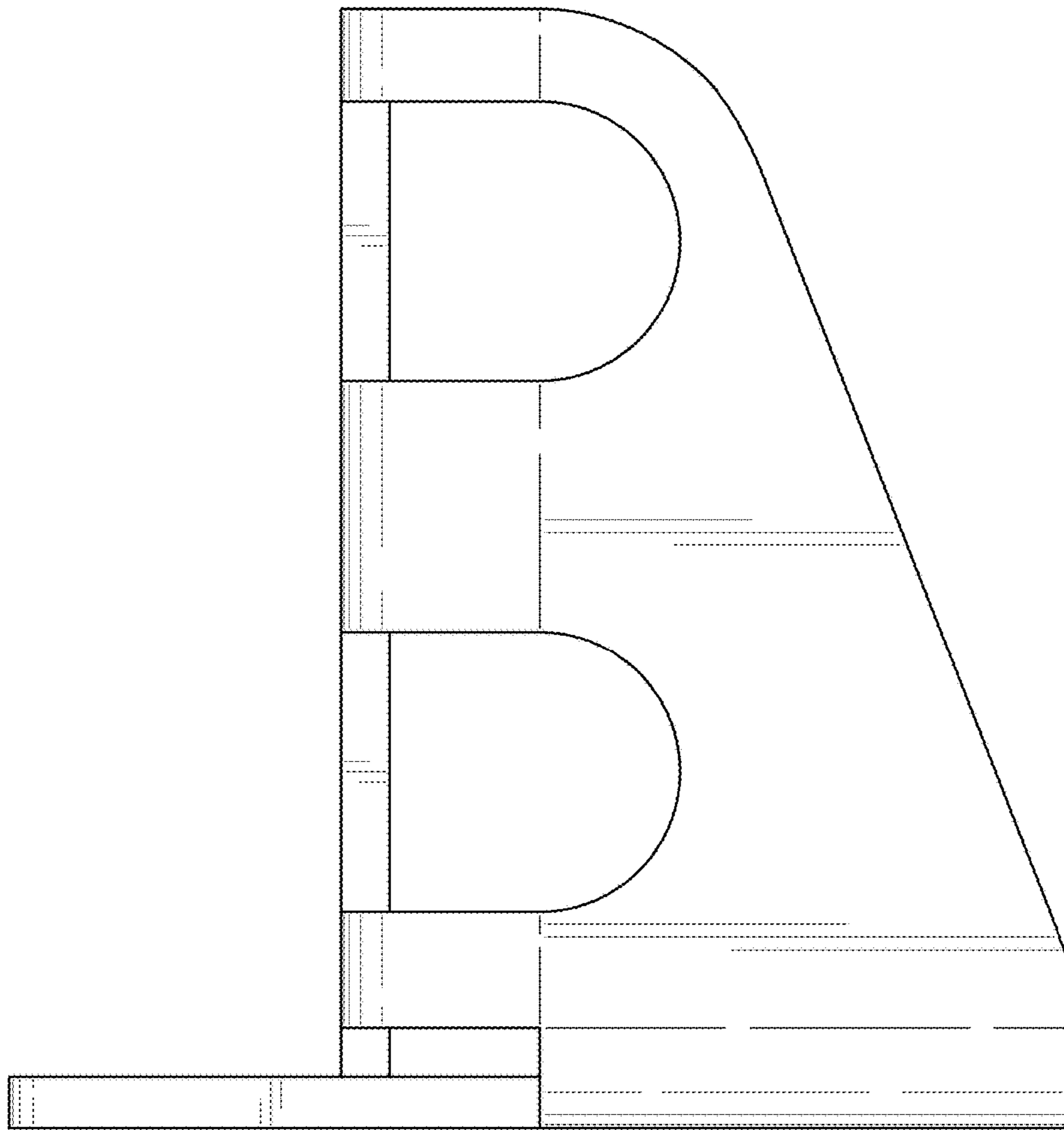


FIG. 5

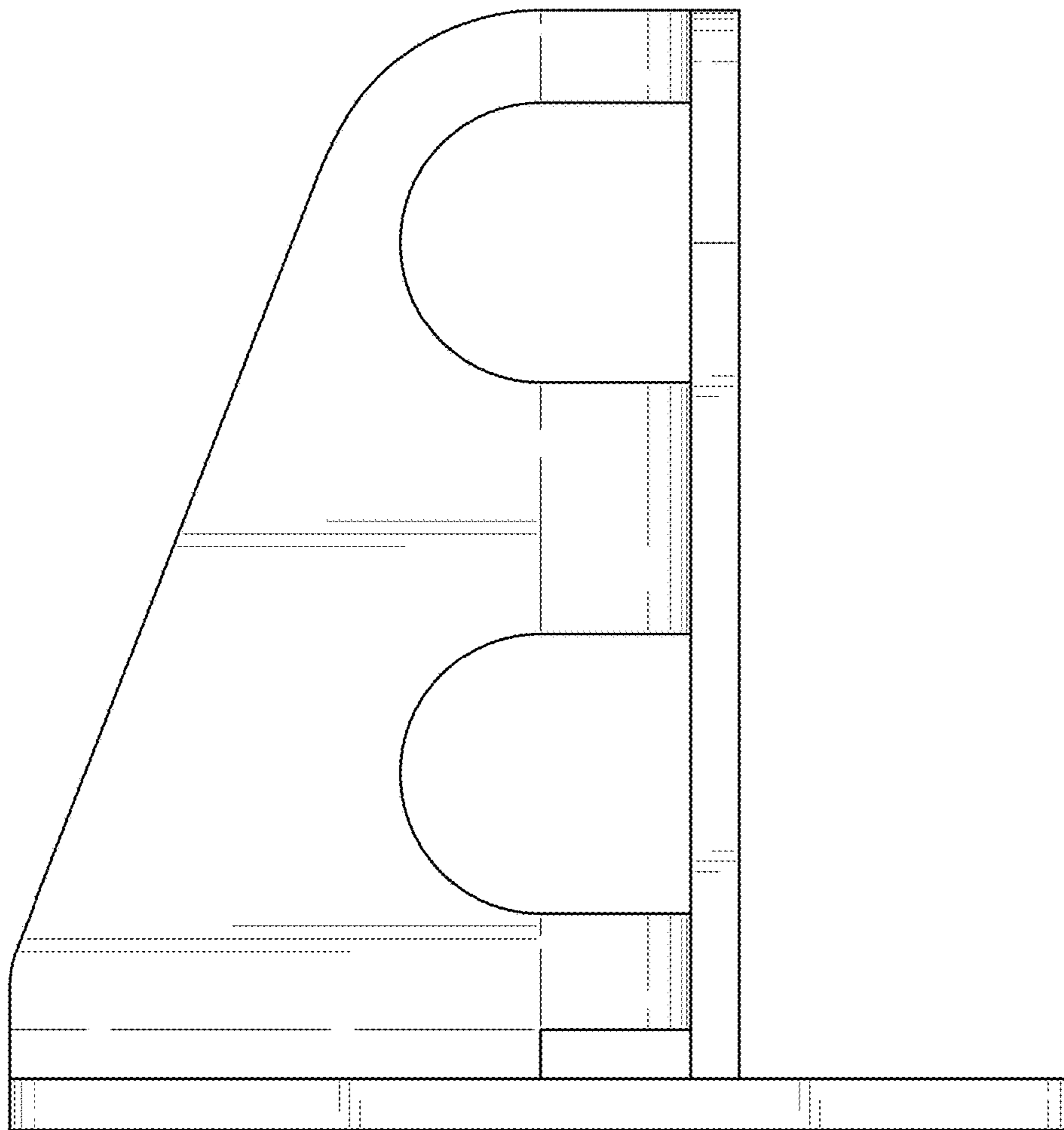


FIG. 6

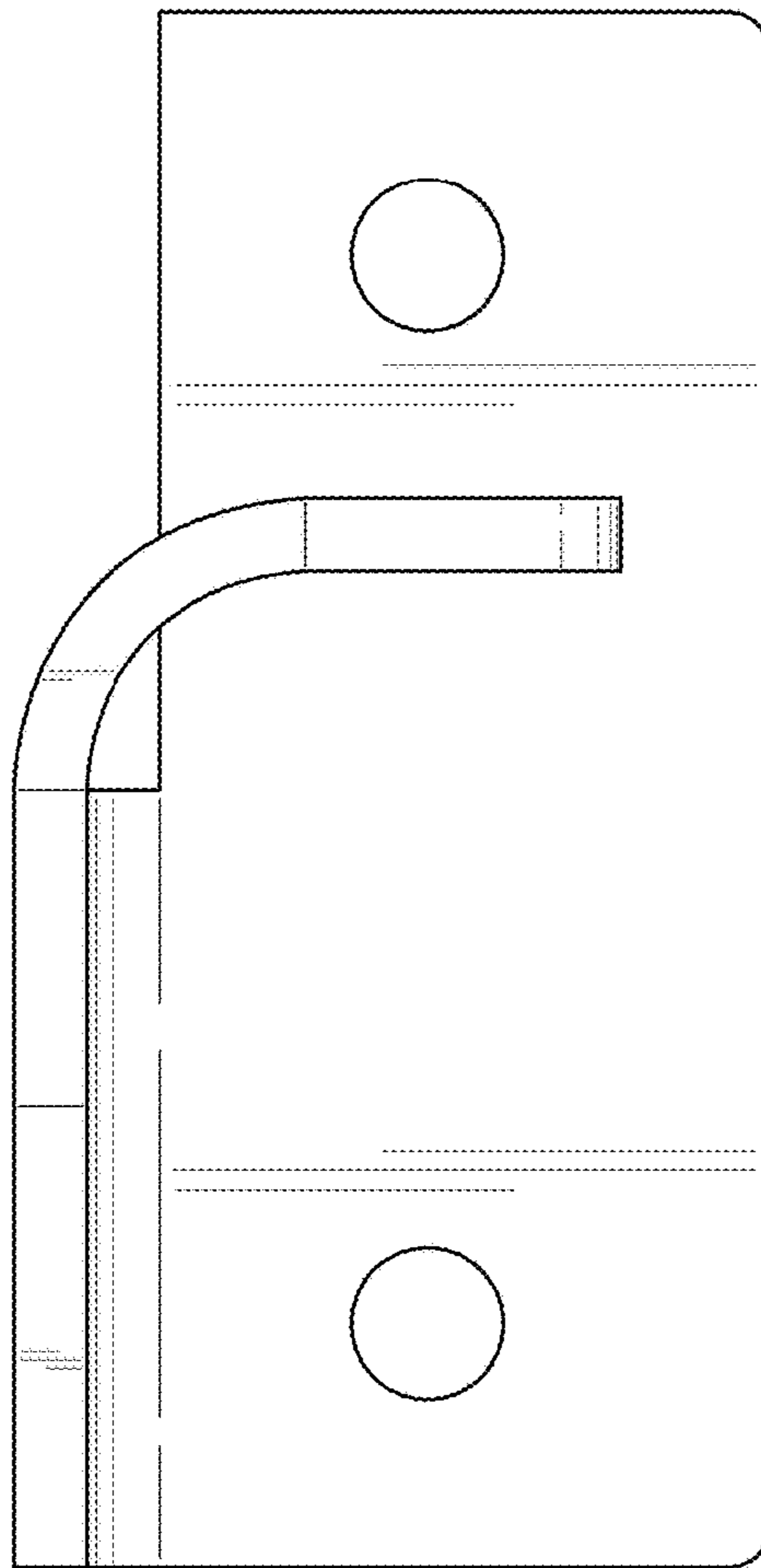


FIG. 7

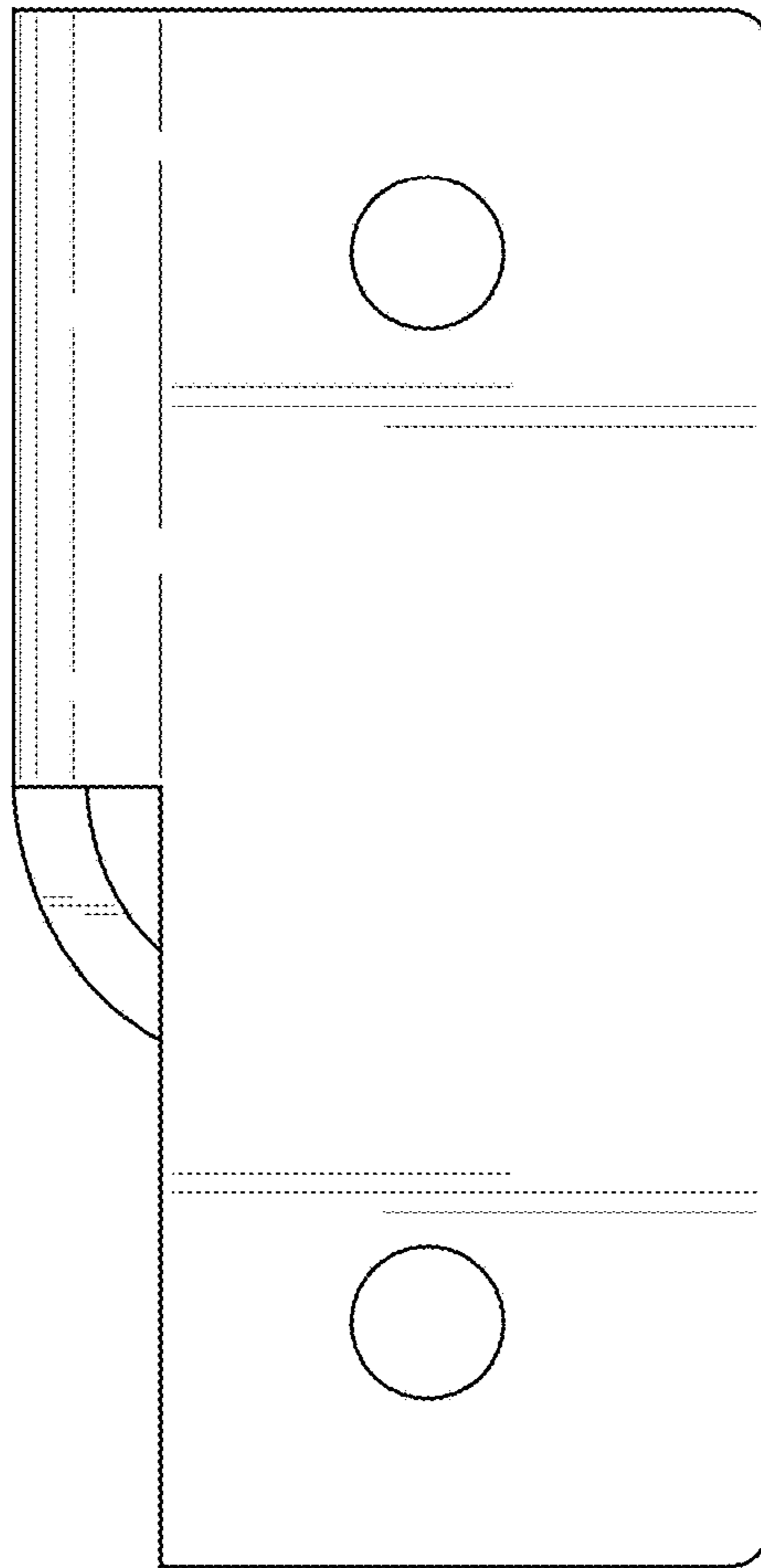


FIG. 8