



US00D866304S

(12) **United States Design Patent**
Qi

(10) **Patent No.:** **US D866,304 S**

(45) **Date of Patent:** **** Nov. 12, 2019**

- (54) **CURTAIN HOLDBACK TIE**
- (71) Applicant: **Wenting Qi**, Shenzhen (CN)
- (72) Inventor: **Wenting Qi**, Shenzhen (CN)
- (**) Term: **15 Years**
- (21) Appl. No.: **29/627,638**
- (22) Filed: **Nov. 29, 2017**
- (51) **LOC (12) Cl.** **08-05**
- (52) **U.S. Cl.**
USPC **D8/367**
- (58) **Field of Classification Search**
USPC D8/367, 356, 354, 349, 18, 105, 368;
D11/208, 218; 248/341; 224/217; 24/1,
24/702
CPC A45F 5/021; A45F 5/102; A44B 13/0029;
F16B 45/00; F16M 13/02; A45C 13/03;
A47H 13/00; A47H 19/00; F16L 3/13
See application file for complete search history.

- 7,954,515 B2 * 6/2011 Gerst F16L 55/1141
138/89
- D721,570 S * 1/2015 Caughron D8/367
- 9,084,502 B2 * 7/2015 Lapadula A47H 19/00
- D762,589 S * 8/2016 Sanftleben B60D 1/58
D13/156
- D813,654 S * 3/2018 Erickson D8/367
- D838,060 S * 1/2019 Bitar D30/153
- D848,246 S * 5/2019 Jones D8/368

* cited by examiner

Primary Examiner — Cynthia R Underwood

(74) *Attorney, Agent, or Firm* — Law Offices of Steven W. Weinrieb

(57) **CLAIM**

The ornamental design for a curtain holdback tie, as shown and described.

DESCRIPTION

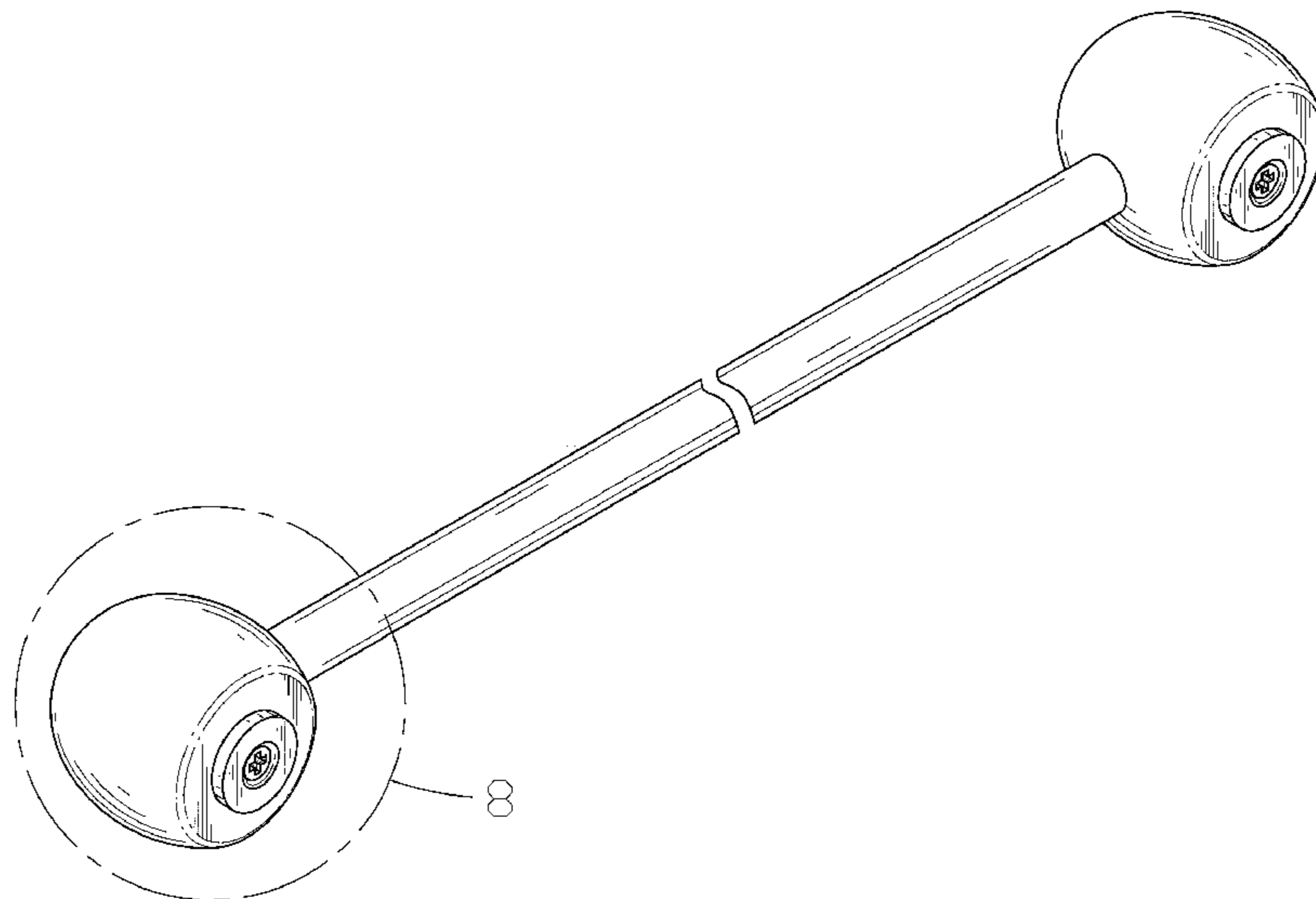
FIG. 1 is a left front top perspective view of the curtain holdback tie showing my new design;
 FIG. 2 is a front elevational view thereof;
 FIG. 3 is a rear elevational view thereof.
 FIG. 4 is a left side elevational view thereof;
 FIG. 5 is a right side elevational view thereof;
 FIG. 6 is a top plan view thereof;
 FIG. 7 is a bottom plan view thereof;
 FIG. 8 is an enlarged view of encircled region 8 in FIG. 1;
 FIG. 9 is a top plan view thereof when the opposite ends of the tie are connected together; and,
 FIG. 10 is a front elevational view of how the ties are utilized in order to retain curtains in their held back position. The broken lines represent an environment of use and form no part of the claim. The broken away symbols in the drawings indicate that any portion of the article beyond what is shown forms no part of the claim.

1 Claim, 10 Drawing Sheets

(56) **References Cited**

U.S. PATENT DOCUMENTS

- 1,377,066 A * 5/1921 Garrabrant A47H 19/00
24/1
- 2,840,155 A * 6/1958 Stern A47H 13/00
16/87.2
- D221,056 S * 7/1971 Minoff D8/367
- D229,287 S * 11/1973 Peters D8/367
- 4,558,495 A * 12/1985 Olsen B23B 45/006
24/16 PB
- D296,299 S * 6/1988 Bussell D10/32
- D336,031 S * 6/1993 Kaplan D8/367
- D475,278 S * 6/2003 Williams D3/328
- D519,310 S * 4/2006 Schorling D6/580
- D573,875 S * 7/2008 Anderson D8/367
- D583,664 S * 12/2008 Franzone, Jr. D9/434
- D618,536 S * 6/2010 Eason D8/349
- 7,771,221 B1 * 8/2010 Blackwell H01R 13/52
439/282



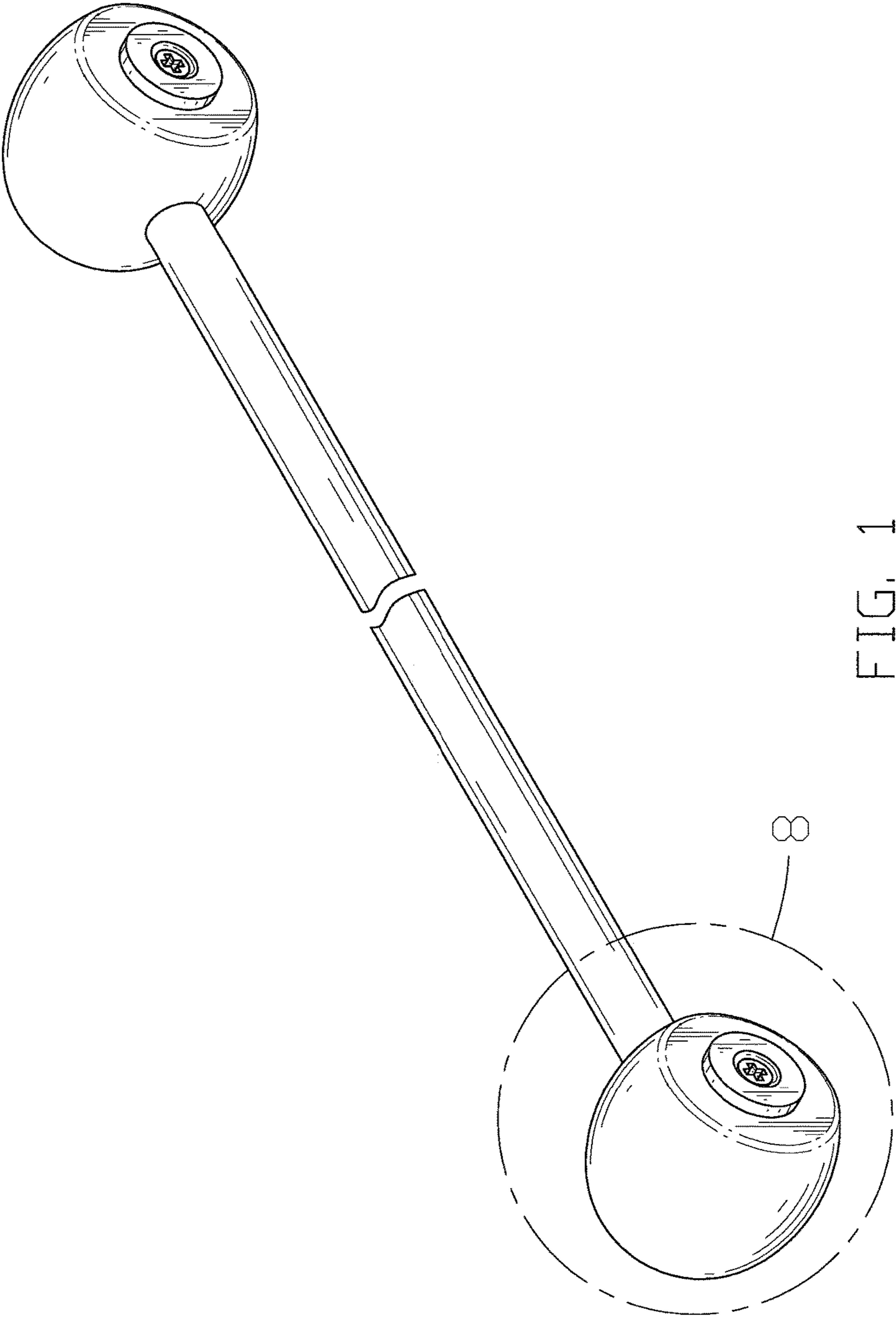


FIG. 1

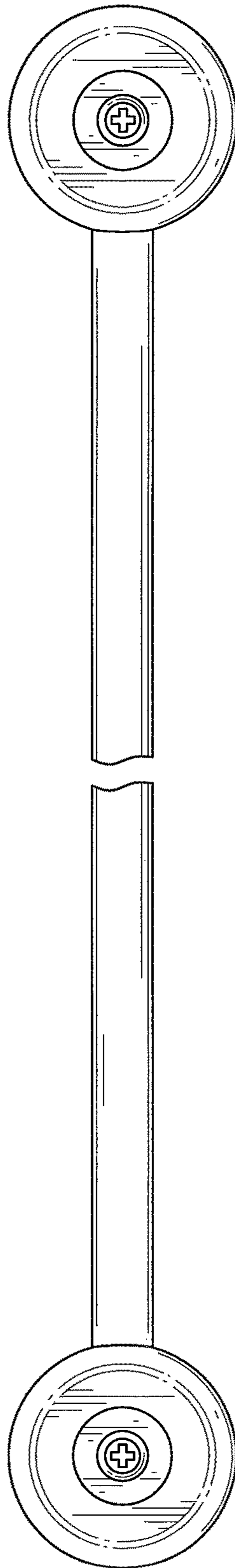


FIG. 2

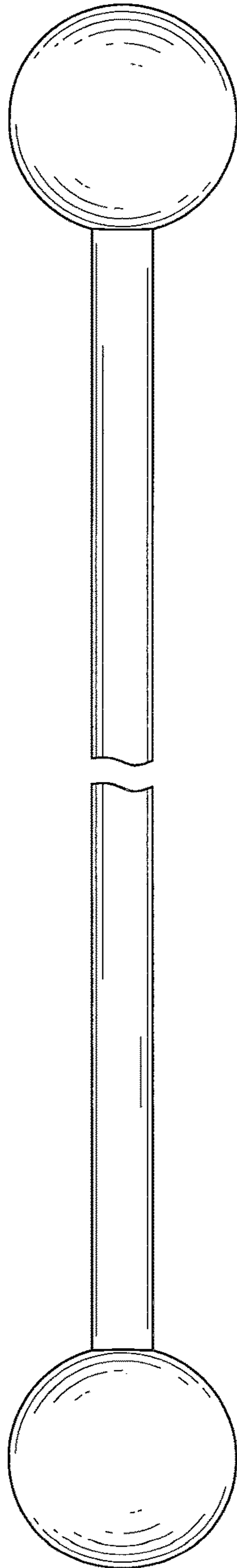


FIG. 3

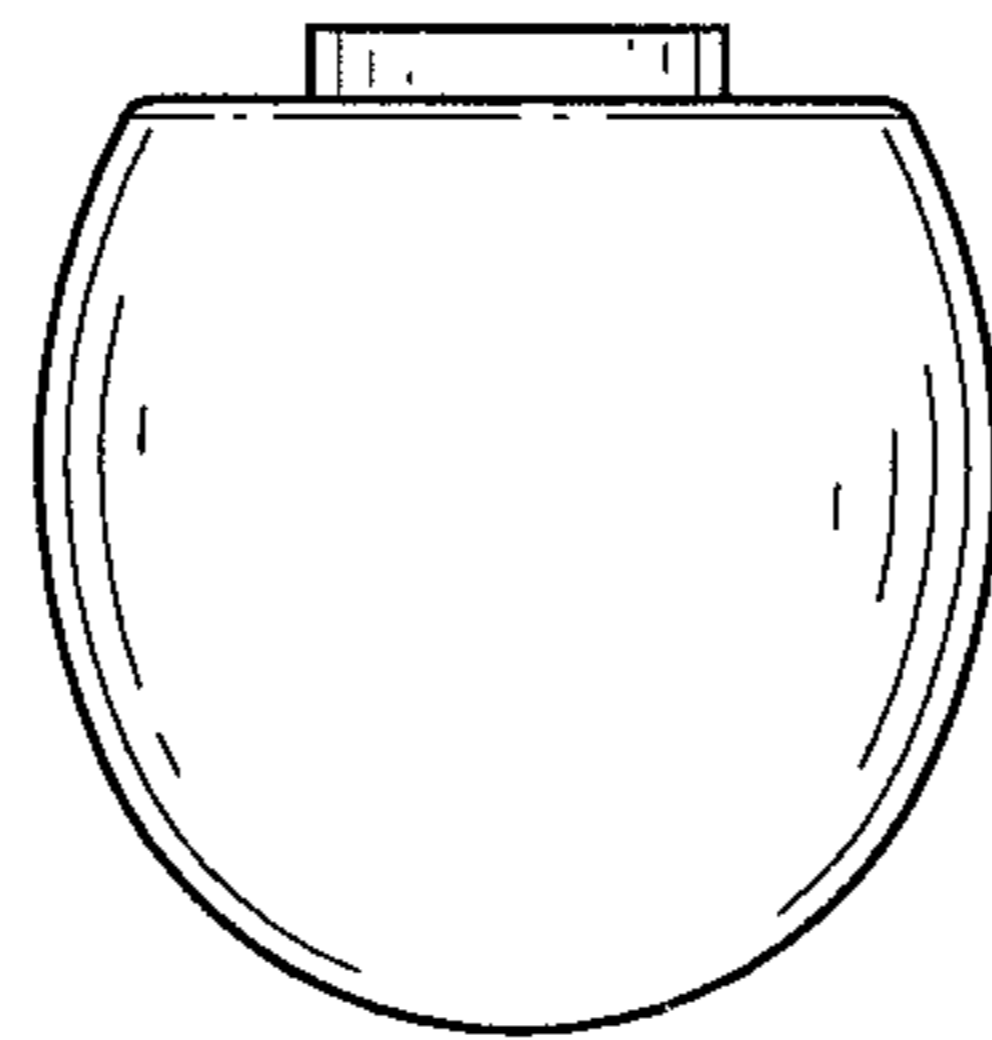


FIG. 4

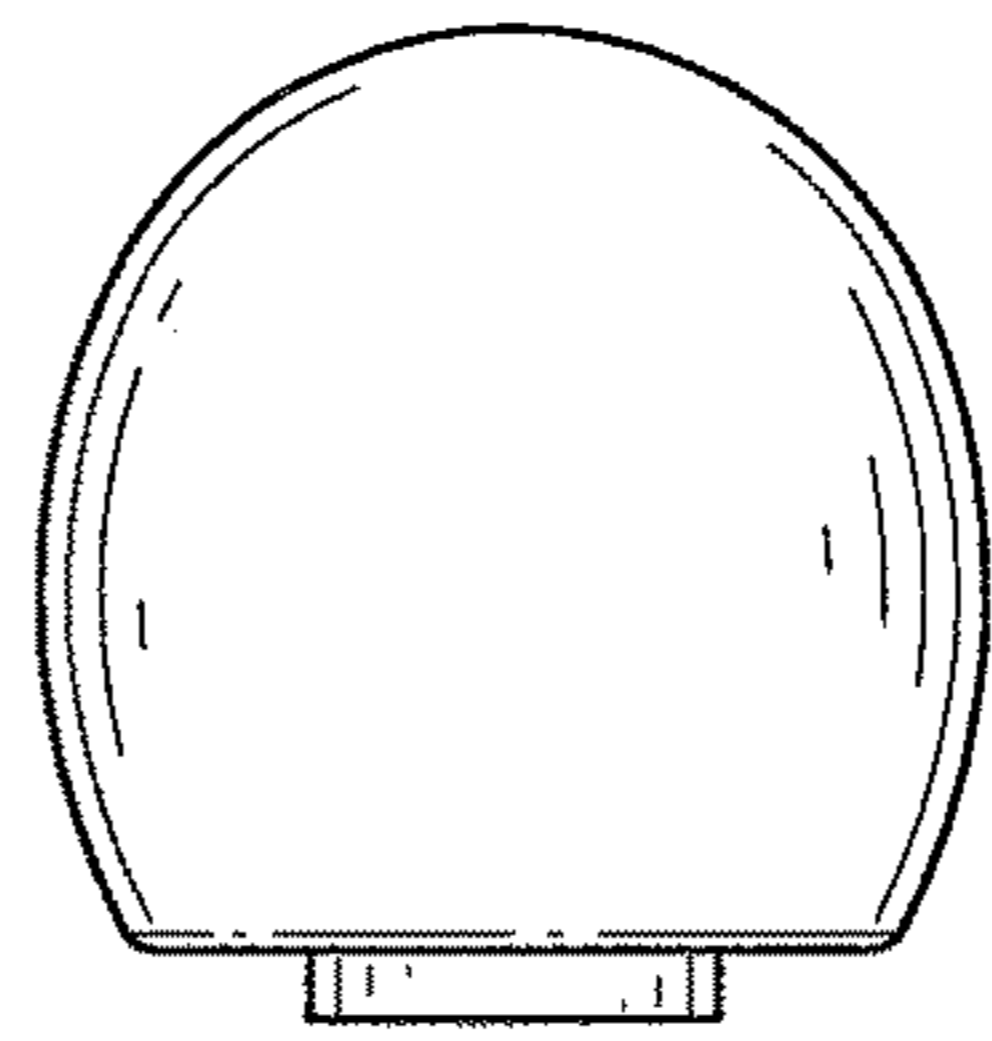


FIG. 5

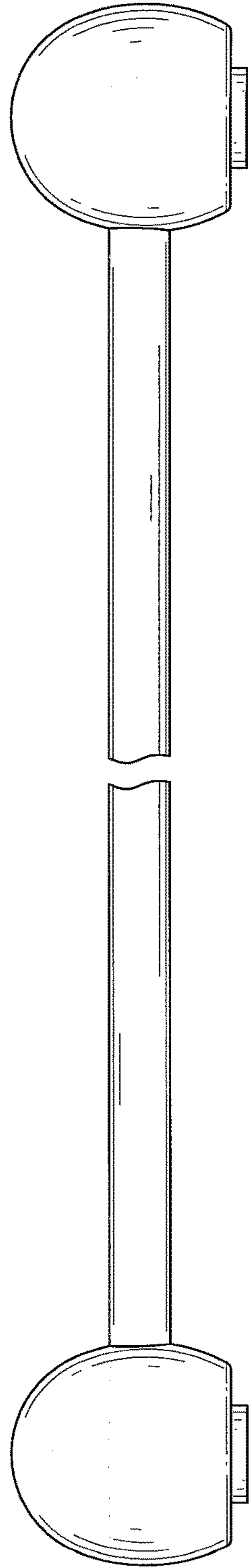


FIG. 6

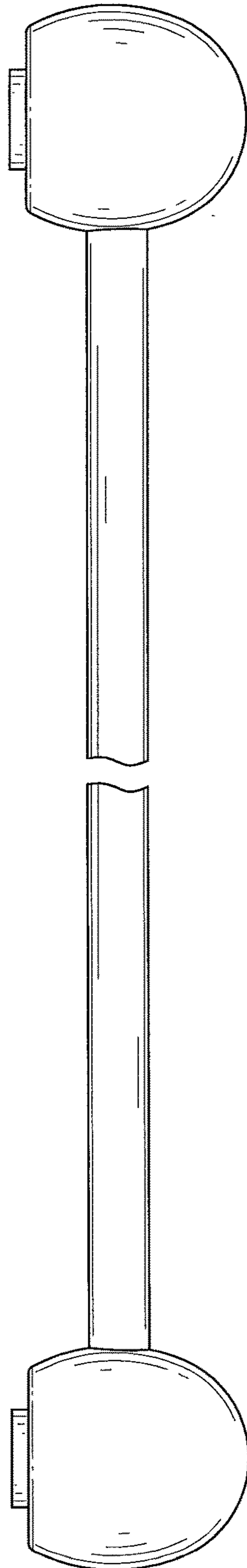


FIG. 7

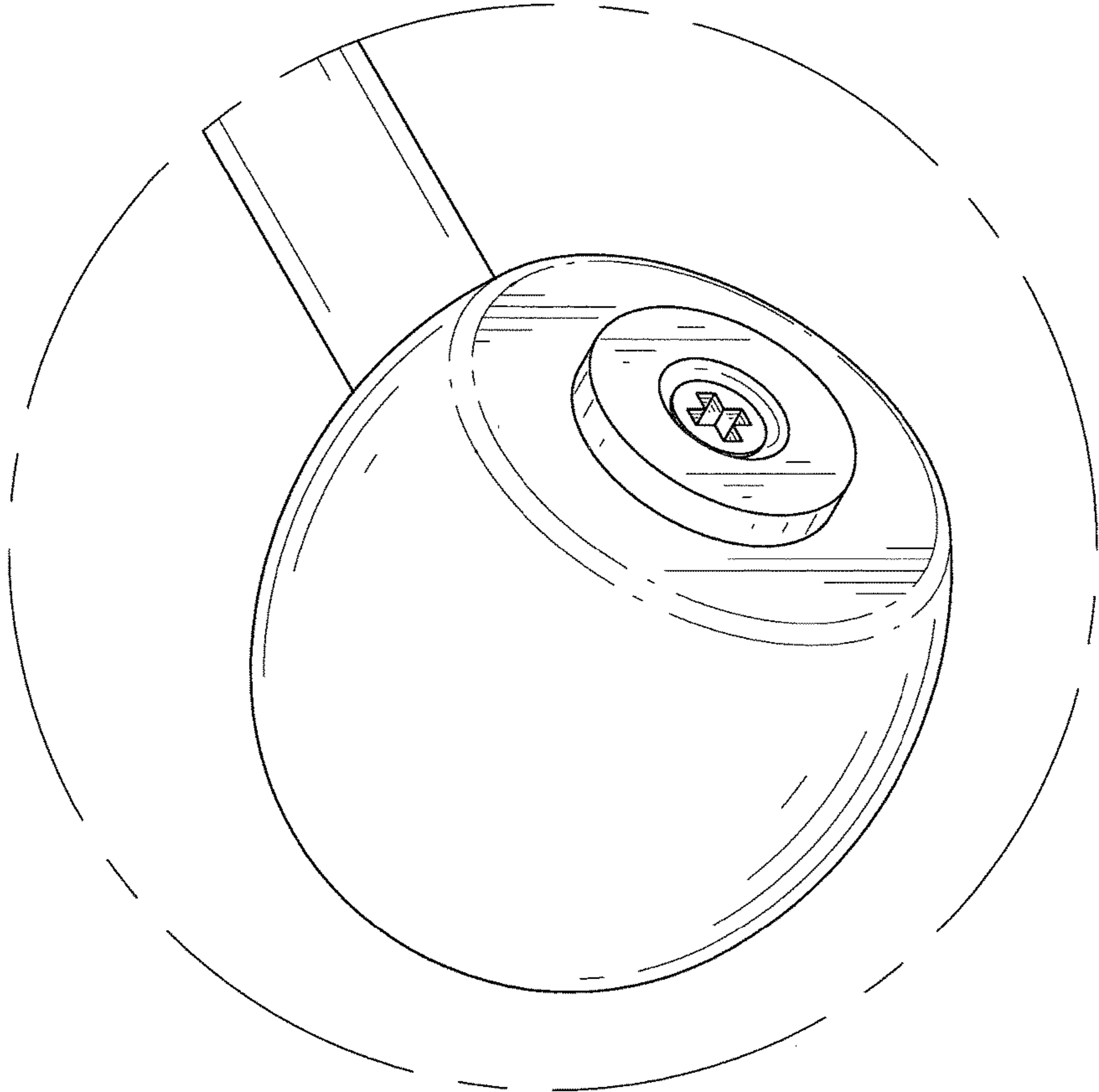


FIG. 8

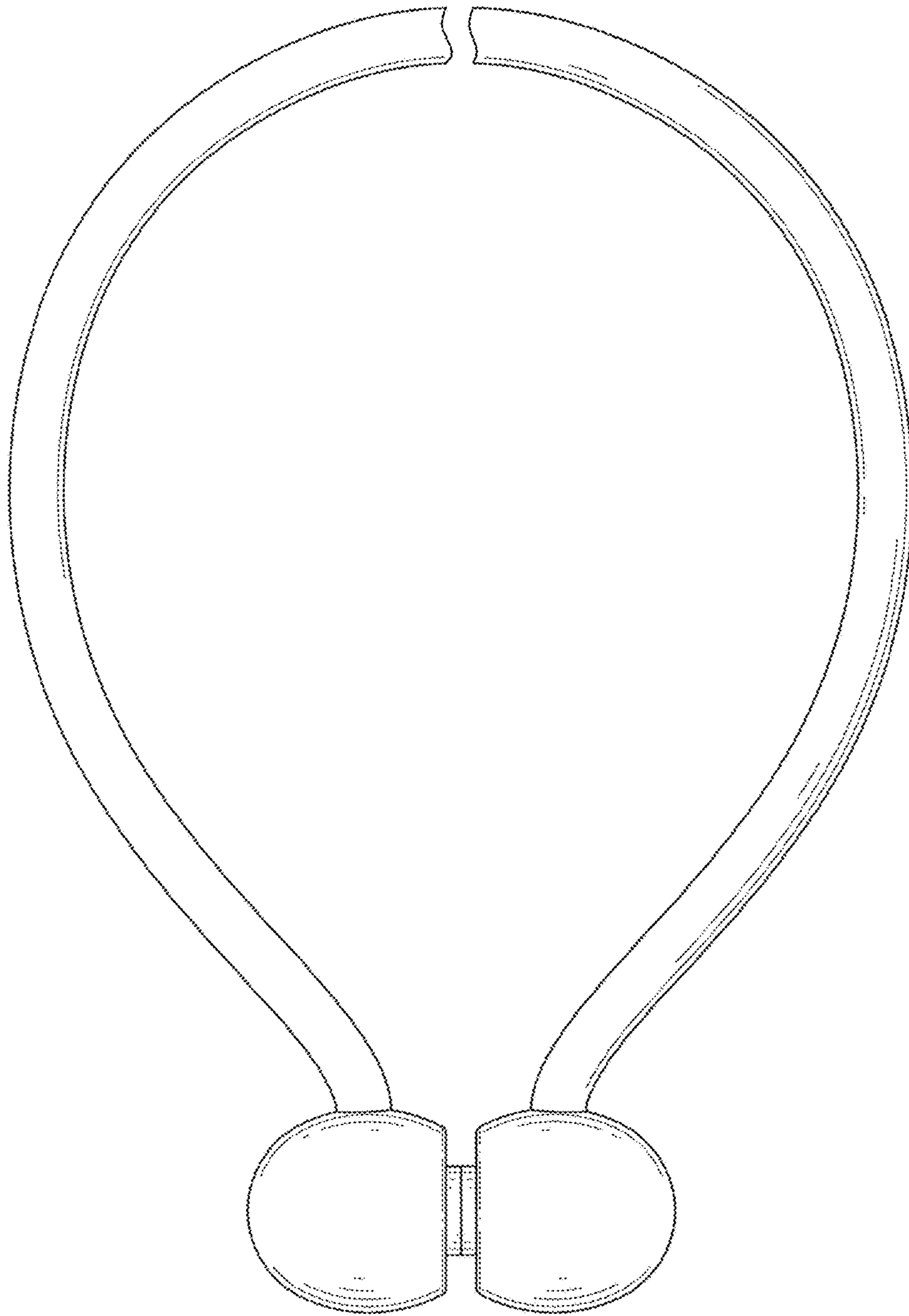


FIG. 9

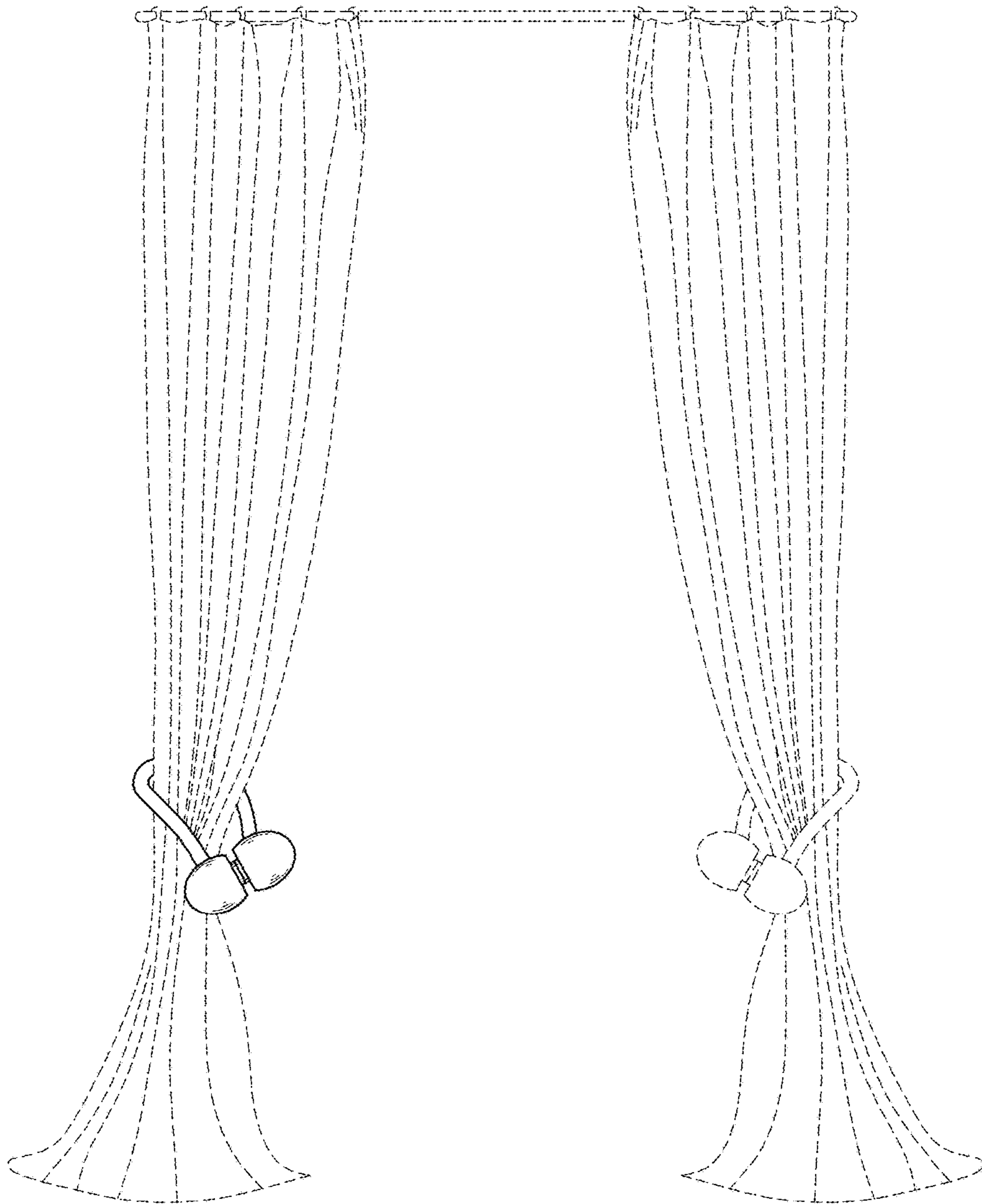


FIG. 10