



US00D866301S

(12) **United States Design Patent**
Gasparino

(10) **Patent No.:** **US D866,301 S**

(45) **Date of Patent:** **** Nov. 12, 2019**

(54) **COMBINED CLIP AND COLLAR FOR REVERSIBLY ATTACHING SHELVES TO POLE**

4,615,278 A 10/1986 Cabrelli
D298,990 S 12/1988 Chap
5,060,898 A 10/1991 Chang

(Continued)

(71) Applicant: **Richards Homewares, Inc.**, Portland, OR (US)

(72) Inventor: **Joseph Gasparino**, Peekskill, NY (US)

(73) Assignee: **Richards Homewares, Inc.**, Portland, OR (US)

(**) Term: **15 Years**

(21) Appl. No.: **29/668,246**

(22) Filed: **Oct. 29, 2018**

OTHER PUBLICATIONS

Office Action prepared by the US Patent and Trademark Office for U.S. Appl. No. 14/750,492, dated Aug. 12, 2016, 11 pages.

(Continued)

Primary Examiner — Keli L Hill

Assistant Examiner — Harold E Blackwell, II

(74) *Attorney, Agent, or Firm* — Chernoff Vilhauer LLP

(57) **CLAIM**

The ornamental design for a combined clip and collar for reversibly attaching shelves to pole, as shown and described.

DESCRIPTION

Related U.S. Application Data

(62) Division of application No. 14/750,492, filed on Jun. 25, 2015, now abandoned.

(51) **LOC (12) Cl.** **08-05**

(52) **U.S. Cl.**
USPC **D8/354**

(58) **Field of Classification Search**
USPC D8/354, 349, 355, 363, 373, 380, 382, D8/383, 394, 396
CPC A47B 57/56; A47B 45/00; A47B 81/061
See application file for complete search history.

(56) **References Cited**

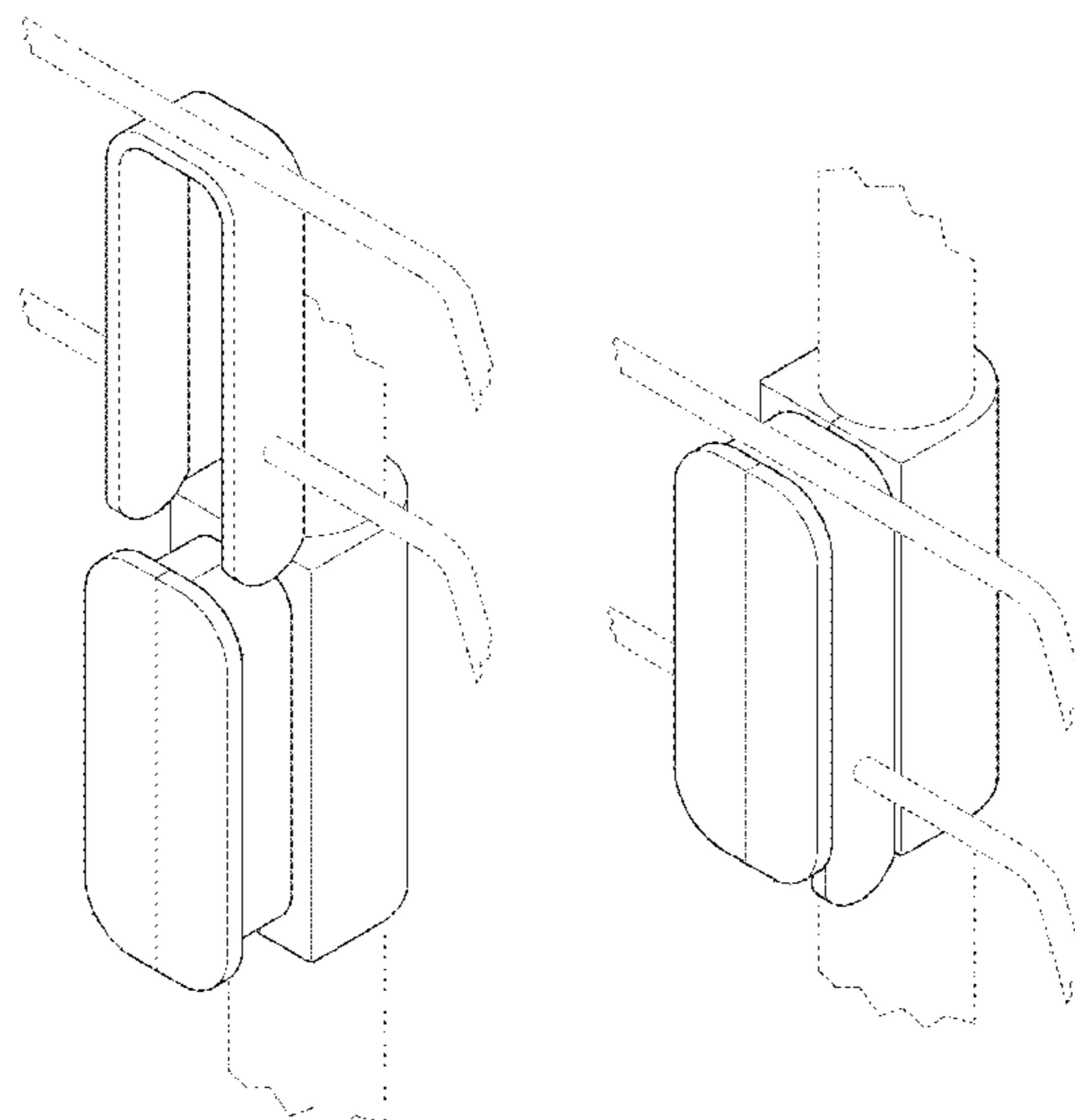
U.S. PATENT DOCUMENTS

2,639,816 A 5/1953 Fogg
3,221,678 A 12/1965 Doherty
3,640,498 A 2/1972 Aleks
3,923,162 A 12/1975 Hussey
4,005,548 A 2/1977 Nahon
4,573,591 A 3/1986 Chap

FIG. 1 is a top front left perspective view of a clip for reversibly attaching shelves to pole showing my new design; FIG. 2 is a front elevational view thereof showing the clip in an open position; FIG. 3 is a front elevational view thereof showing the clip in a closed position; FIG. 4 is a bottom front left perspective view of the clip and a top front left perspective view of a collar for reversibly attaching shelves to pole that is mounted to a shelf and that is engaged on the clip; FIG. 5 is a top front left perspective view of the clip and a top front left perspective view of the collar that is mounted to the shelf and that is disengaged with the clip; and, FIG. 6 is a top front left perspective view of the clip and a top front left perspective view of the collar that is mounted to the shelf and that is engaged with the clip.

The broken lines in the drawings illustrates portions of the combined clip and collar for reversibly attaching shelves to pole which form no part of the claimed design.

1 Claim, 4 Drawing Sheets



(56)

References Cited

U.S. PATENT DOCUMENTS

5,487,227 A * 1/1996 Marmonier A43B 5/04
36/117.1

D409,424 S 5/1999 Hofman et al.
D417,991 S 12/1999 Hofman et al.
D421,692 S 3/2000 Wojtowicz et al.
6,044,988 A 4/2000 Yang
D429,934 S 8/2000 Hofman
D443,162 S 6/2001 Winter
6,253,933 B1 7/2001 Yang
D462,552 S 9/2002 Emery et al.
D475,560 S 6/2003 Suero, Jr.
D476,509 S 7/2003 Orsino et al.
D479,073 S 9/2003 Snell
6,688,238 B1 2/2004 Alexiou
7,060,040 B2 6/2006 Farmer
D566,991 S 4/2008 Harwanko
D569,148 S 5/2008 Yang et al.
D572,502 S 7/2008 Yang et al.
D573,387 S 7/2008 Walker
7,478,971 B2 1/2009 Li
7,527,600 B2 5/2009 Farmer
8,136,458 B1 3/2012 Cass
8,348,072 B2 1/2013 Whitehall et al.
8,408,405 B2 4/2013 Yang
8,573,416 B2 11/2013 Didehvar et al.
8,640,893 B2 2/2014 Kessell et al.
8,662,463 B2 3/2014 Chen

8,819,876 B2 9/2014 Dabrowski et al.
D714,571 S 10/2014 Walker
9,107,495 B2 8/2015 Lindo et al.
9,167,915 B1 10/2015 Lau
9,693,660 B1 * 7/2017 Stelmarski A47K 3/281
D797,549 S * 9/2017 Dew D8/394

2002/0158033 A1 10/2002 Chen
2008/0185357 A1 8/2008 Chen
2010/0102014 A1 4/2010 Yang
2012/0217215 A1 8/2012 Emery et al.
2013/0313212 A1 11/2013 Lindo
2014/0224754 A1 8/2014 Baines
2016/0374467 A1 * 12/2016 Gasparino A47B 45/00
211/119.011

OTHER PUBLICATIONS

Final Office Action prepared by the US Patent and Trademark Office for U.S. Appl. No. 14/750,492, dated Feb. 21, 2017, 7 pages.
Office Action prepared by the US Patent and Trademark Office for U.S. Appl. No. 14/750,492, dated Sep. 13, 2017, 8 pages.
Final Office Action prepared by the US Patent and Trademark Office for U.S. Appl. No. 14/750,492, dated Jan. 25, 2018, 9 pages.
Office Action prepared by the US Patent and Trademark Office for U.S. Appl. No. 14/750,492, dated Jun. 29, 2018, 6 pages.
Restriction Requirement prepared by the US Patent and Trademark Office for U.S. Appl. No. 14/750,492, dated Jun. 29, 2016, 9 pages.

* cited by examiner

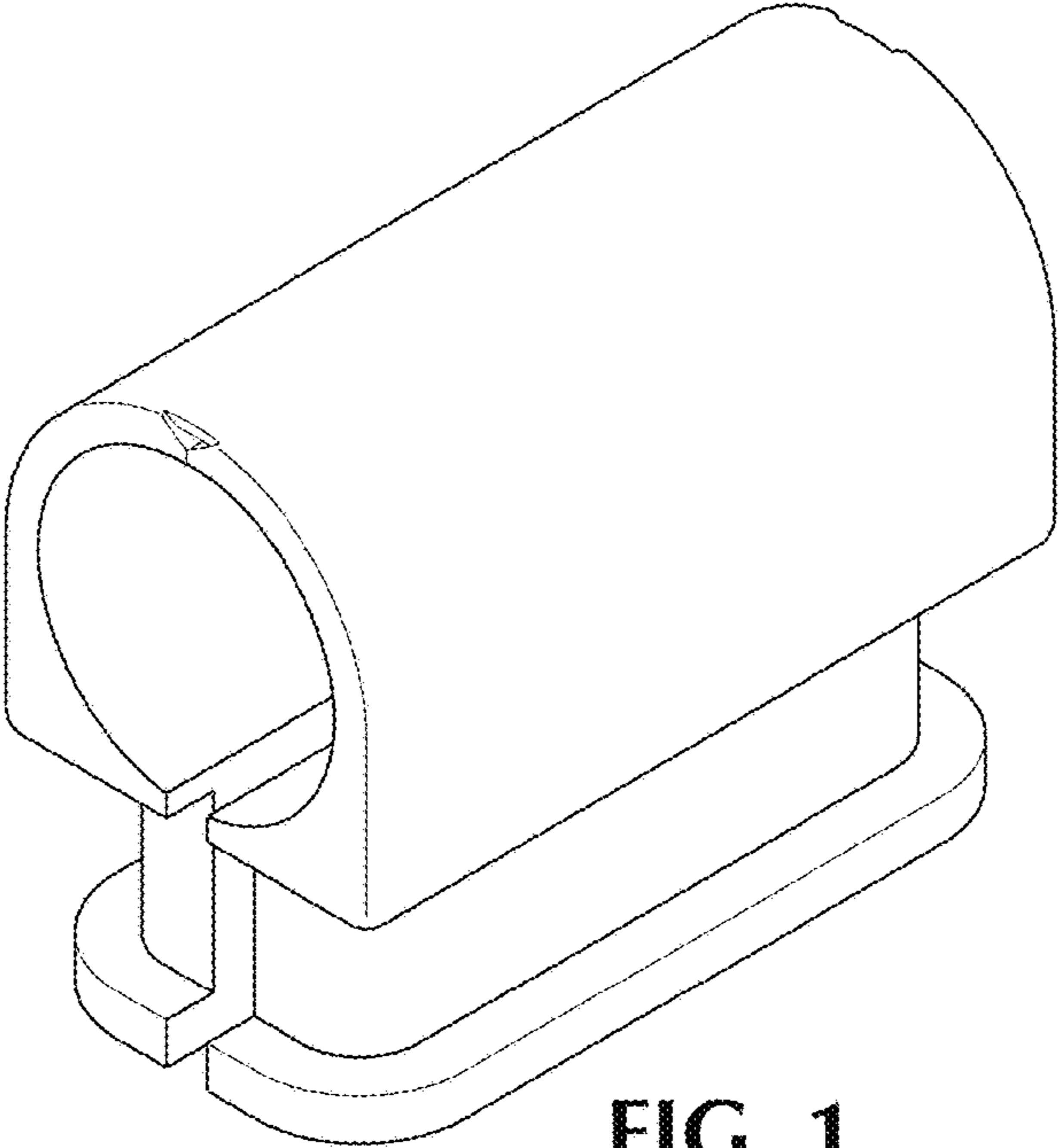


FIG. 1

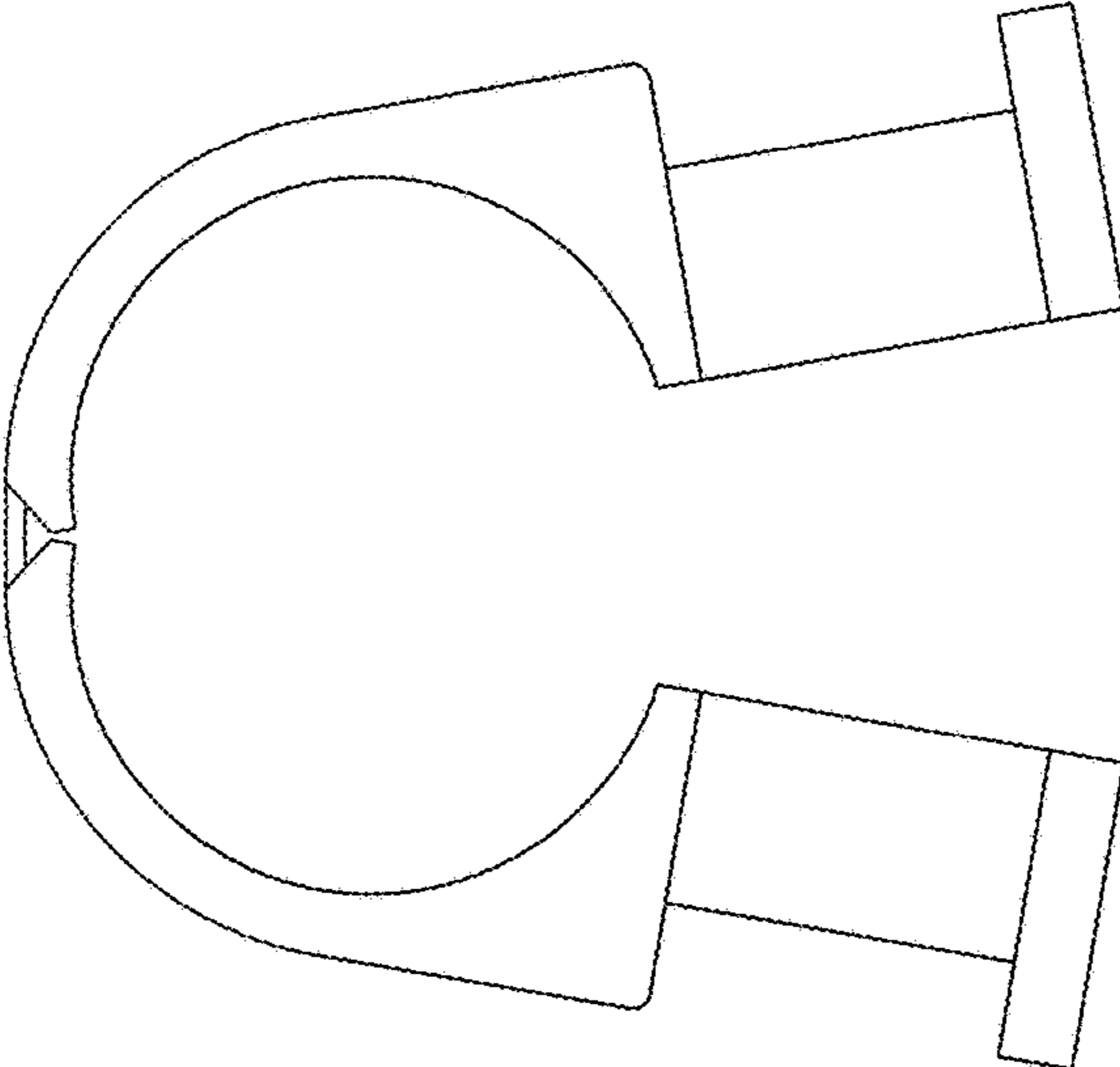


FIG. 3

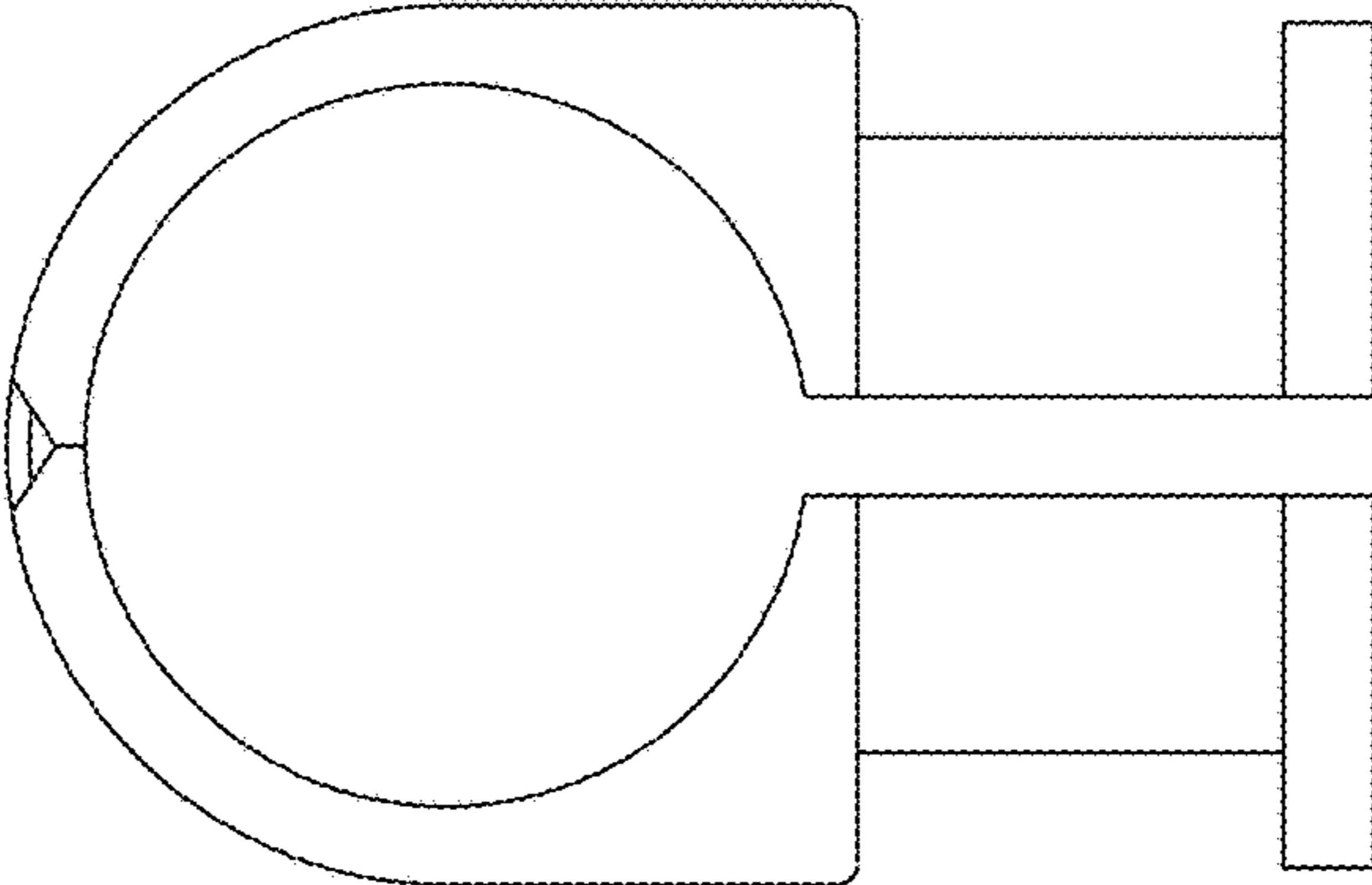


FIG. 2

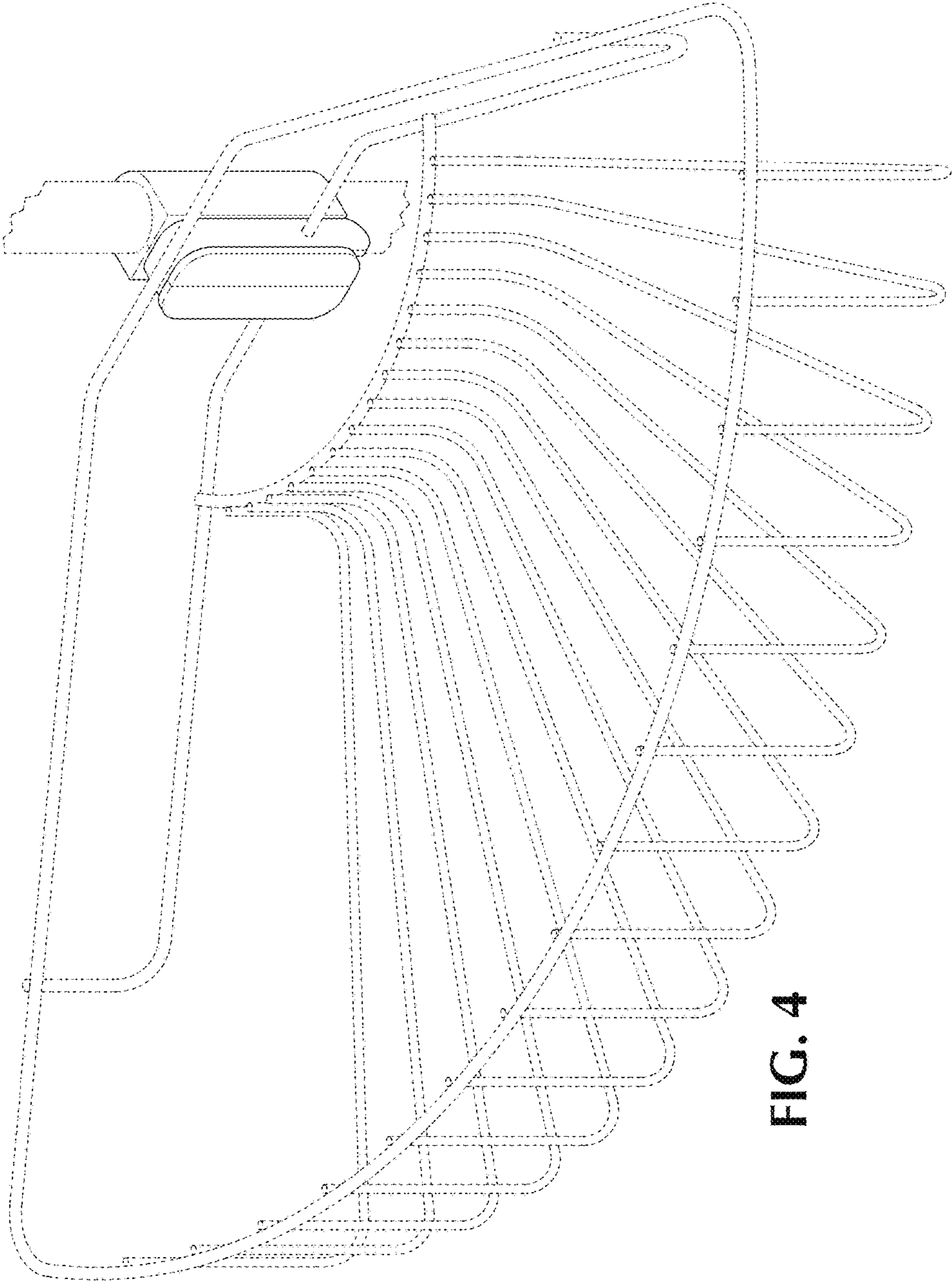


FIG. 4

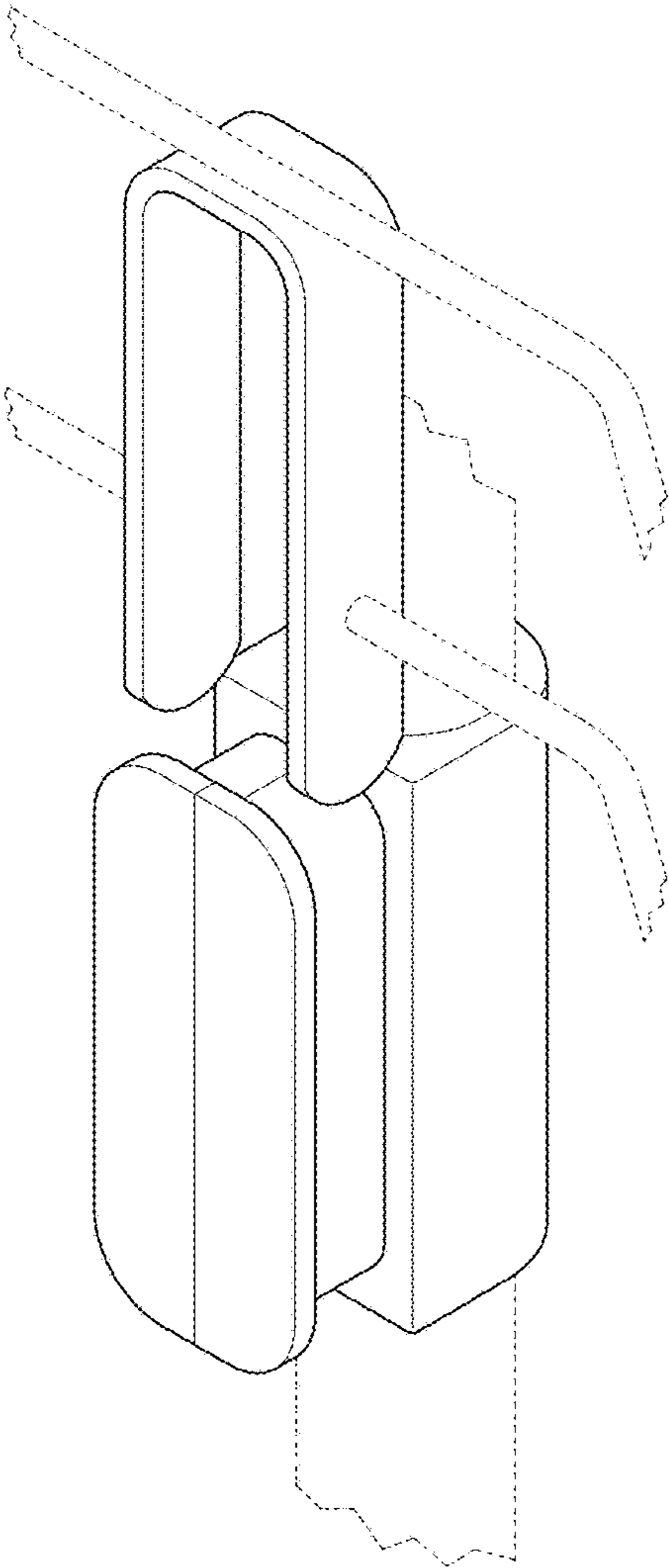


FIG. 5

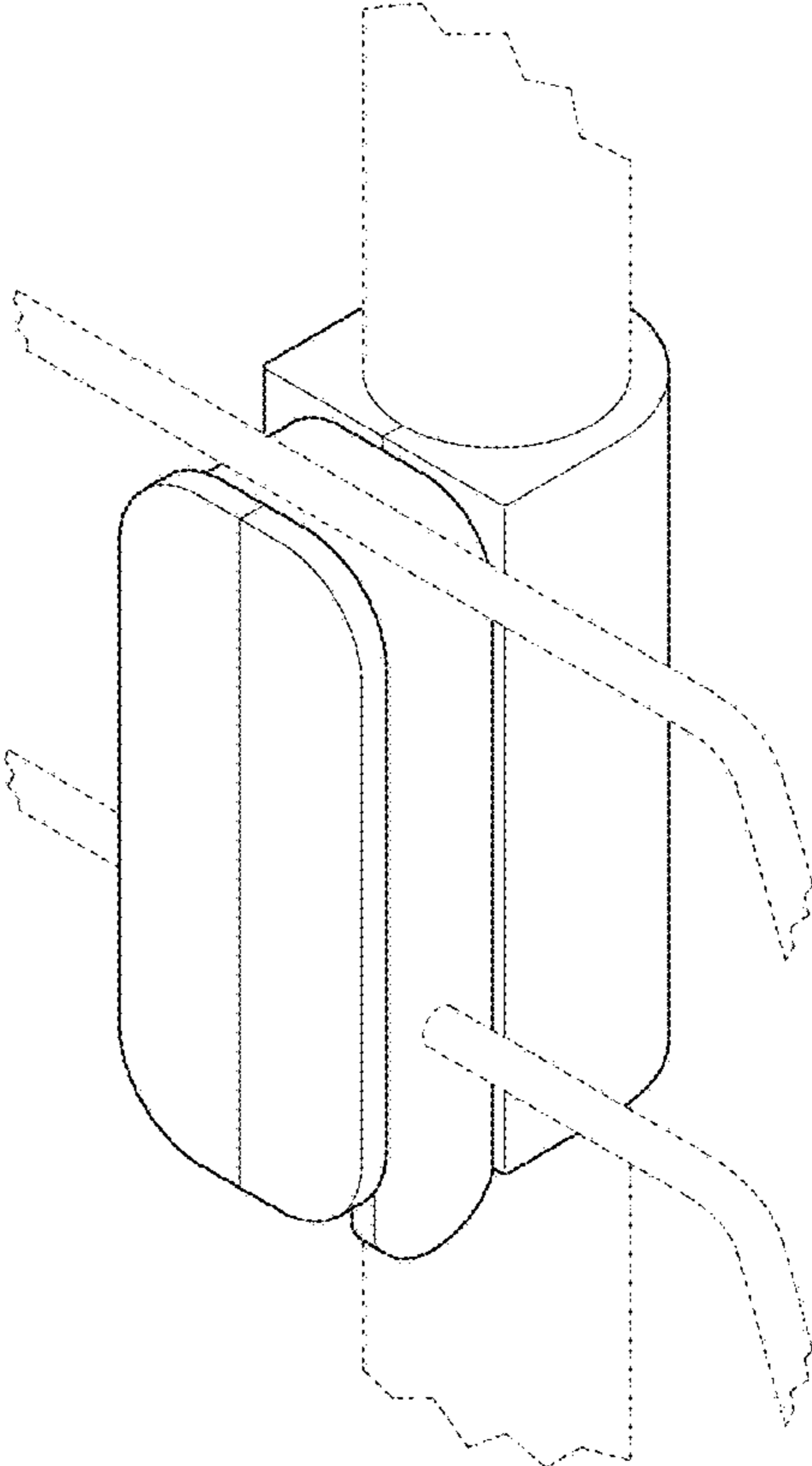


FIG. 6