

US00D866299S

(12) **United States Design Patent**
Kovacs et al.

(10) **Patent No.:** **US D866,299 S**
(45) **Date of Patent:** **** Nov. 12, 2019**

- (54) **CORRUGATED ROOF BRACKET**
- (71) Applicant: **PMC Industries, Inc.**, Plainville, CT (US)
- (72) Inventors: **Tamas Kovacs**, Burlington, CT (US);
Robert Mercier, Plainville, CT (US)
- (73) Assignee: **PMC Industries, Inc.**, Plainville, CT (US)
- (**) Term: **15 Years**
- (21) Appl. No.: **29/642,511**
- (22) Filed: **Mar. 29, 2018**
- (51) **LOC (12) Cl.** **08-05**
- (52) **U.S. Cl.**
USPC **D8/354**
- (58) **Field of Classification Search**
USPC D8/354, 356, 499; D25/52, 119–125,
D25/131–137, 164, 199; D12/223, 400;
D34/29, 35
CPC E04D 13/0641; E04D 13/064; E04D
13/0725
See application file for complete search history.

(56) **References Cited**

U.S. PATENT DOCUMENTS

- 42,992 A * 5/1864 Howe E04D 13/10
52/25
- 756,884 A * 4/1904 Parry E04D 13/10
52/25
- 1,925,263 A * 9/1933 Levow E04D 13/10
52/25
- 2,079,768 A * 5/1937 Levow E04D 13/10
52/25
- 3,182,762 A * 5/1965 Syak E01D 19/103
256/59
- 5,609,326 A * 3/1997 Stearns E04D 13/10
182/45

- 5,613,328 A * 3/1997 Alley E04D 13/10
52/24
- D397,809 S * 9/1998 Nelson D25/199
- D426,453 S * 6/2000 Stearns D8/354
- 6,223,477 B1 * 5/2001 Alley E04D 13/10
256/12.5
- 6,256,934 B1 * 7/2001 Alley E04D 13/10
52/24
- 6,298,608 B1 * 10/2001 Alley E04D 13/10
248/207
- 6,357,184 B1 * 3/2002 Alley E04D 13/10
211/182
- 6,453,623 B1 * 9/2002 Nelson E04D 13/10
411/432
- 6,536,166 B1 * 3/2003 Alley E04D 13/10
411/432
- 6,647,671 B1 * 11/2003 Alley E04D 13/10
52/24
- 8,607,507 B2 * 12/2013 Anderson E04D 13/10
248/535

(Continued)

Primary Examiner — Keli L Hill

Assistant Examiner — Harold E Blackwell, II

(74) *Attorney, Agent, or Firm* — Damian Wasserbauer, Esq.; Wasserbauer Law LLC

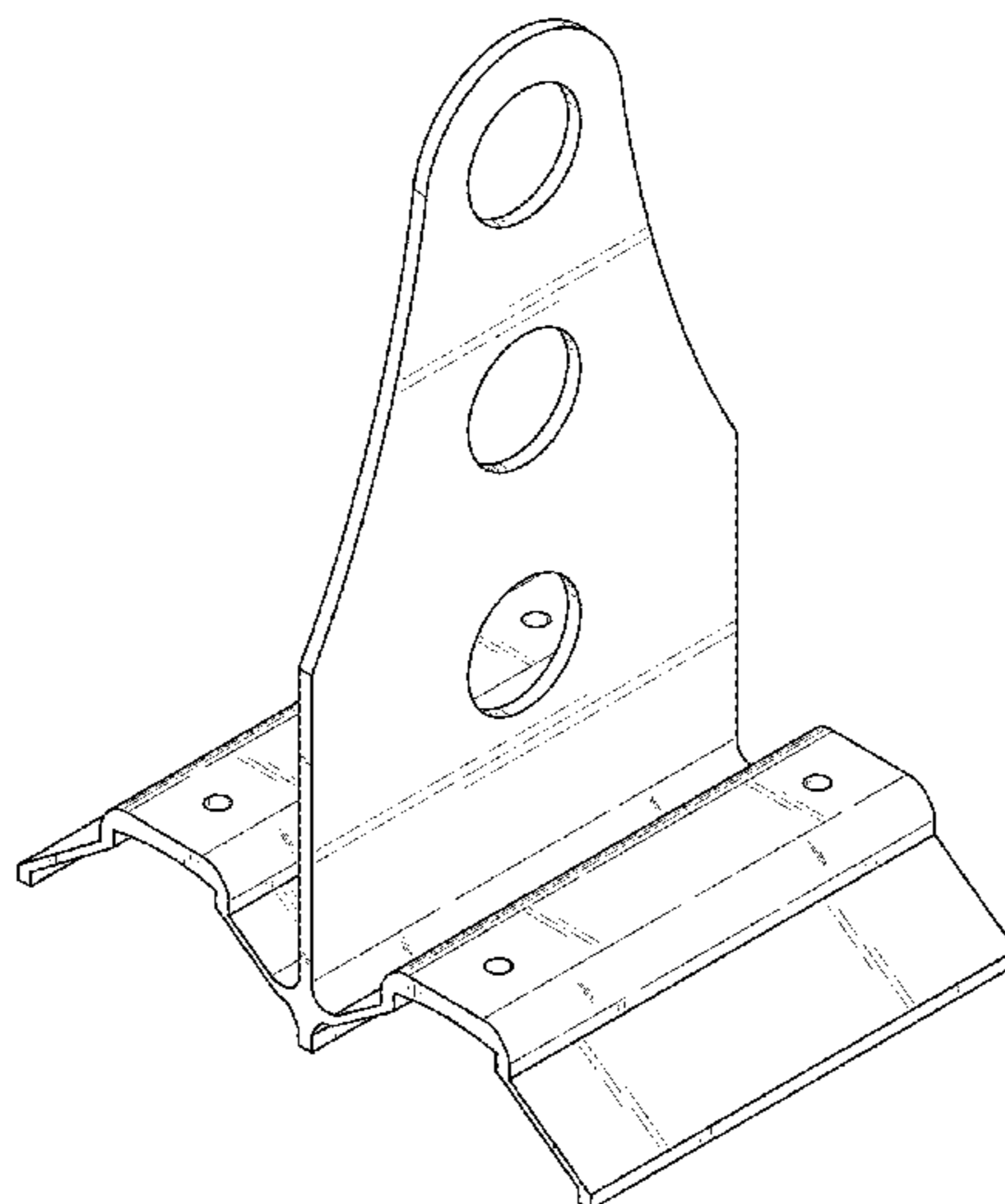
(57) **CLAIM**

The ornamental design for a corrugated roof bracket, as shown and described.

DESCRIPTION

FIG. 1 is a perspective view of a corrugated roof bracket of the present invention;
FIG. 2 is a bottom perspective view thereof;
FIG. 3 is a front view of the invention;
FIG. 4 is a rear view of the invention;
FIG. 5 is a left side view of the invention;
FIG. 6 is a right side view of the invention;
FIG. 7 is a top view of the invention; and,
FIG. 8 is a bottom view of the invention.

1 Claim, 8 Drawing Sheets



(56)

References Cited

U.S. PATENT DOCUMENTS

2001/0045064 A1 * 11/2001 Alley E04D 13/10
52/25

* cited by examiner

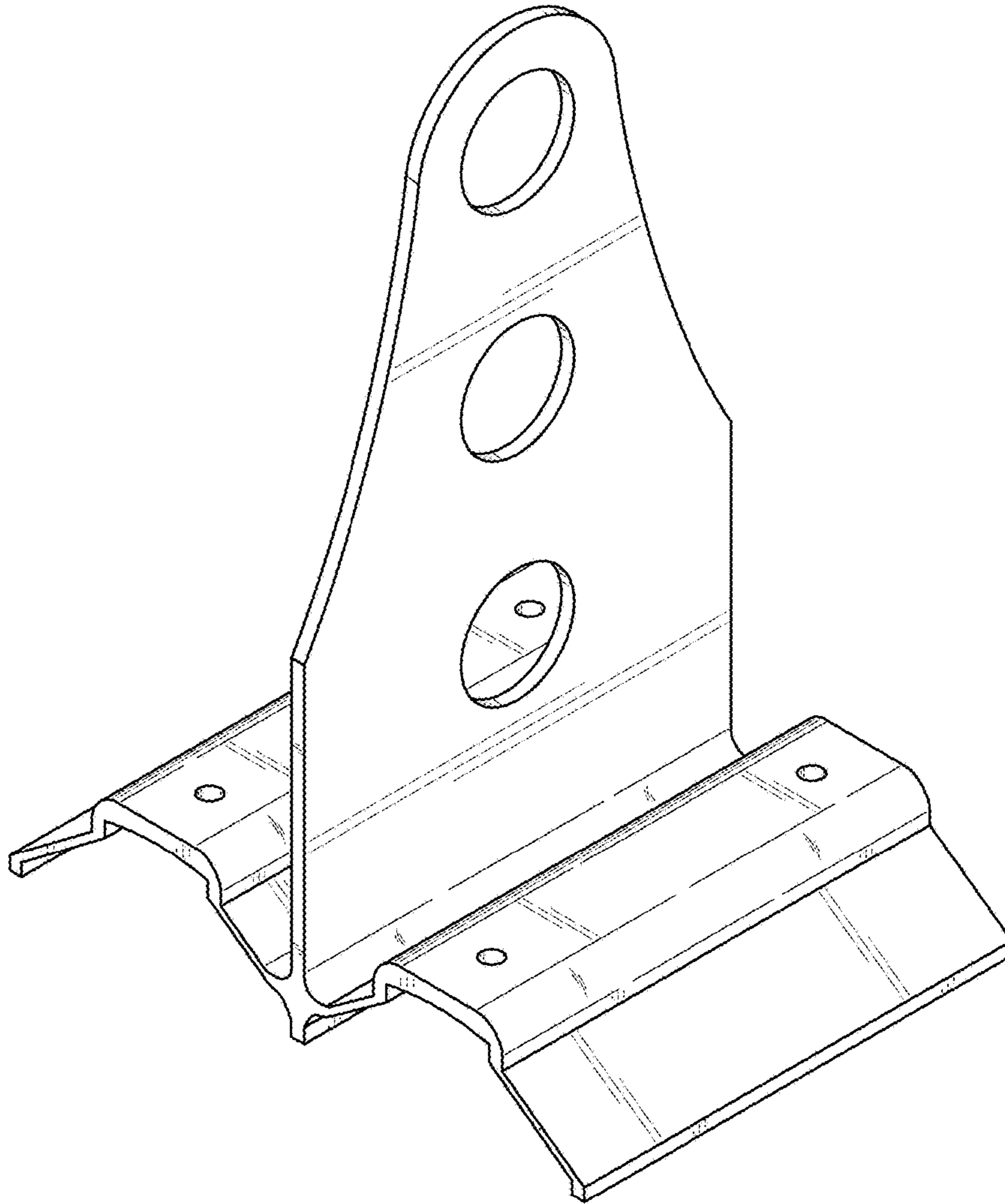


FIG. 1

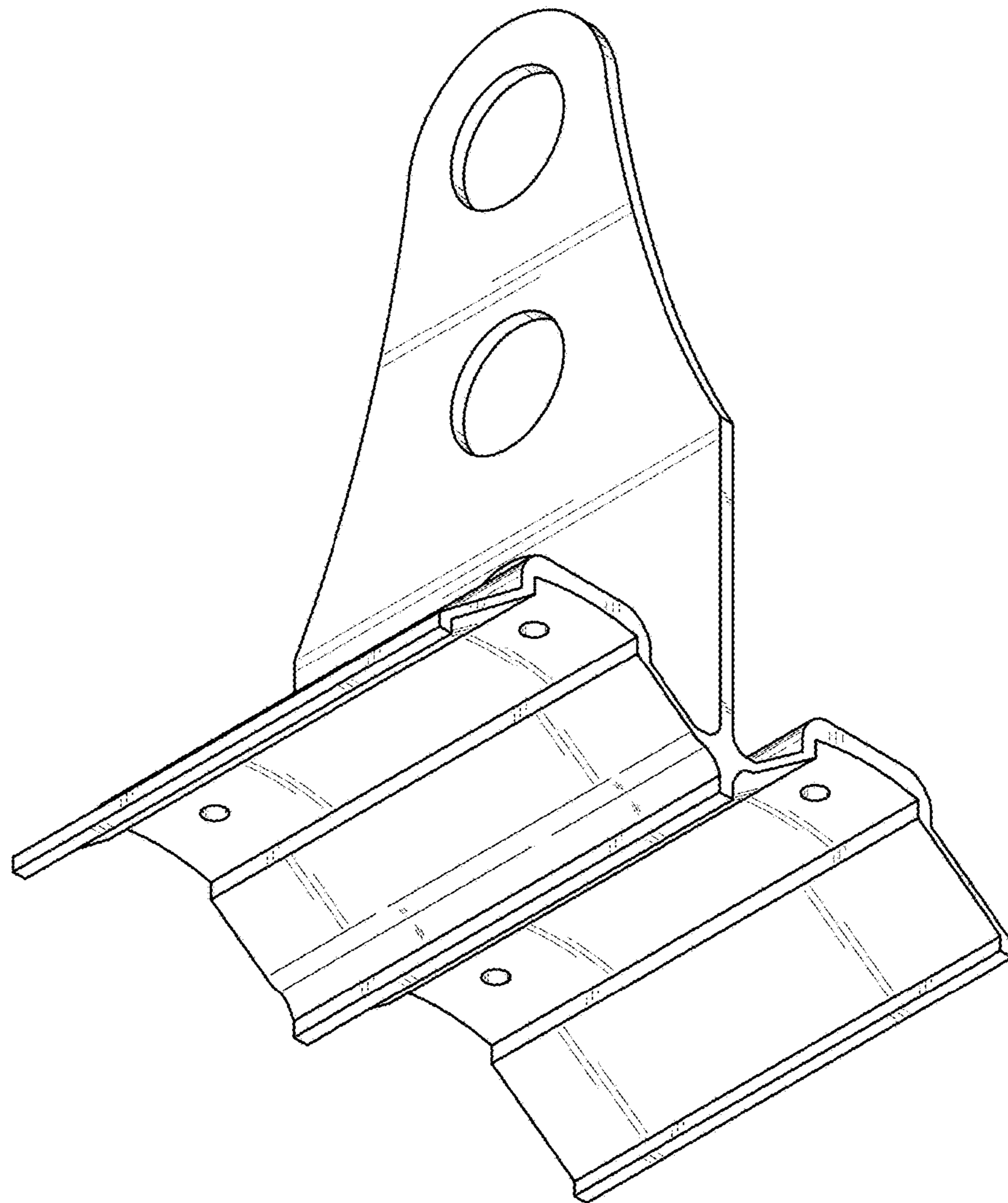


FIG. 2

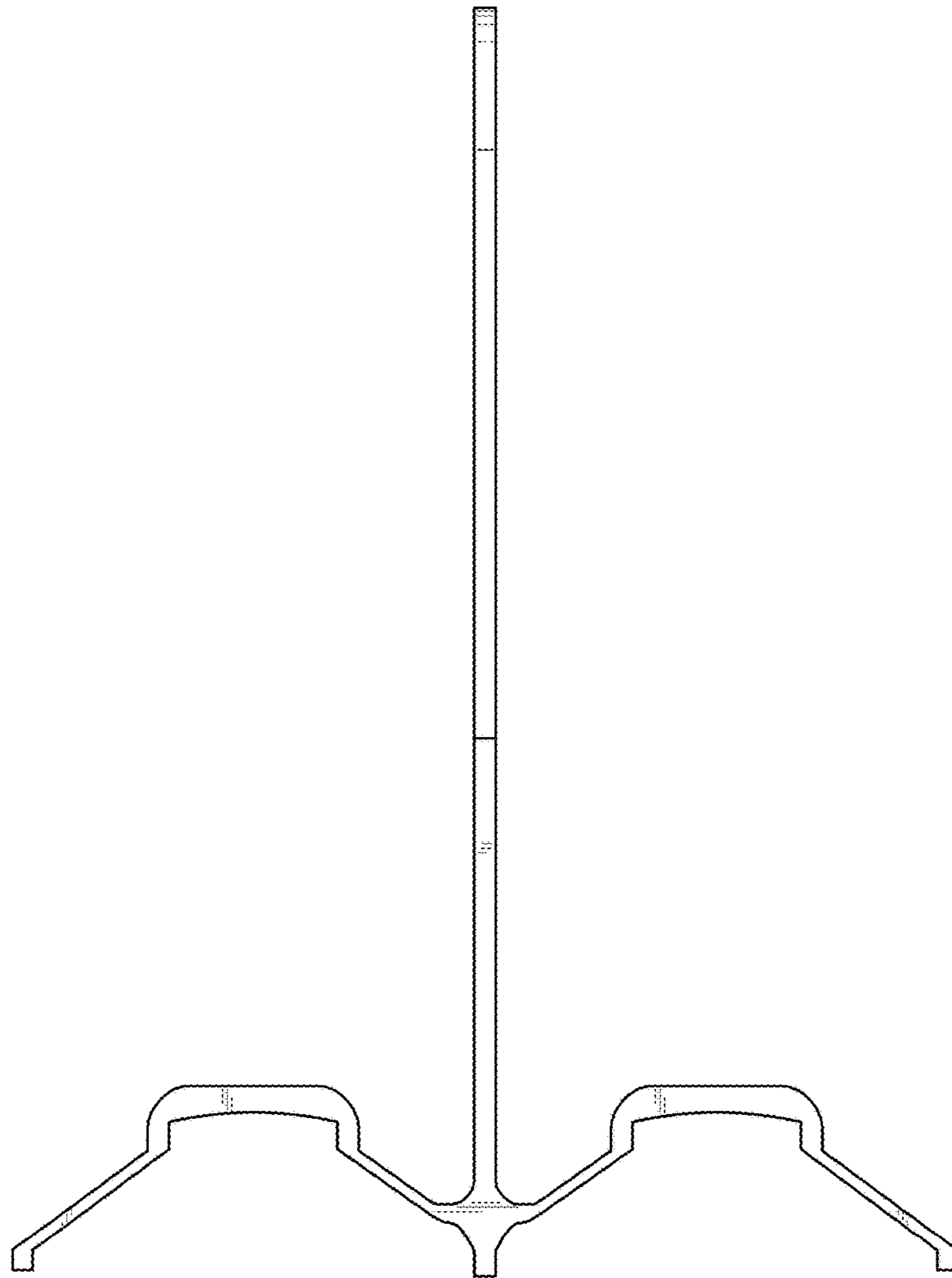


FIG. 3

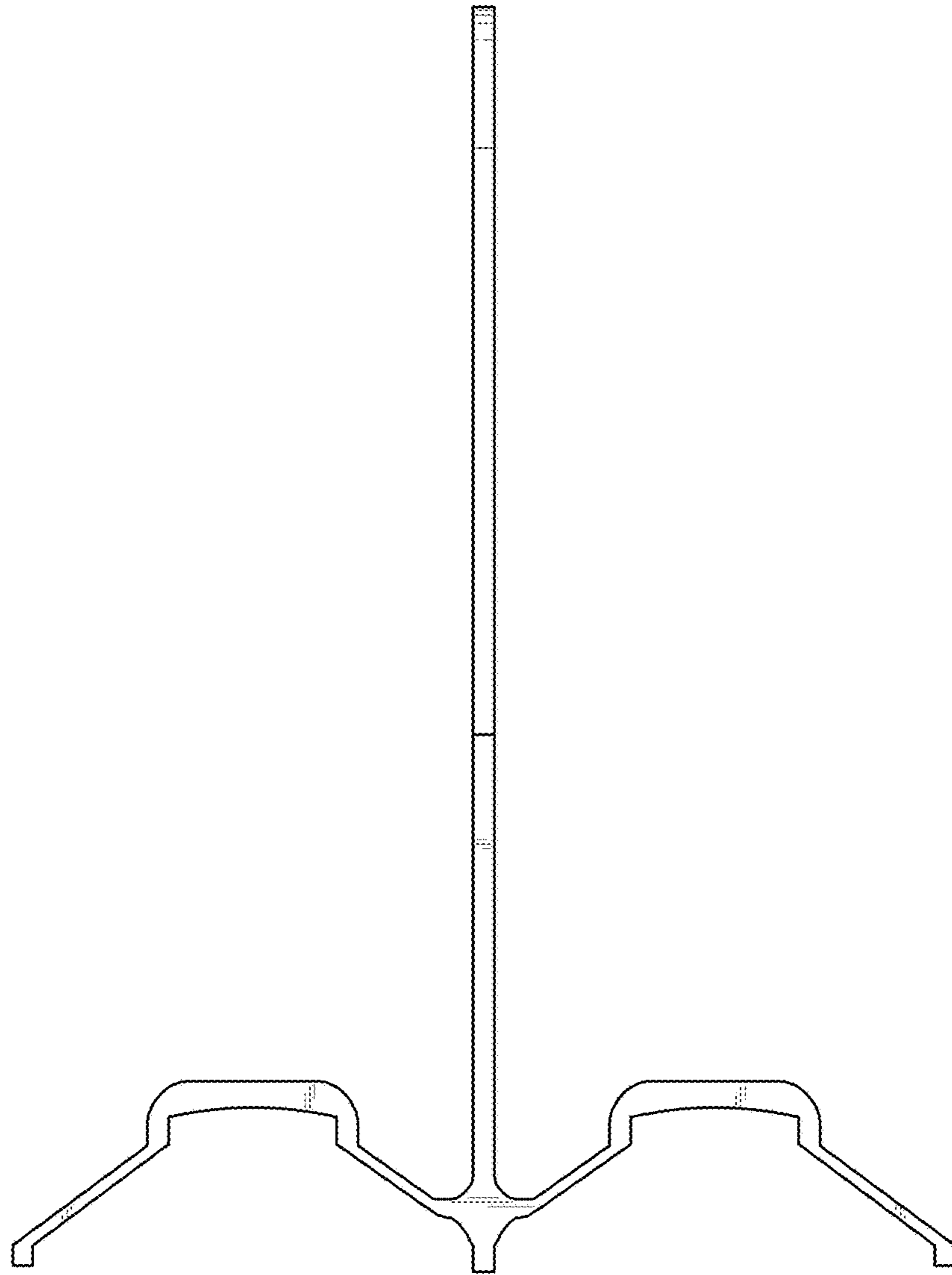


FIG. 4

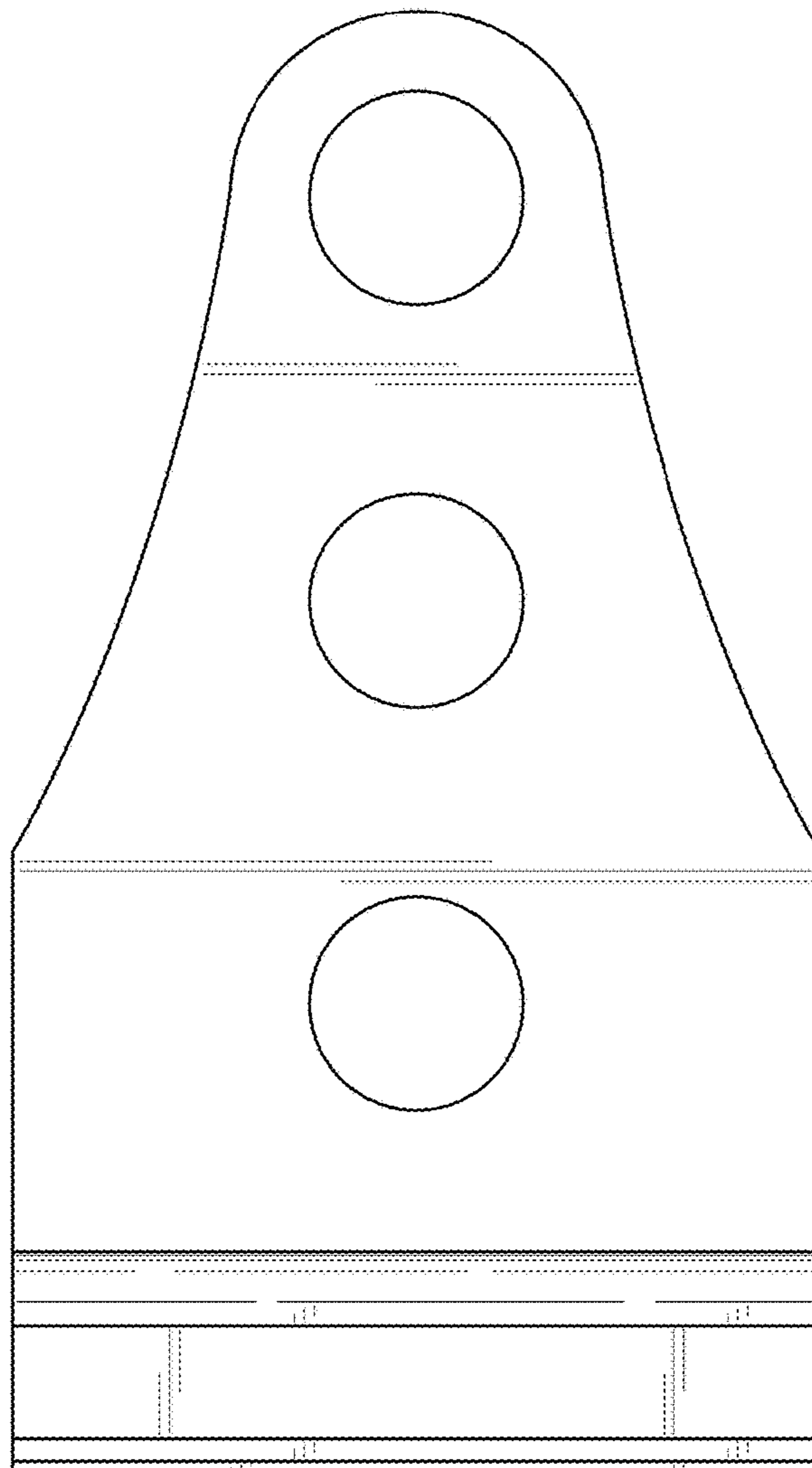


FIG. 5

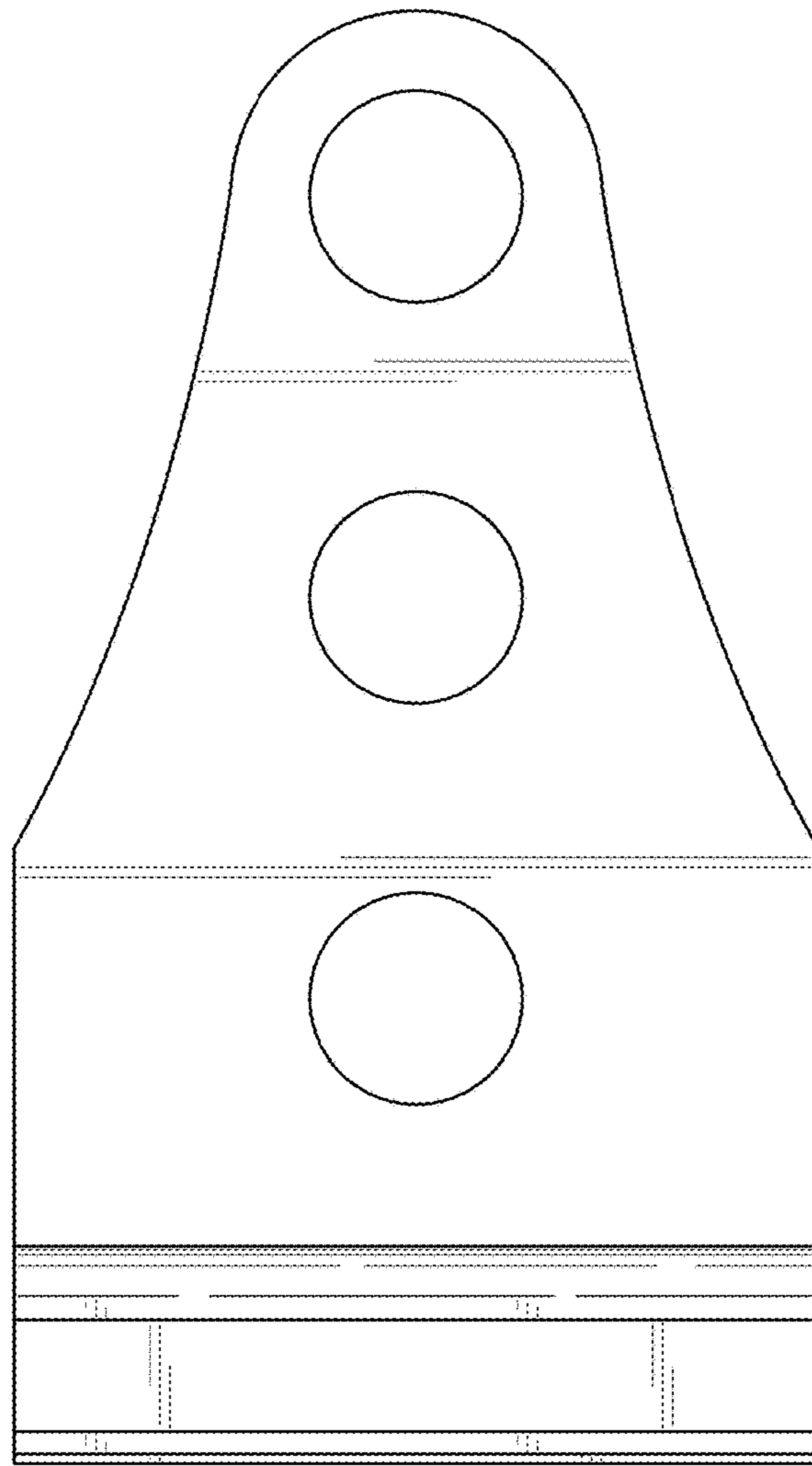


FIG. 6

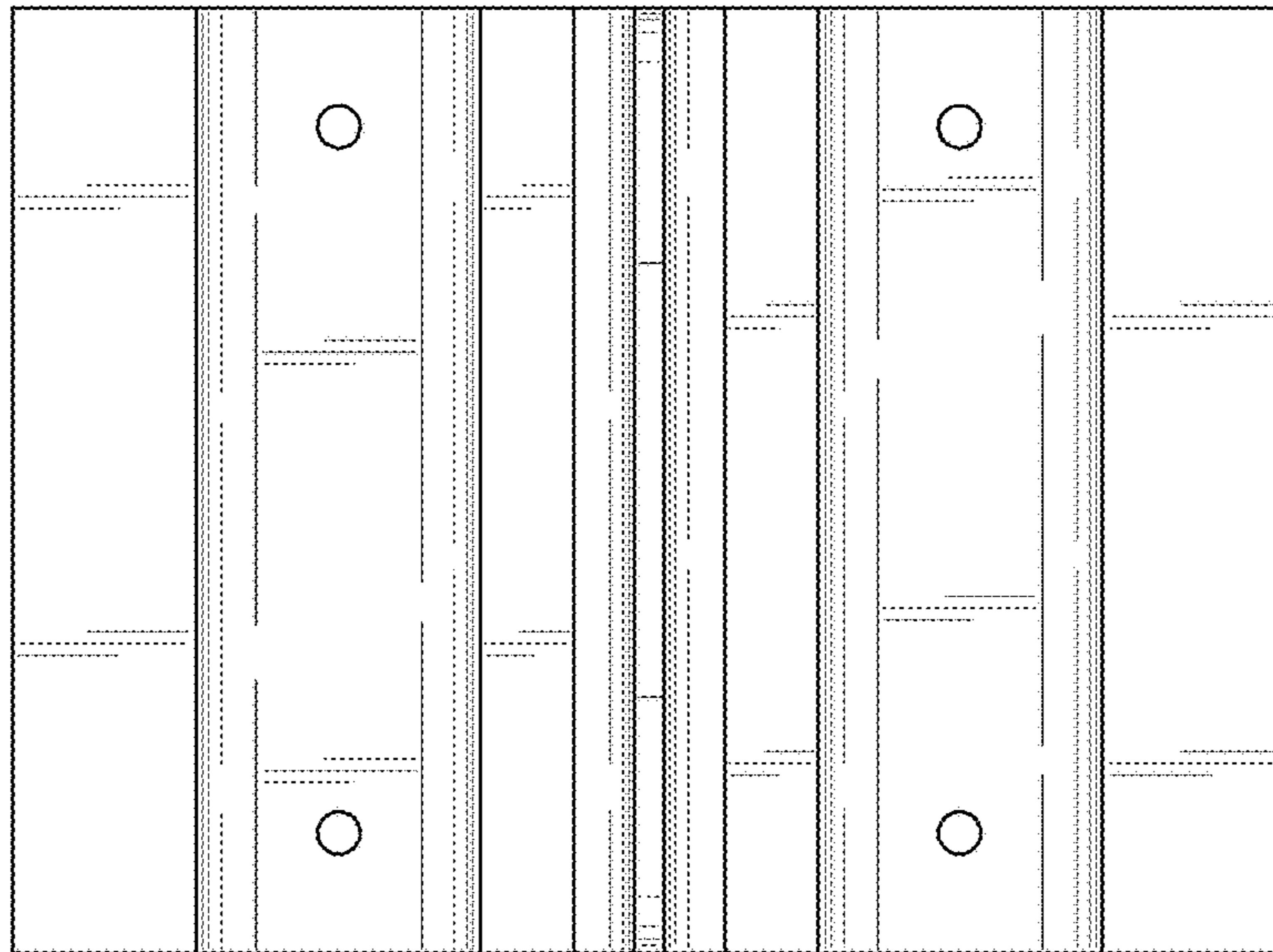


FIG. 7

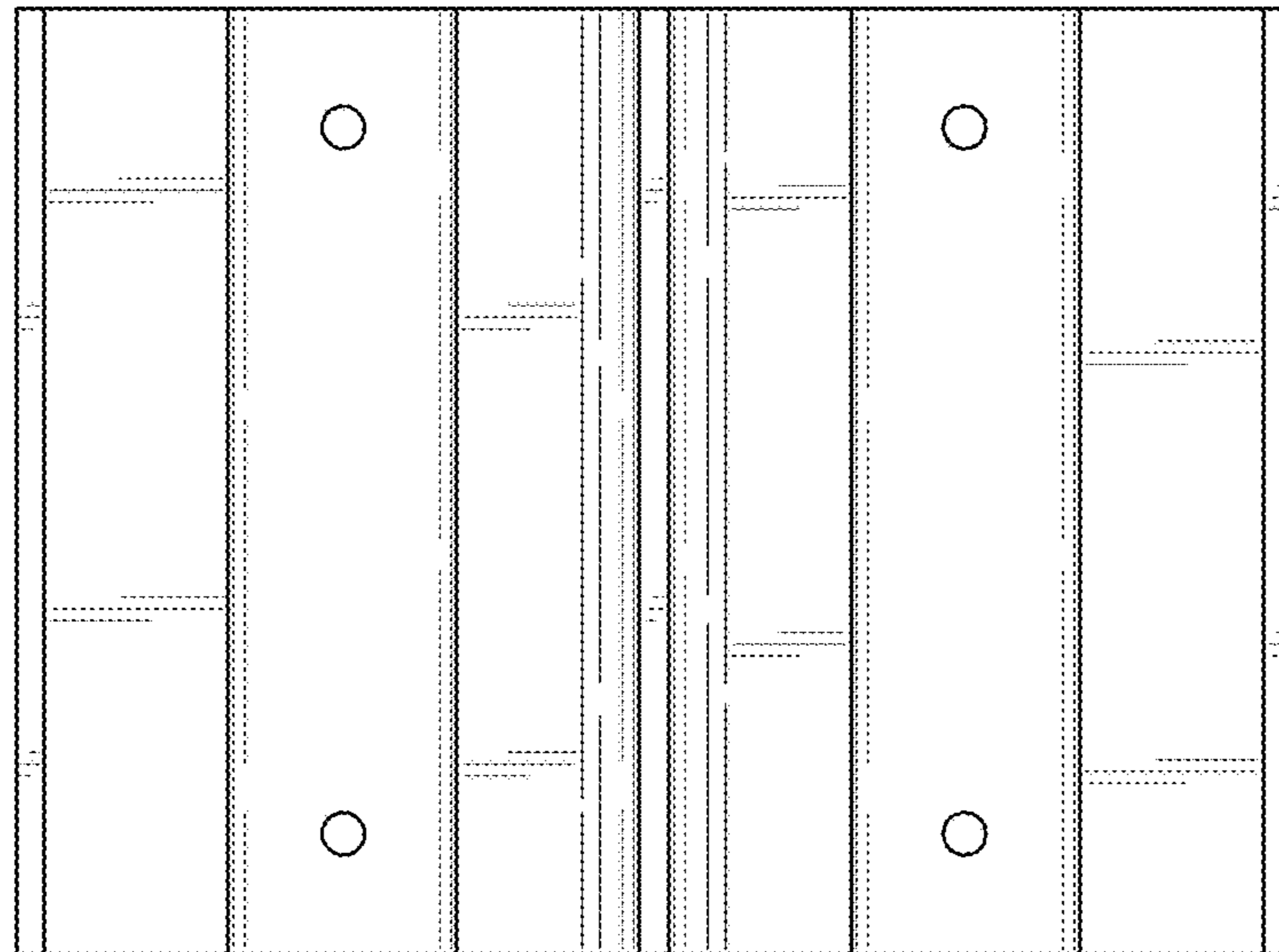


FIG. 8