



US00D866297S

(12) **United States Design Patent**
Sighinolfi

(10) **Patent No.:** **US D866,297 S**

(45) **Date of Patent:** **** Nov. 12, 2019**

(54) **FASTENING DEVICE**

(71) Applicant: **RAIMONDI S.P.A.**, Modena (IT)

(72) Inventor: **Riccardo Sighinolfi**, Rubiera (IT)

(73) Assignee: **RAIMONDI S.P.A.**, Modena (IT)

(**) Term: **15 Years**

(21) Appl. No.: **29/640,543**

(22) Filed: **Mar. 15, 2018**

(30) **Foreign Application Priority Data**

Sep. 15, 2017 (EM) 004354926-0001

(51) **LOC (12) Cl.** **08-05**

(52) **U.S. Cl.**
USPC **D8/354**

(58) **Field of Classification Search**
USPC D8/47, 354, 349, 374, 394
CPC E04F 13/0892; E04F 15/02005; E04F
2015/02094; E04F 15/02022; E04F 21/22;
E04F 21/1877; E04F 21/1844; E04F
21/0092; E04F 21/20
See application file for complete search history.

(56) **References Cited**

U.S. PATENT DOCUMENTS

2,995,969 A * 8/1961 Kraus F16B 5/10
24/613
D491,443 S * 6/2004 Lowery D8/354
D496,851 S * 10/2004 Stephen D8/382
D535,870 S * 1/2007 Yoshiguchi D8/383
9,121,187 B1 * 9/2015 Bunch E04F 21/0092

9,279,259 B1 * 3/2016 Russo E04F 21/20
9,322,185 B1 * 4/2016 Russo E04F 21/0092
D775,935 S * 1/2017 Sarajian D8/354
D813,024 S * 3/2018 Neef D8/382
2014/0033641 A1 * 2/2014 Trevisi E04F 21/0092
52/749.1
2015/0211243 A1 * 7/2015 Irvine E04F 21/0092
52/126.1
2016/0369518 A1 * 12/2016 Sarajian E04F 21/22

* cited by examiner

Primary Examiner — Sandra S Snapp

Assistant Examiner — Ieisha N Price

(74) *Attorney, Agent, or Firm* — Browdy and Neimark,
P.L.L.C.

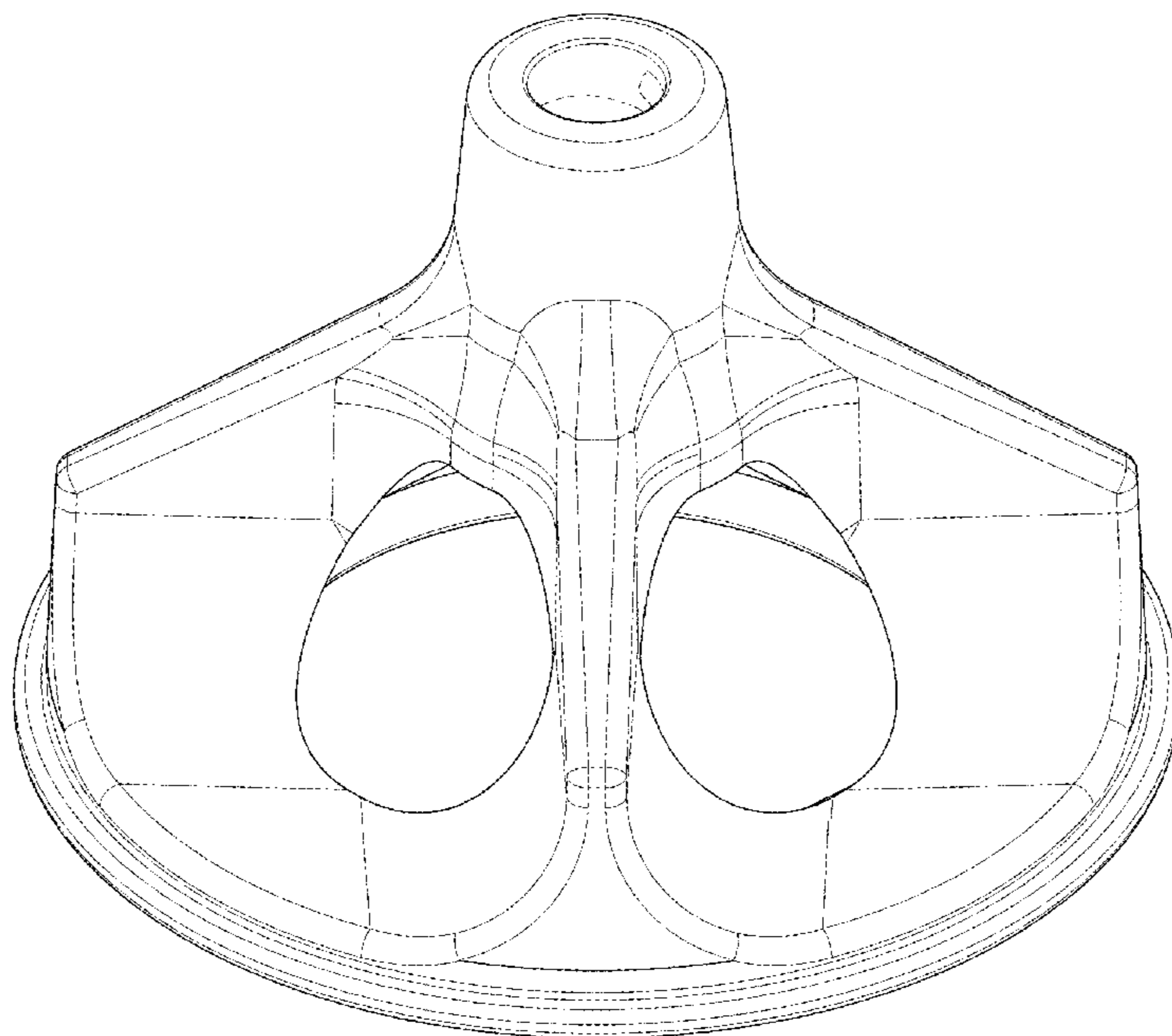
(57) **CLAIM**

The ornamental design for a fastening device, as shown and described.

DESCRIPTION

FIG. 1 is a perspective view of a fastening device according to the present design;
FIG. 2 is a second perspective view thereof;
FIG. 3 is a bottom perspective view thereof;
FIG. 4 is a side elevation view thereof;
FIG. 5 is a second side elevation view thereof;
FIG. 6 is a top view thereof;
FIG. 7 is a bottom view thereof;
FIG. 8 is the perspective view of FIG. 1 shown in assembled form; and,
FIG. 9 is a perspective side elevation view showing the fastening device in an exploded view.
The broken lines depict portions of the fastening device that form no part of claimed design.

1 Claim, 9 Drawing Sheets



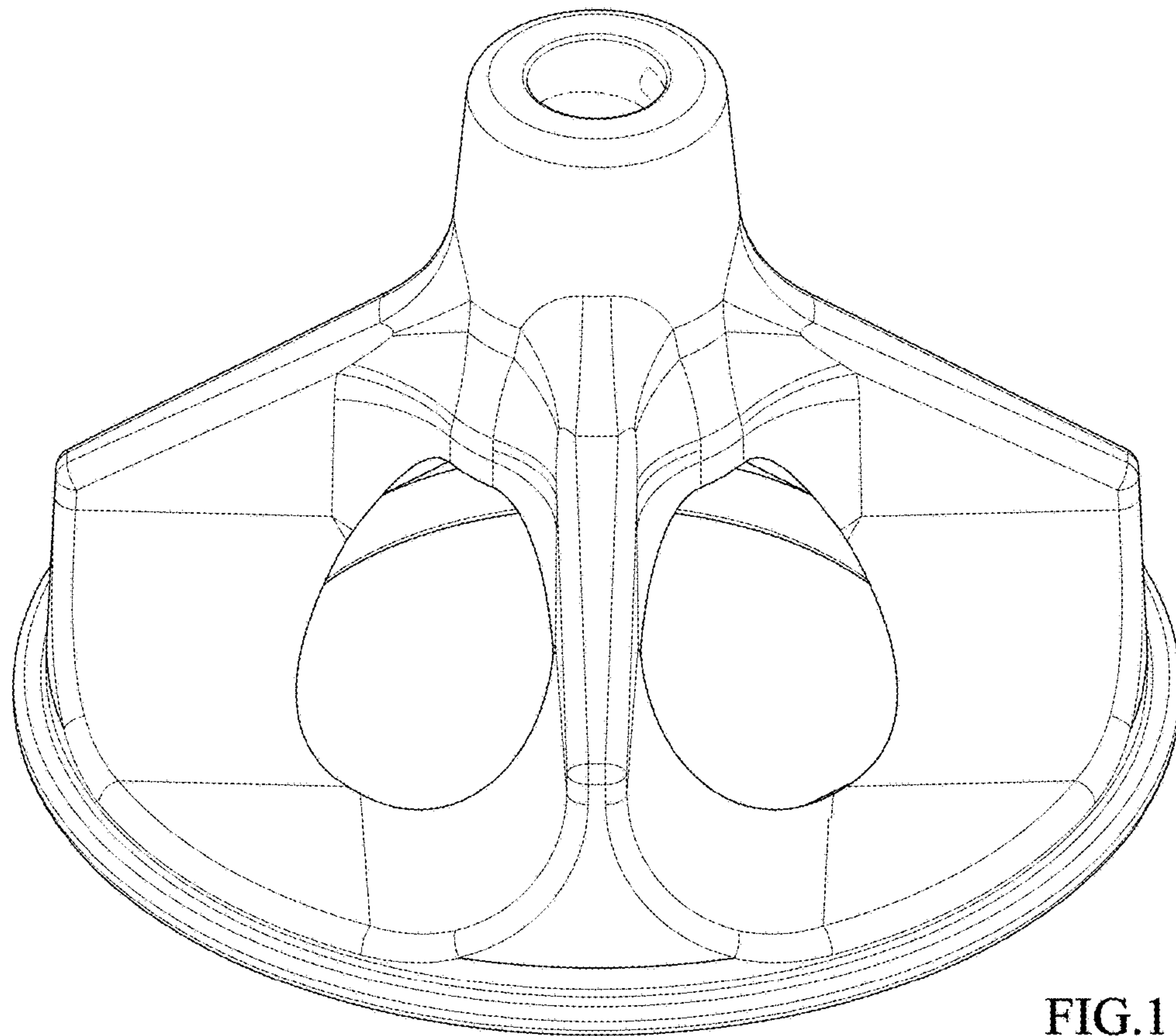


FIG. 1

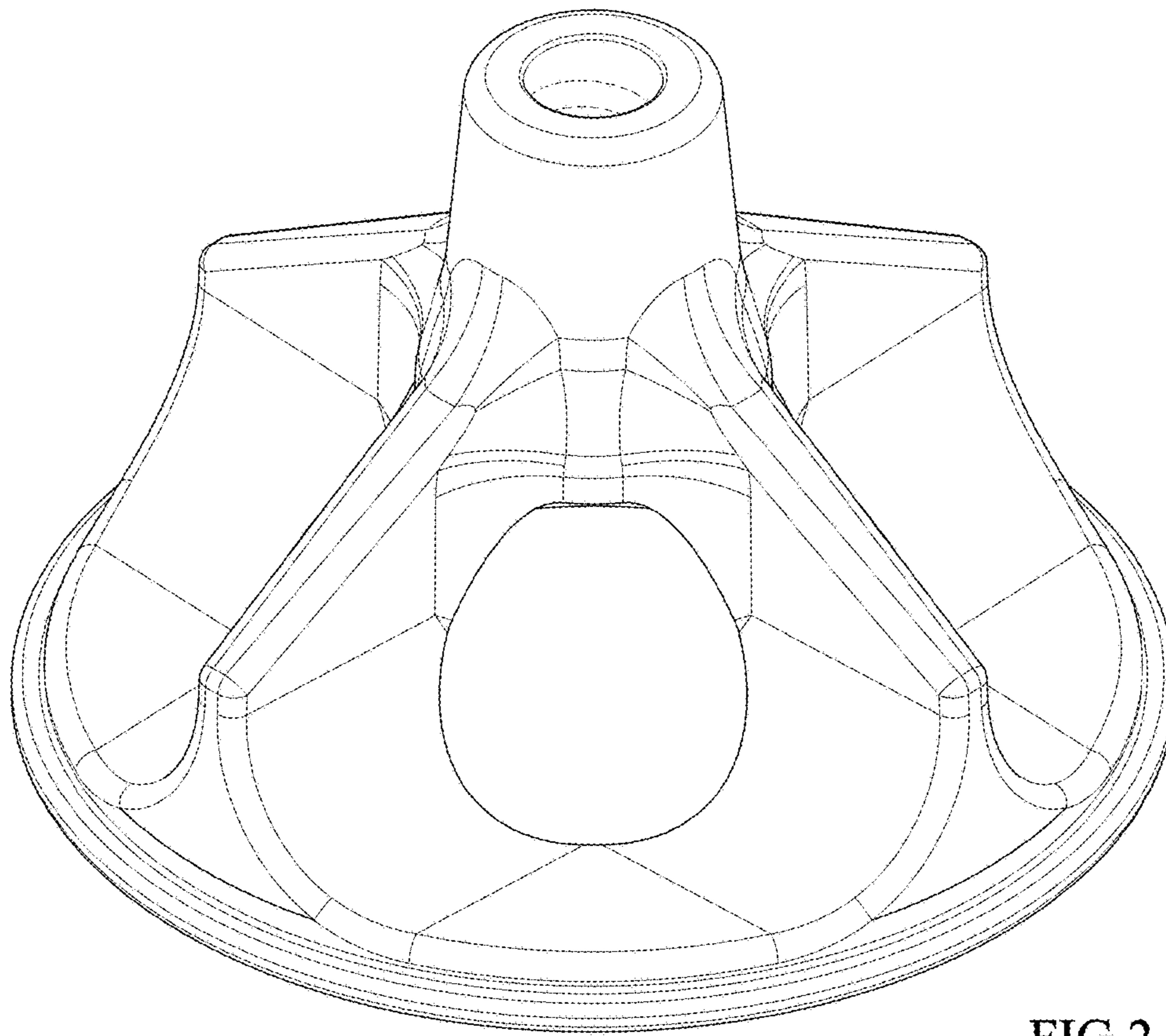


FIG.2

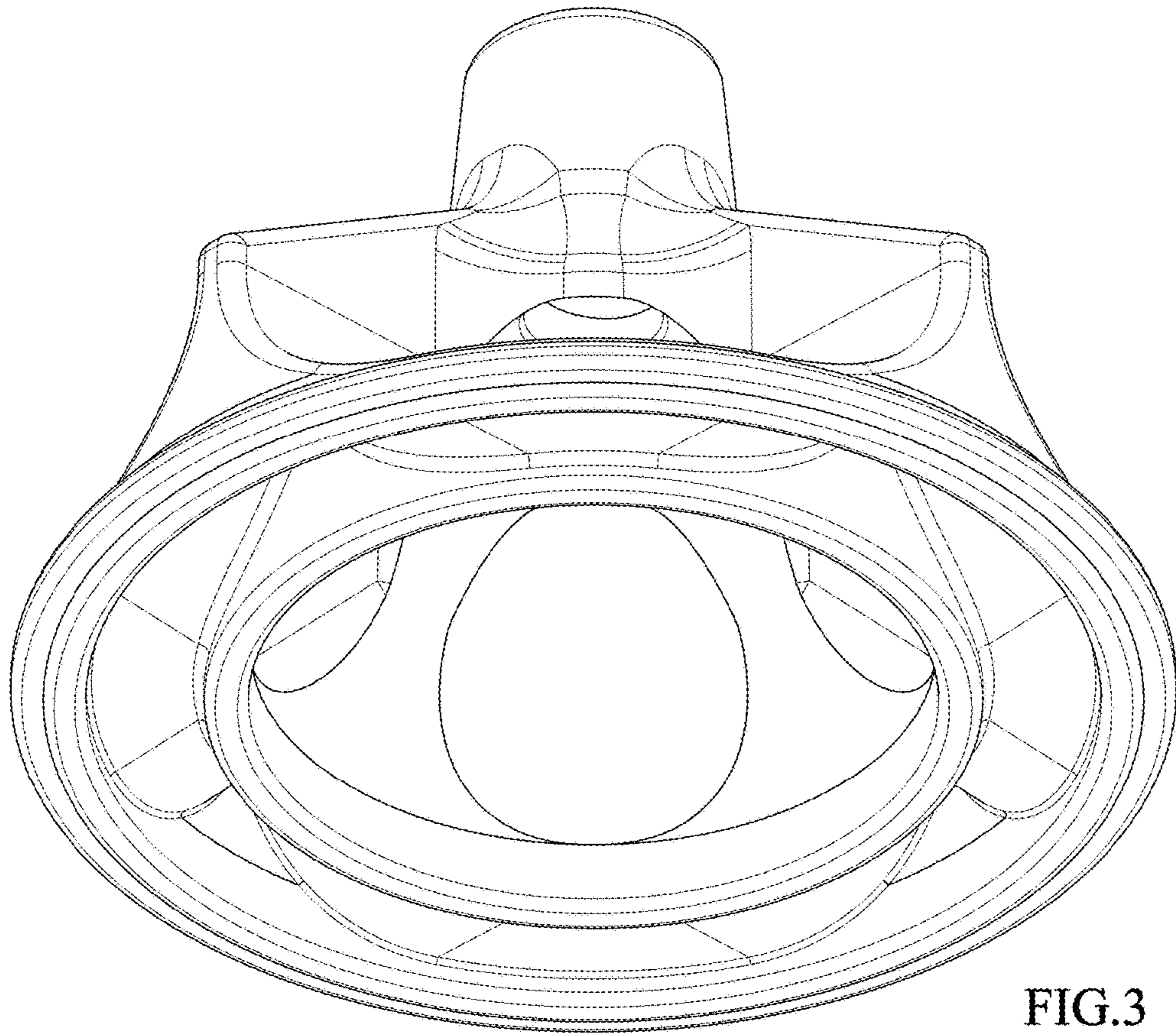


FIG.3

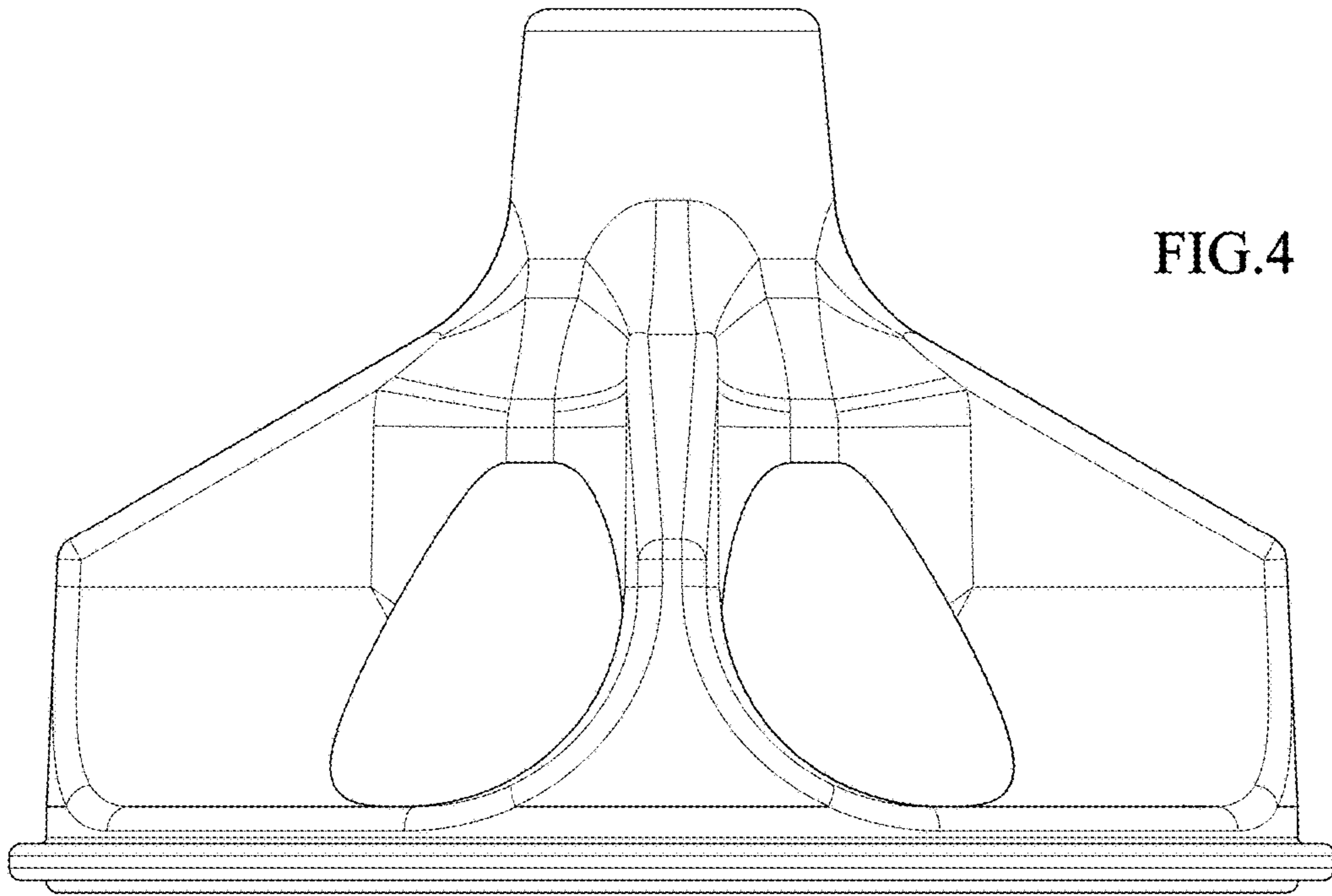


FIG. 4

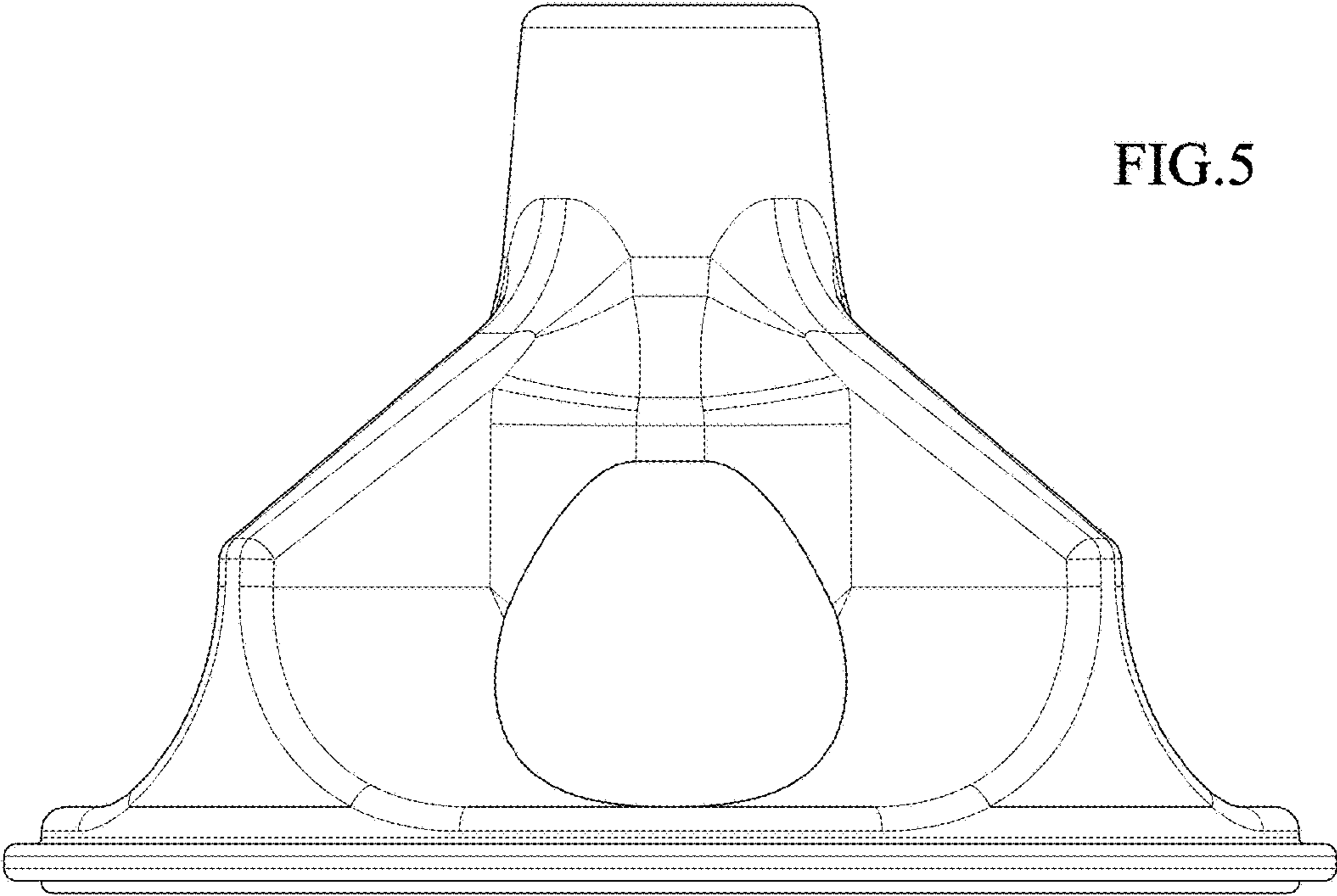


FIG. 5

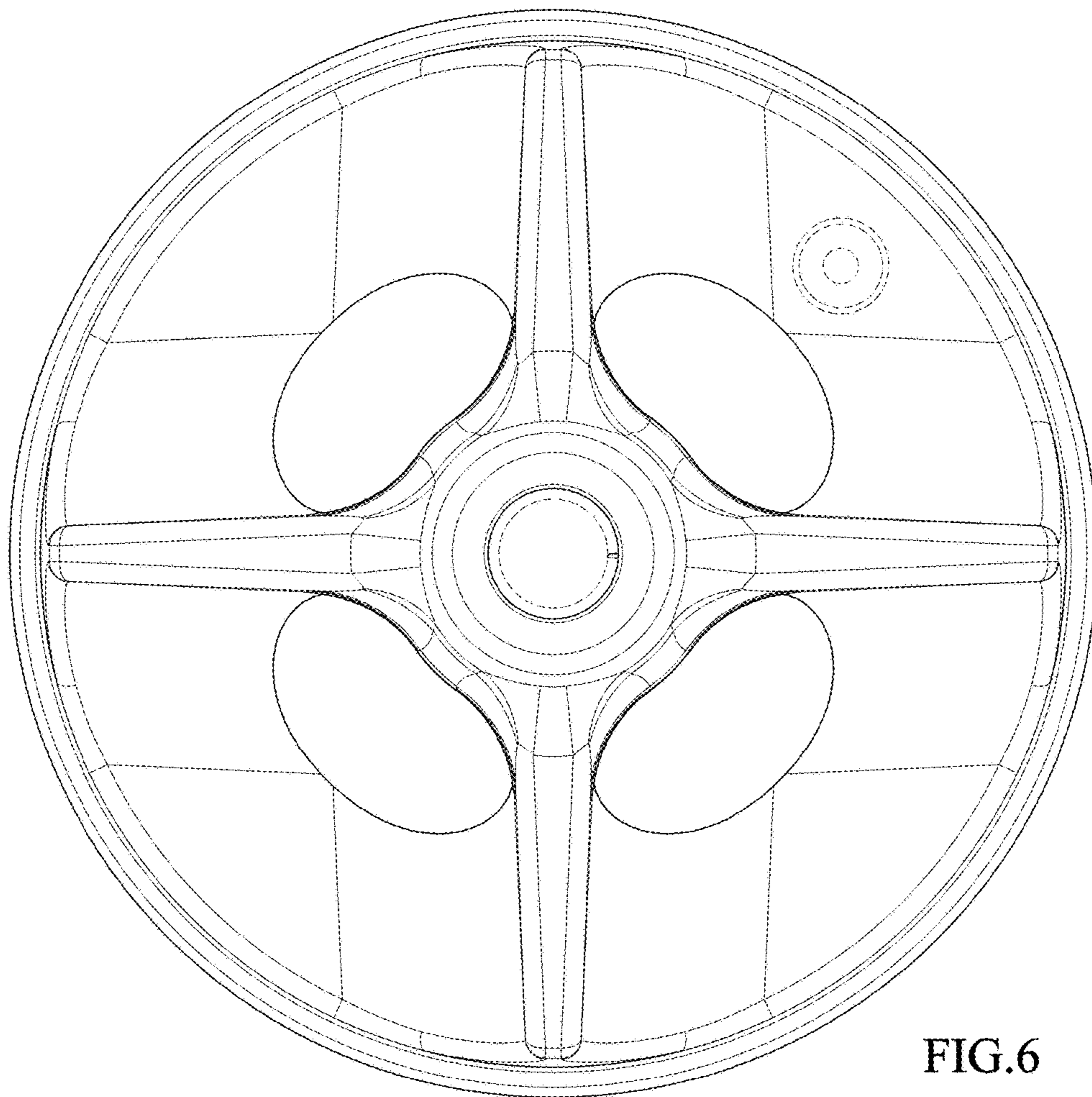


FIG.6

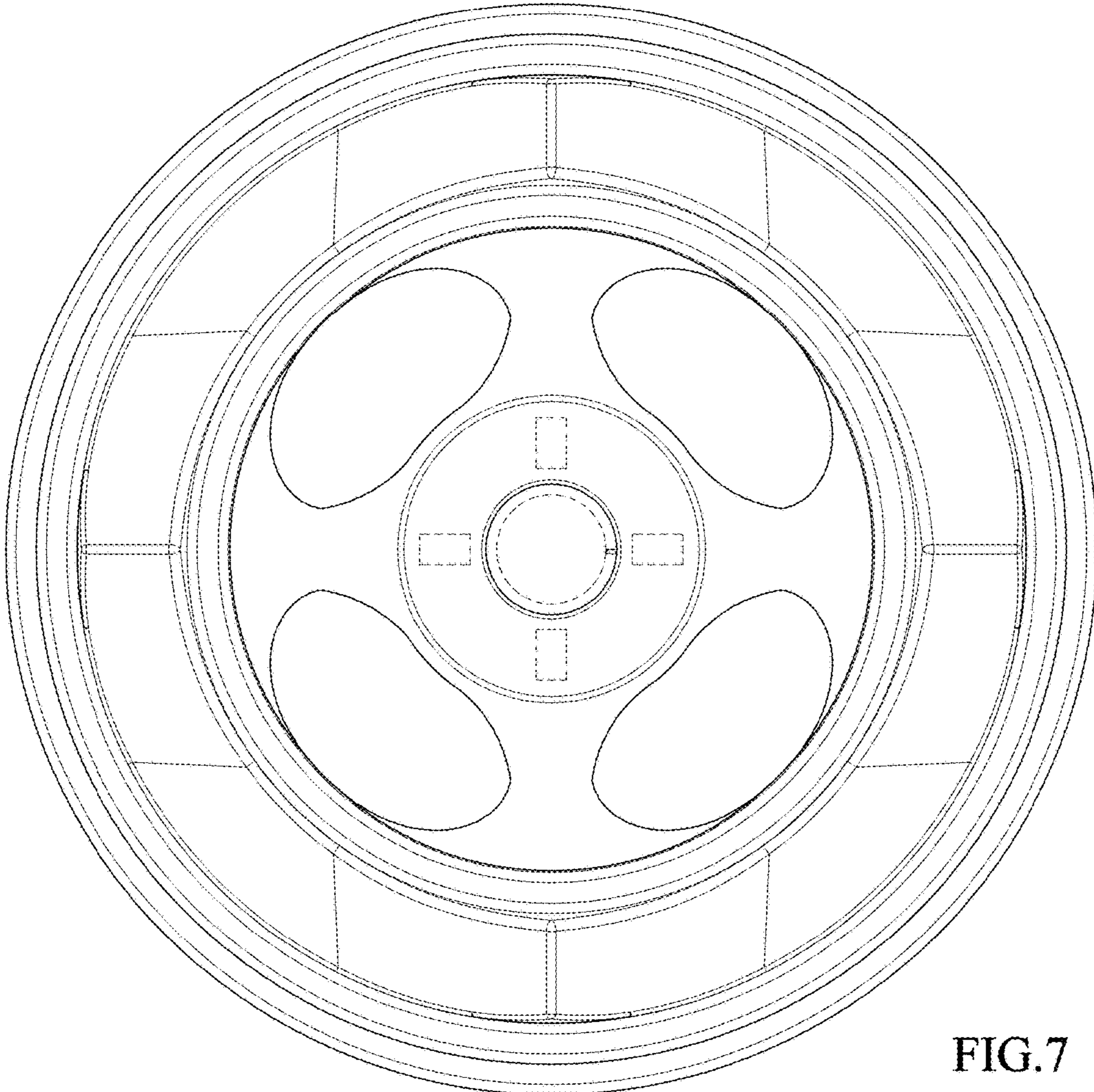


FIG.7

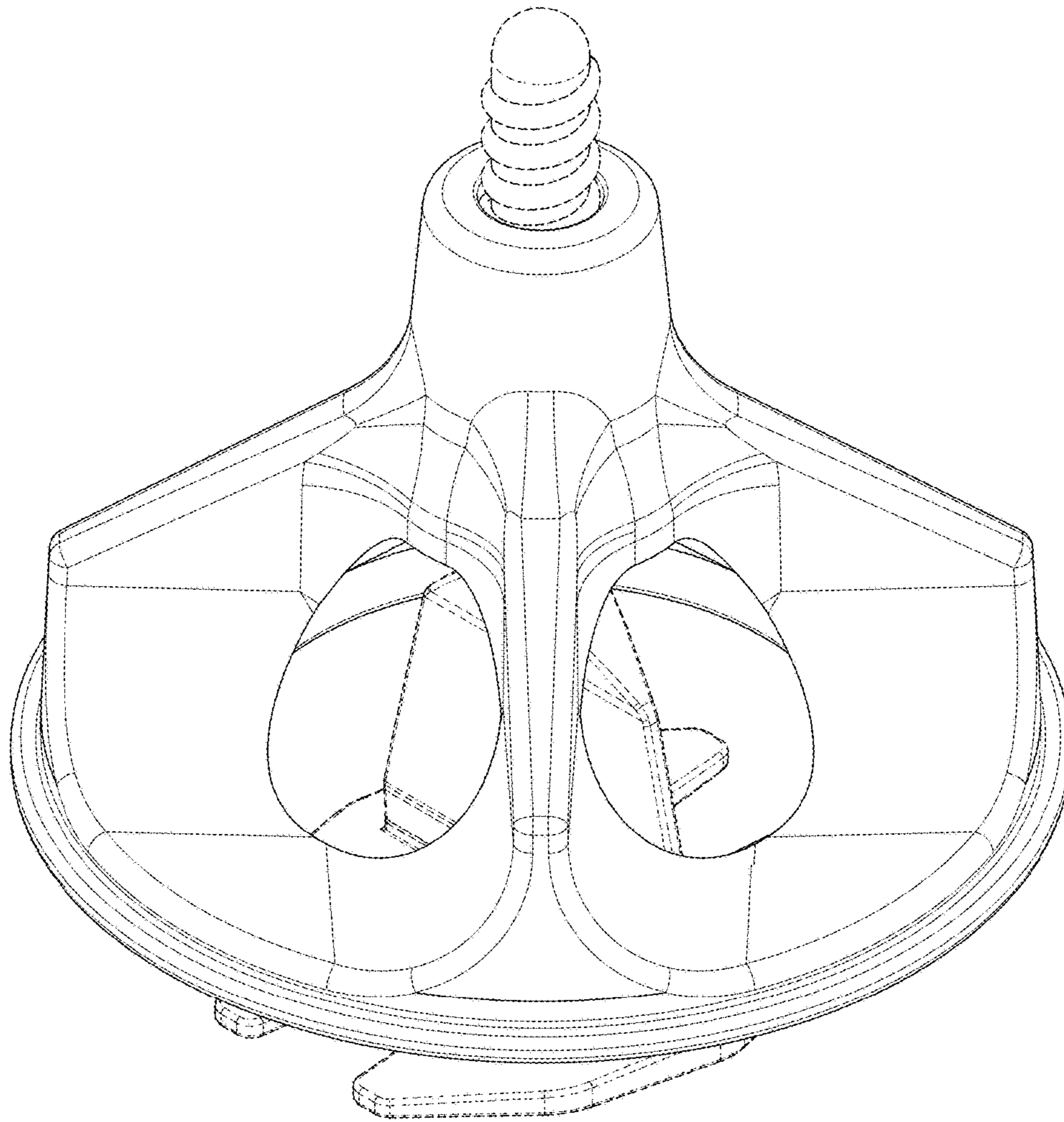


FIG.8

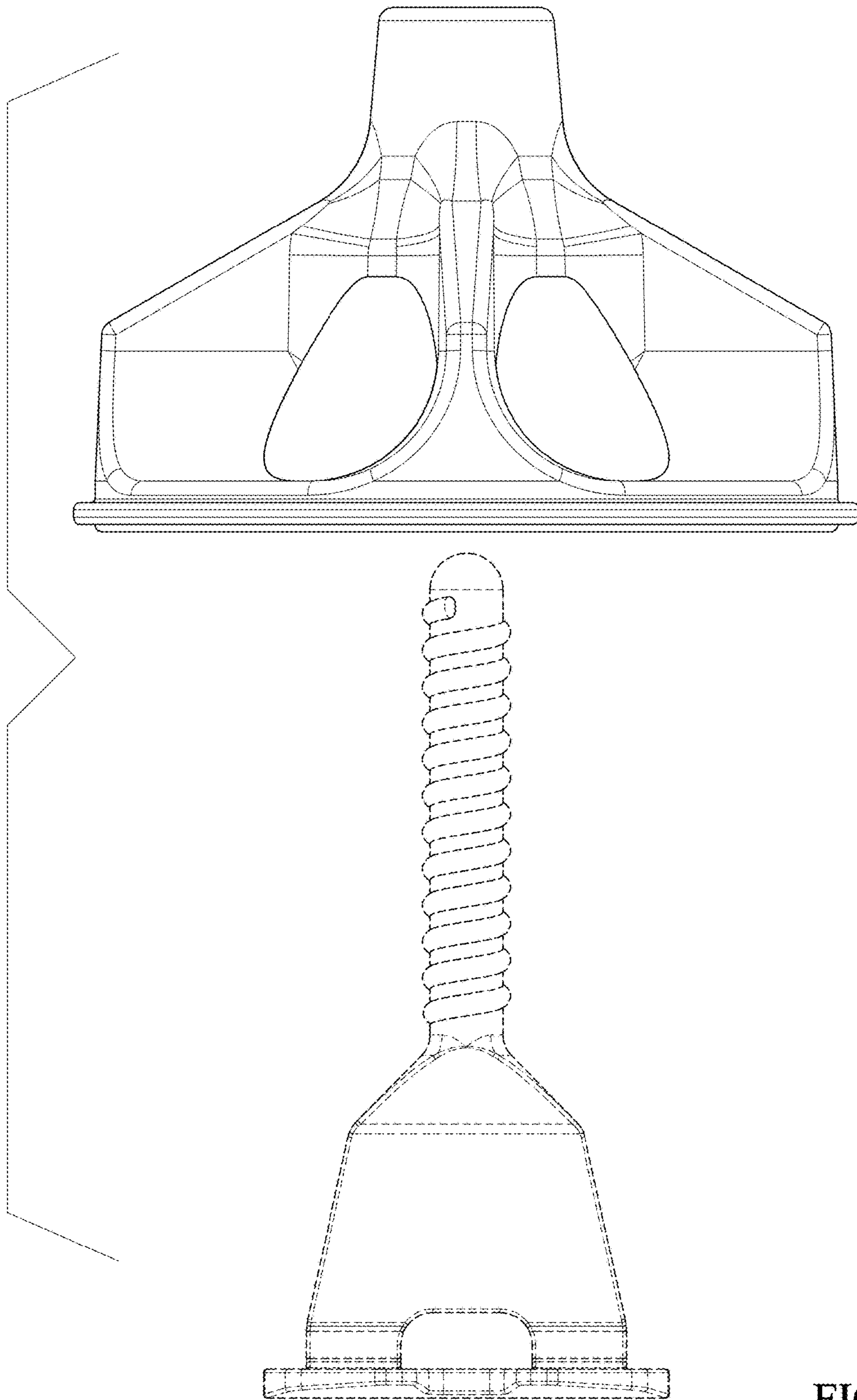


FIG.9