



US00D866296S

(12) **United States Design Patent**
Ohse

(10) **Patent No.:** **US D866,296 S**

(45) **Date of Patent:** **** Nov. 12, 2019**

(54) **WORKING TABLE FOR A CAN
MANUFACTURING APPARATUS**

(71) Applicant: **Universal Can Corporation**, Tokyo
(JP)

(72) Inventor: **Tetsuya Ohse**, Yuki (JP)

(73) Assignee: **UNIVERSAL CAN CORPORATION**,
Tokyo (JP)

(**) Term: **15 Years**

(21) Appl. No.: **29/596,443**

(22) Filed: **Mar. 8, 2017**

(30) **Foreign Application Priority Data**

Dec. 22, 2016 (JP) 2016-027965

(51) **LOC (12) Cl.** **08-05**

(52) **U.S. Cl.**
USPC **D8/354**

(58) **Field of Classification Search**

USPC D12/123, 124, 126, 501, 507; D15/122,
D15/138, 143, 148, 149; D8/354, 356

CPC ... F16H 7/06; F16H 7/12; F16H 55/08; F16H
55/30; E02F 5/06; E02F 5/14

See application file for complete search history.

(56) **References Cited**

U.S. PATENT DOCUMENTS

D358,545 S * 5/1995 Price D8/356
D382,463 S * 8/1997 Cloud D8/354

D473,902 S * 4/2003 Panno D21/561
D641,611 S * 7/2011 Minayoshi D8/354
D647,118 S * 10/2011 Parker D15/148
D776,896 S * 1/2017 Paitchell D34/10
D817,372 S * 5/2018 Karol D15/148
D824,971 S * 8/2018 Karol D15/148
D825,631 S * 8/2018 Karol D15/148
D847,887 S * 5/2019 Karol D15/148

* cited by examiner

Primary Examiner — Janice Hallmark

Assistant Examiner — Harold E Blackwell, II

(74) *Attorney, Agent, or Firm* — Sughrue Mion, PLLC

(57) **CLAIM**

The ornamental design for a working table for a can manu-
facturing apparatus, as shown and described.

DESCRIPTION

FIG. 1 is a perspective view from the front side of a working
table for a can manufacturing apparatus.

FIG. 2 is a perspective view from the rear side thereof.

FIG. 3 is a front elevation view thereof.

FIG. 4 is a rear elevation view thereof.

FIG. 5 is a left side elevation view thereof.

FIG. 6 is a right side elevation view thereof.

FIG. 7 is a top plan view thereof.

FIG. 8 is a bottom plan view thereof.

FIG. 9 is a cross-sectional view taken along the line 9-9 in
FIG. 3; and,

FIG. 10 is a cross-sectional view taken along the line 10-10
in FIG. 7.

1 Claim, 10 Drawing Sheets

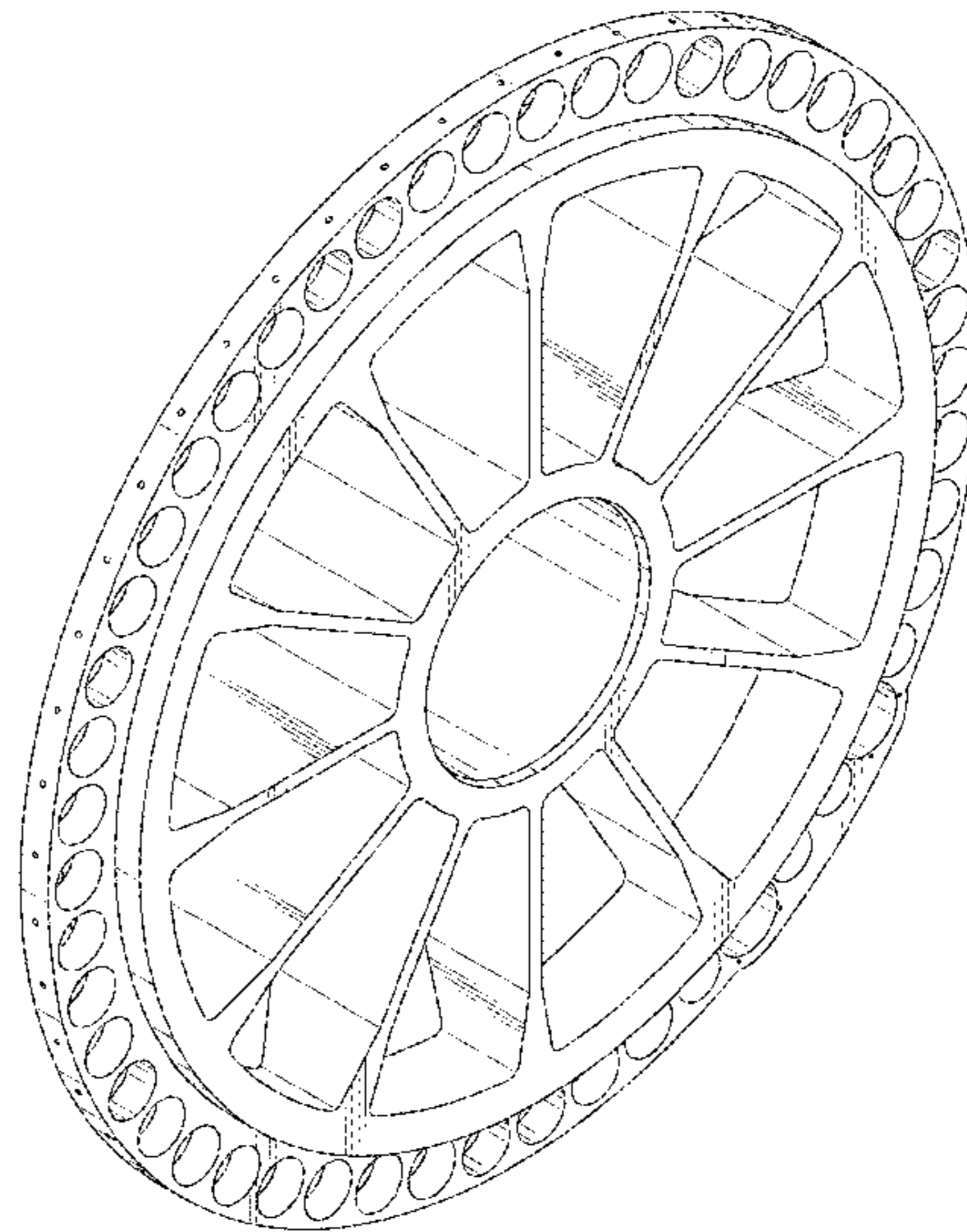
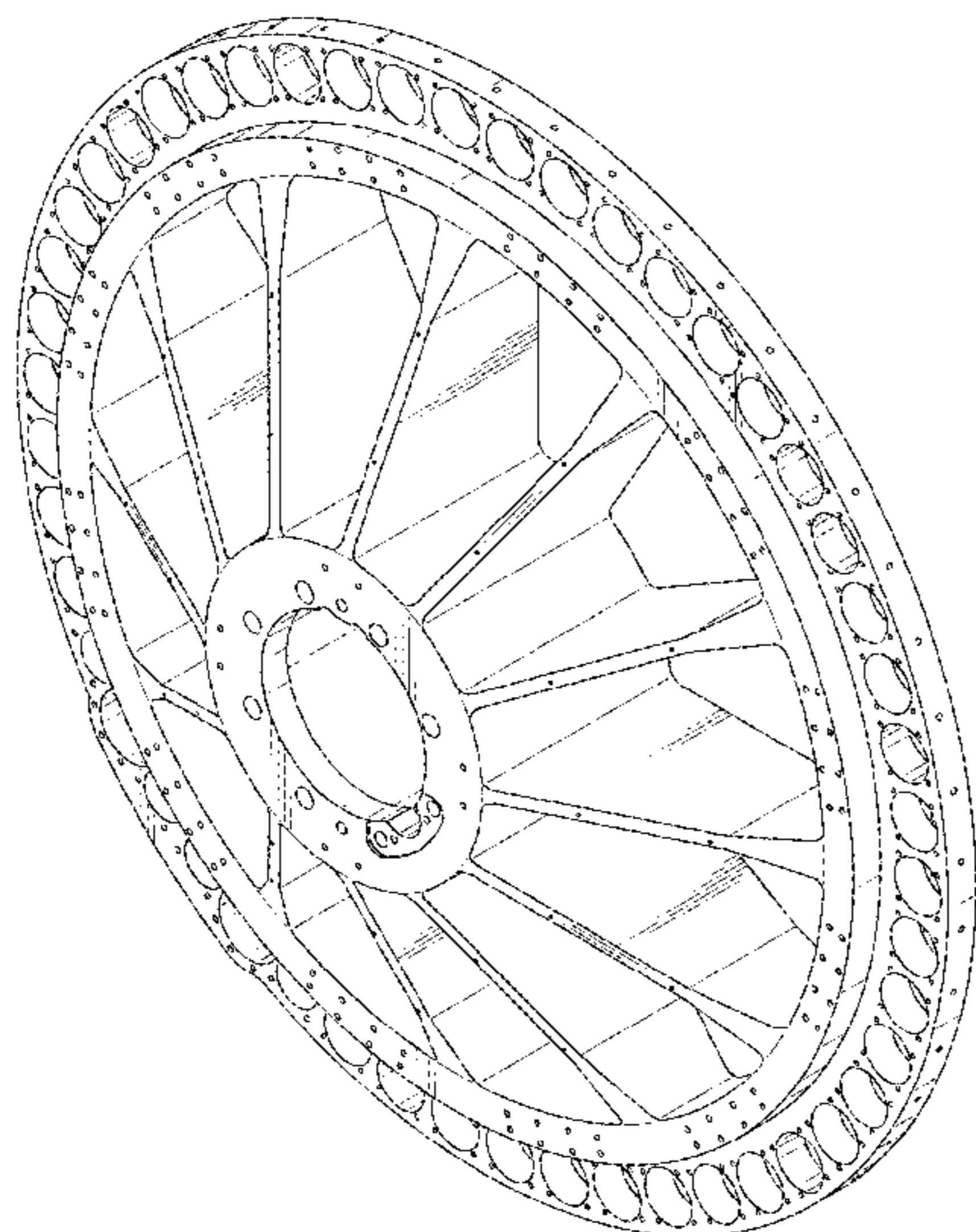


FIG. 1

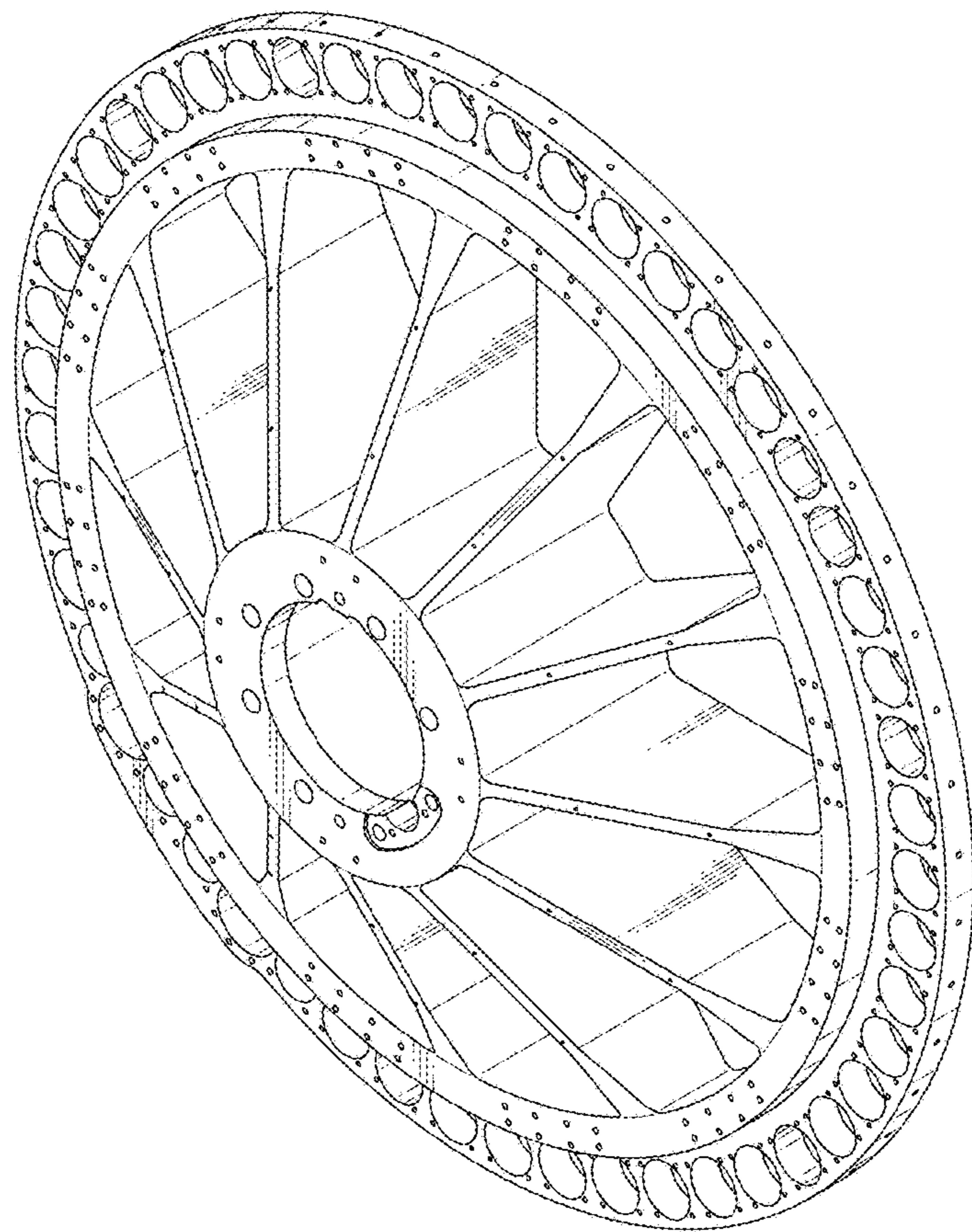


FIG. 2

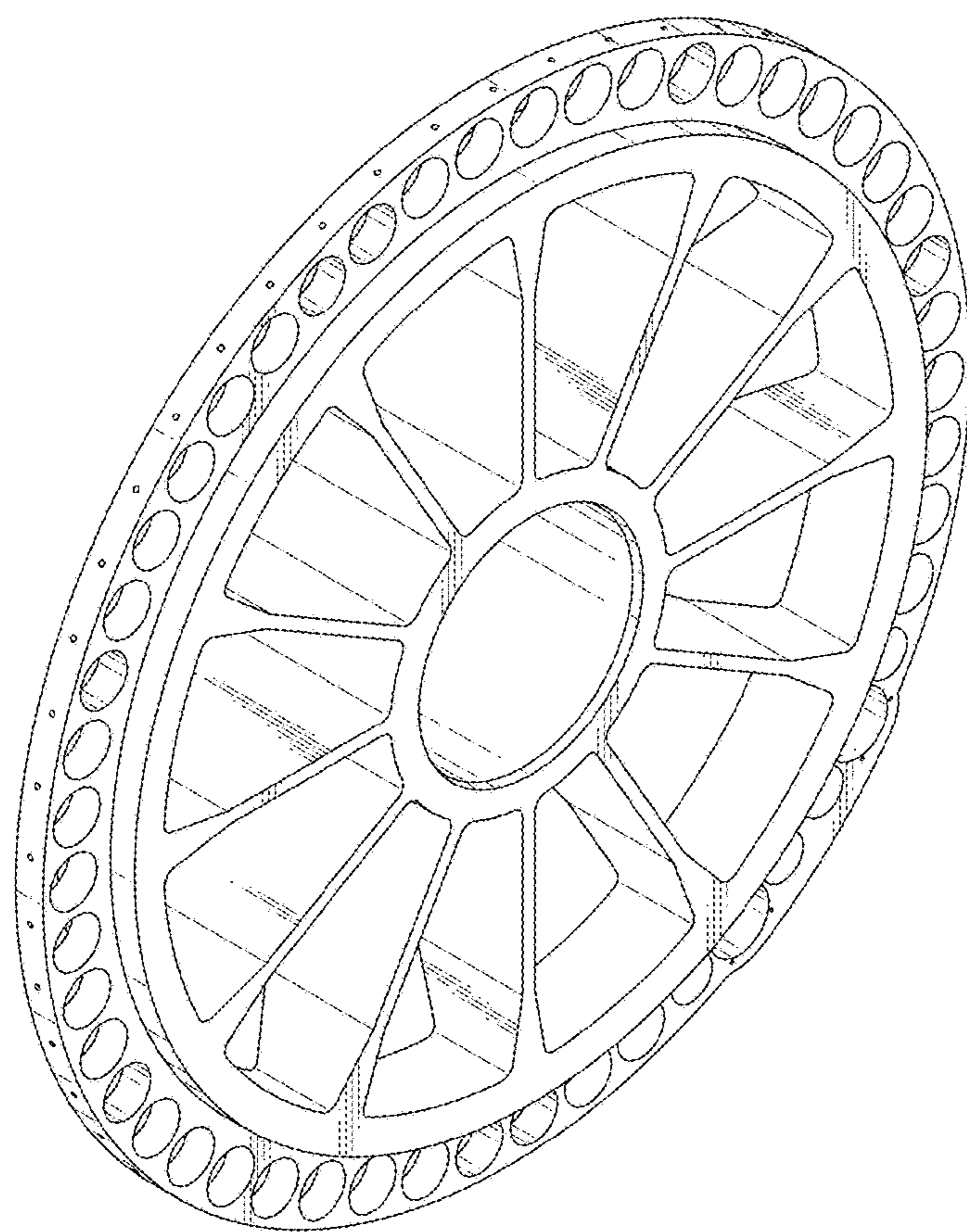


FIG. 3

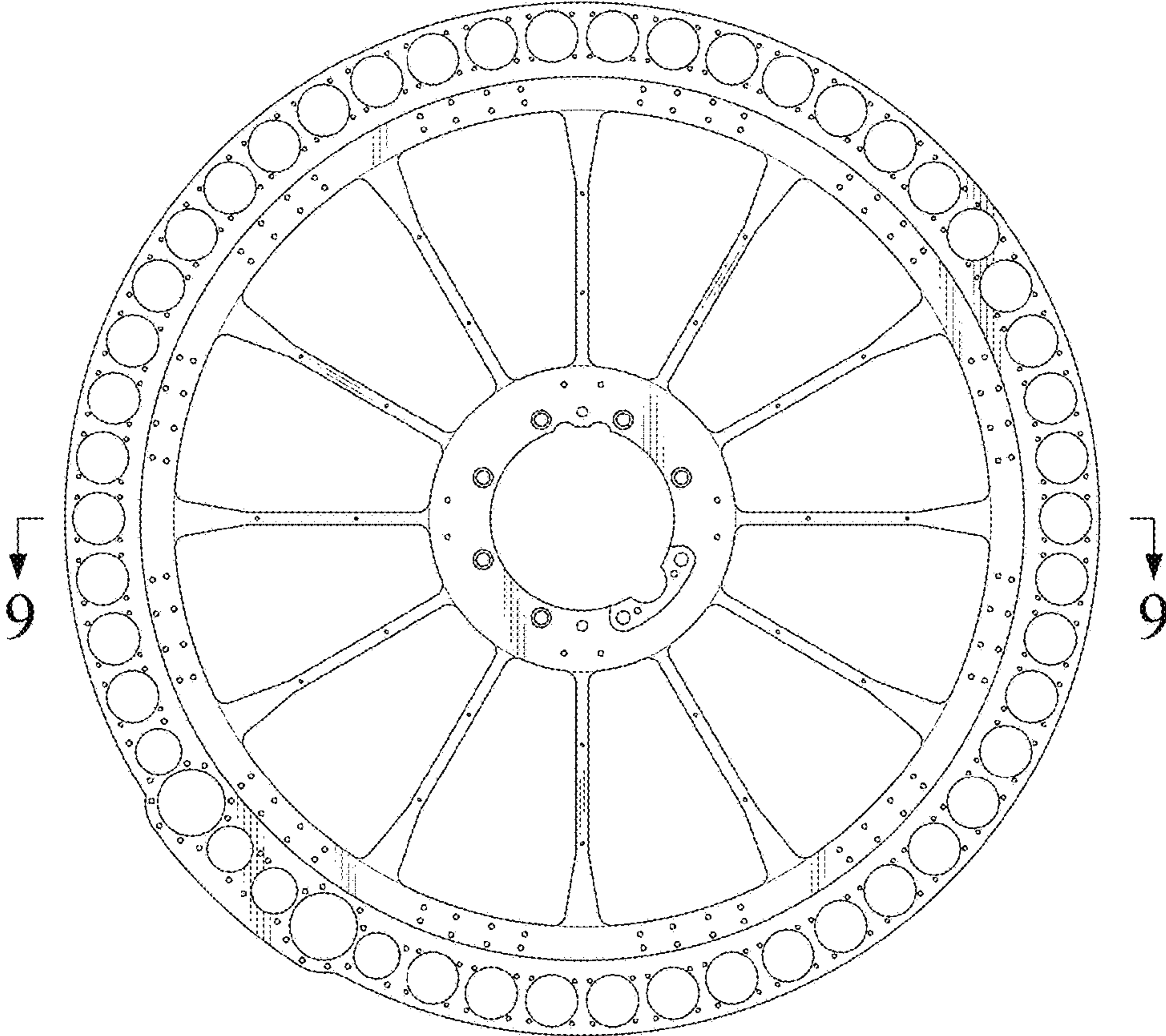


FIG. 4

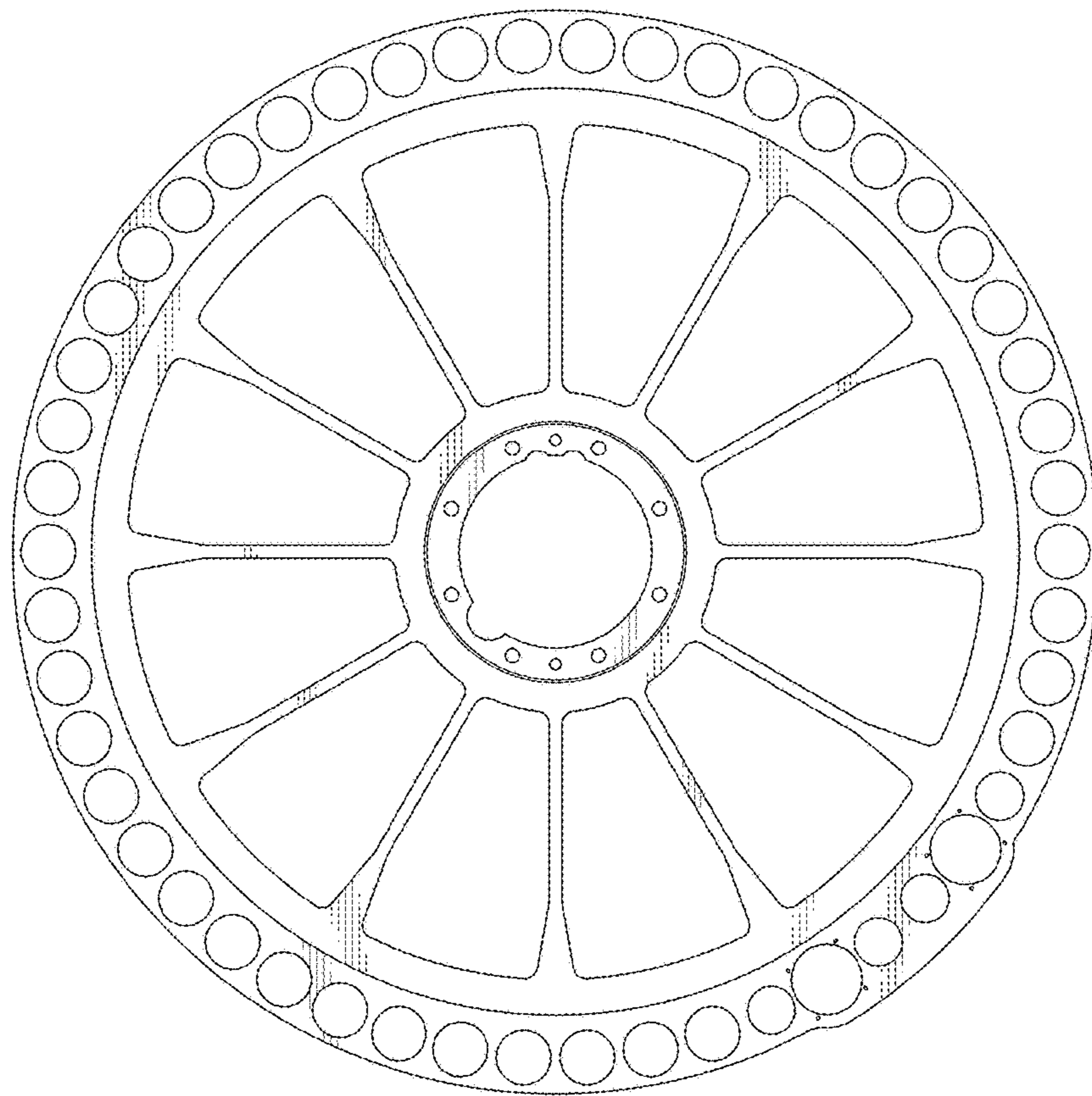


FIG. 5

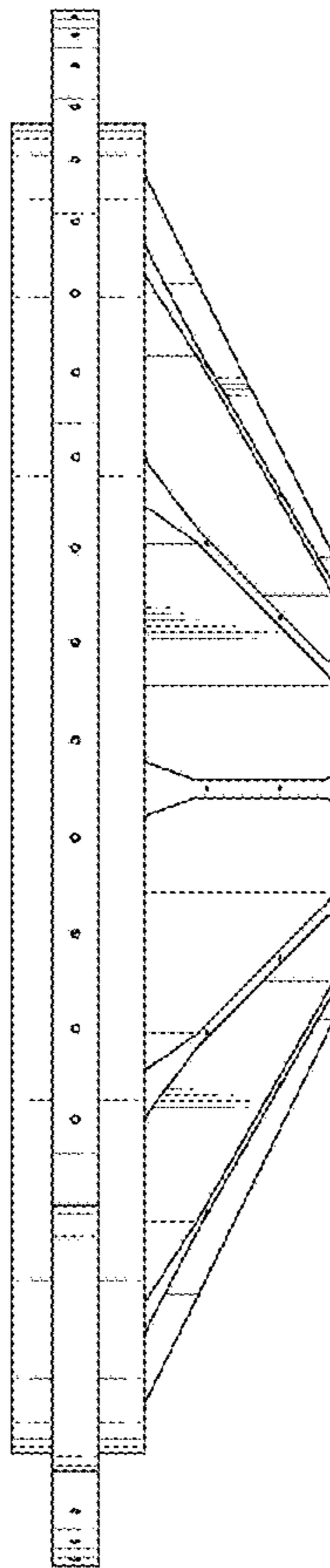


FIG. 6

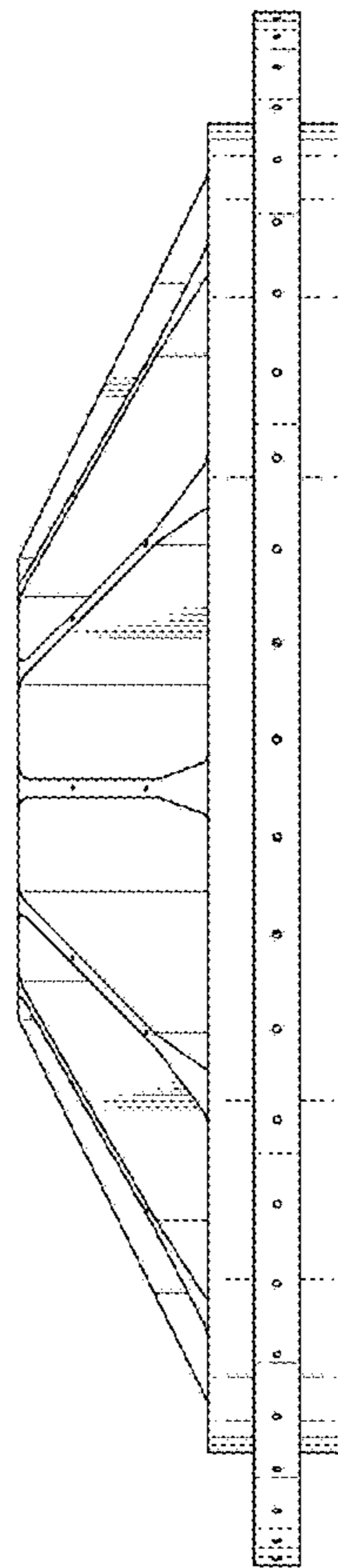


FIG. 7

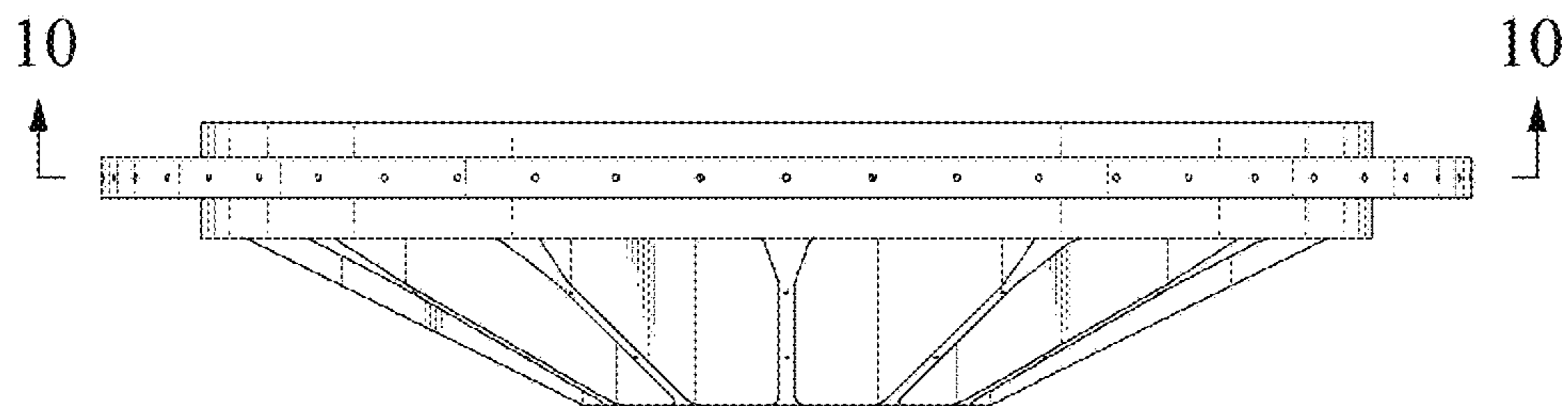


FIG. 8

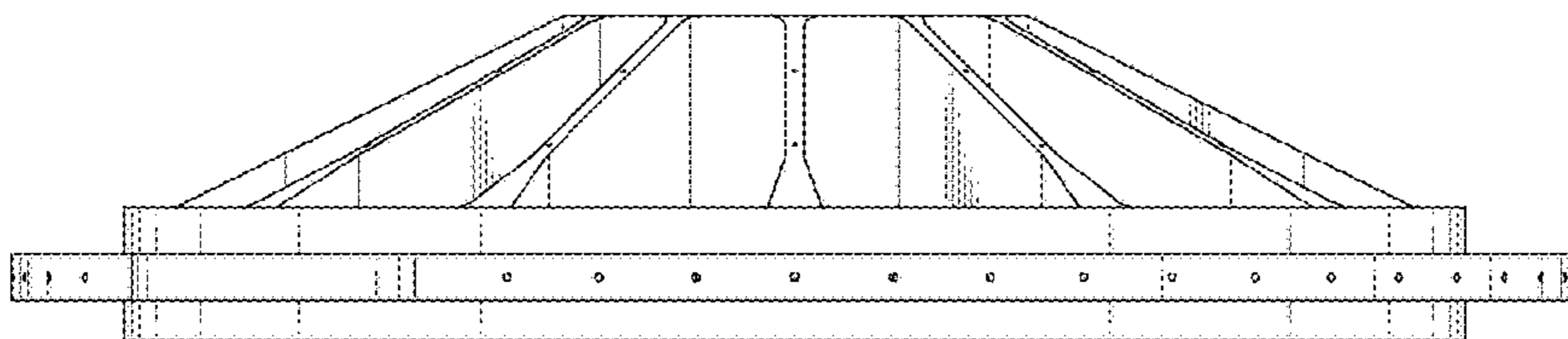


FIG. 9

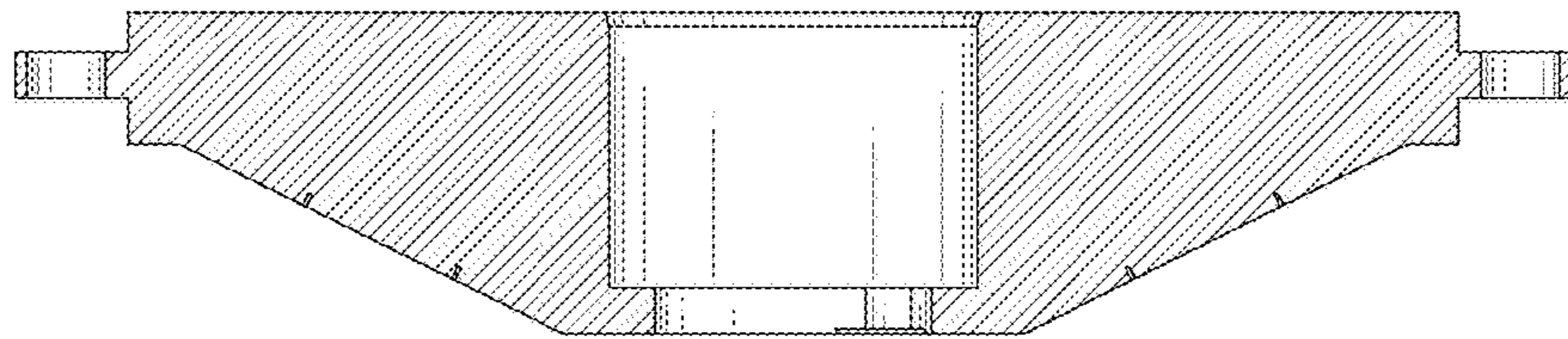


FIG. 10

