



US00D866295S

(12) **United States Design Patent**
Lee et al.

(10) **Patent No.:** **US D866,295 S**
(45) **Date of Patent:** **** Nov. 12, 2019**

(54) **TELEVISION RECEIVER**

(71) Applicant: **Samsung Electronics Co., Ltd.**,
Suwon-si (KR)

(72) Inventors: **Seungho Lee**, Guri-si (KR); **Jaewook Yoo**, Seoul (KR); **Jaeneung Lee**, Ansan-si (KR)

(73) Assignee: **SAMSUNG ELECTRONICS CO., LTD.**, Gyeonggi-Do (KR)

(**) Term: **15 Years**

(21) Appl. No.: **29/595,315**

(22) Filed: **Feb. 27, 2017**

(30) **Foreign Application Priority Data**

Sep. 1, 2016 (KR) 30-2016-0043057

(51) **LOC (12) Cl.** **08-05**

(52) **U.S. Cl.**
USPC **D8/354**; D14/239

(58) **Field of Classification Search**
USPC D8/349–356, 358, 359, 363, 365, 366,
D8/371, 373, 374, 375, 380, 381, 382,
D8/387, 391, 393, 394, 396, 370, 367;
D14/239, 126, 451

CPC .. F16B 7/0466; F16B 7/04; F16B 1/00; F16L
3/00; F16L 11/00; E04B 2001/405; B60B
33/0089; B60B 33/0097; F16M 13/02;
F16M 13/025; B65H 54/00; B65H 75/00
See application file for complete search history.

(56) **References Cited**

U.S. PATENT DOCUMENTS

D312,962 S * 12/1990 Overton D8/381
D367,221 S * 2/1996 Burgasser D8/380
D541,138 S * 4/2007 Whalen D8/354

D625,278 S * 10/2010 Kim D14/126
D723,012 S * 2/2015 Ann D14/239
D743,953 S * 11/2015 Ann D14/239
D746,799 S * 1/2016 Kim D14/239
D747,299 S * 1/2016 Kim D14/239
D747,300 S * 1/2016 Kim D14/239
D748,080 S * 1/2016 Jung D14/239
D755,164 S * 5/2016 Lee D14/239
D755,189 S * 5/2016 Kim D14/451
D755,190 S * 5/2016 Kim D14/451
D758,373 S * 6/2016 Kim D14/451
D759,024 S * 6/2016 Woo D14/451
D778,277 S * 2/2017 Haller D14/336
D795,230 S * 8/2017 Lee D14/239
D798,254 S * 9/2017 Kim D14/126
D799,459 S * 10/2017 Lee D14/239
D800,101 S * 10/2017 Park D14/239
D800,296 S * 10/2017 Wang D23/411
D817,938 S * 5/2018 Cho D14/239
D817,939 S * 5/2018 Cho D14/239

(Continued)

Primary Examiner — Rosemary K Tarcza

Assistant Examiner — Christy M Nemeth

(74) *Attorney, Agent, or Firm* — Cantor Colburn LLP

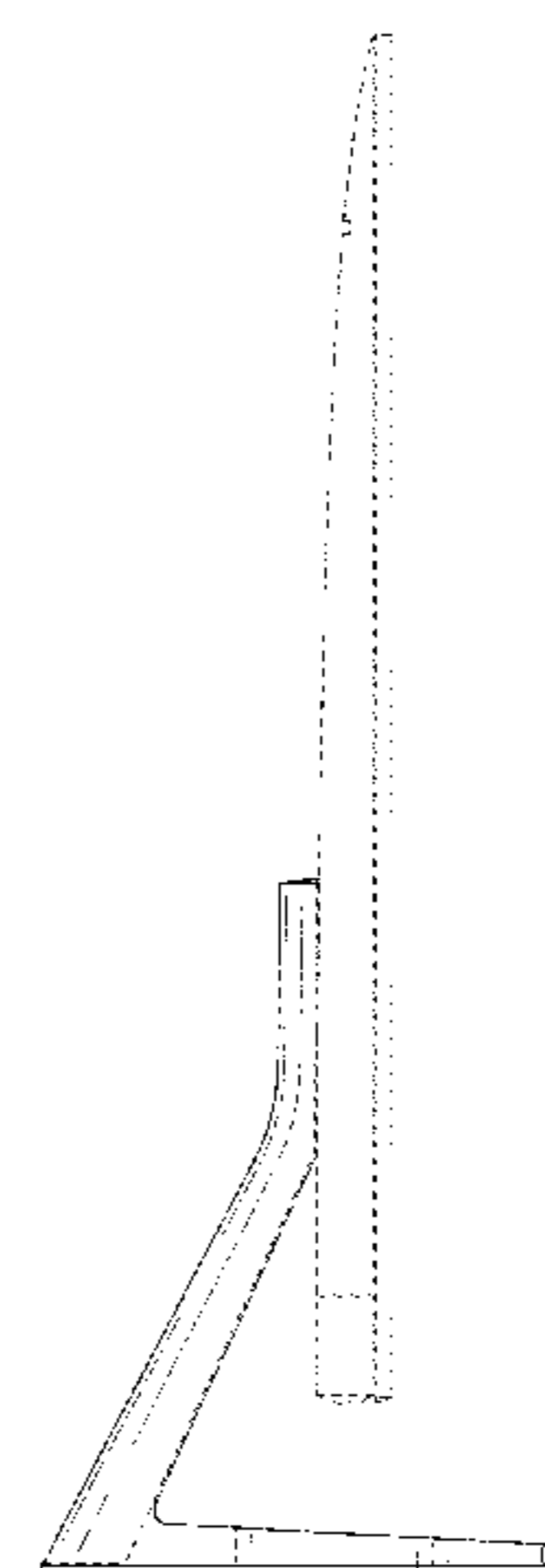
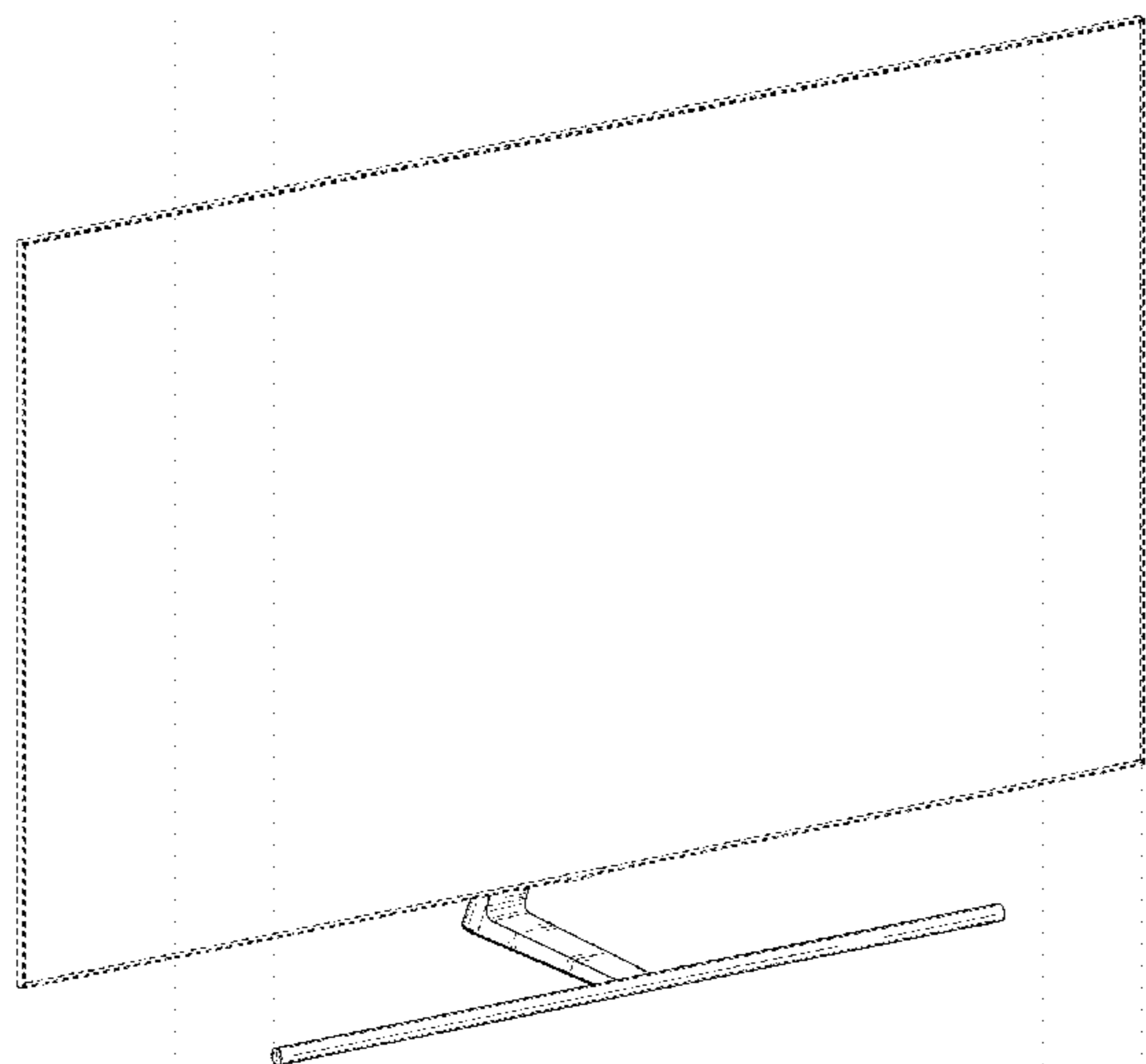
(57) **CLAIM**

The ornamental design for a television receiver, as shown and described.

DESCRIPTION

FIG. 1 is a front perspective view of a television receiver showing our new design;
FIG. 2 is a front view thereof;
FIG. 3 is a rear view thereof;
FIG. 4 is a left side view thereof;
FIG. 5 is a right side view thereof;
FIG. 6 is a top view thereof;
FIG. 7 is a bottom view thereof; and,
FIG. 8 is a rear perspective view thereof.
The broken lines illustrating portions of the television receiver form no part of the claimed design.

1 Claim, 8 Drawing Sheets



(56)

References Cited

U.S. PATENT DOCUMENTS

D818,450	S	*	5/2018	Lee	D14/126
D819,583	S	*	6/2018	Lee	D14/126
D819,614	S	*	6/2018	Lee	D14/239
D822,012	S	*	7/2018	Lee	D14/239
D823,843	S	*	7/2018	Kim	D14/239
D824,890	S	*	8/2018	Kim	D14/239
D824,891	S	*	8/2018	Kim	D14/239
D826,884	S	*	8/2018	Kim	D14/126
D826,913	S	*	8/2018	Cha	D14/239
D828,313	S	*	9/2018	Lee	D14/126
D828,362	S	*	9/2018	Jung	D14/451
D836,584	S	*	12/2018	Kim	D14/126
D847,802	S	*	5/2019	Kim	D14/239
D849,728	S	*	5/2019	Kim	D14/239
D849,729	S	*	5/2019	Kim	D14/239

* cited by examiner

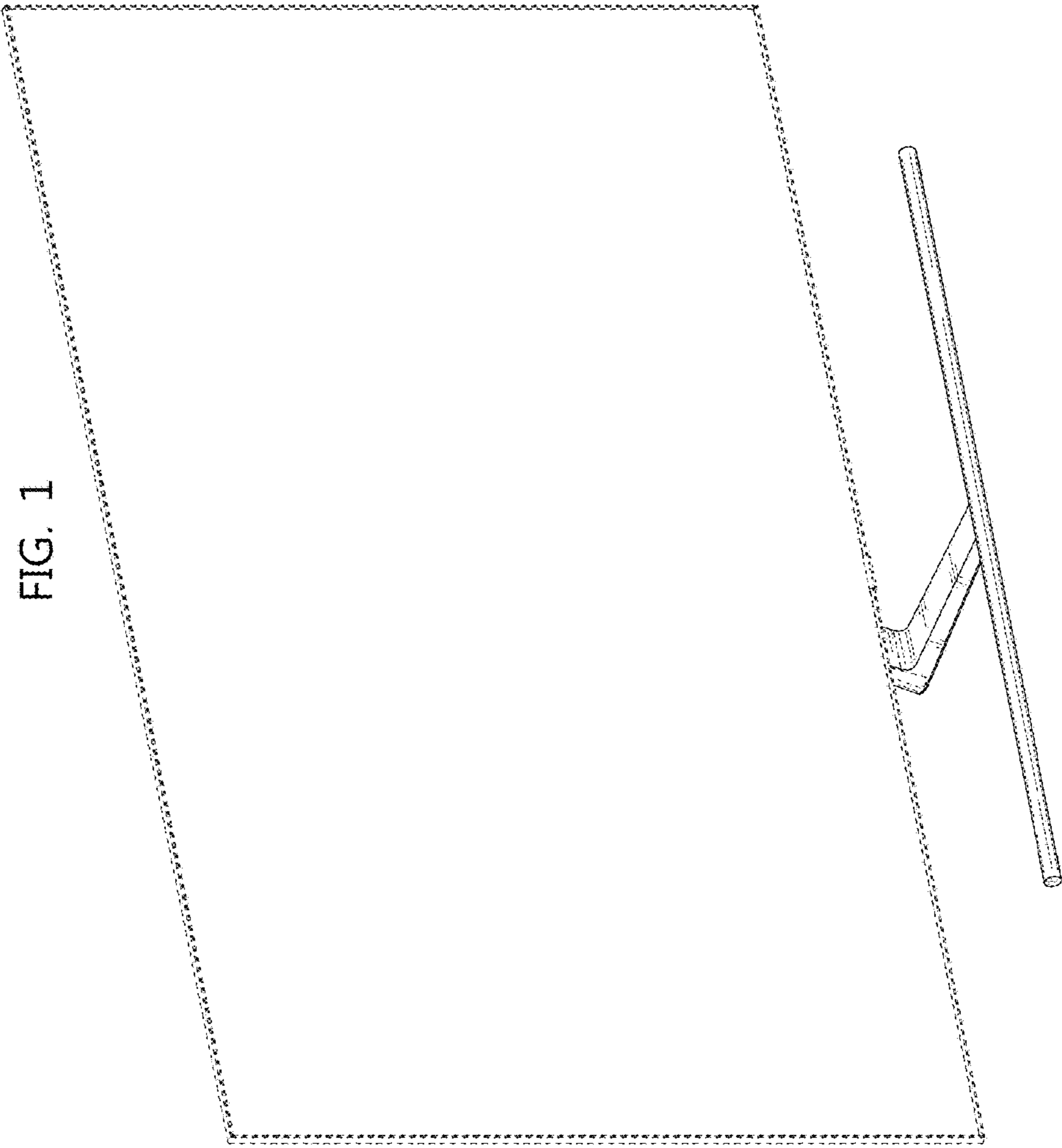


FIG. 1

FIG. 2

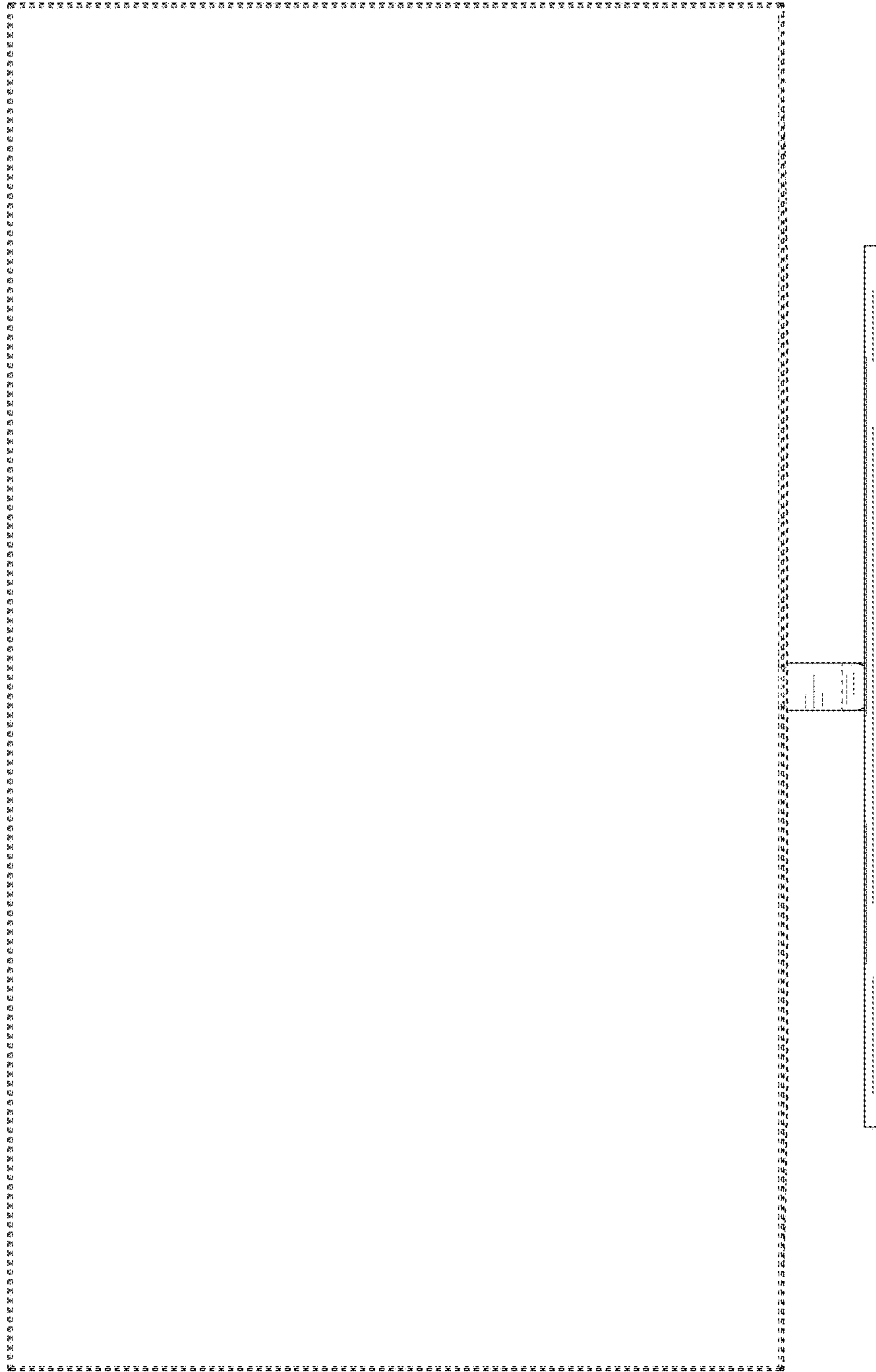


FIG. 3

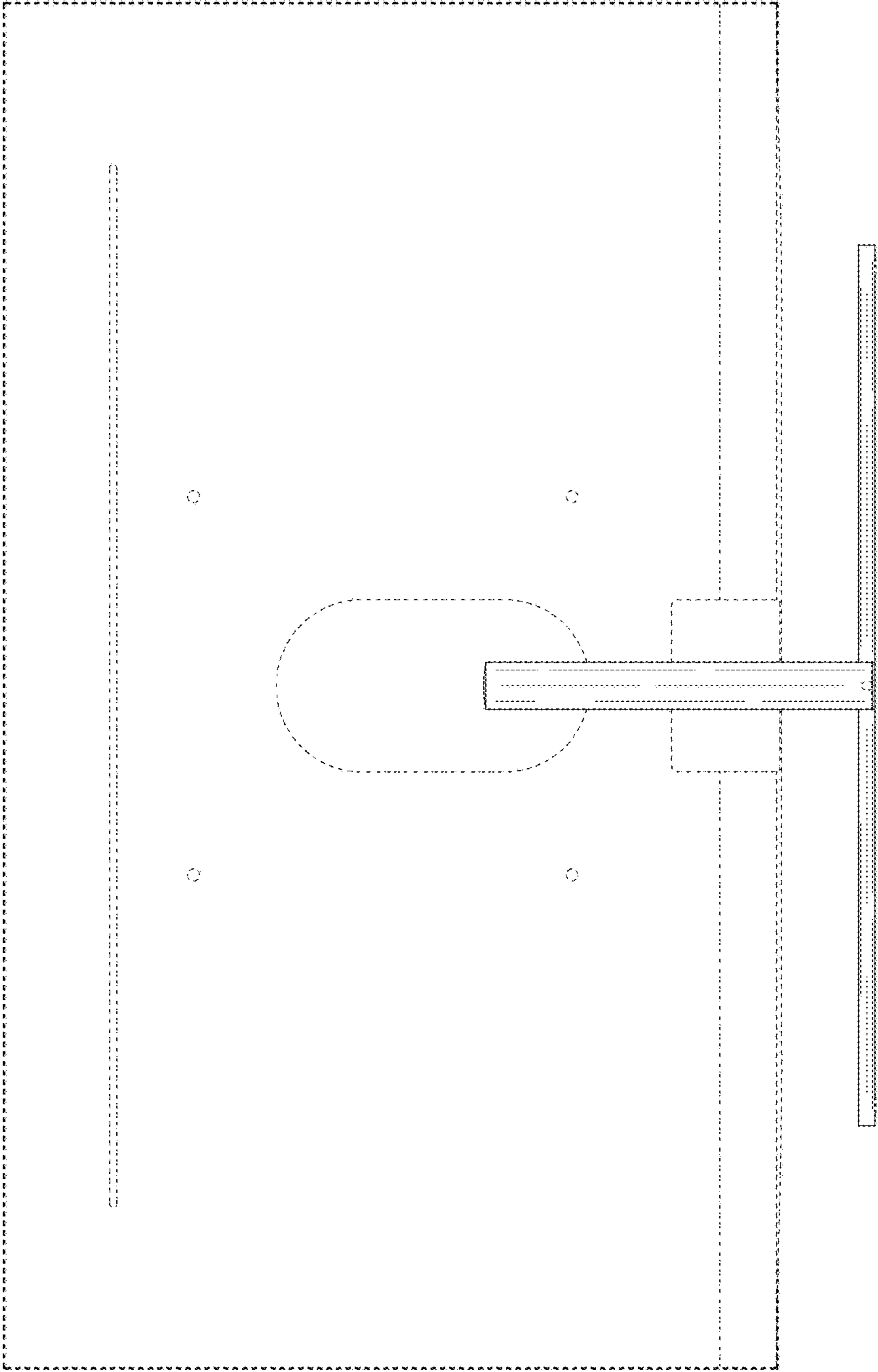
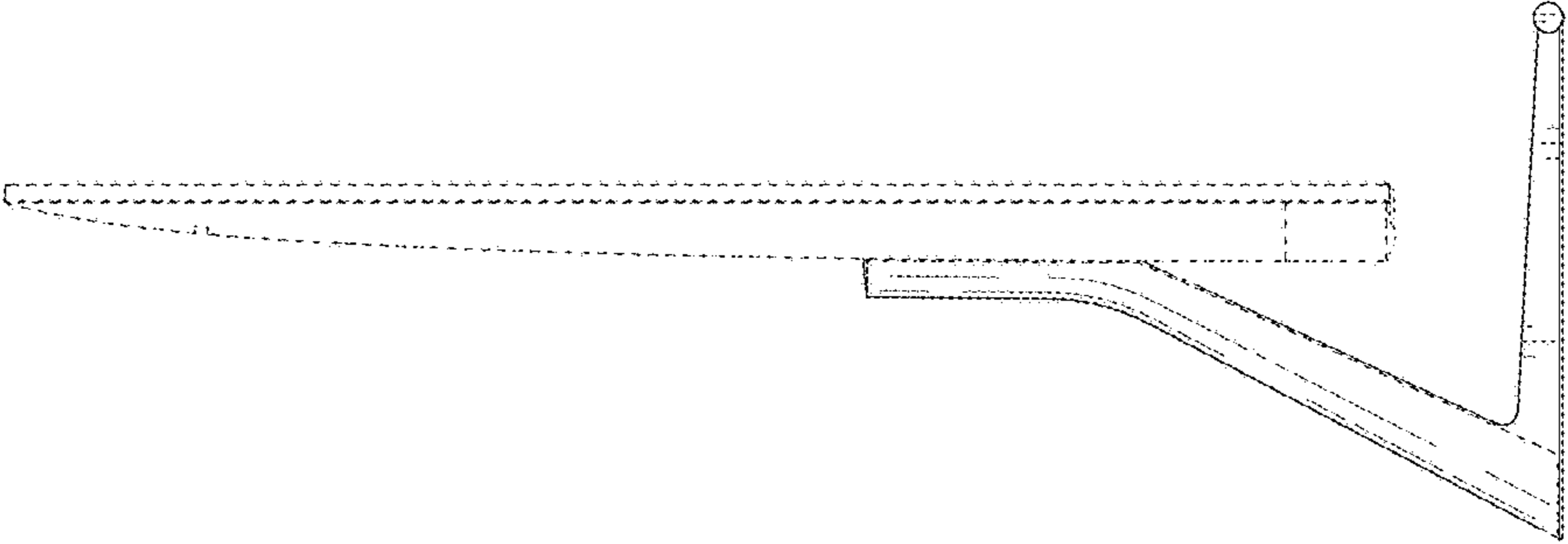


FIG. 4



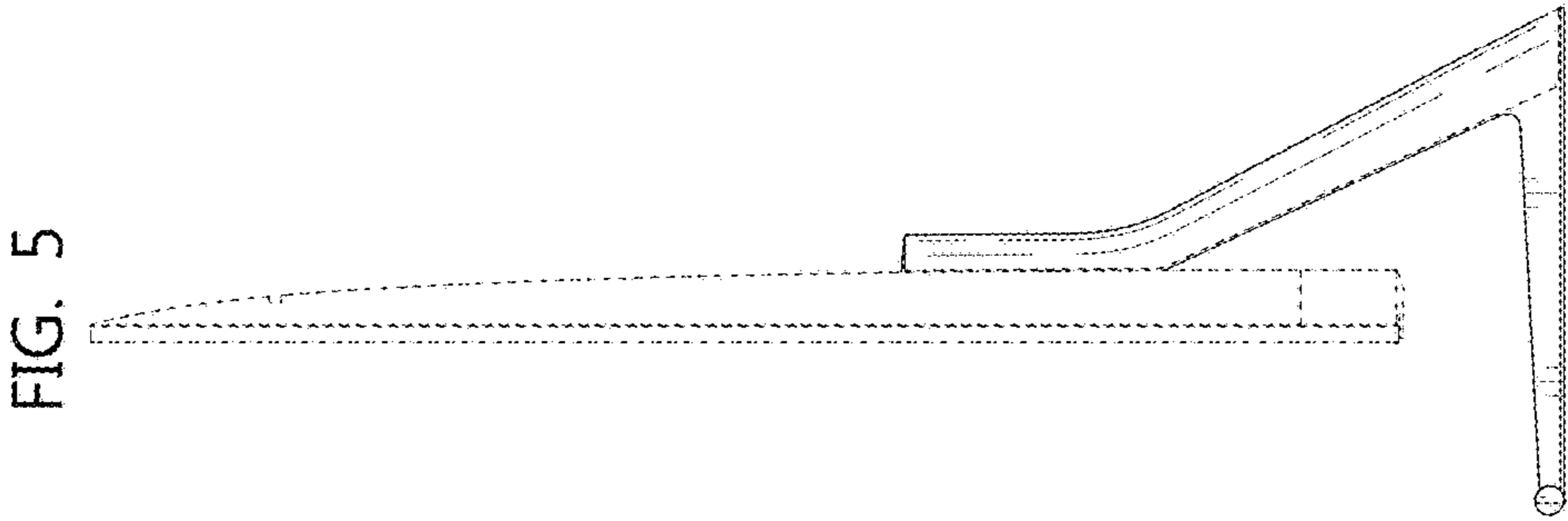


FIG. 6

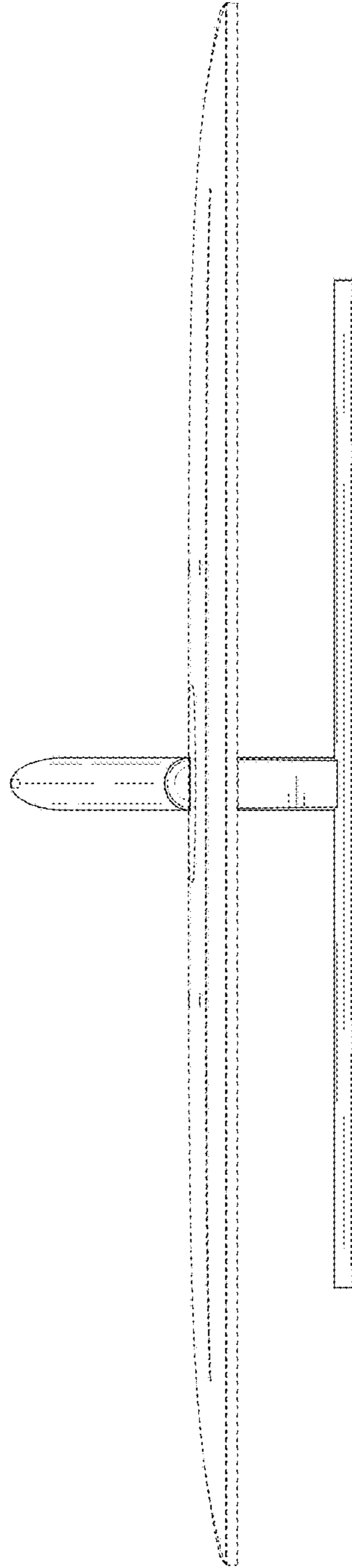


FIG. 7

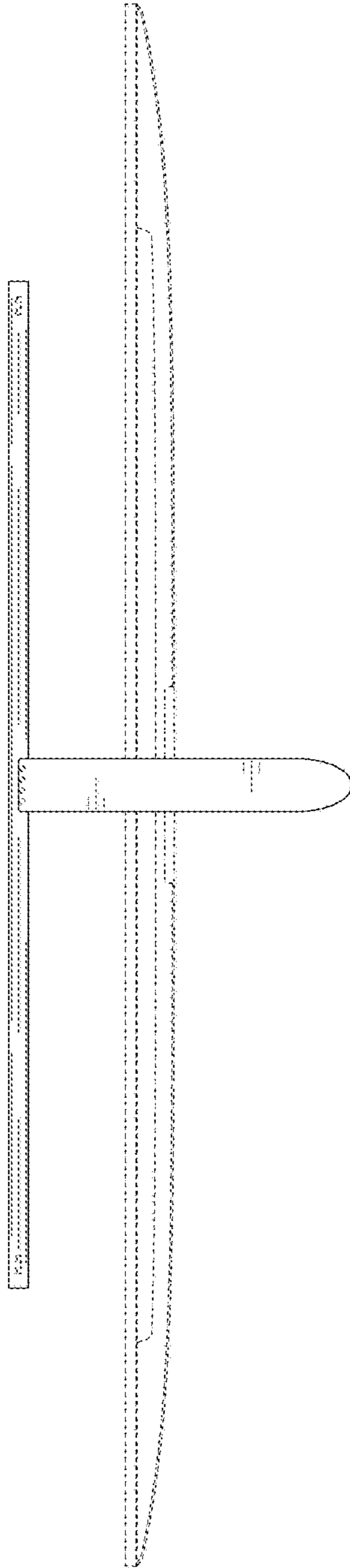


FIG. 8

