



US00D866294S

(12) **United States Design Patent** (10) **Patent No.:** **US D866,294 S**
Fechner et al. (45) **Date of Patent:** **** *Nov. 12, 2019**

- (54) **DOMED ESCUTCHEON**
- (71) Applicant: **Reliance Worldwide Corporation,**
Atlanta, GA (US)
- (72) Inventors: **Linda Fechner,** Madison, AL (US);
Virgil O'Neil, San Diego, CA (US)
- (73) Assignee: **Reliance Worldwide Corporation,**
Atlanta, GA (US)
- (*) Notice: This patent is subject to a terminal disclaimer.
- (**) Term: **15 Years**
- (21) Appl. No.: **29/636,120**
- (22) Filed: **Feb. 6, 2018**
- (51) **LOC (12) Cl.** **11-05**
- (52) **U.S. Cl.**
USPC **D8/352**
- (58) **Field of Classification Search**
USPC D8/330, 331, 334, 300, 301, 302,
D8/350-353
CPC E05B 47/00; E05B 1/00; E05B 13/103;
E05B 3/00; E05B 37/00; E05B 9/00;
E05B 9/02; E05B 49/00; G05B 15/00;
G05B 19/00; Y10T 70/8568; Y10T
70/8514; Y10T 70/8459; Y10T 70/8324
See application file for complete search history.

- (56) **References Cited**
U.S. PATENT DOCUMENTS
4,385,777 A 5/1983 Logsdon
D288,525 S * 3/1987 Angle D8/352
4,739,596 A 4/1988 Cunningham et al.
5,161,567 A 11/1992 Humpert
D403,750 S * 1/1999 Fabian D23/254
D411,732 S * 6/1999 Chamberlain D8/350
D571,639 S * 6/2008 Whitney, Jr. D8/352

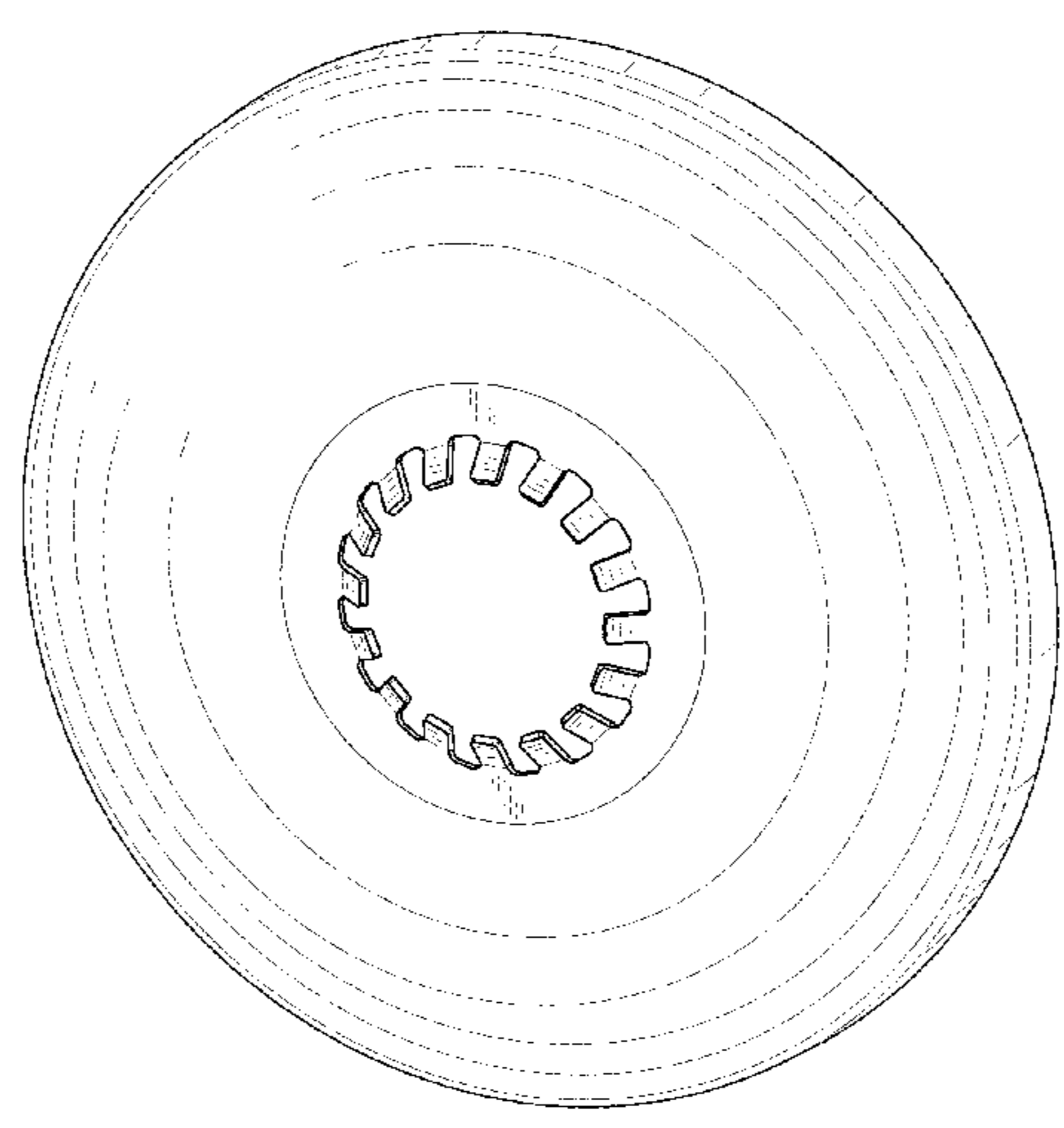
- D667,240 S * 9/2012 Weldon A47G 33/004
D6/661.3
- D678,752 S * 3/2013 Sedwick D23/249
- D679,171 S * 4/2013 Sedwick D23/249
- D698,011 S * 1/2014 Schoenherr 137/359
- D703,026 S * 4/2014 Wu D8/350
- D736,061 S * 8/2015 Boeltl D6/524
- D737,119 S * 8/2015 Condon D8/352
- D755,038 S * 5/2016 Bolton D8/352
- D756,747 S * 5/2016 Wu D8/352
- 9,611,672 B2 * 4/2017 Murphy E05B 55/005
- D786,652 S * 5/2017 Lira-Nunez D8/321
- D816,676 S * 5/2018 Badarello D23/411
- D833,259 S * 11/2018 Tseng D8/352

* cited by examiner
Primary Examiner — Mark A Goodwin
Assistant Examiner — Benjamin M Weeks
(74) *Attorney, Agent, or Firm* — Foley & Lardner LLP

(57) **CLAIM**
We claim the ornamental design for a domed escutcheon, as shown and described.

DESCRIPTION
FIG. 1 is a perspective view of the claimed design;
FIG. 2 is a front view of the claimed design shown in FIG. 1;
FIG. 3 is a rear view of the claimed design shown in FIG. 1;
FIG. 4 is a side view of the claimed design shown in FIG. 1;
FIG. 5 is another side view of the claimed design shown in FIG. 1;
FIG. 6 is a top view of the claimed design shown in FIG. 1; and,
FIG. 7 is a bottom view of the claimed design shown in FIG. 1.
The ornamental design that is claimed is shown in the drawings as solid lines and surfaces having surface shading.

1 Claim, 5 Drawing Sheets



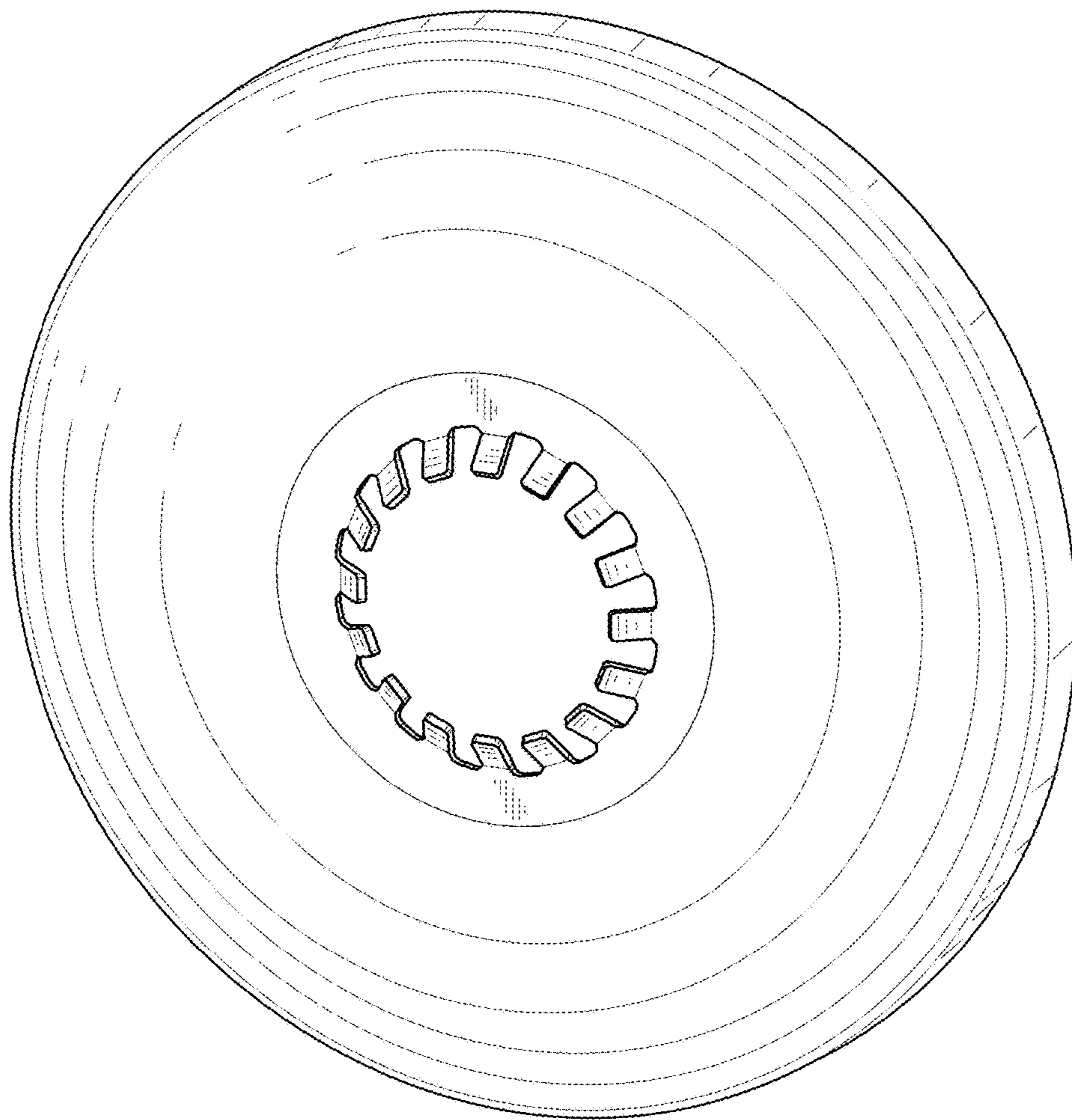


FIG. 1

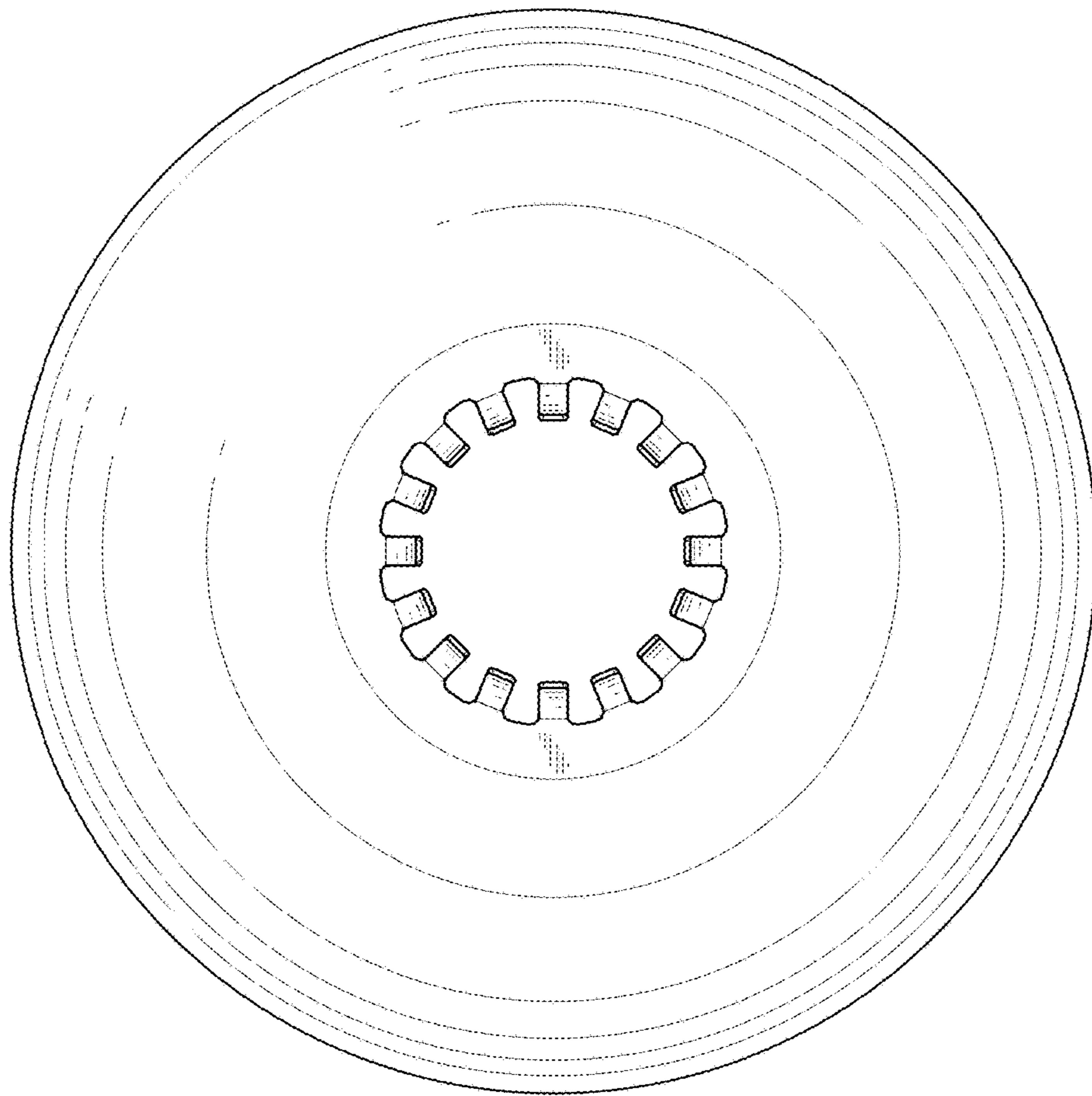


FIG. 2

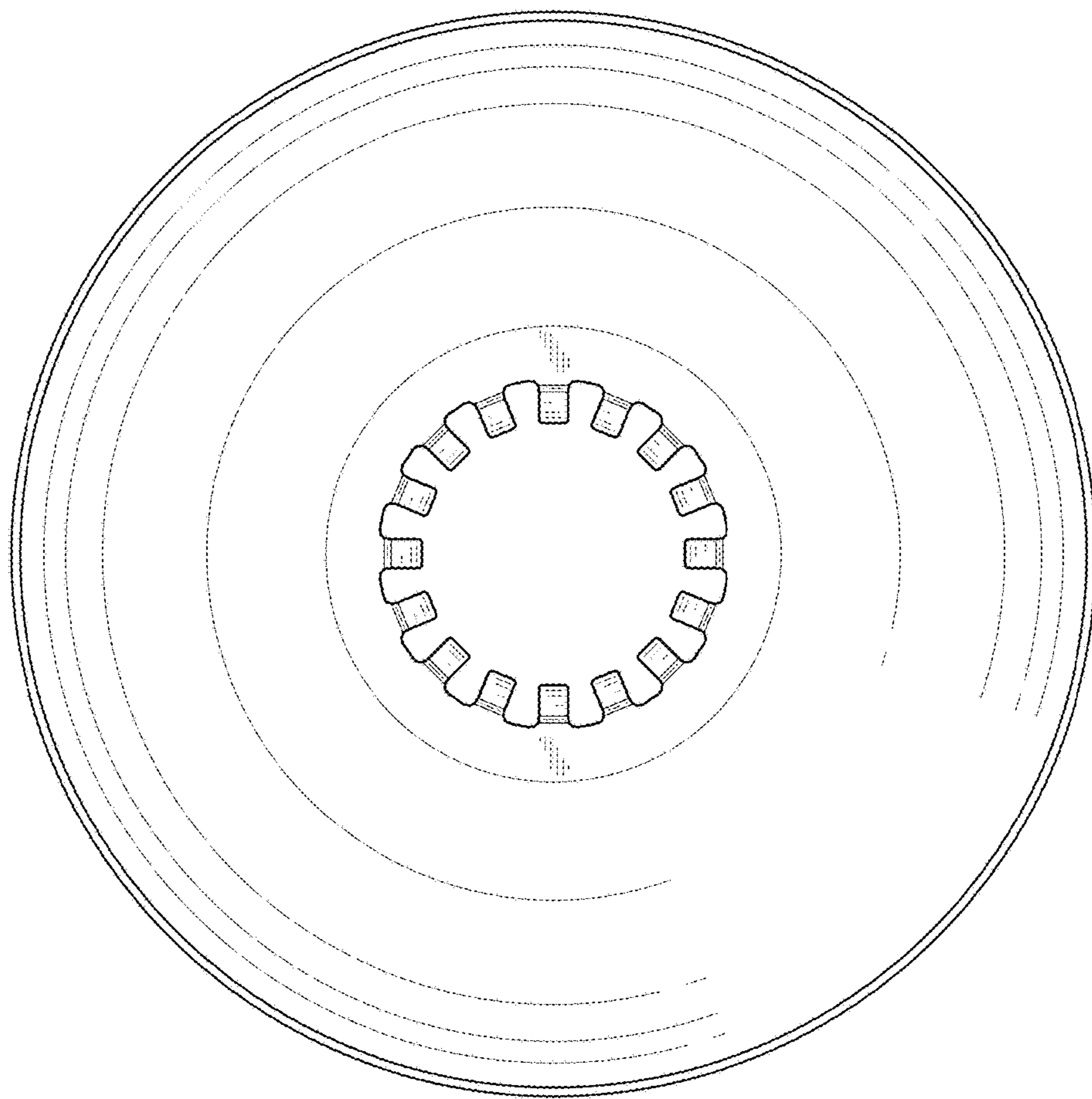


FIG. 3

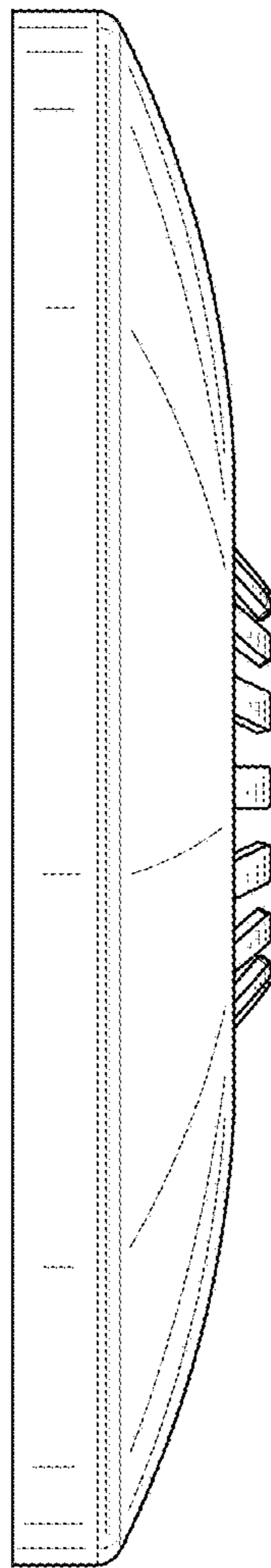


FIG. 4

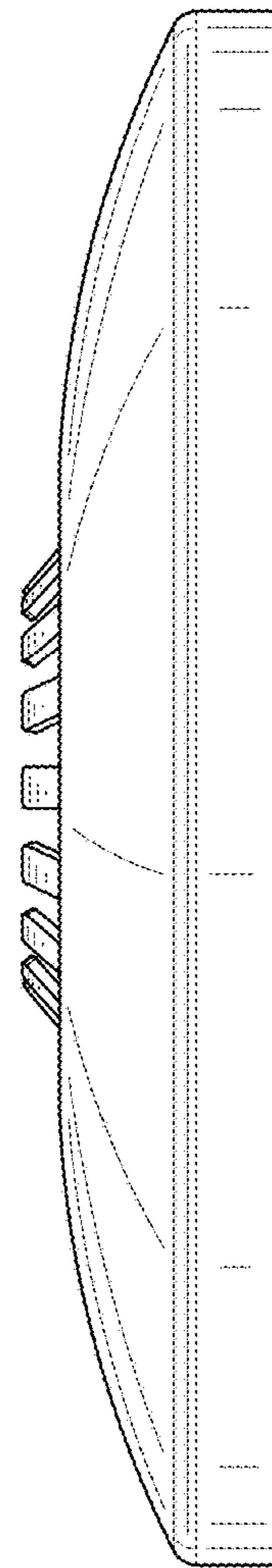


FIG. 5

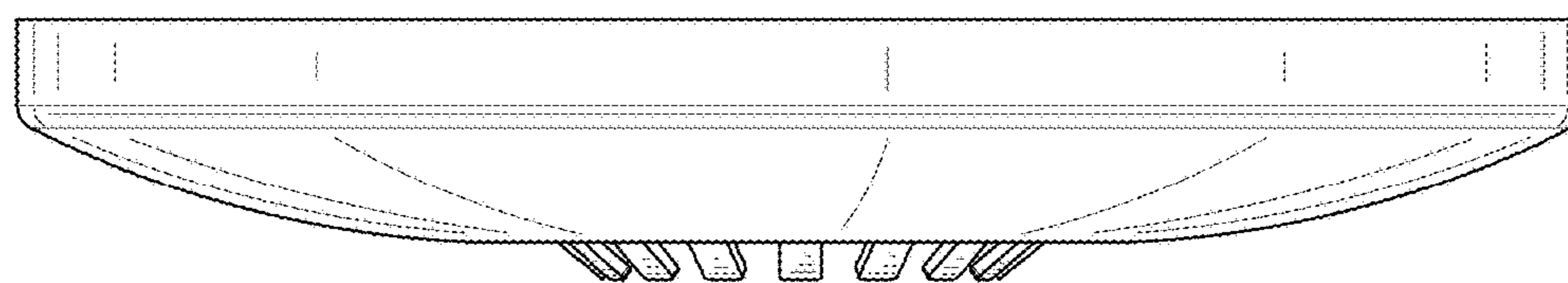


FIG. 6

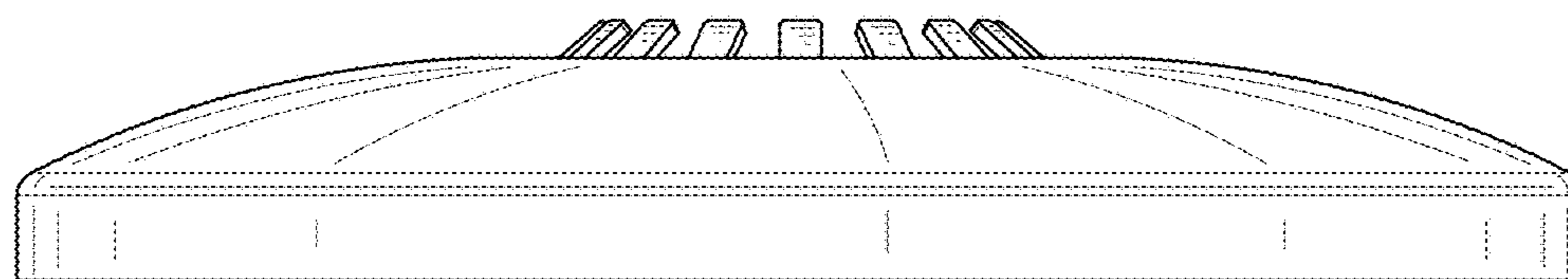


FIG. 7