

US00D866293S

(12) **United States Design Patent** (10) **Patent No.:** **US D866,293 S**
Gibb et al. (45) **Date of Patent:** **** Nov. 12, 2019**

(54) **MOUNT FOR A FUEL TANK FRAME ASSEMBLY**

(71) Applicant: **WORTHINGTON INDUSTRIES, INC.**, Columbus, OH (US)

(72) Inventors: **Gary Gibb**, Stow, OH (US); **Michael Pintz**, Fairview Park, OH (US); **Stephen Polatas**, North Canton, OH (US)

(73) Assignee: **WORTHINGTON INDUSTRIES, INC.**, Columbus, OH (US)

(**) Term: **15 Years**

(21) Appl. No.: **29/594,599**

(22) Filed: **Feb. 21, 2017**

Related U.S. Application Data

(63) Continuation of application No. 29/525,965, filed on May 5, 2015, now Pat. No. Des. 785,778, which is a continuation-in-part of application No. 29/473,255, filed on Nov. 20, 2013, now abandoned, and a continuation of application No. 14/085,369, filed on Nov. 20, 2013, now Pat. No. 9,086,187.

(51) **LOC (12) Cl.** **08-08**

(52) **U.S. Cl.**
USPC **D8/349**; D8/499

(58) **Field of Classification Search**
USPC D8/349, 354, 380, 382, 366; D12/218;
D23/385, 499; D15/69
CPC E04B 1/0038; E04B 1/1903; E04B 1/40;
B44C 5/02
See application file for complete search history.

(56) **References Cited**

U.S. PATENT DOCUMENTS

44,342 A 9/1864 Sawyer
D29,841 S 12/1898 Vrooman

4,471,757 A 9/1984 Rogers
D317,250 S * 6/1991 Shook D8/380
D428,804 S * 8/2000 Benz D8/382
6,240,909 B1 6/2001 Scott
6,257,360 B1 7/2001 Wozniak
6,648,130 B1 11/2003 Hasson
D574,697 S * 8/2008 Green D8/354
D663,611 S * 7/2012 Nunez Farfan D8/380
D691,023 S * 10/2013 Flintoff, Jr. D8/354
D694,167 S 11/2013 Forsberg
D695,202 S 12/2013 Forsberg

(Continued)

OTHER PUBLICATIONS

TX 525 Compact Utility Loader found at <https://www.toro.com/en-gb/parts/partdetails/?id=33211> pm Sep. 23, 2016.

(Continued)

Primary Examiner — Karen S Acker

Assistant Examiner — Steven B Reinholdt, Jr.

(74) *Attorney, Agent, or Firm* — Tucker Ellis LLP; Carlos Garritano

(57) **CLAIM**

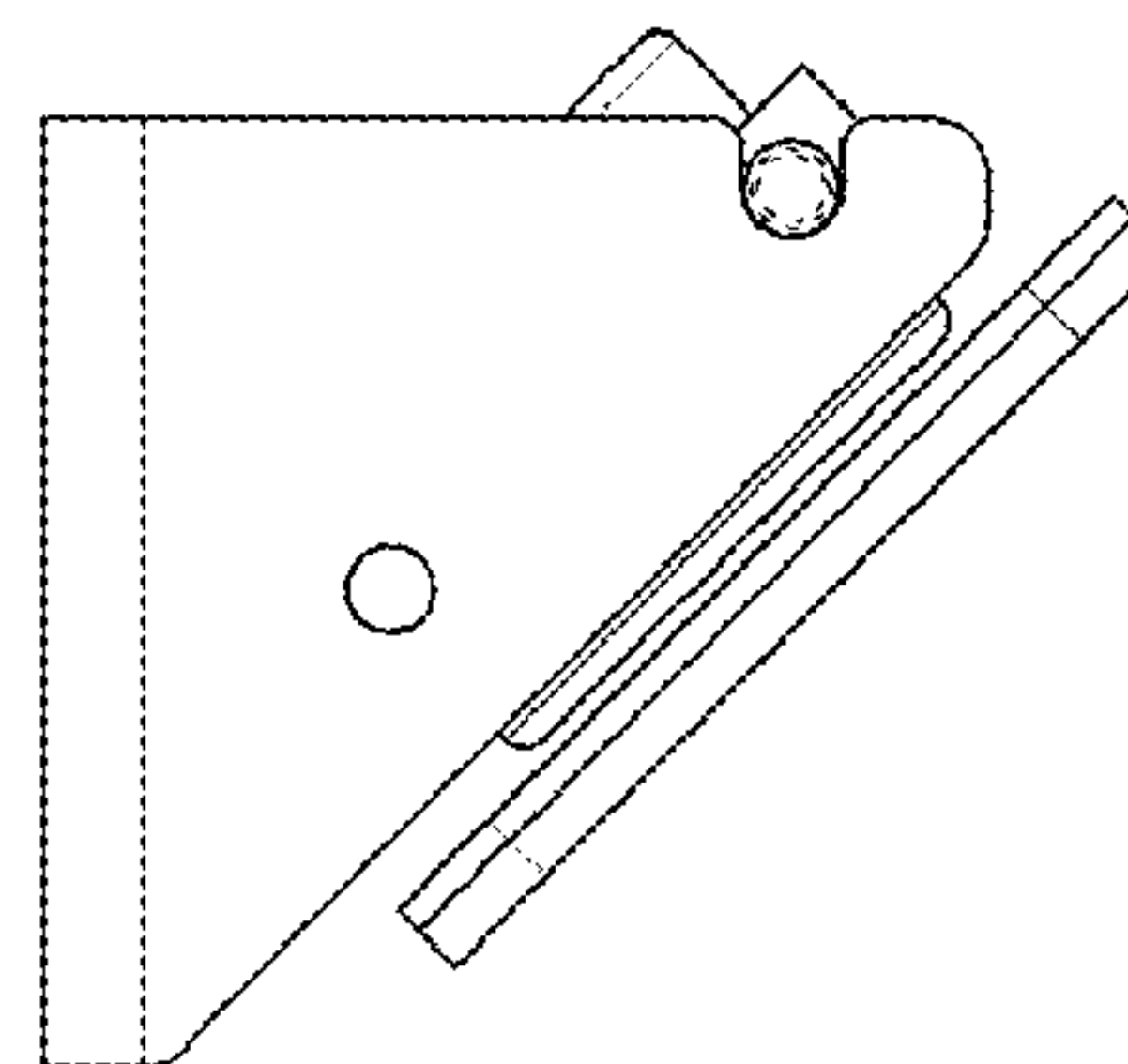
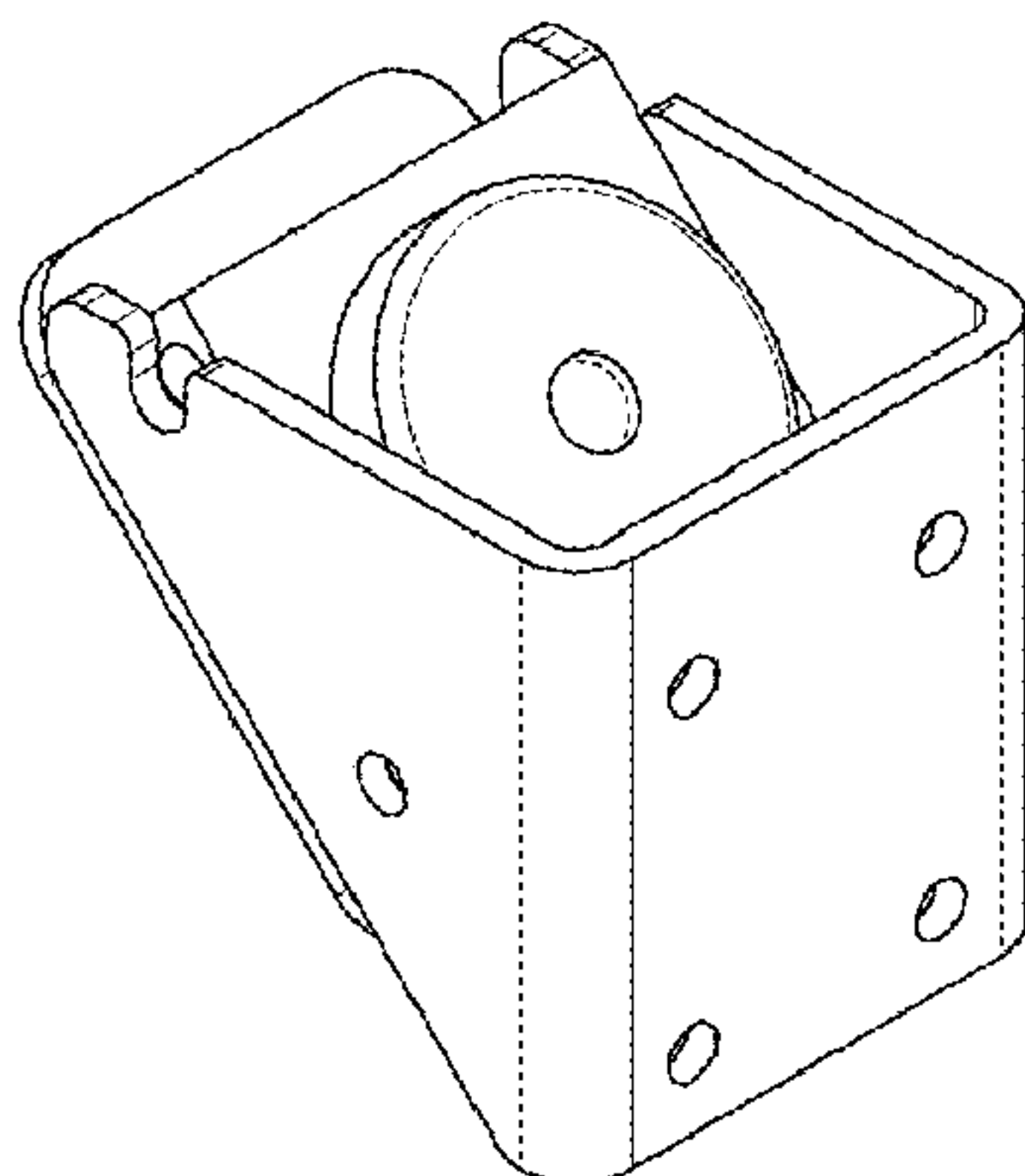
The ornamental design for a mount for a fuel tank frame assembly, as shown and described.

DESCRIPTION

FIG. 1 is a perspective view of mount for a fuel tank frame assembly showing our new design;
FIG. 2 is a front view thereof;
FIG. 3 is a back view thereof;
FIG. 4 is a first side view thereof;
FIG. 5 is a second side view thereof;
FIG. 6 is a top view thereof; and,
FIG. 7 is bottom view thereof.

The broken lines depict portions of the mount for a fuel tank frame assembly that form no part of the claim.

1 Claim, 2 Drawing Sheets



(56)

References Cited

U.S. PATENT DOCUMENTS

D697,195	S	1/2014	Gibb	
D711,211	S *	8/2014	Walker	D8/349
8,807,256	B2	8/2014	Gibb	
D714,616	S *	10/2014	Walker	D8/349
D747,277	S *	1/2016	Katsnelson	D13/155
9,340,108	B2	5/2016	Goedken	
9,428,333	B2	8/2016	Simmons	
D829,537	S *	10/2018	Smith	D8/366
D835,973	S *	12/2018	Bertato	D8/354
2008/0237433	A1 *	10/2008	Hardin	B44C 5/02 248/467
2011/0056481	A1	3/2011	Binzer	
2013/0309507	A1	11/2013	Lau	
2014/0212822	A1	7/2014	Kirby	
2015/0008228	A1	1/2015	Zrim	
2018/0112387	A1 *	4/2018	Bertato	E04B 1/0038
2018/0298603	A1 *	10/2018	Preece	E04B 1/003

OTHER PUBLICATIONS

Luis Salem, Agility Introduces All-New CNG Rail-Mounted Fuel Systems, Press Release, Mar. 22, 2012, 2 pp, Santa Ana, CA.
 Luis Salem, Agility Launches an All-New CNG Product, Offering the Most Space Efficient Natural Gas Fuel System in the Market, Press Release, Jun. 24, 2013, 2 pp, Santa Ana, CA.

* cited by examiner

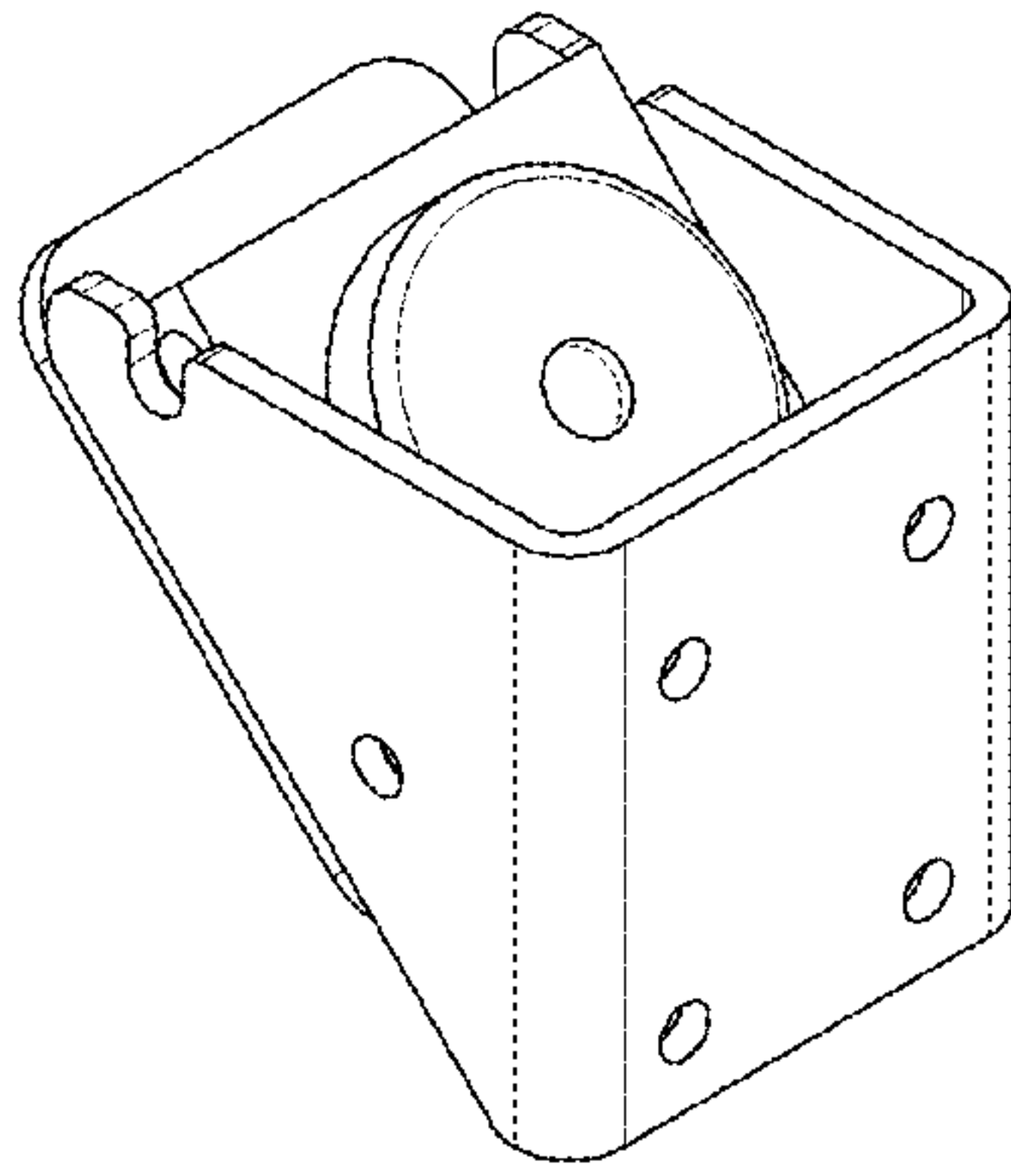


FIG. 1

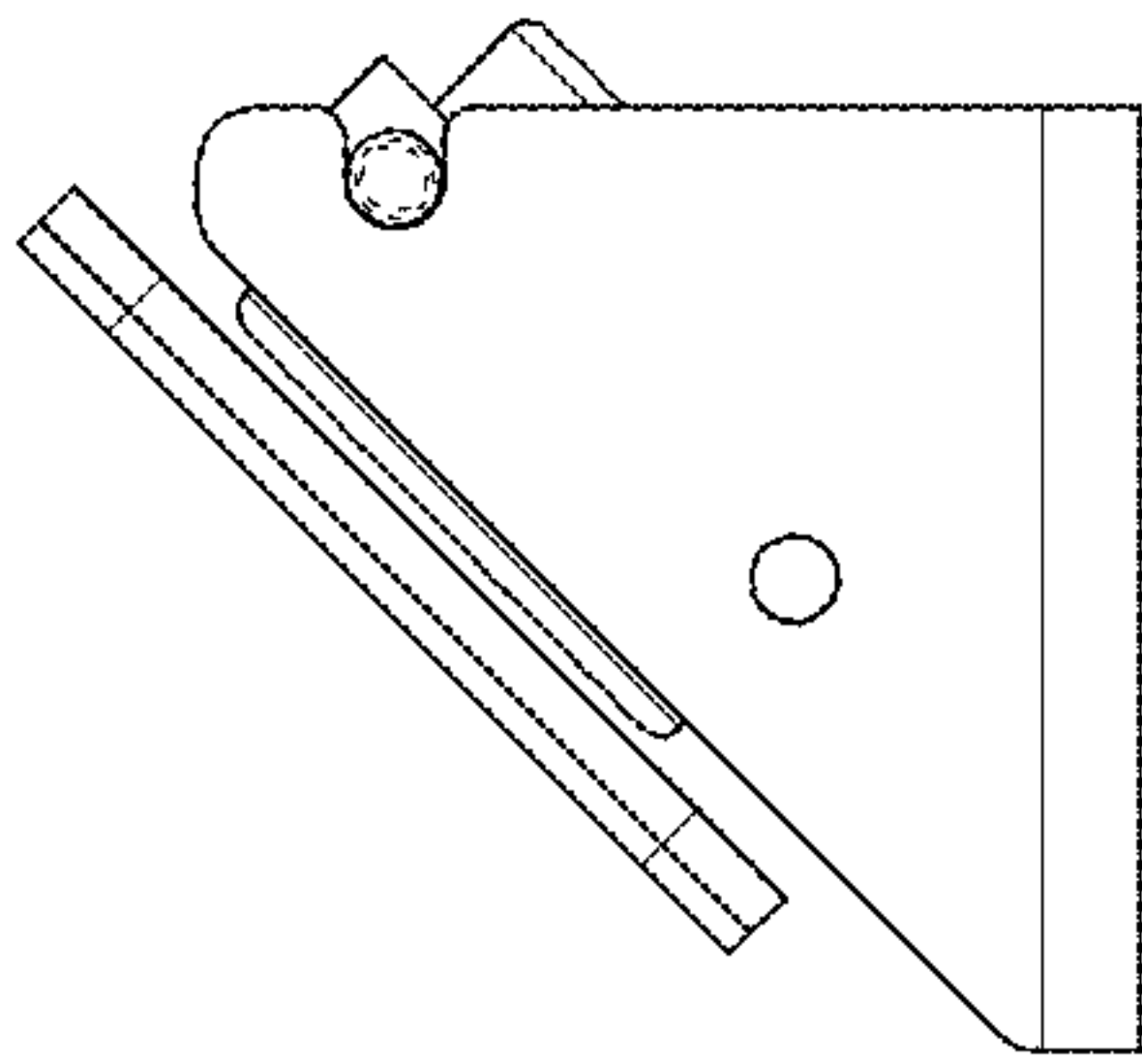


FIG. 2

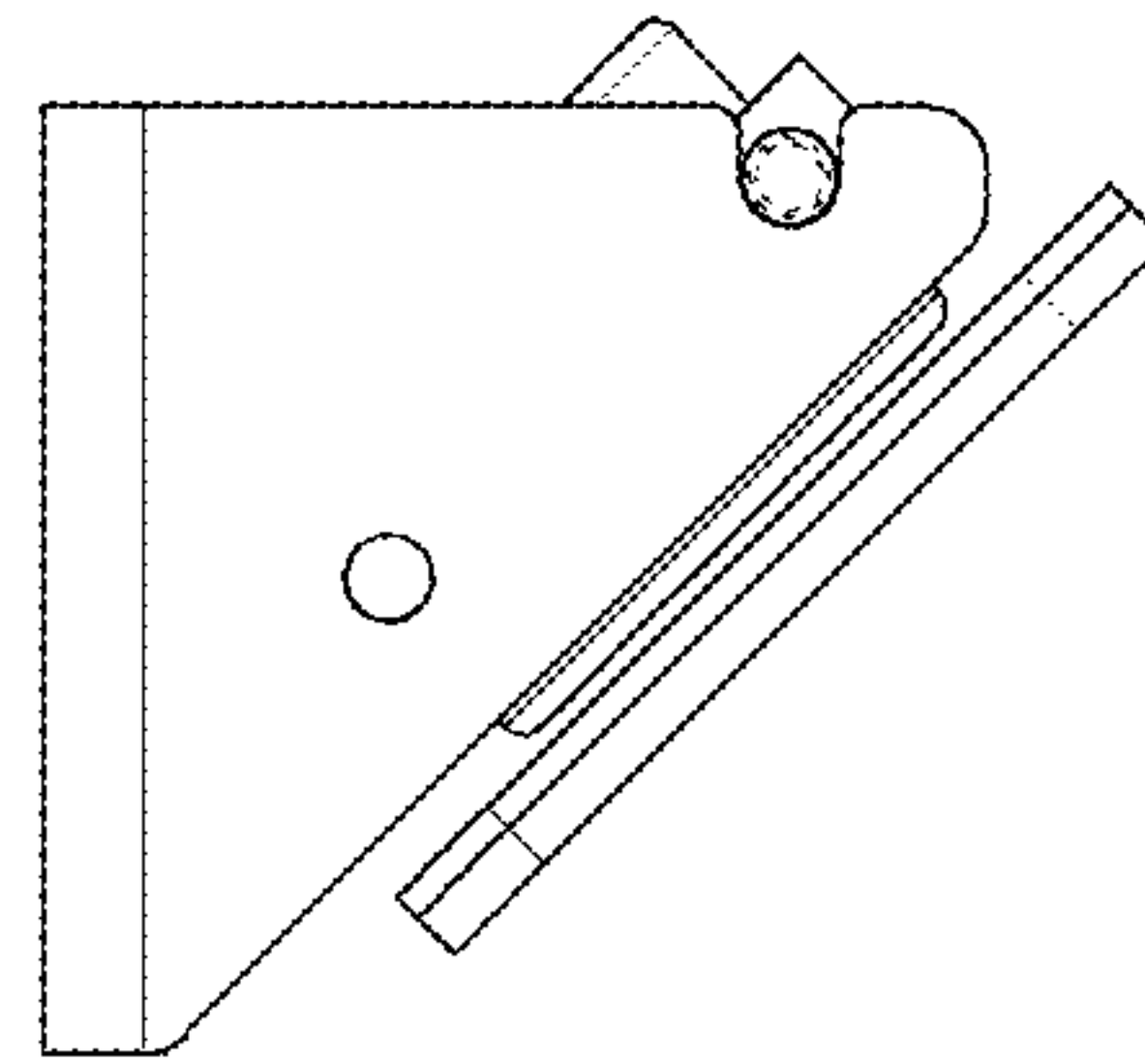


FIG. 3

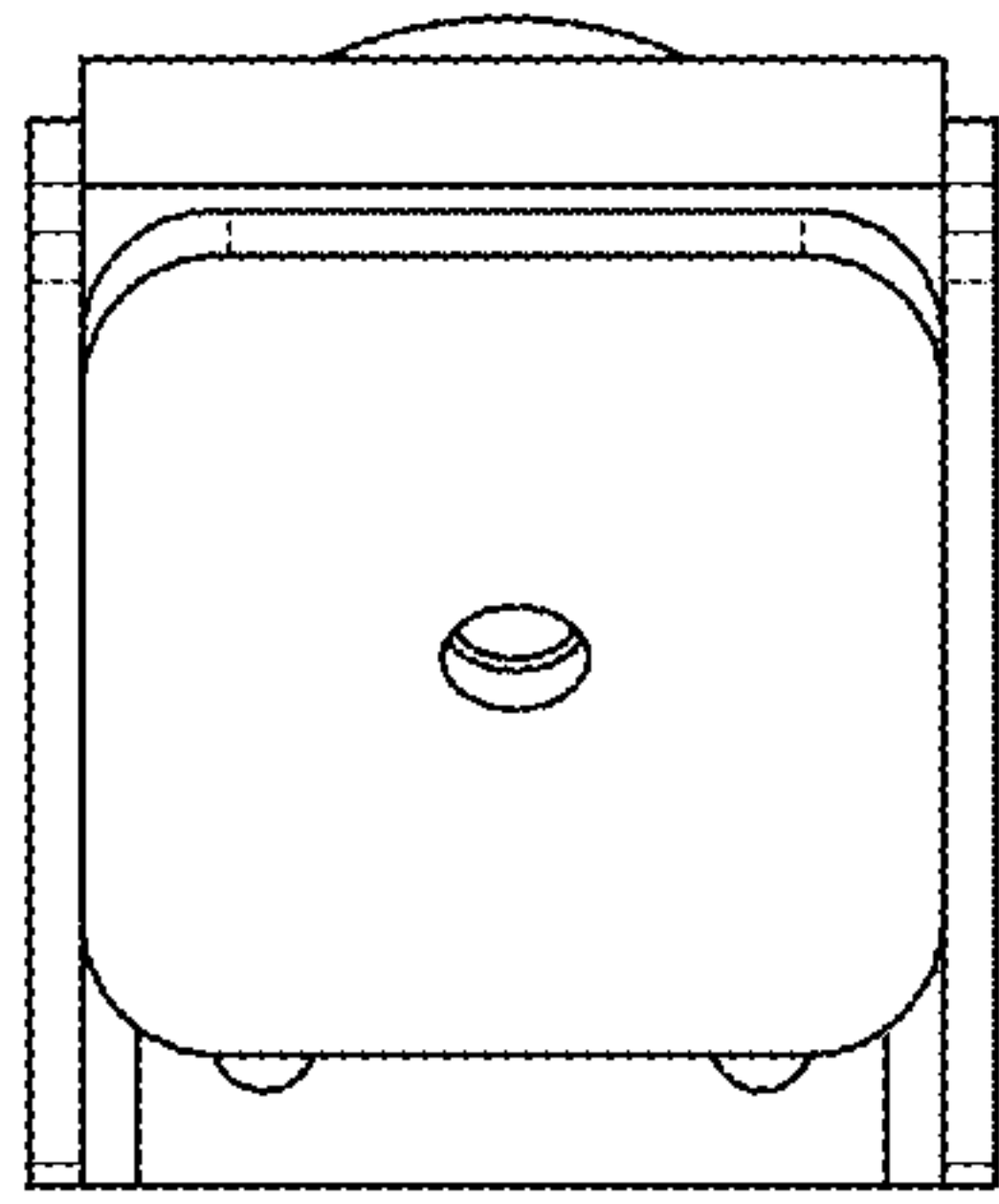


FIG. 4

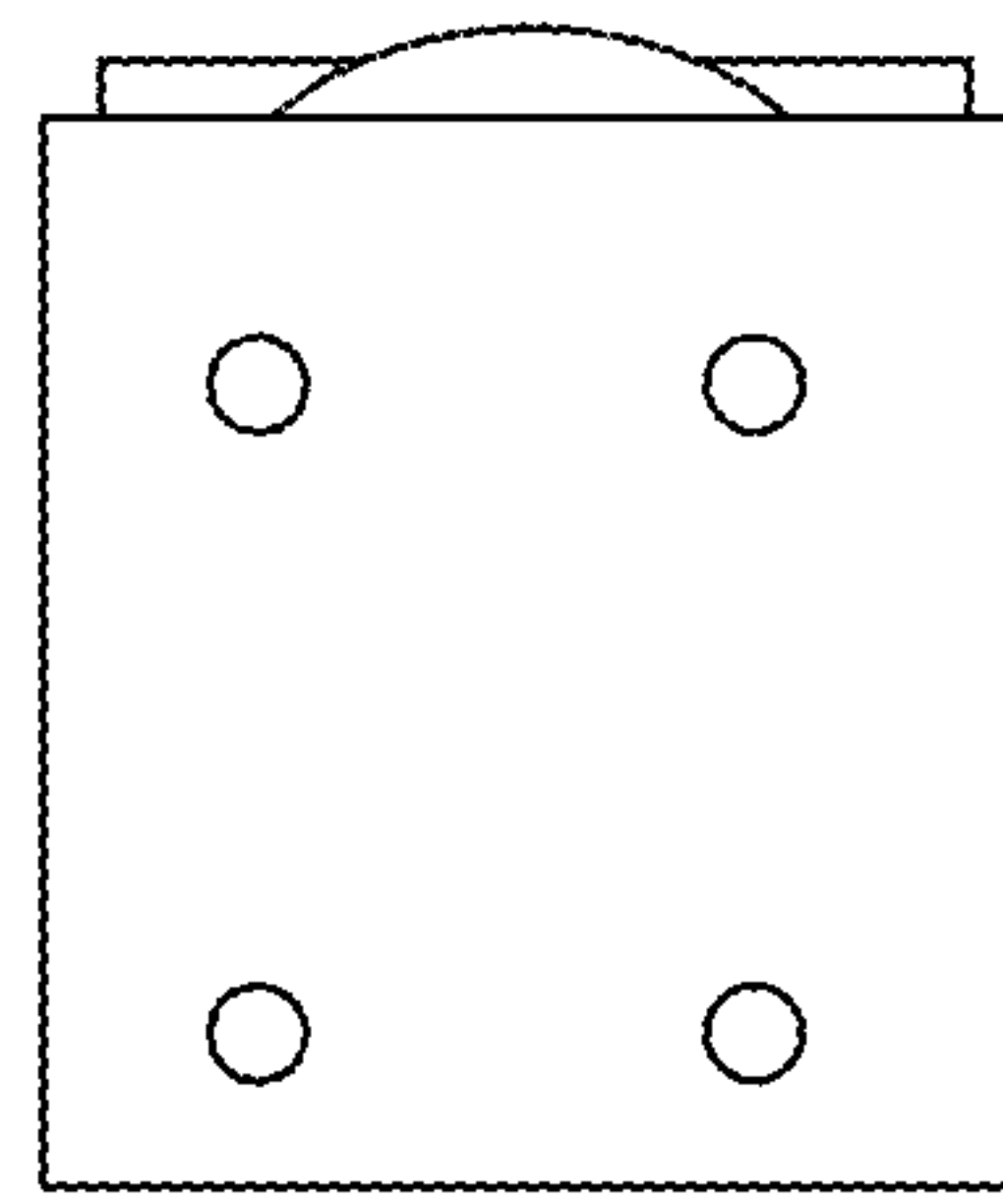


FIG. 5

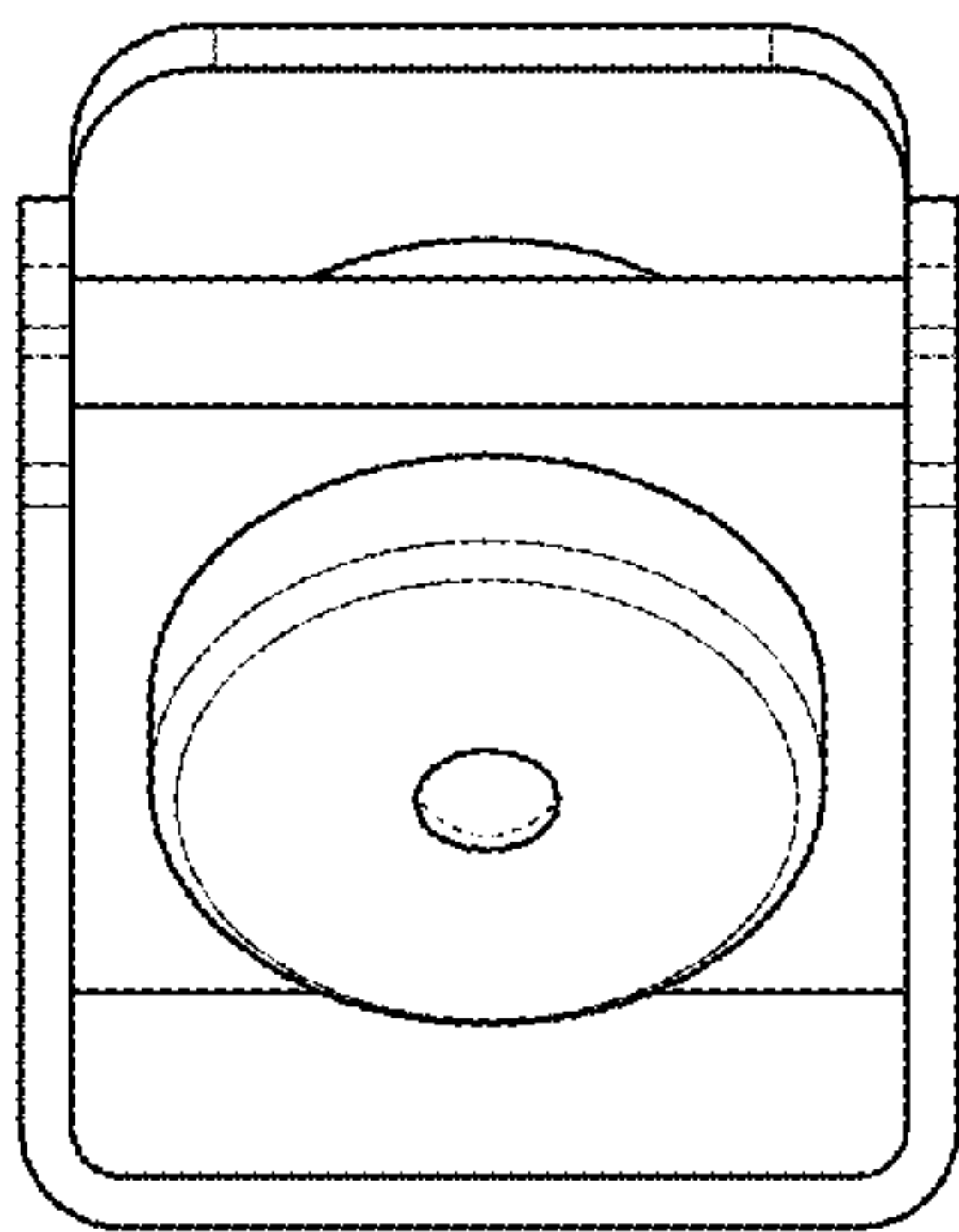


FIG. 6

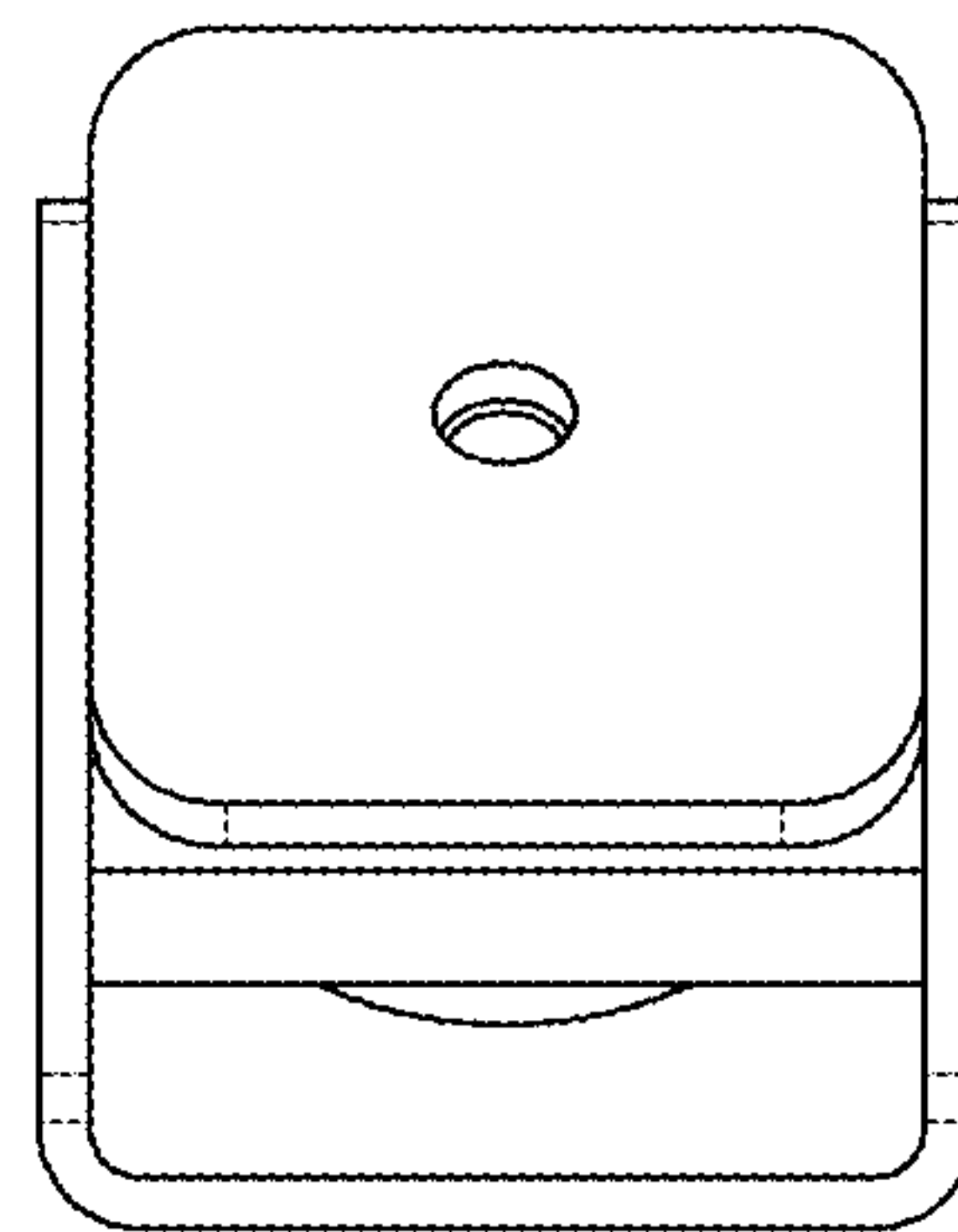


FIG. 7