



US00D866288S

(12) **United States Design Patent** (10) **Patent No.:** **US D866,288 S**
Roberts, III et al. (45) **Date of Patent:** **** Nov. 12, 2019**

(54) **DOOR LEVER**
(71) Applicant: **Schlage Lock Company LLC**, Carmel, IN (US)
(72) Inventors: **Rockwood T. Roberts, III**, Carmel, IN (US); **Veronica H. Santoso**, Plainsboro, NJ (US)
(73) Assignee: **Schlage Lock Company LLC**, Carmel, IN (US)

D549,548 S * 8/2007 Roberts, III D8/308
D568,138 S * 5/2008 Singtoroj D8/308
D583,212 S * 12/2008 Grohmann D8/308
D621,681 S * 8/2010 Roberts, III D8/308
D621,682 S * 8/2010 Roberts, III D8/308
D698,220 S * 1/2014 Watson D8/308
D710,180 S * 8/2014 Roberts, III E05B 85/10
D713,710 S * 9/2014 Roberts, III D8/308
D734,120 S * 7/2015 Hsu D8/308
D734,121 S * 7/2015 Schneider D8/308

(Continued)

(**) Term: **15 Years**

(21) Appl. No.: **29/645,223**

(22) Filed: **Apr. 24, 2018**

(51) **LOC (12) Cl.** **08-06**

(52) **U.S. Cl.**
USPC **D8/308**

(58) **Field of Classification Search**
USPC D8/308, 330, 337, 338
CPC E05B 1/00; E05B 3/00; E05B 7/00; E05B 13/00; E05B 53/003; E05B 63/08; E05C 1/163; E05C 1/004; Y10S 16/30; Y10S 16/32; Y10S 16/07; Y10S 292/31
See application file for complete search history.

(56) **References Cited**

U.S. PATENT DOCUMENTS

2,729,485 A * 1/1956 Schlage E05B 3/065
267/150
5,184,853 A * 2/1993 Whatley E05B 13/002
292/205
D457,048 S * 5/2002 Zoerner D8/308
6,857,300 B1 * 2/2005 Heeley E05B 13/004
70/210
D532,279 S * 11/2006 Bouroullec D8/308
D541,824 S * 5/2007 Yanagida D15/28
D549,545 S * 8/2007 Schneider D8/308
D549,547 S * 8/2007 Singtoroj D8/308

OTHER PUBLICATIONS

Item No. 171, Omnia, printed on Mar. 16, 2018, 1 page, also available at <http://www.omniaindustries.com/lever-latchsets-171-427>, copyright 2018 OMNIA Industries, Inc.

Primary Examiner — John Windmuller

Assistant Examiner — Steven J Czyz

(74) *Attorney, Agent, or Firm* — Taft Stettinius & Hollister LLP

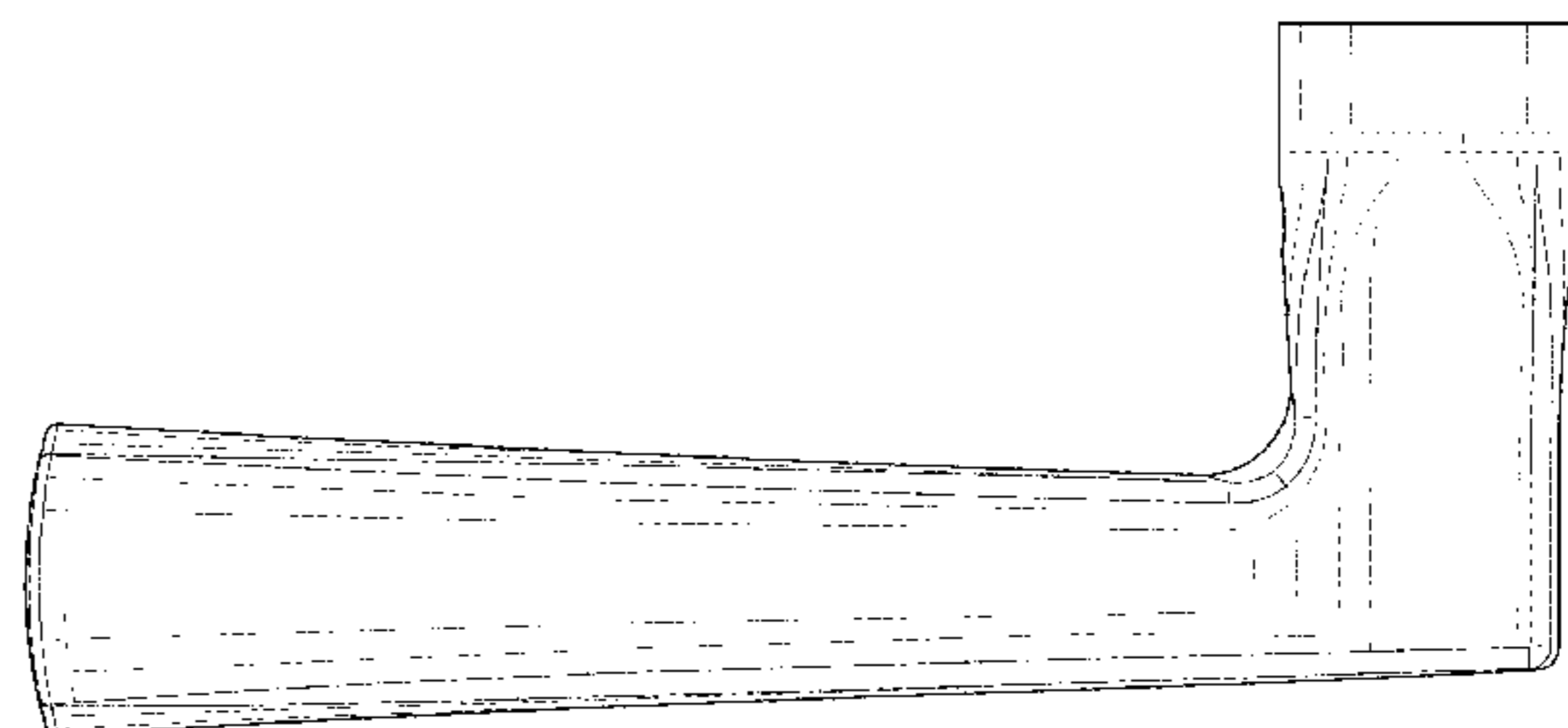
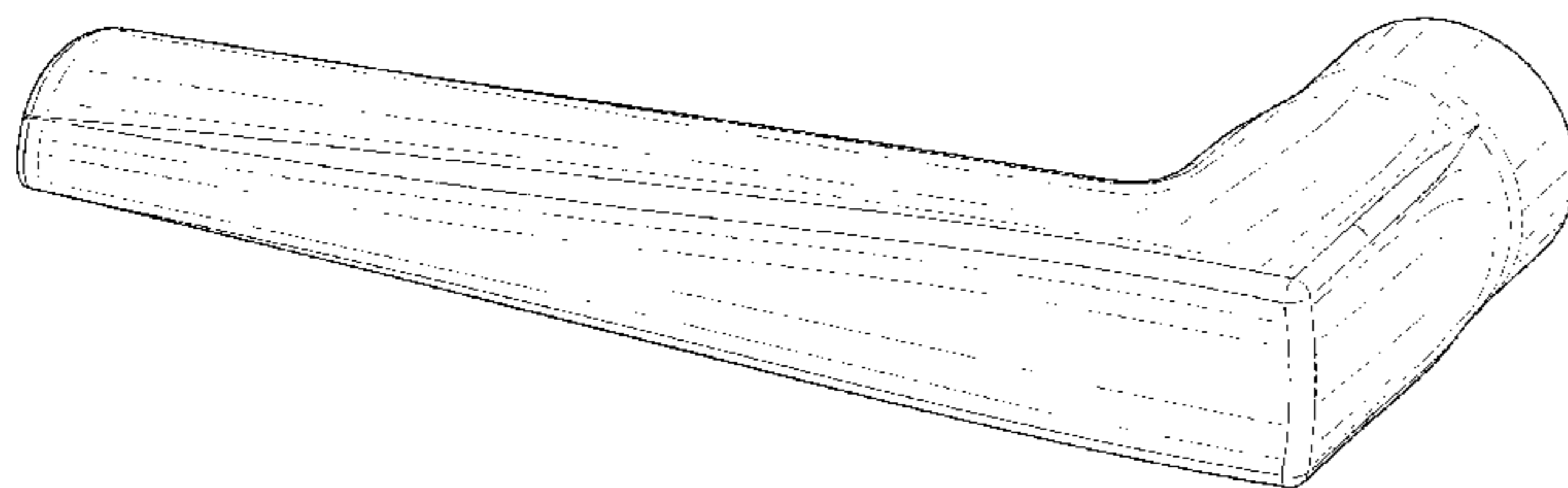
(57) **CLAIM**

The ornamental design for a door lever, as shown and described.

DESCRIPTION

FIG. 1 is a top, front, right side perspective view of a door lever showing our new design;
FIG. 2 is a bottom, rear, left side perspective view thereof;
FIG. 3 is a front elevational view thereof;
FIG. 4 is a top plan view thereof;
FIG. 5 is a right side elevational view thereof;
FIG. 6 is a left side elevational view thereof;
FIG. 7 is a rear elevational view thereof; and,
FIG. 8 is a bottom plan view thereof.
The broken lines depict portions of the article that form no part of the claimed design.

1 Claim, 5 Drawing Sheets



(56)

References Cited

U.S. PATENT DOCUMENTS

D734,123	S *	7/2015	Chen	D8/308
9,169,669	B2 *	10/2015	Clary	E05B 41/00
D745,360	S *	12/2015	Sun	D8/308
D756,742	S *	5/2016	Nishida Watson	D8/308
D789,765	S *	6/2017	Wang	D8/308
D796,935	S *	9/2017	Groleski	D8/308
D797,251	S *	9/2017	Downey	D23/252
D797,541	S *	9/2017	Groleski	D8/308
D805,874	S *	12/2017	Landecker	D8/308
D806,508	S *	1/2018	Weise	D8/308
D806,509	S *	1/2018	Weise	D8/308
9,957,734	B2 *	5/2018	Ali	E05B 63/18
9,982,455	B2 *	5/2018	Badhya	E05B 55/005
D824,235	S *	7/2018	Schneider	D8/308
D826,683	S *	8/2018	Hsu	D8/308
D828,138	S *	9/2018	Shargh	D8/308
D828,741	S *	9/2018	Shargh	D8/308
D843,195	S *	3/2019	Ronge	D8/302
2014/0007631	A1 *	1/2014	Wood	E05B 63/08 70/357

* cited by examiner

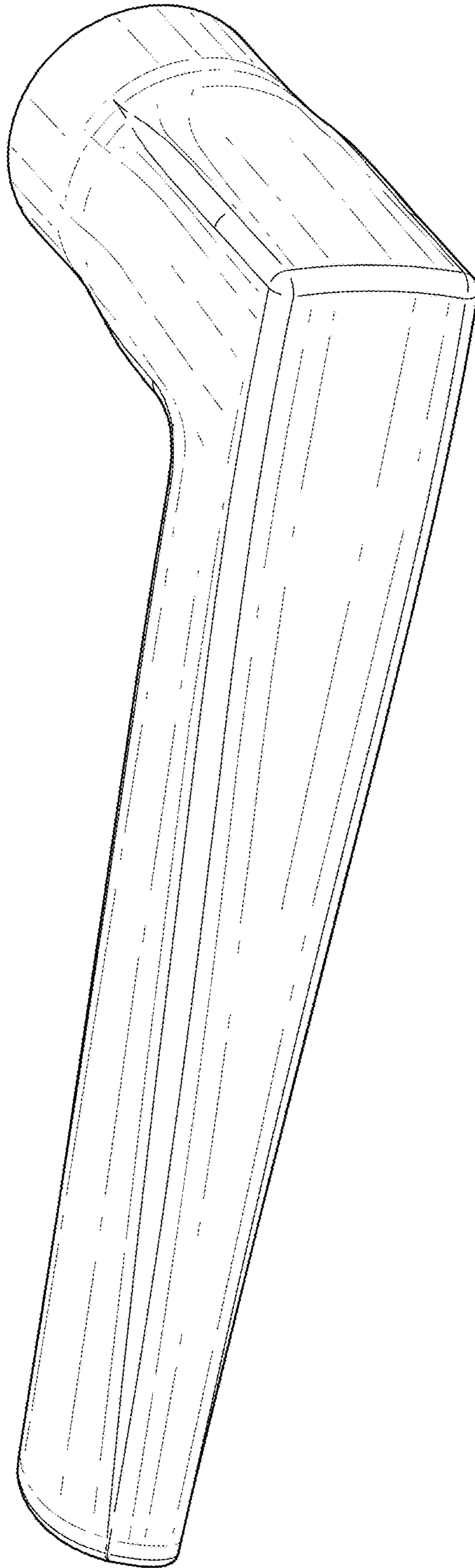


Fig. 1

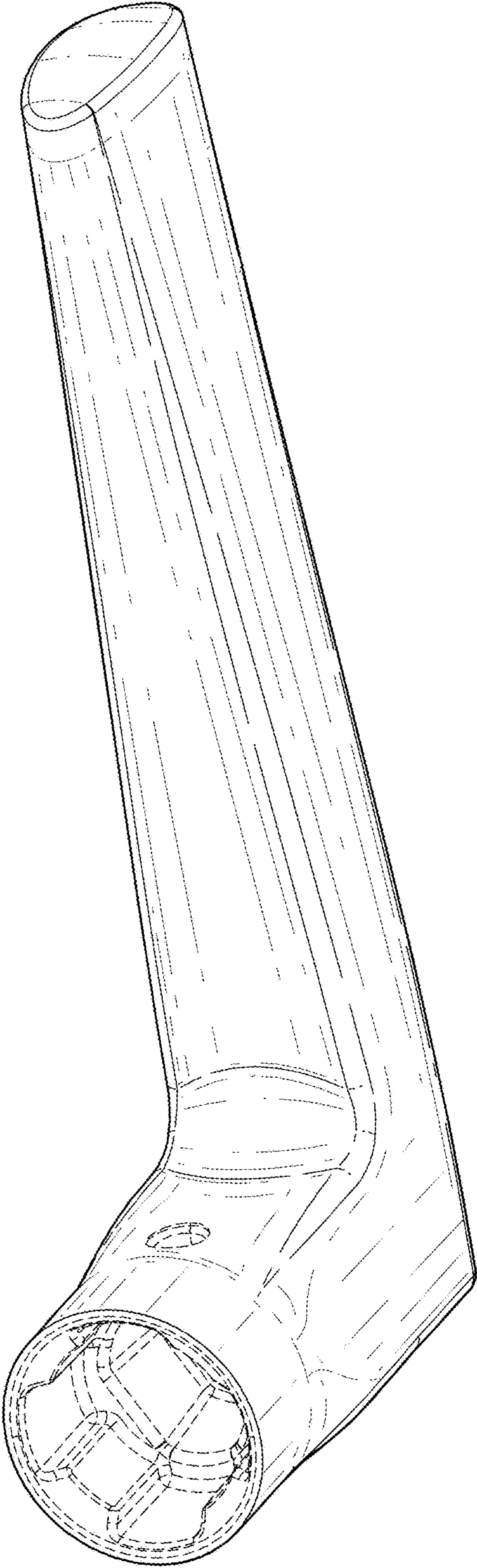


Fig. 2

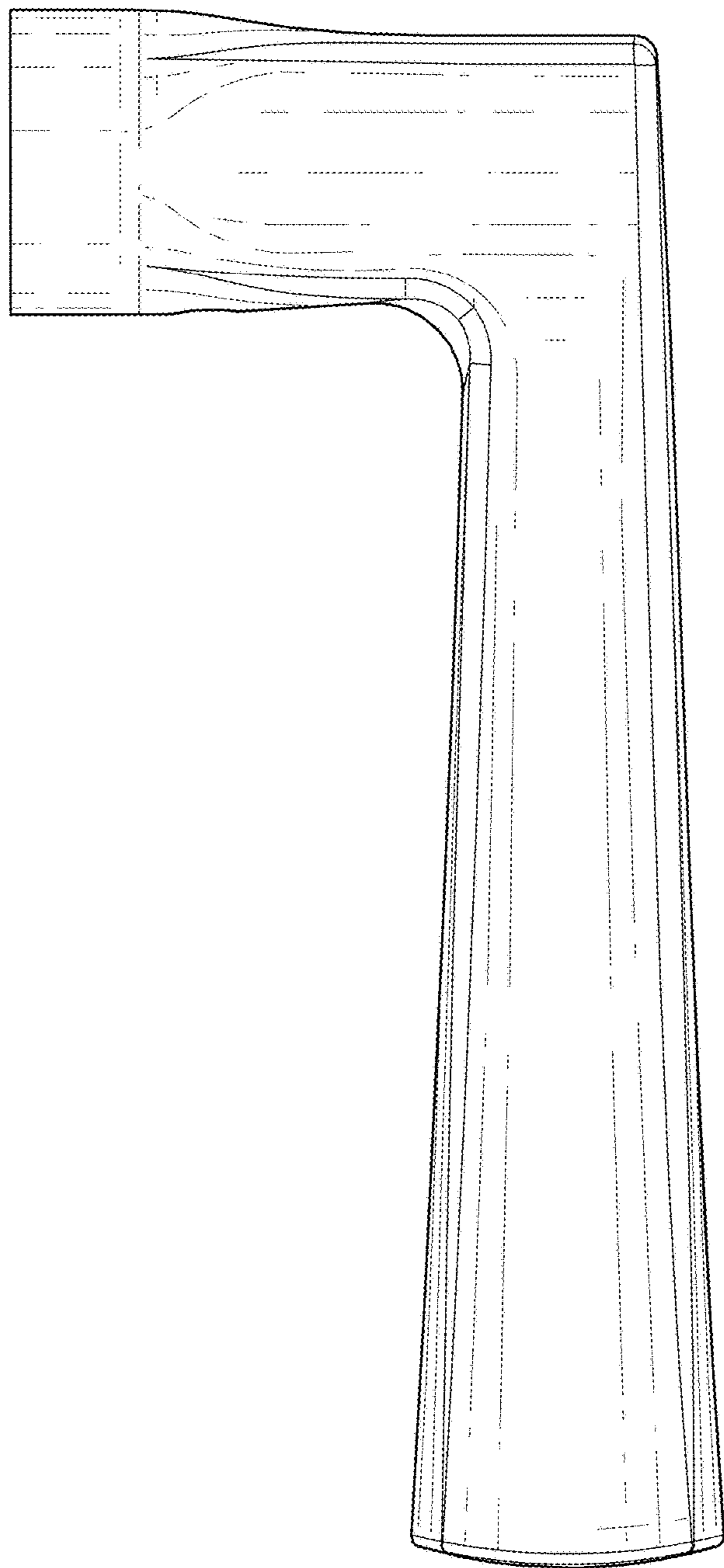


Fig. 4

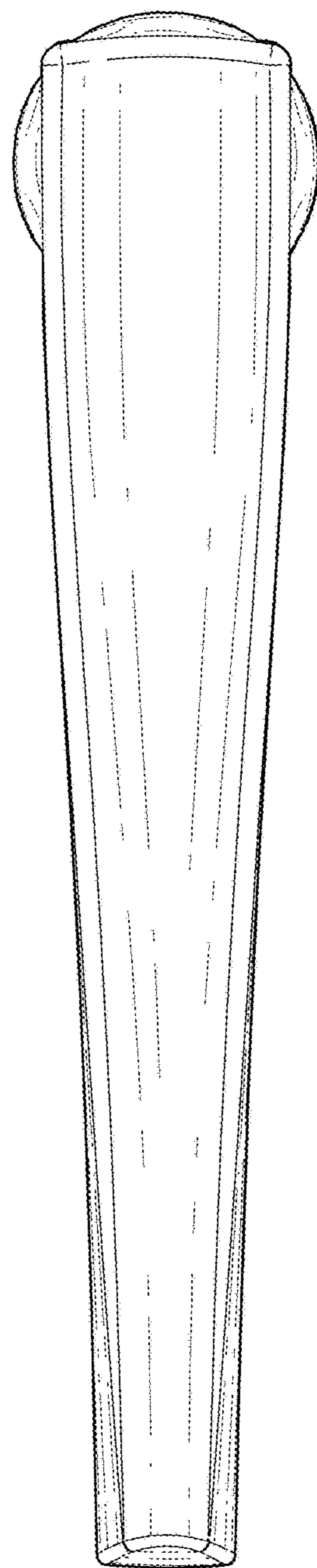


Fig. 3

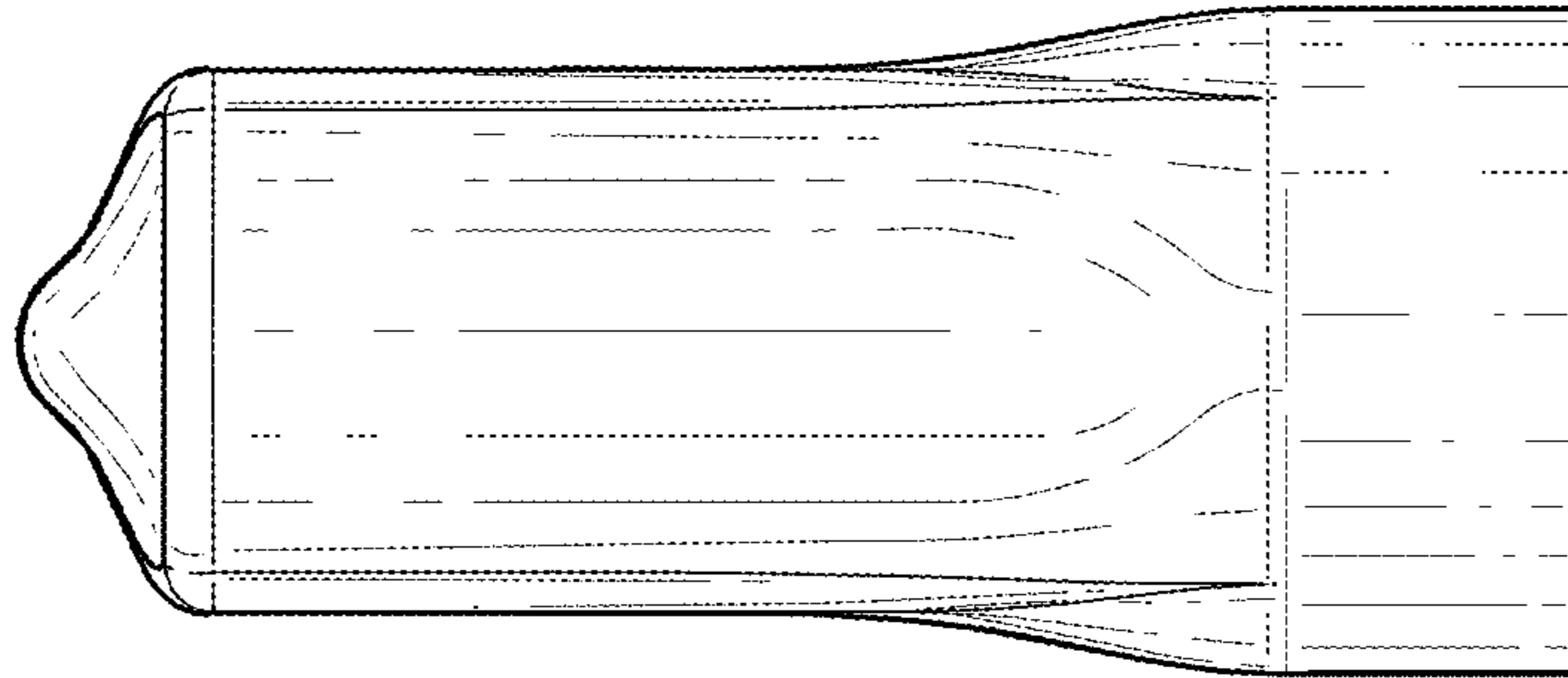


Fig. 5

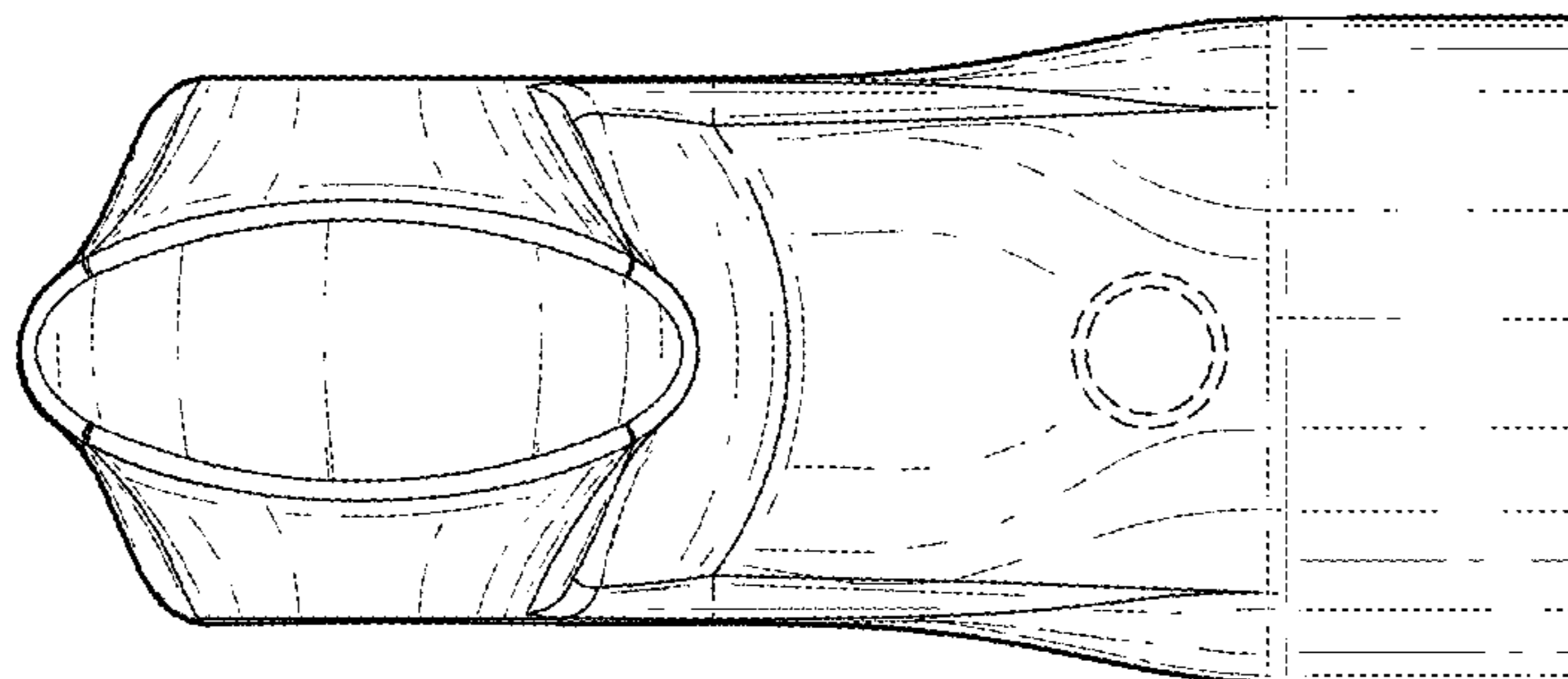


Fig. 6

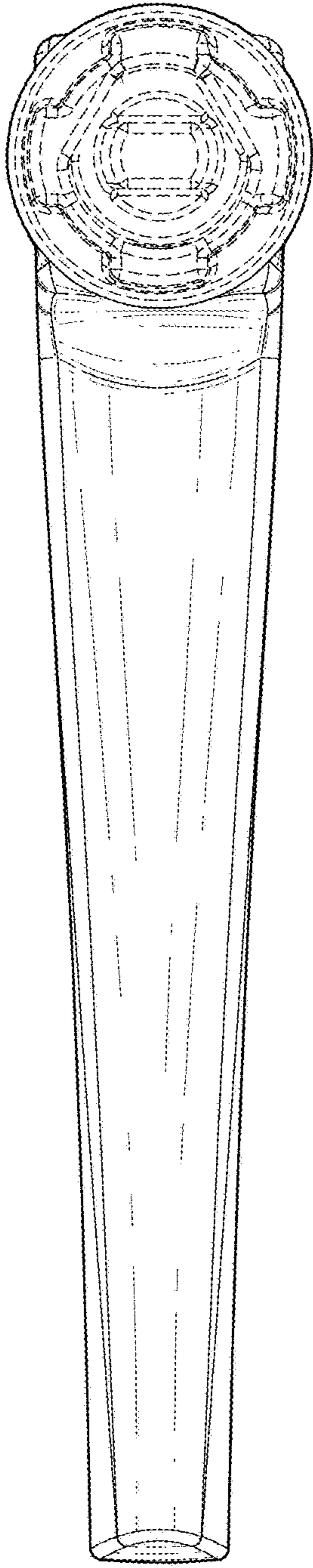


Fig. 7

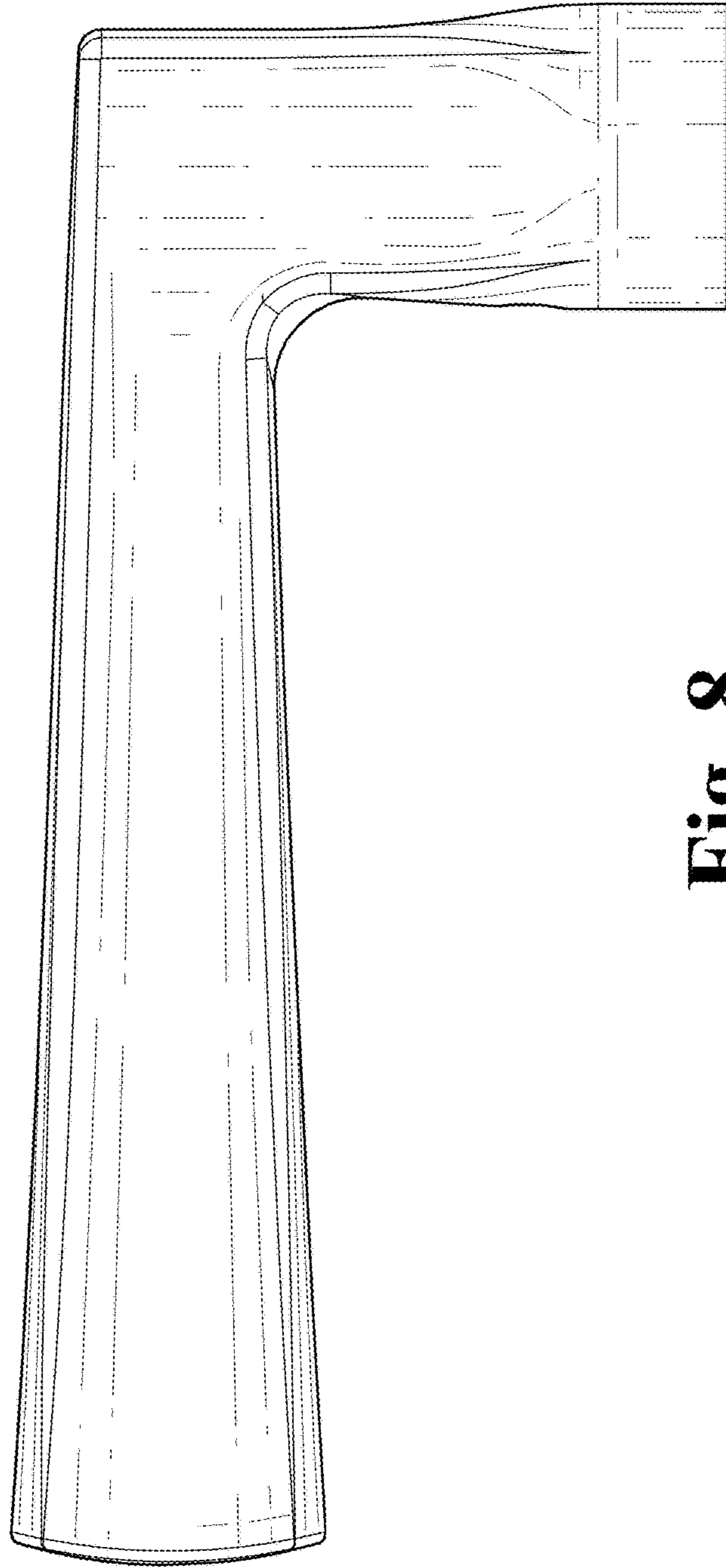


Fig. 8