

US00D866286S

(12) **United States Design Patent** (10) **Patent No.:** **US D866,286 S**
Parks (45) **Date of Patent:** **** Nov. 12, 2019**

(54) **MULTI-TOOL**

(71) Applicant: **CruzTools, Inc.**, Sonora, CA (US)

(72) Inventor: **Dan Parks**, Sonora, CA (US)

(73) Assignee: **GrooveTech Tools, Inc.**, Sonora, CA (US)

(**) Term: **15 Years**

(21) Appl. No.: **29/626,546**

(22) Filed: **Nov. 17, 2017**

(51) **LOC (12) Cl.** **08-05**

(52) **U.S. Cl.**
USPC **D8/105**

(58) **Field of Classification Search**
USPC ... D8/11, 26, 52, 54, 55, 75, 76, 88, 95, 99,
D8/105-107; D29/124; D22/117, 118
CPC . B25F 1/006; B25F 1/003; A62B 3/00; B25D
1/00; F41B 13/00
See application file for complete search history.

(56) **References Cited**

U.S. PATENT DOCUMENTS

D364,327 S	*	11/1995	Graham	D8/105
D383,048 S	*	9/1997	Sorensen	D8/105
D398,212 S	*	9/1998	Cachot	D8/105
D427,875 S	*	7/2000	Chiu	D8/105

(Continued)

OTHER PUBLICATIONS

Cruz Tools CRU-GTMLT1 Guitar/Bass Multi-Tool, Cruz Tools, first listed on May 20, 2004 on amazon.com, retrieved on Jan. 9, 2019, retrieved from the Internet URL: https://www.amazon.com/Cruz-Tools-CRU-GTMLT1-Guitar-Multi-Tool/dp/B001TY0FK6/ref=pd_day0_hl_267_4?encoding=UTF8&pd_rd_i=B001TY0FK6&pd_rd_r=077f3597-14ee-11e.*

(Continued)

Primary Examiner — Jennifer Rivard
Assistant Examiner — Alison M Ofstun

(74) *Attorney, Agent, or Firm* — Ice Miller LLP

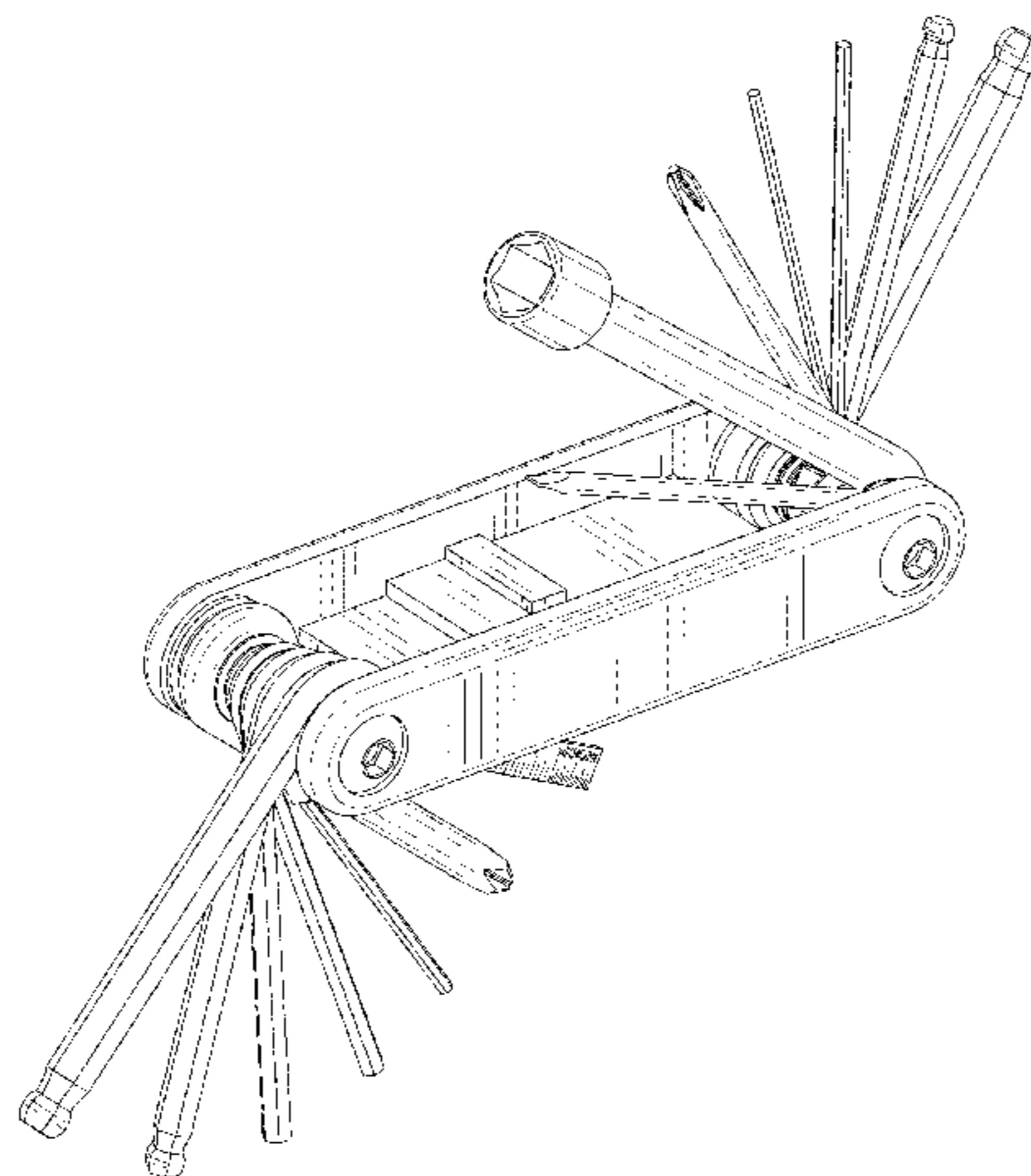
(57) **CLAIM**

The ornamental design for a multi-tool, as shown and described.

DESCRIPTION

FIG. 1 is a top perspective view of a multi-tool in an expanded configuration showing our new design; FIG. 2 is a bottom perspective view of the multi-tool in an expanded configuration; FIG. 3 is a side elevation view of the multi-tool in an expanded configuration; FIG. 4 is a side elevation view of the multi-tool in an expanded configuration; FIG. 5 is a side elevation view of the multi-tool in an expanded configuration; FIG. 6 is a side elevation view of the multi-tool in an expanded configuration; FIG. 7 is a top plan view of the multi-tool in an expanded configuration; FIG. 8 is a bottom plan view of the multi-tool in an expanded configuration; FIG. 9 is a top perspective view of the multi-tool in a retracted configuration; FIG. 10 is a bottom perspective view of the multi-tool in a retracted configuration; FIG. 11 is a side elevation view of the multi-tool in a retracted configuration; FIG. 12 is a side elevation view of the multi-tool in a retracted configuration; FIG. 13 is a side elevation view of the multi-tool in a retracted configuration; FIG. 14 is a side elevation view of the multi-tool in a retracted configuration; FIG. 15 is a top plan view of the multi-tool in a retracted configuration; and, FIG. 16 is a bottom plan view of the multi-tool in a retracted configuration.

1 Claim, 11 Drawing Sheets



(56)

References Cited

U.S. PATENT DOCUMENTS

6,101,654 A * 8/2000 Cachot B25F 1/003
7/128
D437,541 S * 2/2001 Hermansen D8/105
D542,111 S * 5/2007 Te D8/105
D544,329 S * 6/2007 Tansbo D8/105
7,481,137 B1 * 1/2009 Johnson B25B 13/56
30/161
D606,821 S * 12/2009 Schwartz D8/21
7,770,249 B2 * 8/2010 Araiza H02G 1/005
7/107
D632,155 S * 2/2011 Lai D8/107
9,457,460 B2 * 10/2016 Hermansen B25F 1/02
D799,296 S * 10/2017 Bradley D8/105
2002/0073490 A1 * 6/2002 Wu B25B 27/0071
7/138
2011/0289693 A1 * 12/2011 Tsai B25F 1/04
7/118

OTHER PUBLICATIONS

CruzTOOLS GTDMT1 Groove Tech Multi-Tool Drum, CruzTools,
first listed on Nov. 14, 2013 on amazon.com, retrieved on Jan. 9,
2019, retrieved from the Internet URL: [https://www.amazon.com/
CruzTOOLS-GTDMT1-Groove-Tech-Multi-Tool/dp/
B00GSJRU46](https://www.amazon.com/CruzTOOLS-GTDMT1-Groove-Tech-Multi-Tool/dp/B00GSJRU46).*

* cited by examiner

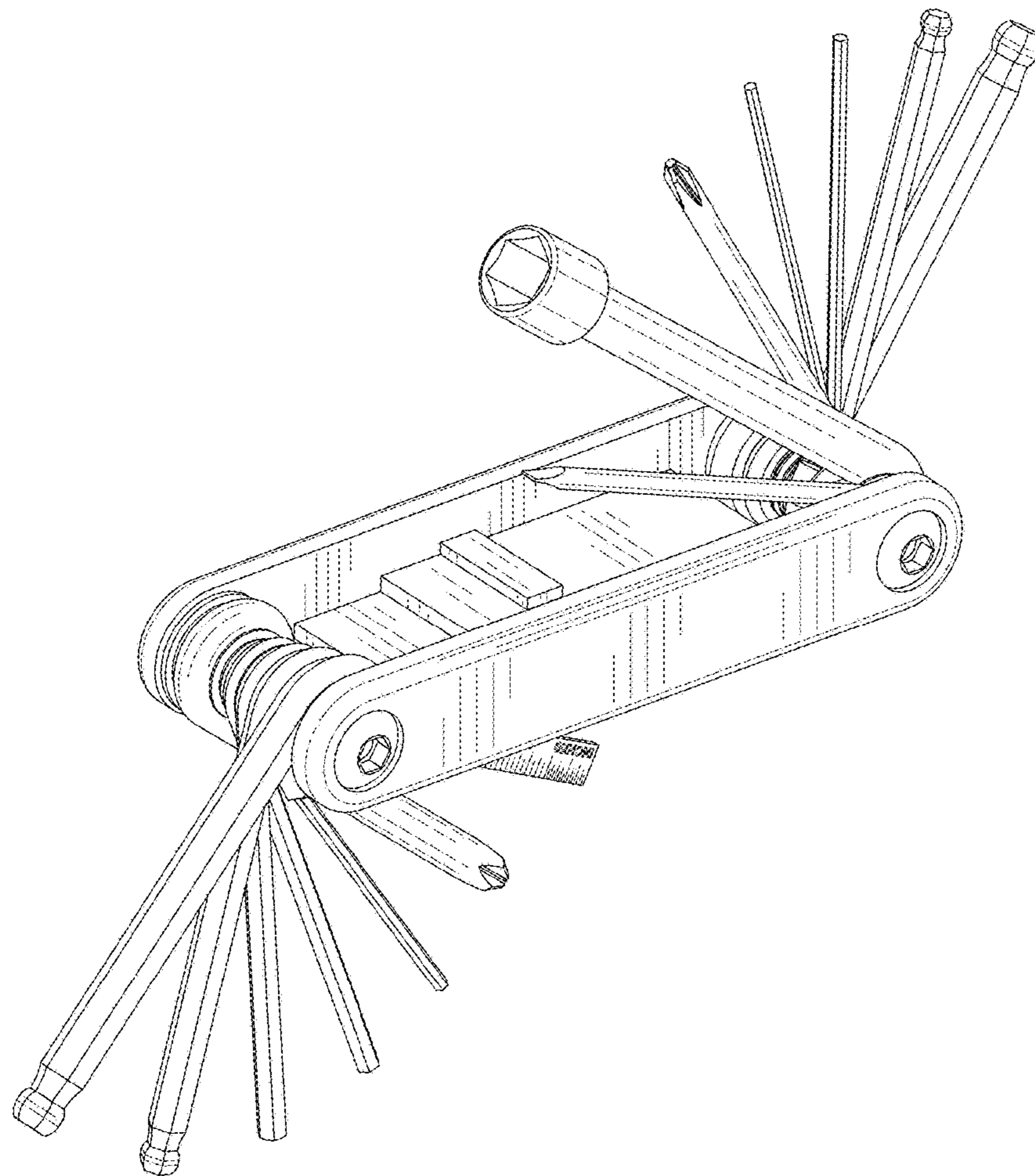


FIG. 1

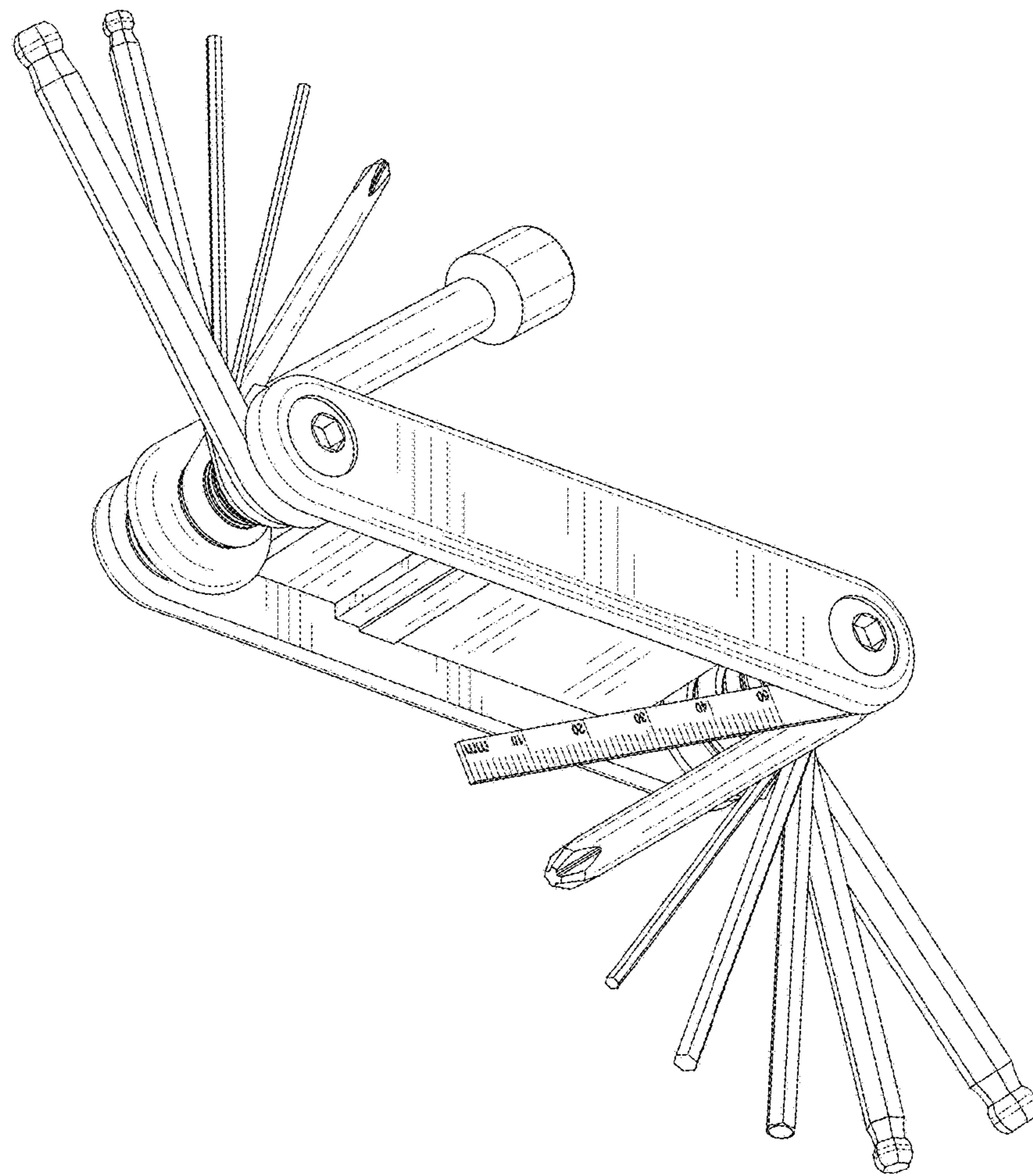


FIG. 2

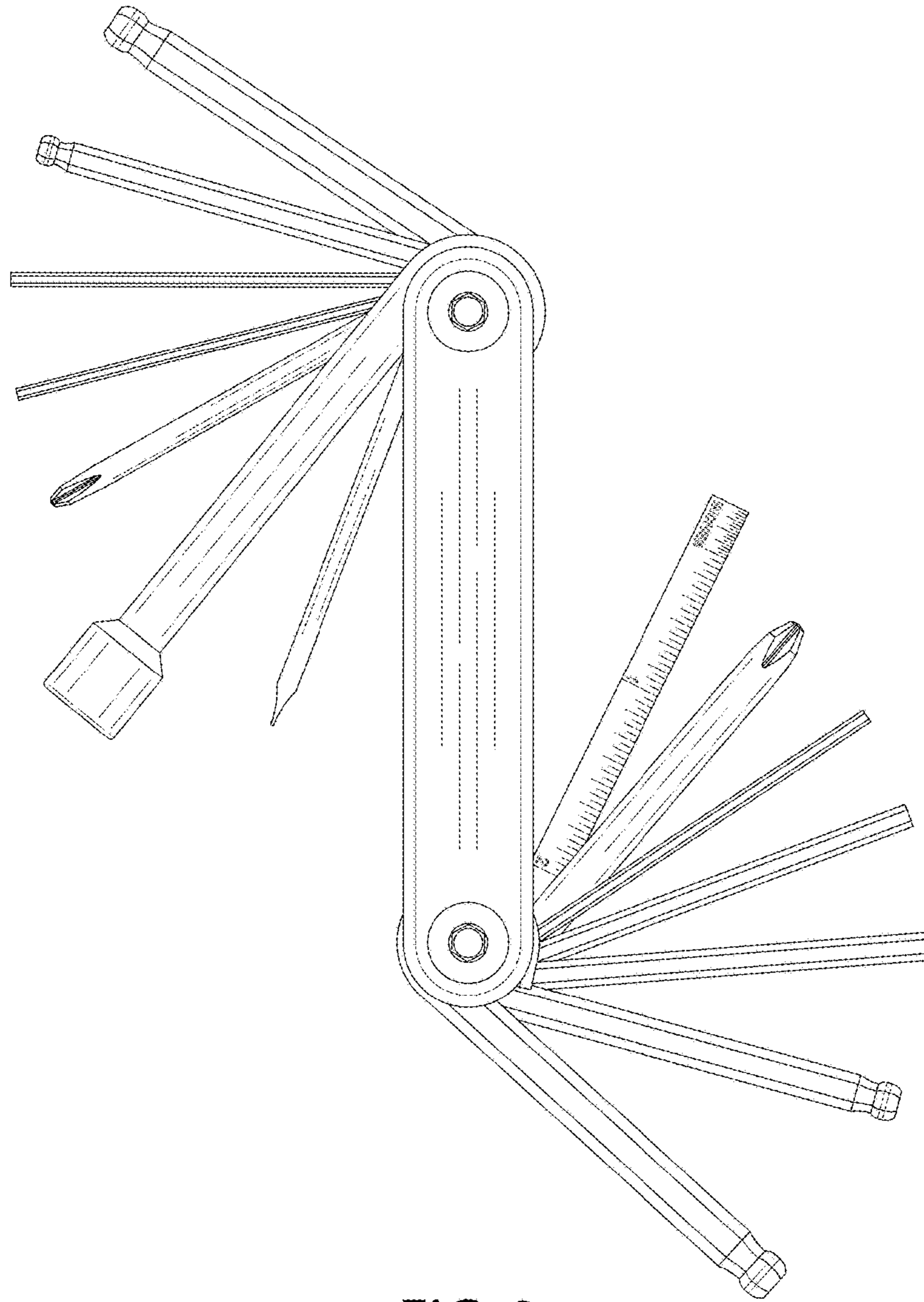


FIG. 3

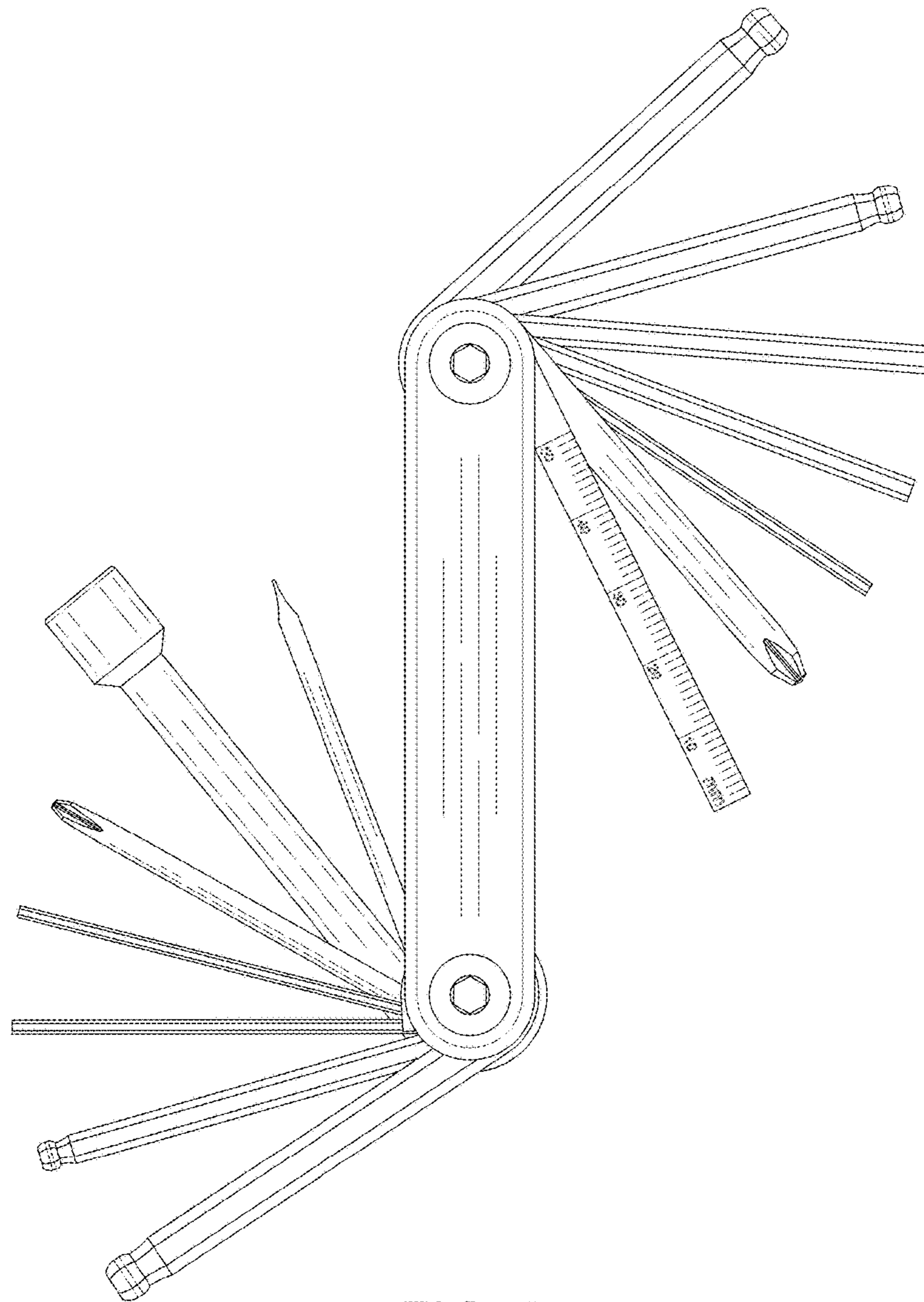


FIG. 4

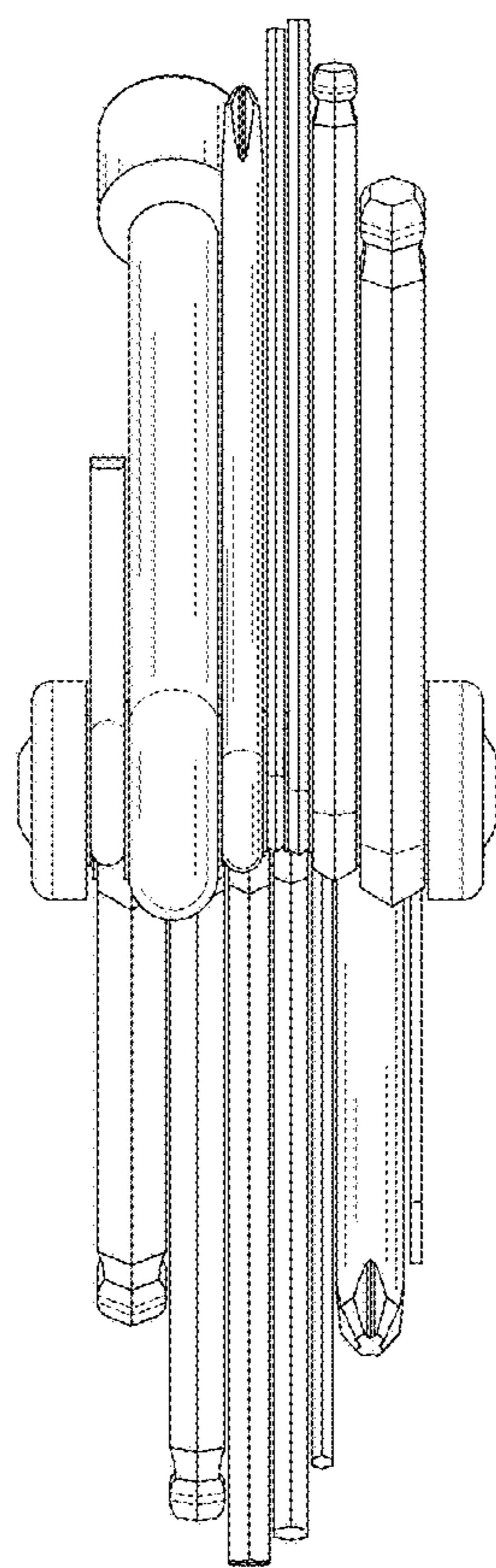


FIG. 5

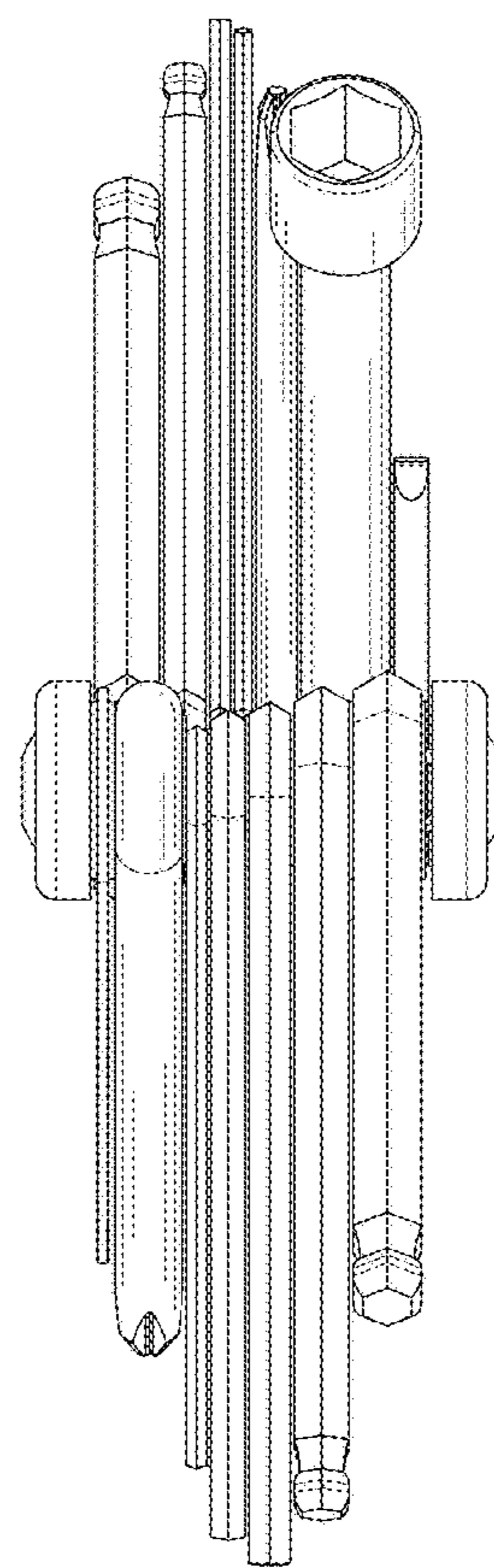


FIG. 6

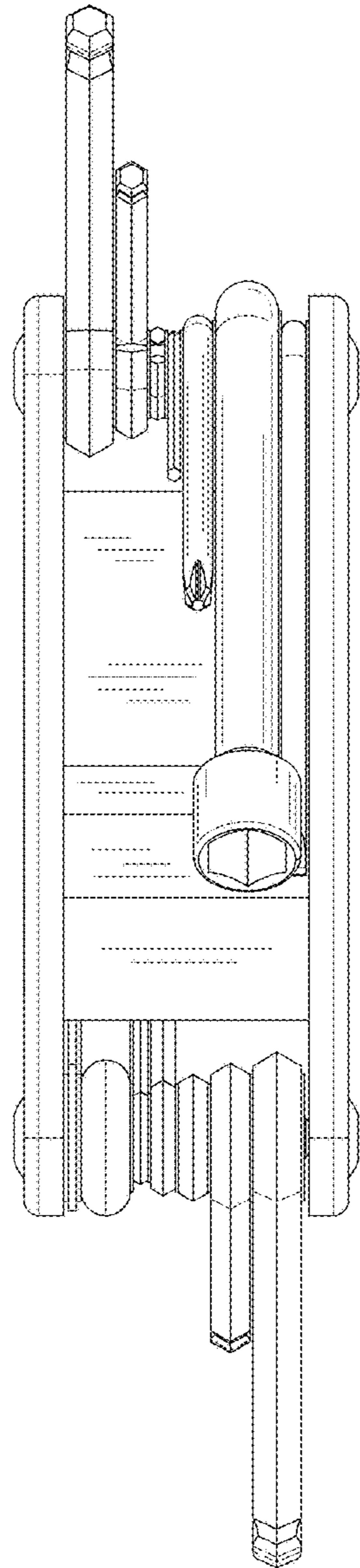


FIG. 7

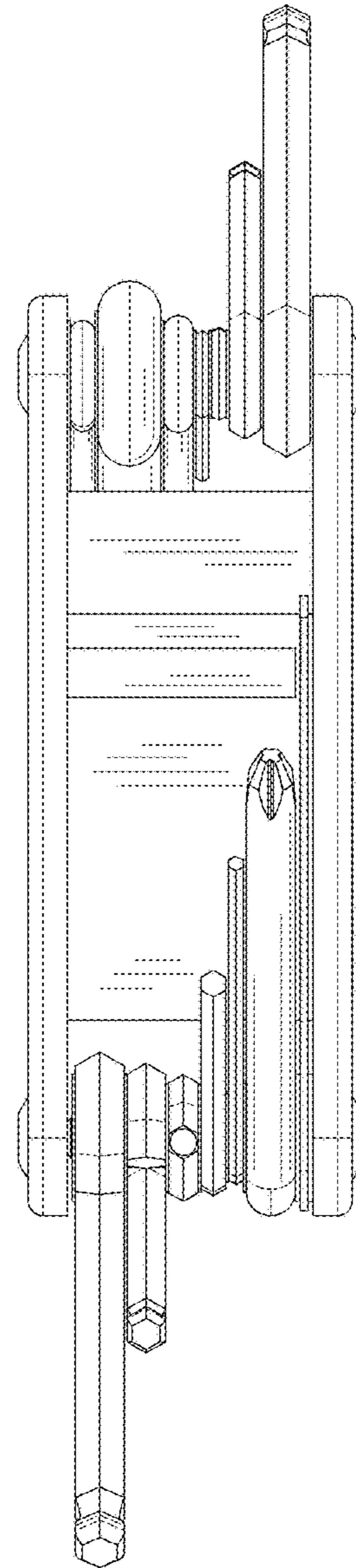


FIG. 8

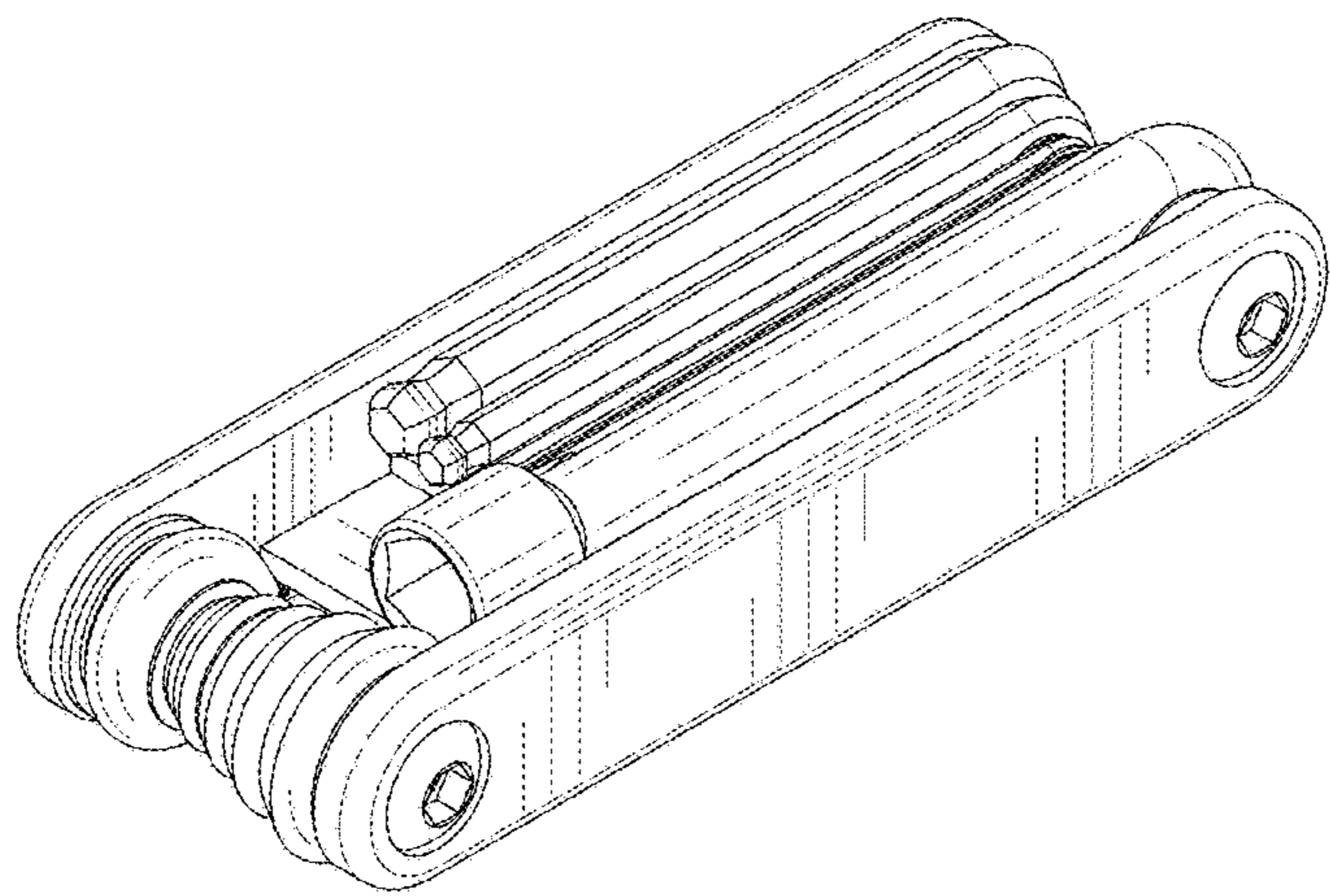


FIG. 9

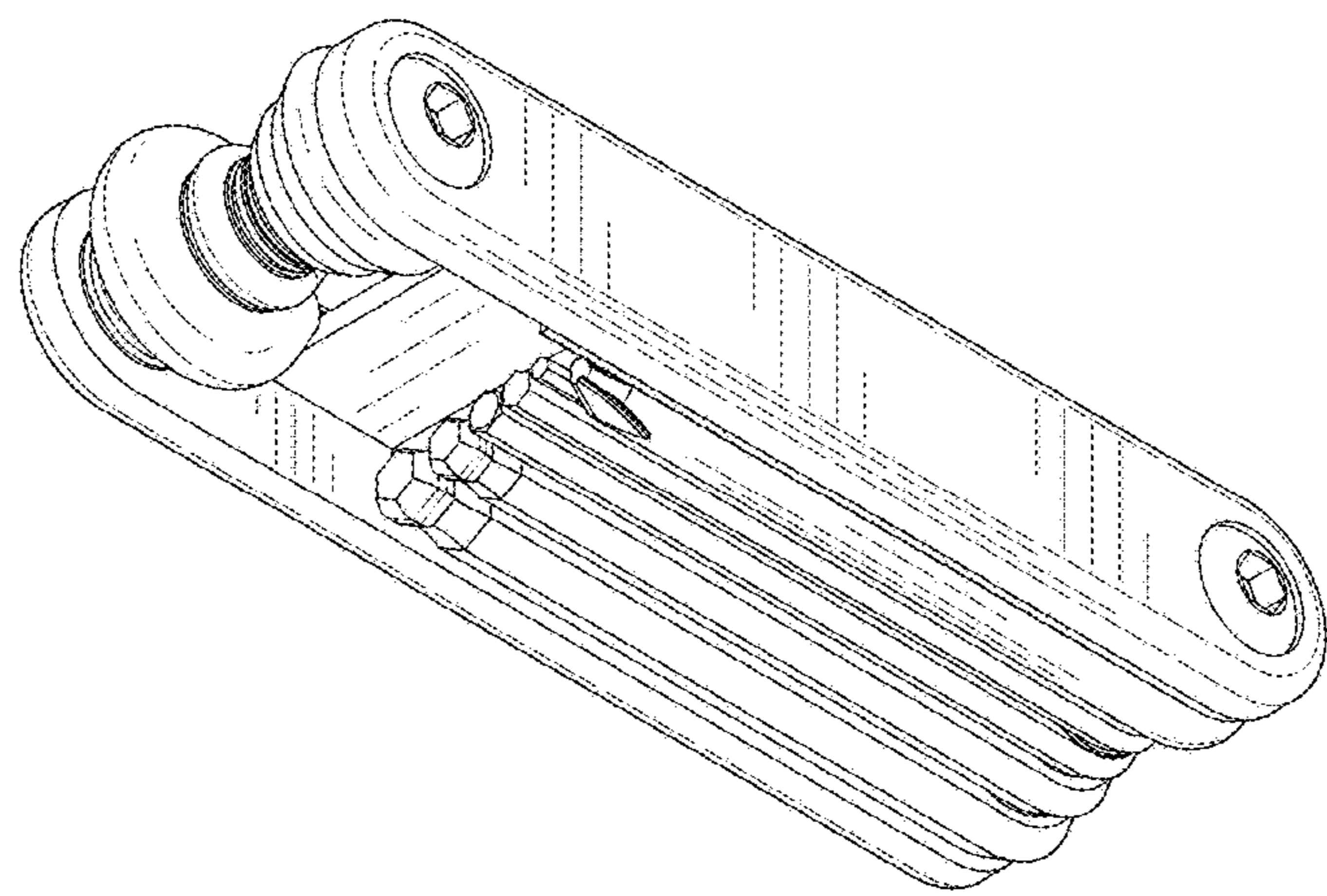


FIG. 10

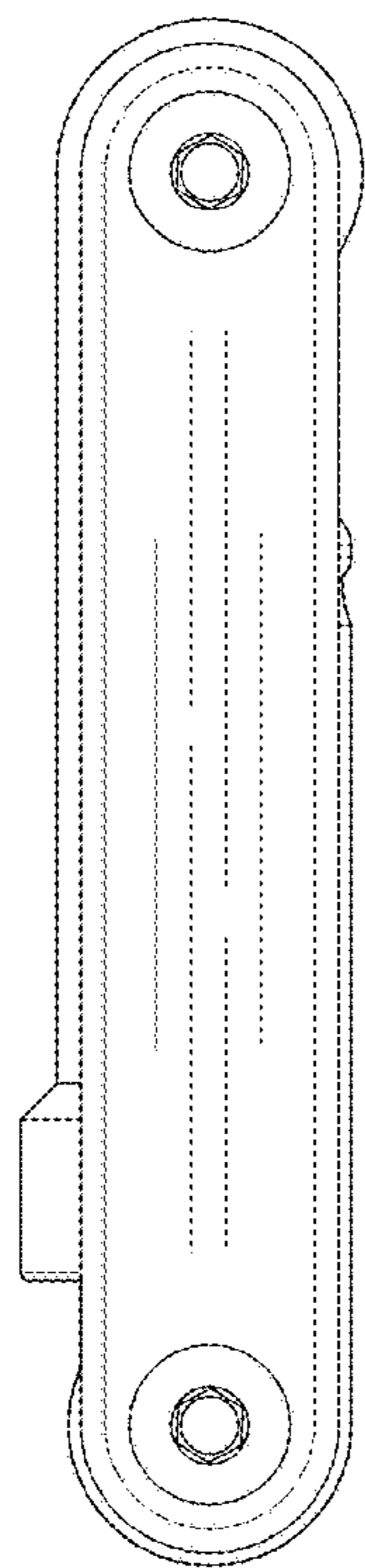


FIG. 11

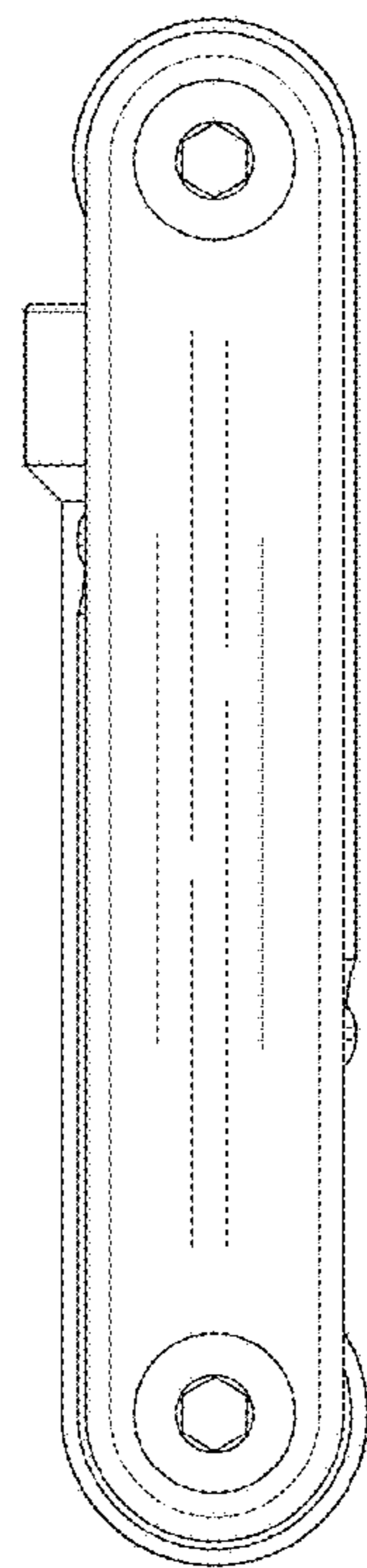


FIG. 12

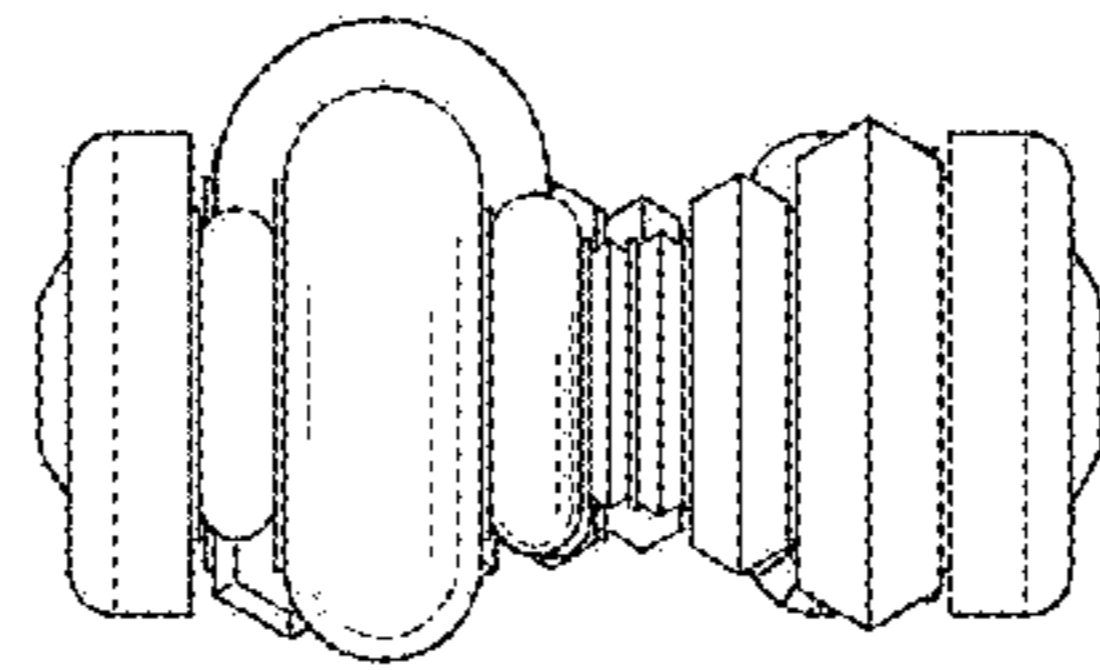


FIG. 13

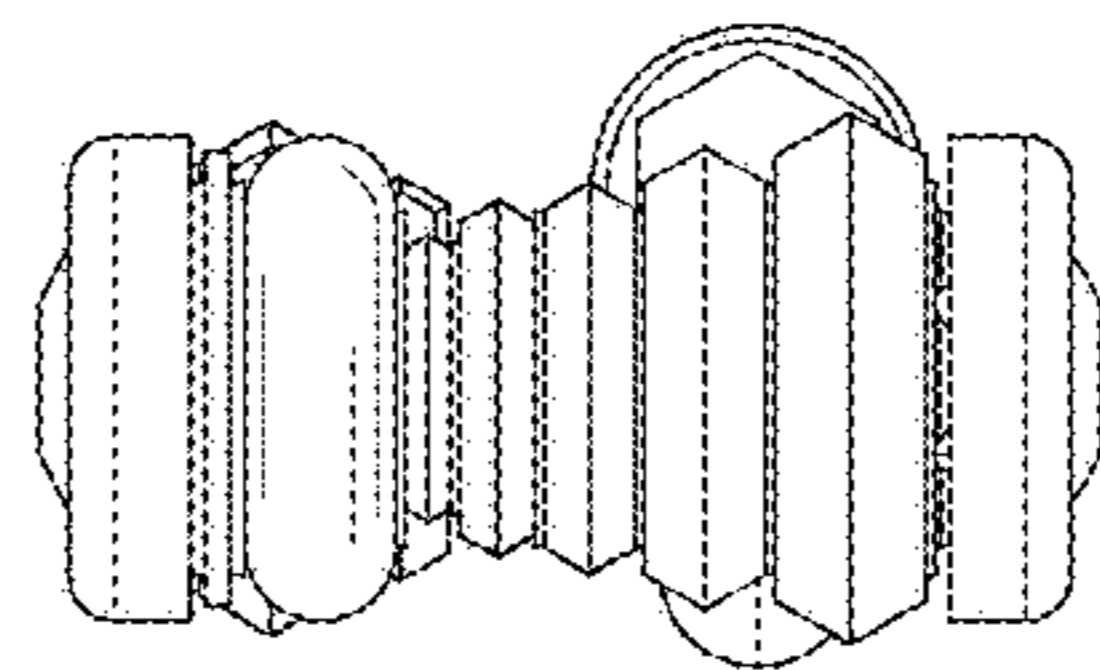


FIG. 14

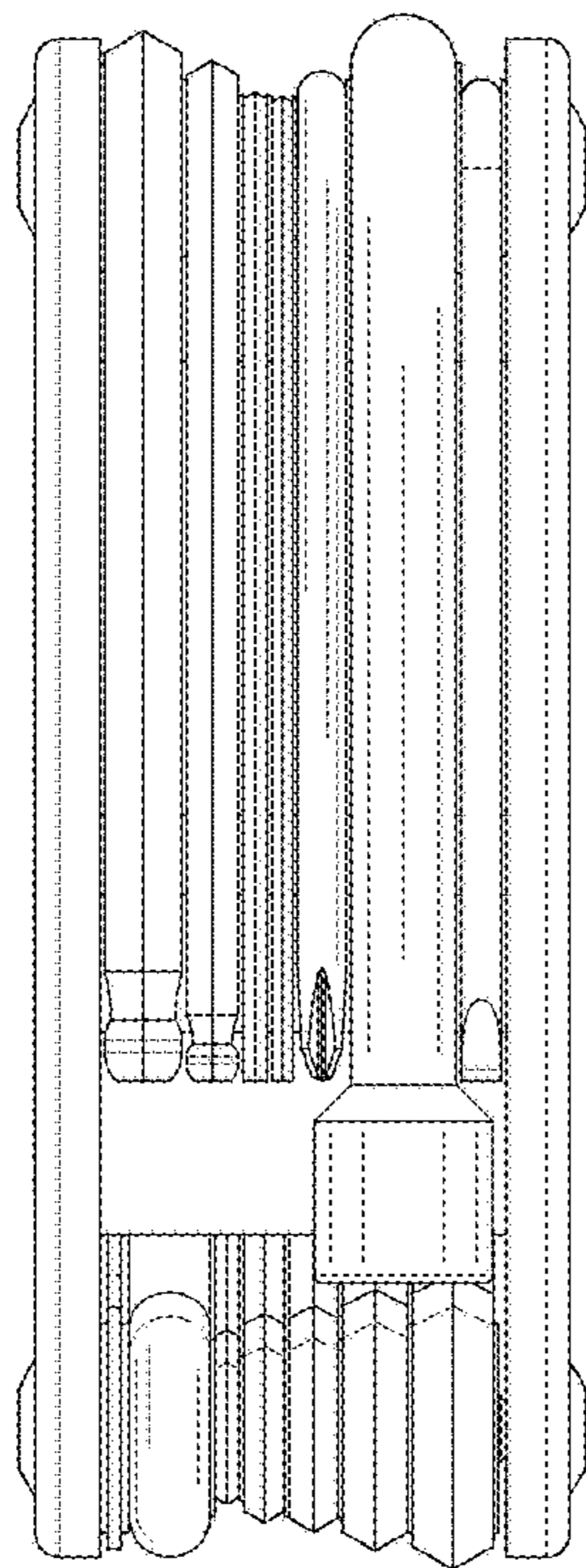


FIG. 15

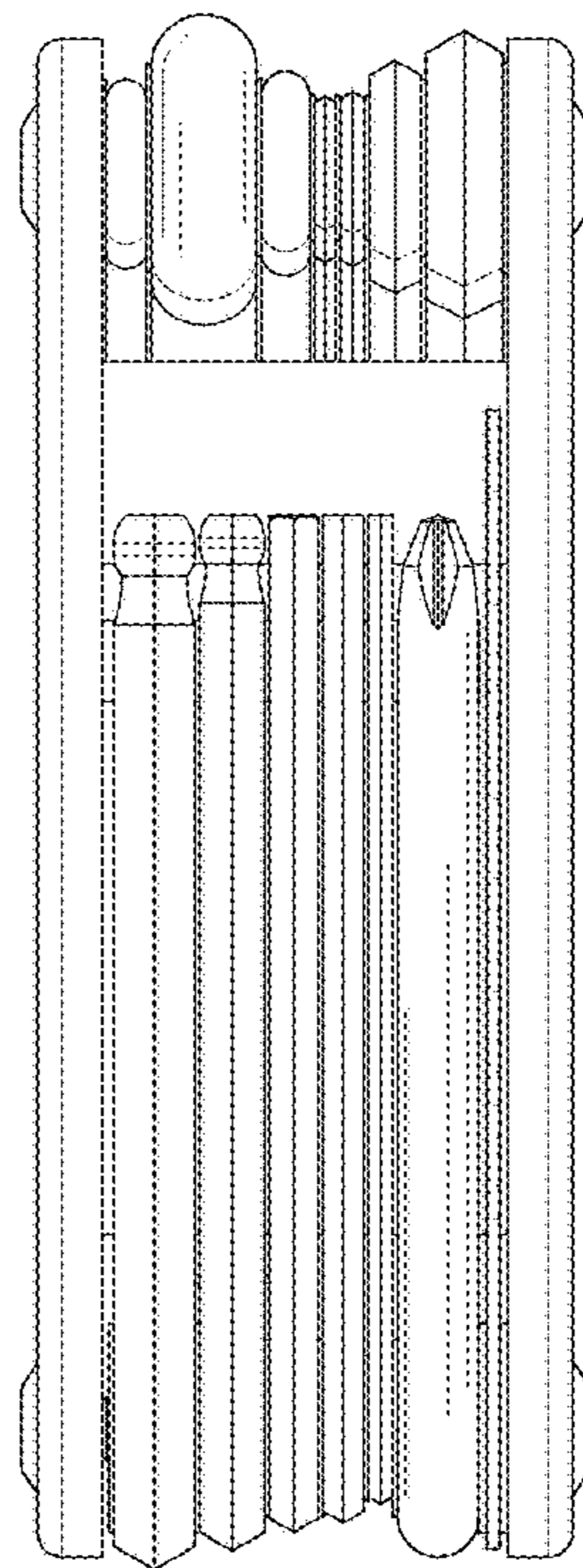


FIG. 16