



US00D866285S

(12) **United States Design Patent**
Lipscomb et al.

(10) **Patent No.:** **US D866,285 S**

(45) **Date of Patent:** **** Nov. 12, 2019**

(54) **HAND SAW**

(71) Applicant: **Fiskars Finland Oy Ab**, Helsinki (FI)

(72) Inventors: **Daniel Lipscomb**, Prairie Du Sac, WI (US); **Emery Weber**, Madison, WI (US); **Rachel Belter**, Madison, WI (US)

(73) Assignee: **FISKARS FINLAND OY AB**, Helsinki (FI)

(**) Term: **15 Years**

(21) Appl. No.: **29/646,198**

(22) Filed: **May 2, 2018**

(51) **LOC (12) Cl.** **08-03**

(52) **U.S. Cl.**
USPC **D8/97**

(58) **Field of Classification Search**
USPC D08/95, 97, 98, 99, 107, 14, 7; D22/118
CPC B26B 1/02; B26B 1/04; B26B 1/10; B27B 21/00; B27B 21/02; B27B 21/04; B23D 51/01; B23D 51/03
See application file for complete search history.

(56) **References Cited**

U.S. PATENT DOCUMENTS

| | | | | |
|---------------|---------|----------|-------|-----------------------|
| D346,937 S * | 5/1994 | Backman | | D8/7 |
| 5,661,908 A * | 9/1997 | Chen | | B23D 51/01 30/125 |
| D414,670 S * | 10/1999 | Linden | | D8/95 |
| D414,989 S * | 10/1999 | Shamoon | | D7/649 |
| D430,785 S * | 9/2000 | Eriksson | | D8/107 |
| 6,125,544 A * | 10/2000 | Eriksson | | A01G 3/08 30/166.3 |
| D436,013 S * | 1/2001 | Eriksson | | D8/95 |
| D468,615 S * | 1/2003 | Kanzawa | | D8/107 |
| D500,240 S * | 12/2004 | Fancelli | | D8/97 |

| | | | | |
|-------------------|---------|----------|-------|----------------------|
| D500,656 S * | 1/2005 | Fancelli | | D8/97 |
| D508,193 S * | 8/2005 | Tran | | D8/95 |
| D509,123 S * | 9/2005 | Tran | | D8/95 |
| D513,956 S * | 1/2006 | Tran | | D8/95 |
| D521,346 S * | 5/2006 | Budrow | | D8/95 |
| 7,093,367 B1 * | 8/2006 | Huang | | B23D 51/01 30/161 |
| D528,892 S * | 9/2006 | Okada | | D8/97 |
| D644,823 S * | 9/2011 | Costello | | D2/916 |
| D705,024 S * | 5/2014 | Masalin | | D8/9 |
| D706,593 S * | 6/2014 | Meiller | | D8/9 |
| 9,427,814 B2 * | 8/2016 | Kohl | | B26B 1/044 |
| D801,147 S * | 10/2017 | Sokka | | D8/97 |
| D838,571 S * | 1/2019 | Sokka | | D8/95 |
| D845,105 S * | 4/2019 | Sokka | | D8/97 |
| 2015/0217439 A1 * | 8/2015 | Miyawaki | | B25G 1/00 30/517 |
| 2016/0067803 A1 * | 3/2016 | Kohl | | B26B 1/044 30/161 |

* cited by examiner

Primary Examiner — Philip S Hyder

(74) *Attorney, Agent, or Firm* — Leason Ellis LLP

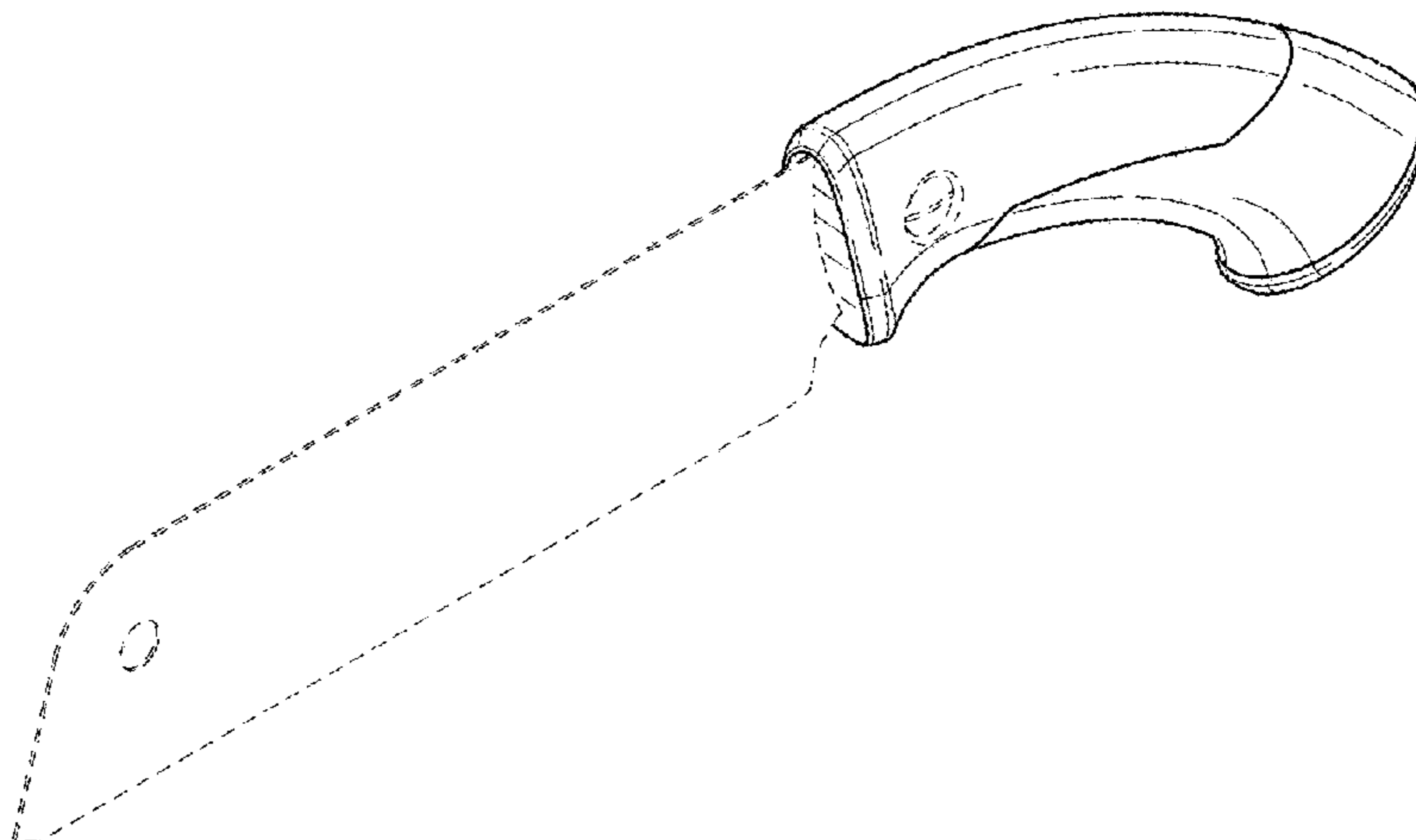
(57) **CLAIM**

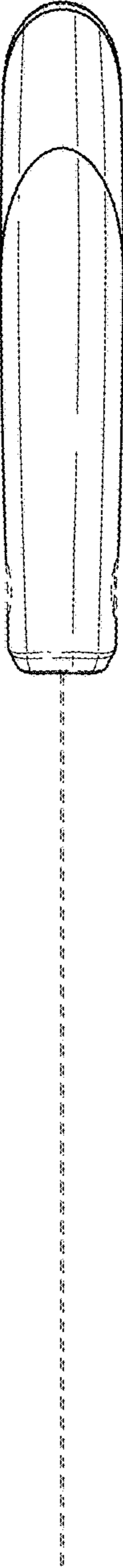
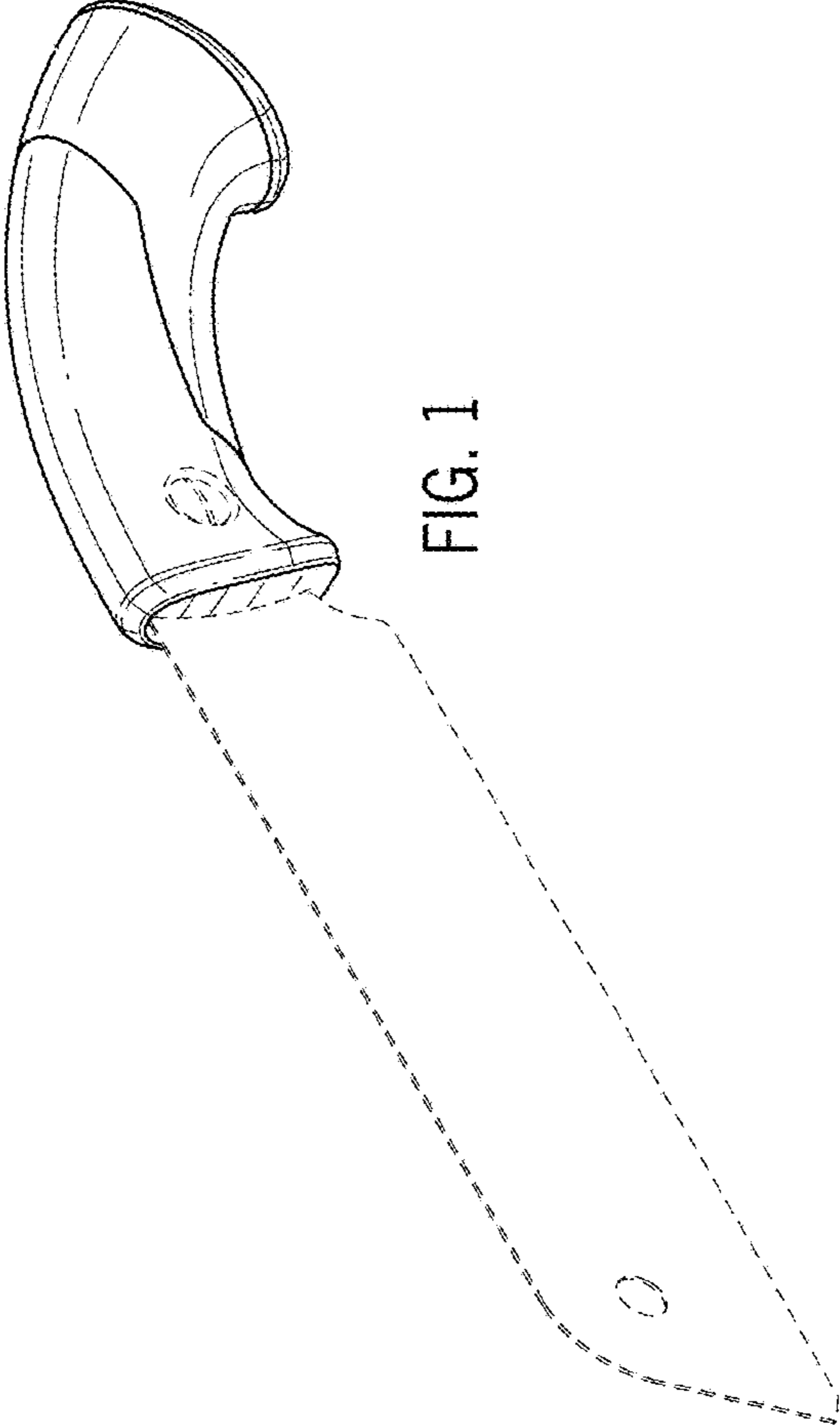
We claim the ornamental design for a hand saw, as shown and described.

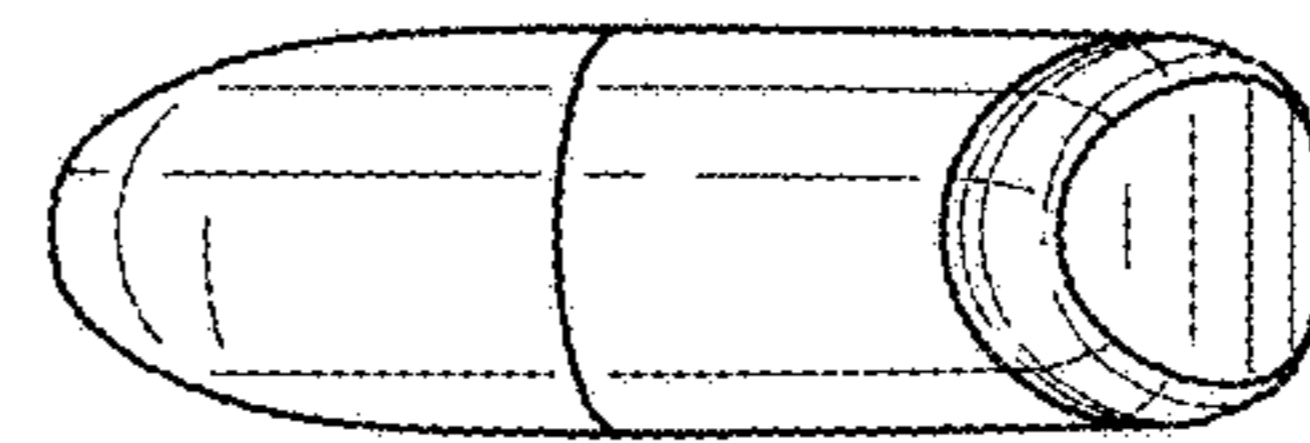
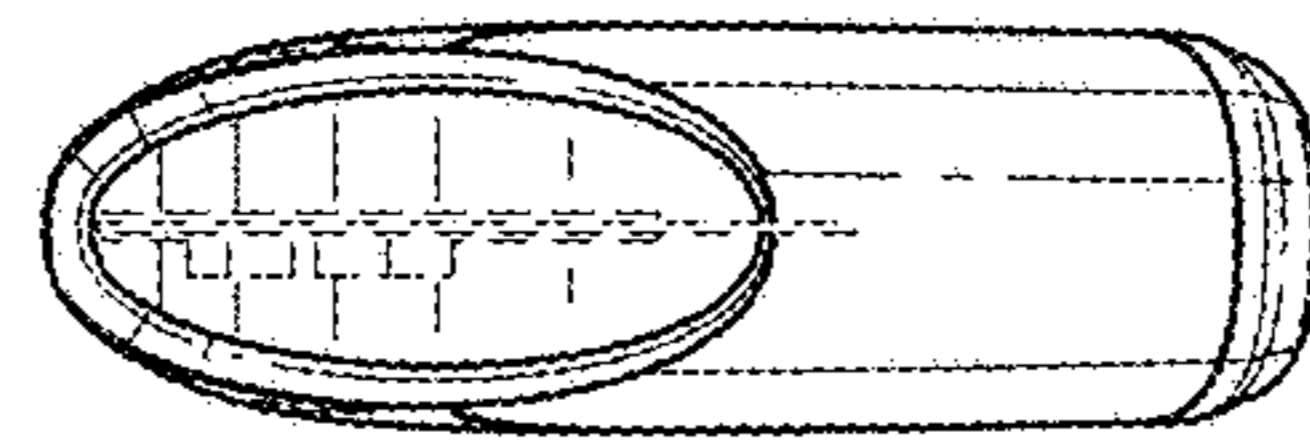
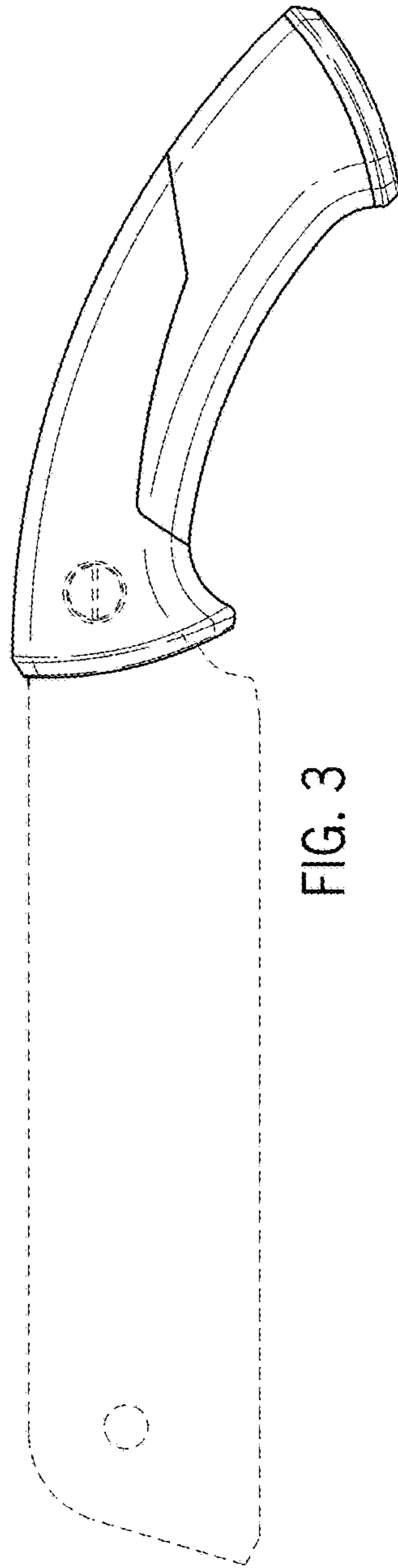
DESCRIPTION

FIG. 1 is a top, front, right perspective view of a hand saw, embodying the new design;
FIG. 2 is a top plan view thereof;
FIG. 3 is a right side elevation view thereof;
FIG. 4 is a front elevation view thereof;
FIG. 5 is a rear elevation view thereof;
FIG. 6 is a left side elevation view thereof; and,
FIG. 7 is a bottom plan view thereof.
The broken lines shown in the drawings illustrate portions of the hand saw that form no part of claimed design.

1 Claim, 3 Drawing Sheets







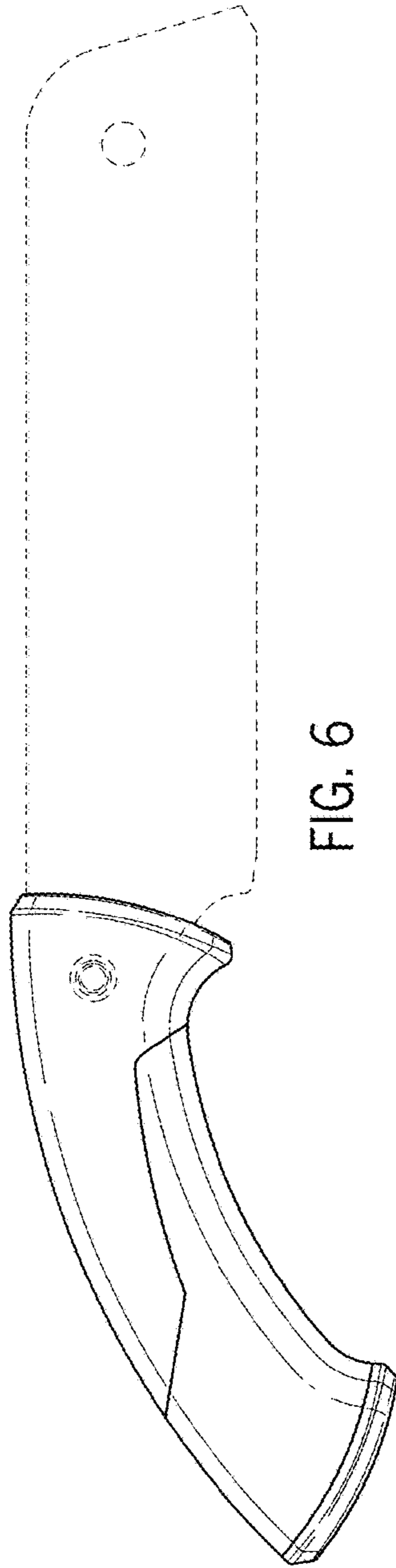


FIG. 6

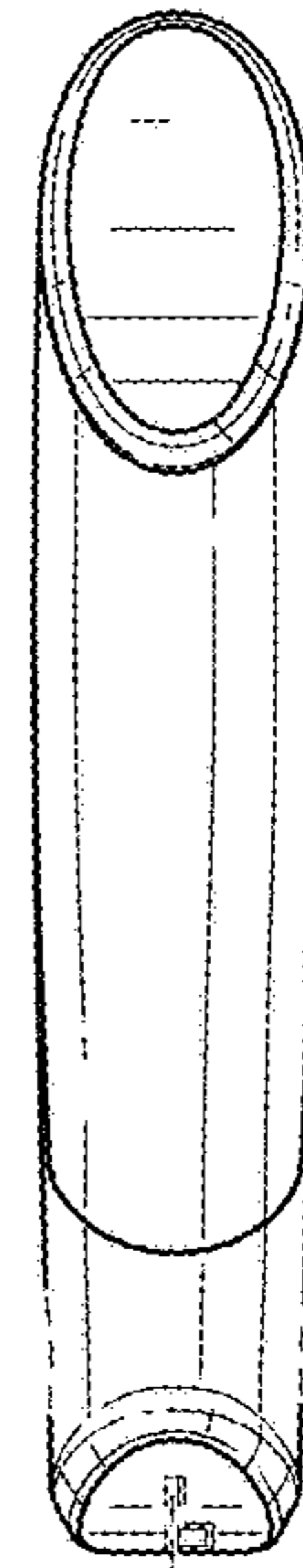


FIG. 7