

US00D866284S

(12) **United States Design Patent**
Constantine et al.

(10) **Patent No.:** **US D866,284 S**

(45) **Date of Patent:** **** Nov. 12, 2019**

(54) **MULTI-TOOL WITH BLADE SHARPENER**

(71) Applicant: **ACME UNITED CORPORATION**,
Fairfield, CT (US)

(72) Inventors: **Richard S. Constantine**, Monroe, CT
(US); **Stanley A. Watson**, Franklin,
MA (US)

(73) Assignee: **ACME UNITED CORPORATION**,
Fairfield, CT (US)

(**) Term: **15 Years**

(21) Appl. No.: **29/624,051**

(22) Filed: **Oct. 30, 2017**

(51) **LOC (12) Cl.** **08-05**

(52) **U.S. Cl.**
USPC **D8/93; D8/105**

(58) **Field of Classification Search**
USPC D8/63, 90, 91, 92, 93, 105
CPC B24B 3/54; B24B 3/36; B24B 3/58; B24B
3/00; B24B 23/08; B24B 15/00; B24B
15/06; B24B 15/063; B24B 15/08; B25F
1/00; B25F 1/02; B25F 1/04; B25F 1/06
See application file for complete search history.

(56) **References Cited**

U.S. PATENT DOCUMENTS

4,259,815 A * 4/1981 Kuban B24D 15/08
451/552
D342,433 S * 12/1993 Sorenson D8/107

D383,048 S * 9/1997 Sorensen D8/105
D412,823 S * 8/1999 Liao D8/105
6,151,999 A * 11/2000 Ekling B25F 1/04
7/138
D632,155 S * 2/2011 Lai D8/107
D646,546 S * 10/2011 Robinson D8/83
D731,278 S * 6/2015 Cavanaugh D8/105
D811,846 S * 3/2018 Johnson D8/93

* cited by examiner

Primary Examiner — Philip S Hyder

(74) *Attorney, Agent, or Firm* — Bond Schoeneck &
King, PLLC; George McGuire

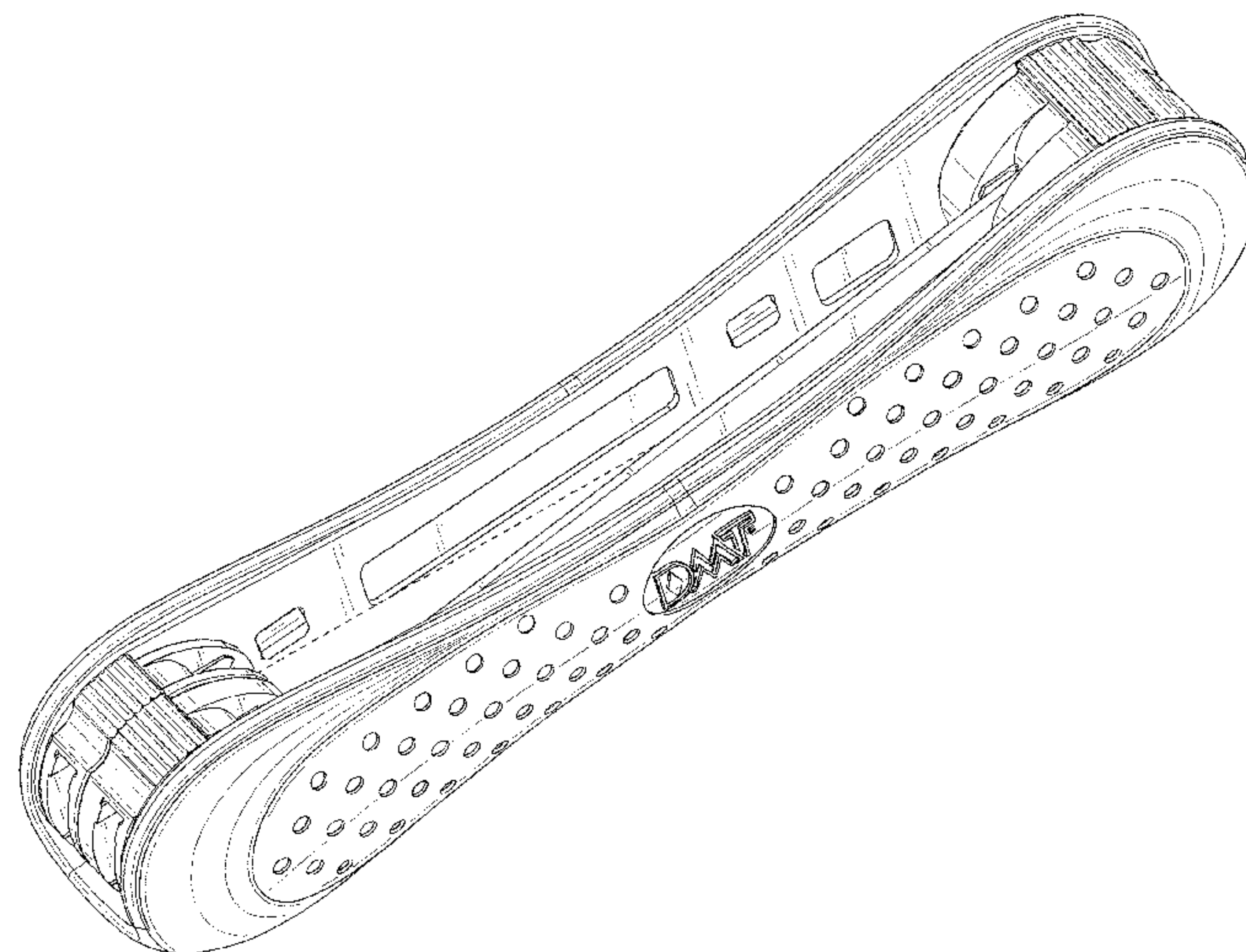
(57) **CLAIM**

The ornamental design for a multi-tool with blade sharpener,
as shown and described.

DESCRIPTION

FIG. 1 is a first perspective view of a new and ornamental
design for a lawn and garden multi-tool with a blade
sharpener;
FIG. 2 is a second perspective view thereof;
FIG. 3 is a first side elevation view thereof;
FIG. 4 is a second side elevation view thereof;
FIG. 5 is a front elevation view thereof;
FIG. 6 is a rear elevation view thereof;
FIG. 7 is top plan view thereof; and,
FIG. 8 is a bottom plan view thereof.
The broken lines depict portions of the multi-tool with blade
sharpener in which the design is embodied that are not
considered part of the claimed design.

1 Claim, 5 Drawing Sheets



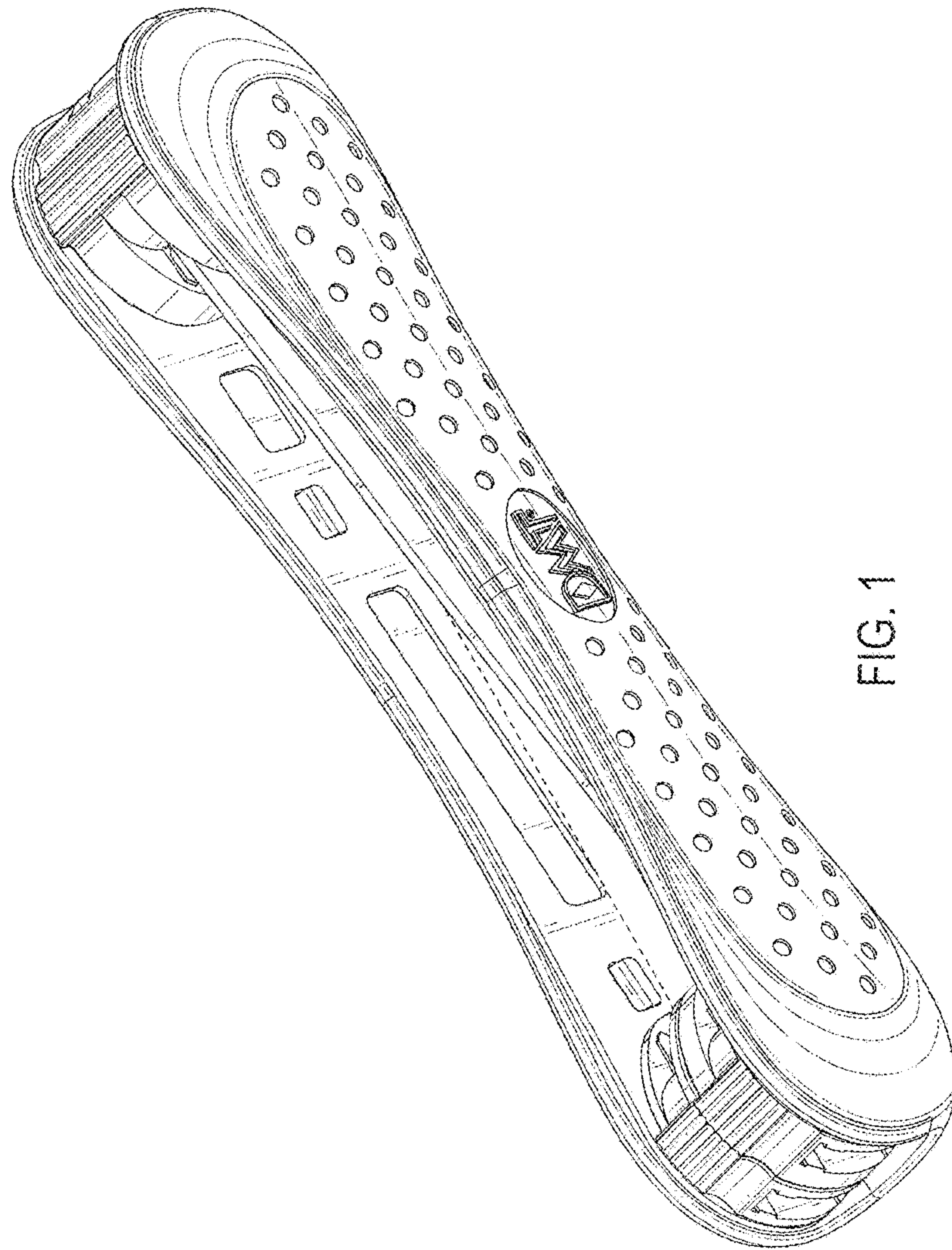


FIG. 1

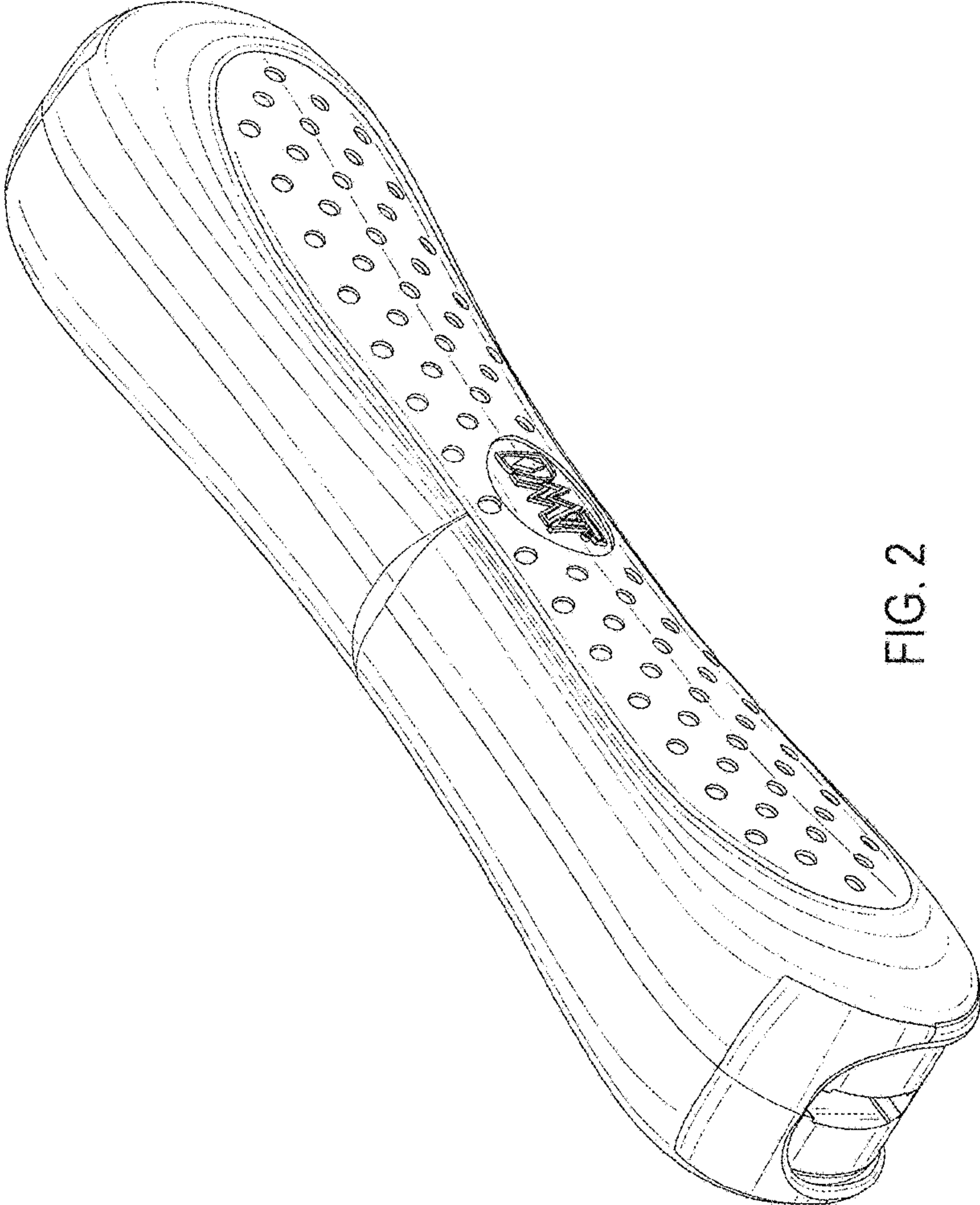


FIG. 2

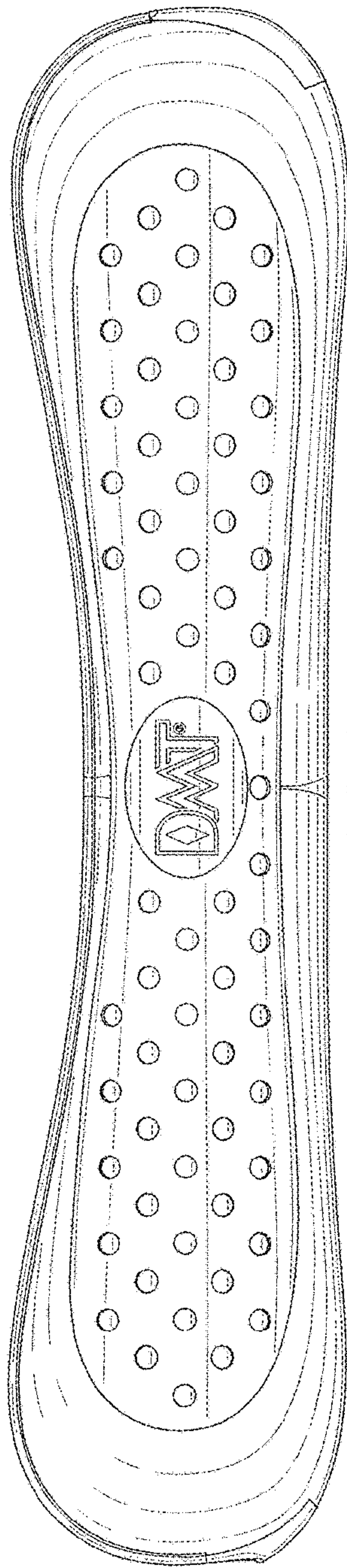


FIG. 3

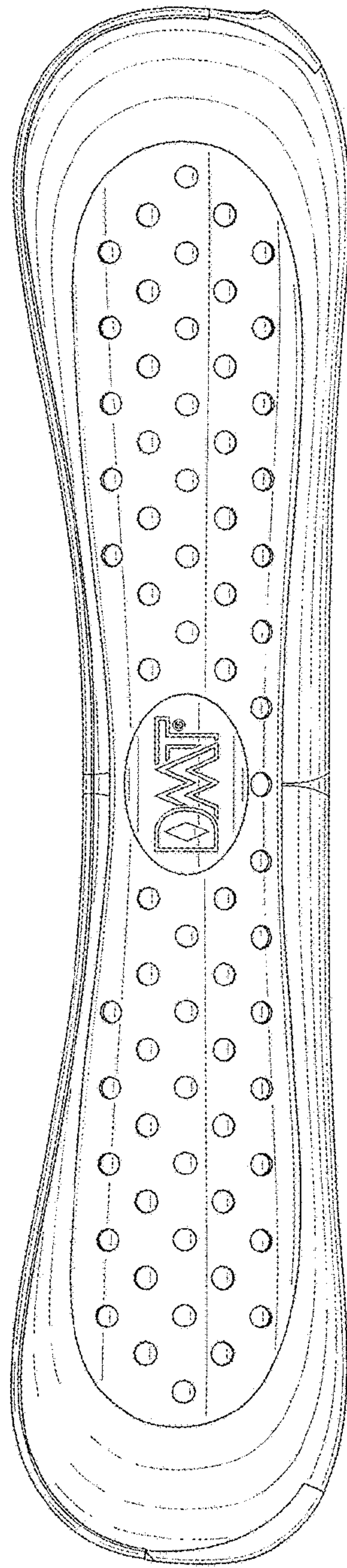


FIG. 4

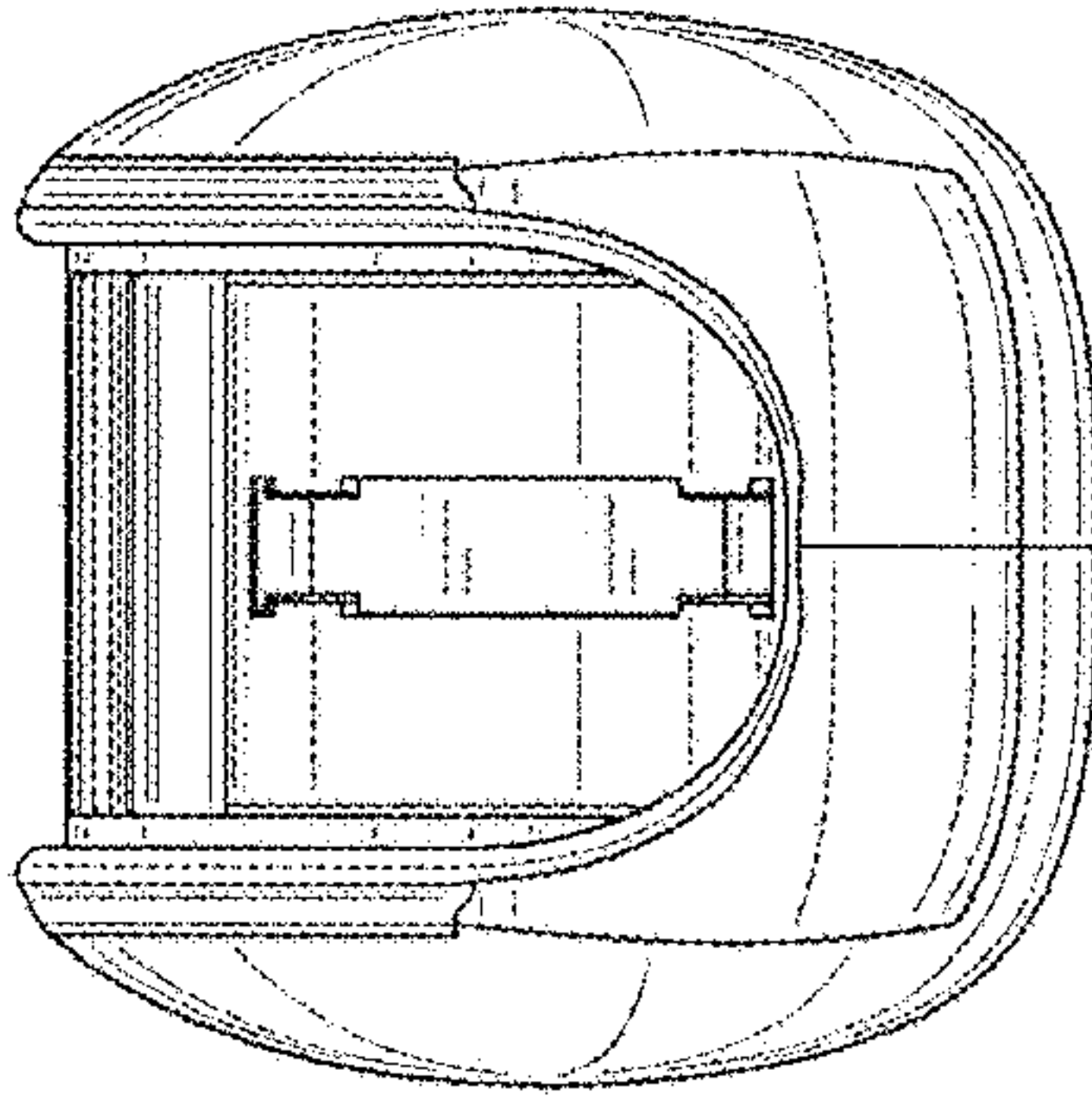


FIG. 6

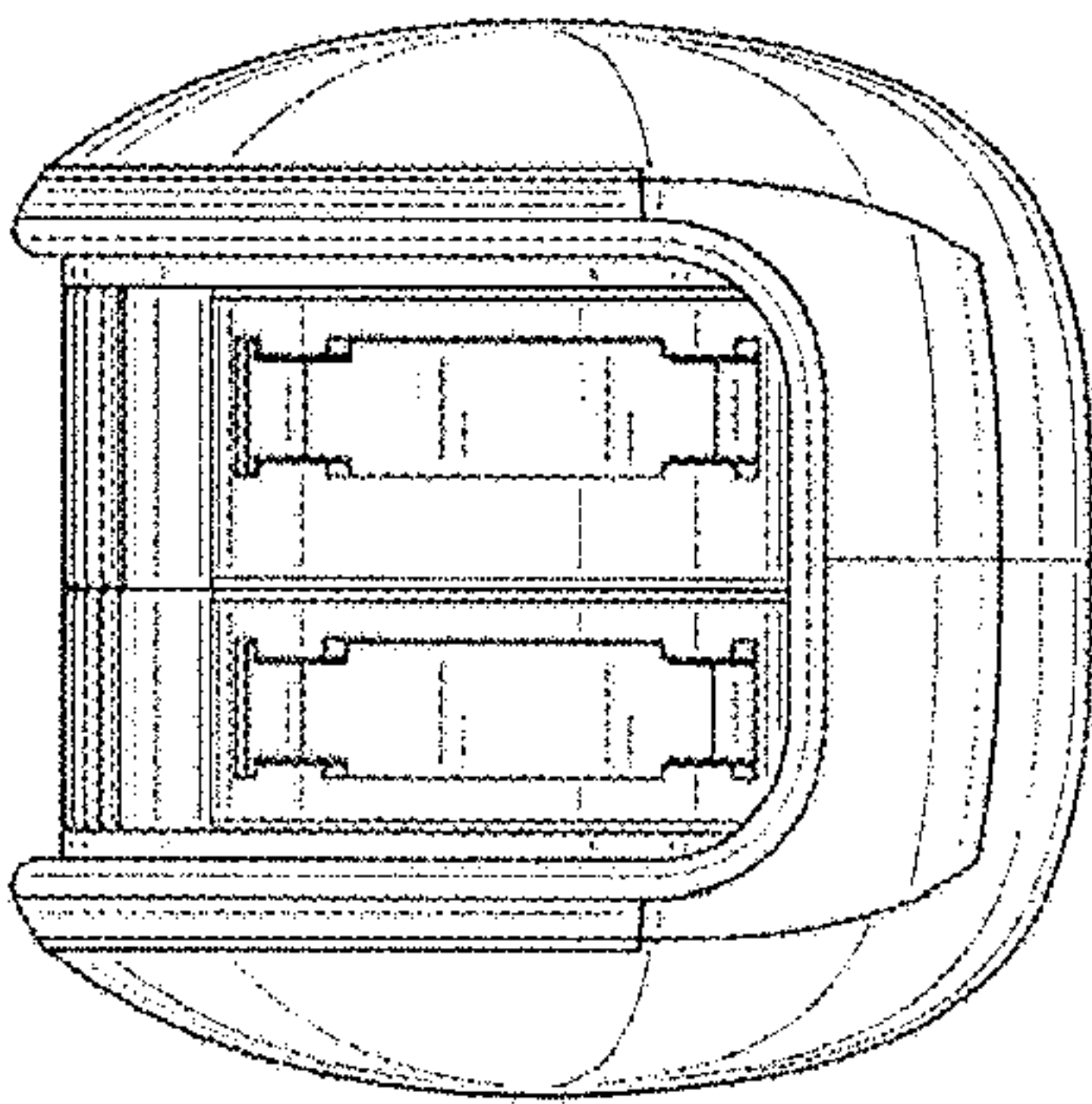


FIG. 5

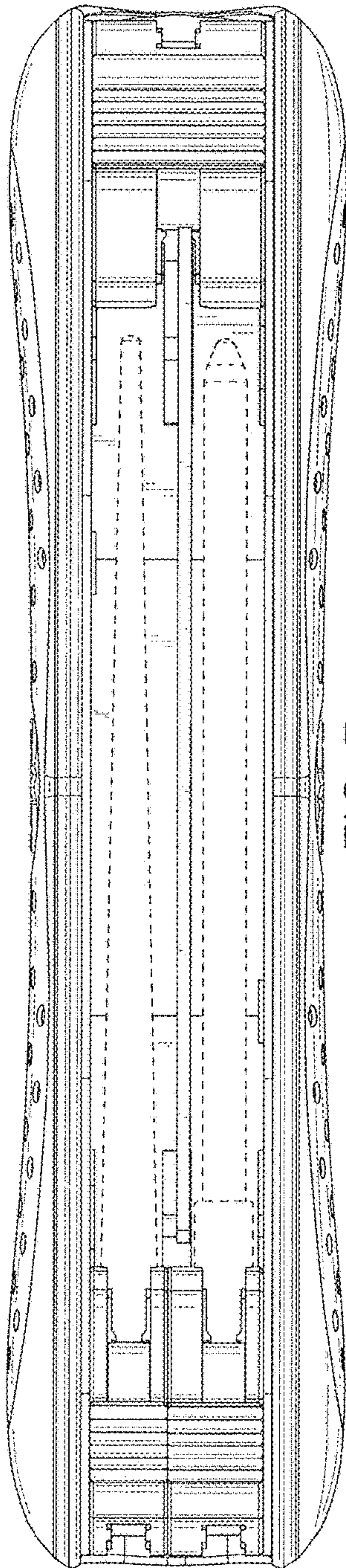


FIG. 7

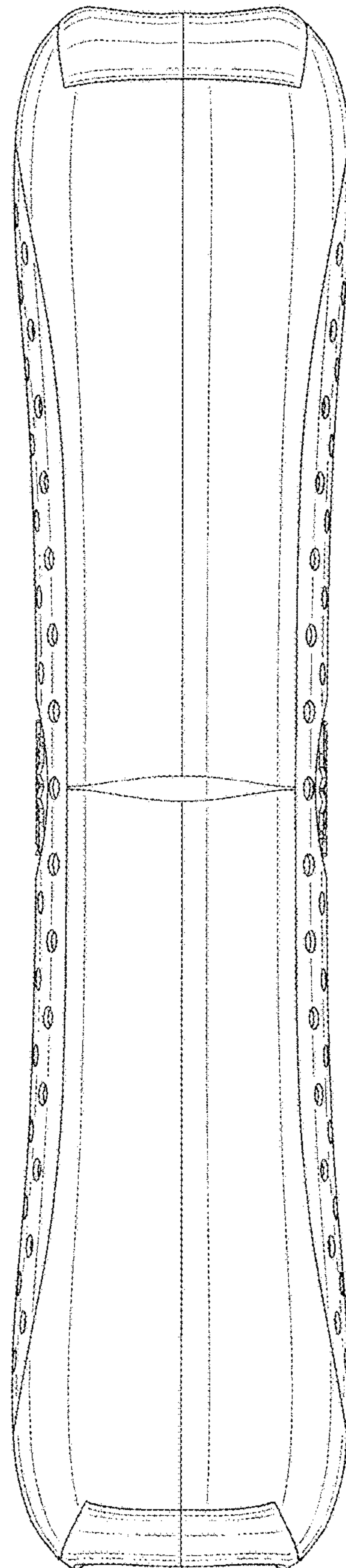


FIG. 8