

US00D866280S

(12) **United States Design Patent** (10) **Patent No.:** **US D866,280 S**
Nakamura et al. (45) **Date of Patent:** **** Nov. 12, 2019**

- (54) **PORTABLE ELECTRIC DRILL**
- (71) Applicant: **MAKITA CORPORATION**, Anjo-shi, Aichi (JP)
- (72) Inventors: **Kento Nakamura**, Anjo (JP); **Hidenori Nagasaka**, Anjo (JP); **Tomohiko Imae**, Anjo (JP)
- (73) Assignee: **MAKITA CORPORATION**, Anjo-Shi (JP)
- (**) Term: **15 Years**
- (21) Appl. No.: **29/646,729**
- (22) Filed: **May 7, 2018**

- (30) **Foreign Application Priority Data**
- Nov. 8, 2017 (JP) 2017-024880
- (51) **LOC (12) Cl.** **08-01**
- (52) **U.S. Cl.**
USPC **D8/69**
- (58) **Field of Classification Search**
USPC D8/14.1, 61-70
CPC B25D 16/00; B25D 17/00; B25F 5/02
See application file for complete search history.

- (56) **References Cited**
- U.S. PATENT DOCUMENTS
- D197,142 S * 12/1963 Godfrey et al. D8/67
D414,093 S * 9/1999 Zurwelle D8/61
6,764,256 B2 * 7/2004 Miura B25F 5/02
16/430
7,121,773 B2 * 10/2006 Mikiya B23Q 11/04
408/5
7,137,761 B2 * 11/2006 Hara B25F 5/021
408/16
D588,891 S * 3/2009 Hayakawa D8/61
D600,087 S * 9/2009 DiPasquale D8/69

- D600,088 S * 9/2009 DiPasquale D8/69
D618,530 S * 6/2010 Stirm D8/69
D641,604 S * 7/2011 Stirm D8/67
D687,280 S * 8/2013 Koalick D8/69
D689,754 S * 9/2013 Hayakawa D8/61
D730,136 S * 5/2015 Lichtensteiger D8/61
D805,364 S * 12/2017 Gu D8/69

(Continued)

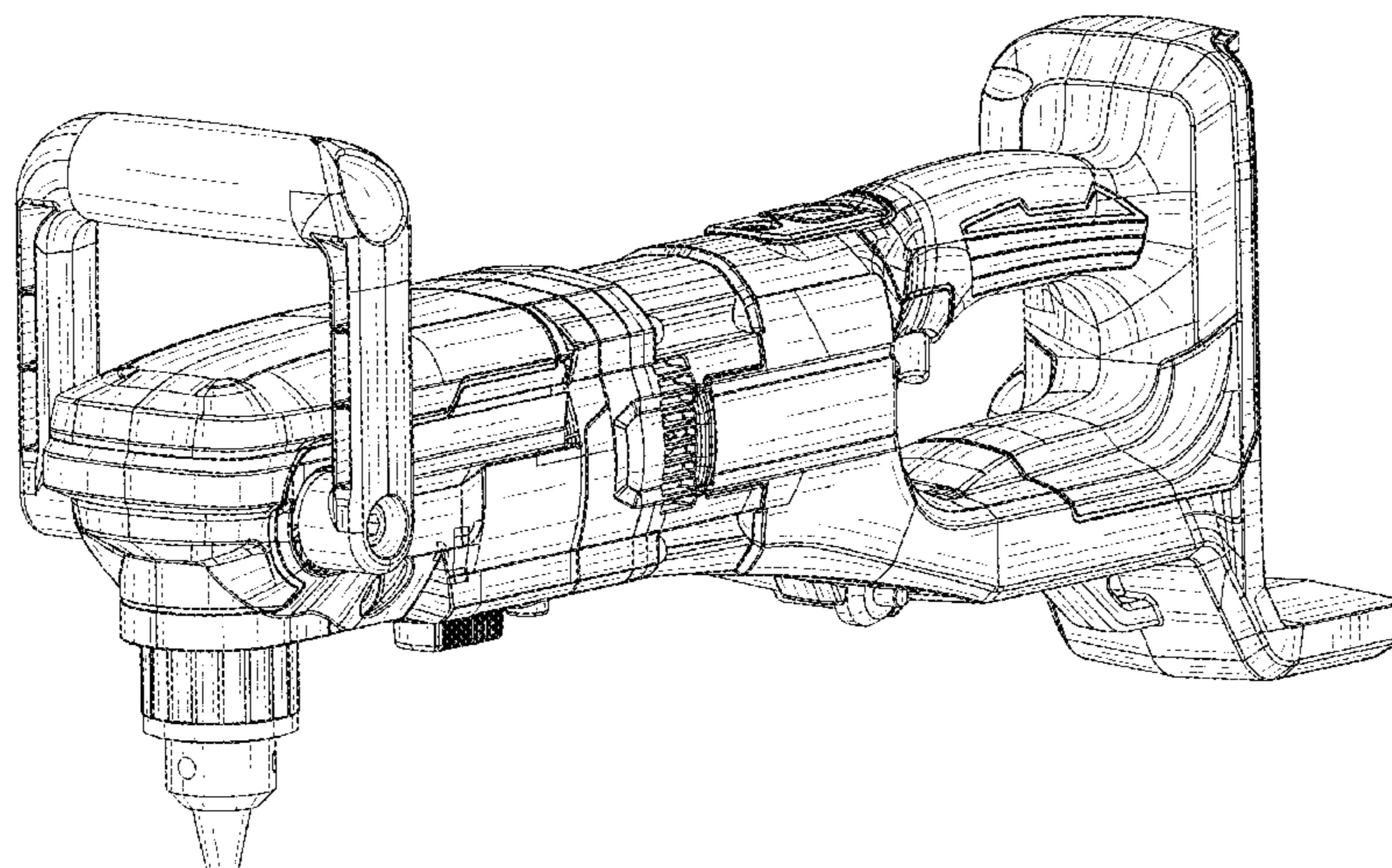
Primary Examiner — Darlington Ly
(74) *Attorney, Agent, or Firm* — Global IP Counselors, LLP

(57) **CLAIM**
The ornamental design for a portable electric drill, as shown and described.

DESCRIPTION

FIG. 1 is a front perspective view of a portable electric drill in accordance with our new design;
FIG. 2 is a rear perspective view of the portable electric drill in accordance with our new design;
FIG. 3 is a front elevational view of the portable electric drill in accordance with our new design;
FIG. 4 is a rear elevational view of the portable electric drill in accordance with our new design;
FIG. 5 is a top plan view of the portable electric drill in accordance with our new design;
FIG. 6 is a bottom plan view of the portable electric drill in accordance with our new design;
FIG. 7 is a right side elevational view of the portable electric drill in accordance with our new design;
FIG. 8 is a left side elevational view of the portable electric drill in accordance with our new design; and,
FIG. 9 is a front perspective view of the portable electric drill in accordance with our new design showing when rechargeable batteries and a side handle are attached to the portable electric drill.
The broken line showing of environment structures in the drawings forms no part of the claimed design.

1 Claim, 9 Drawing Sheets



(56)

References Cited

U.S. PATENT DOCUMENTS

2010/0108337 A1* 5/2010 Norona B23B 45/008
173/1

* cited by examiner

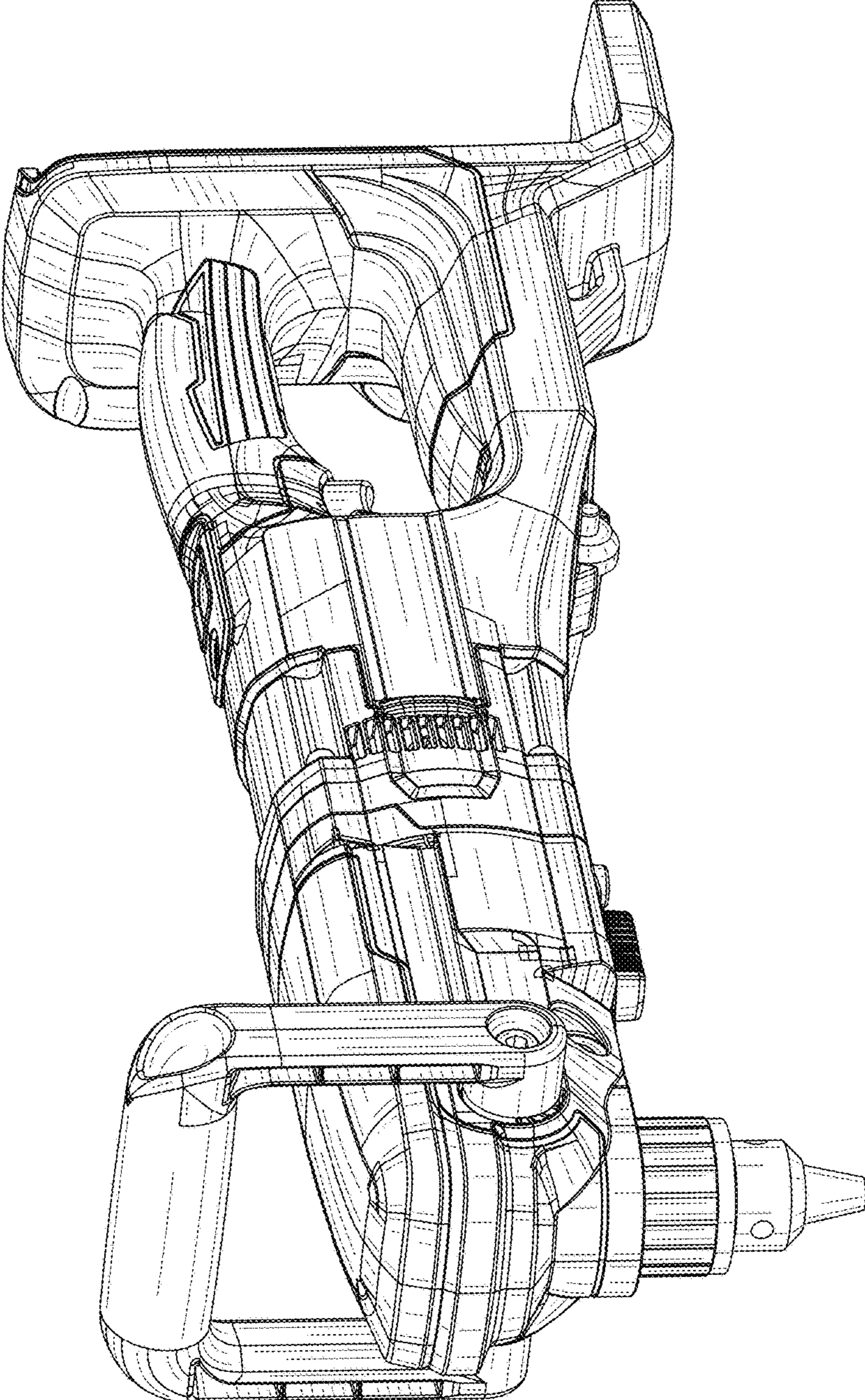


FIG. 1

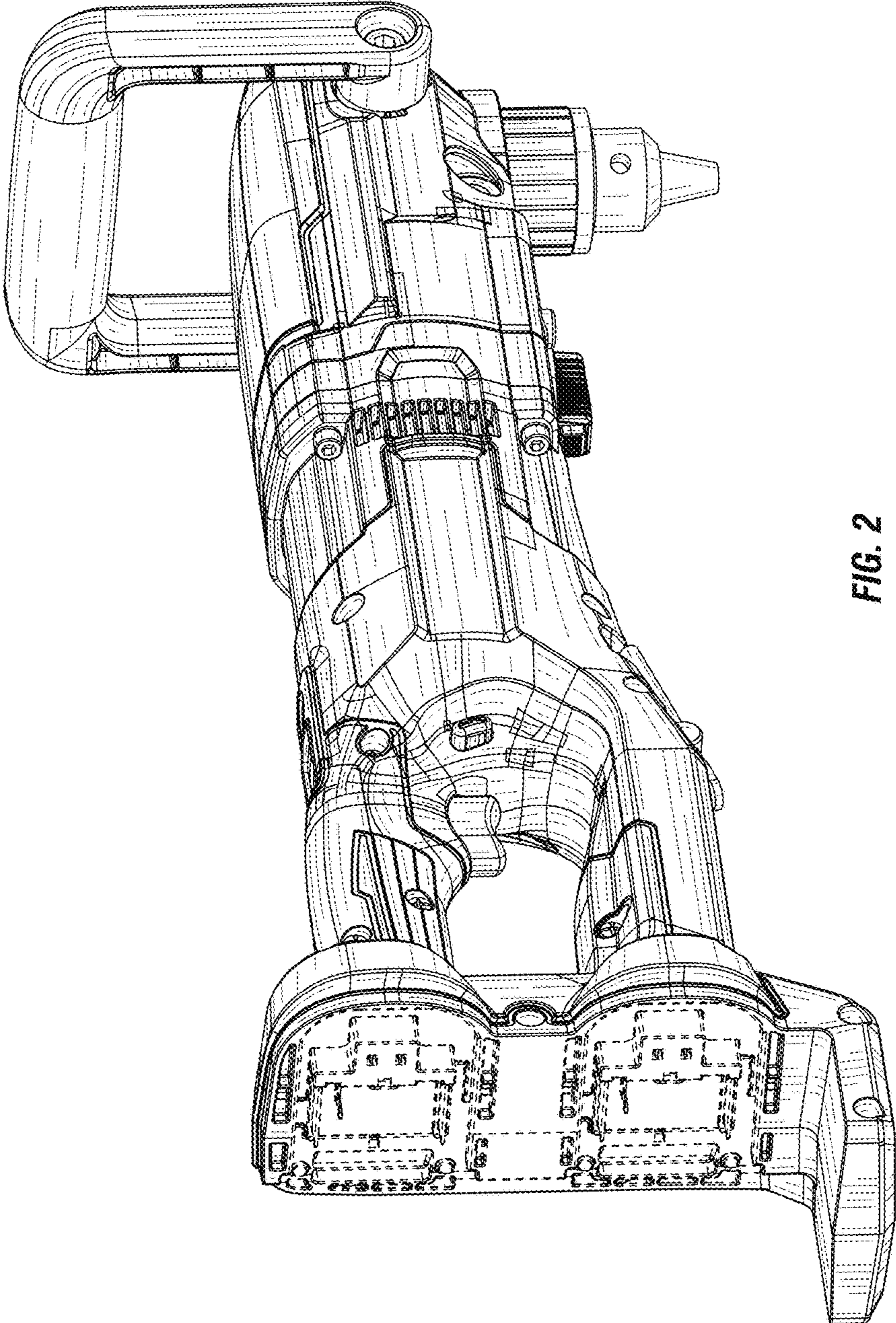


FIG. 2

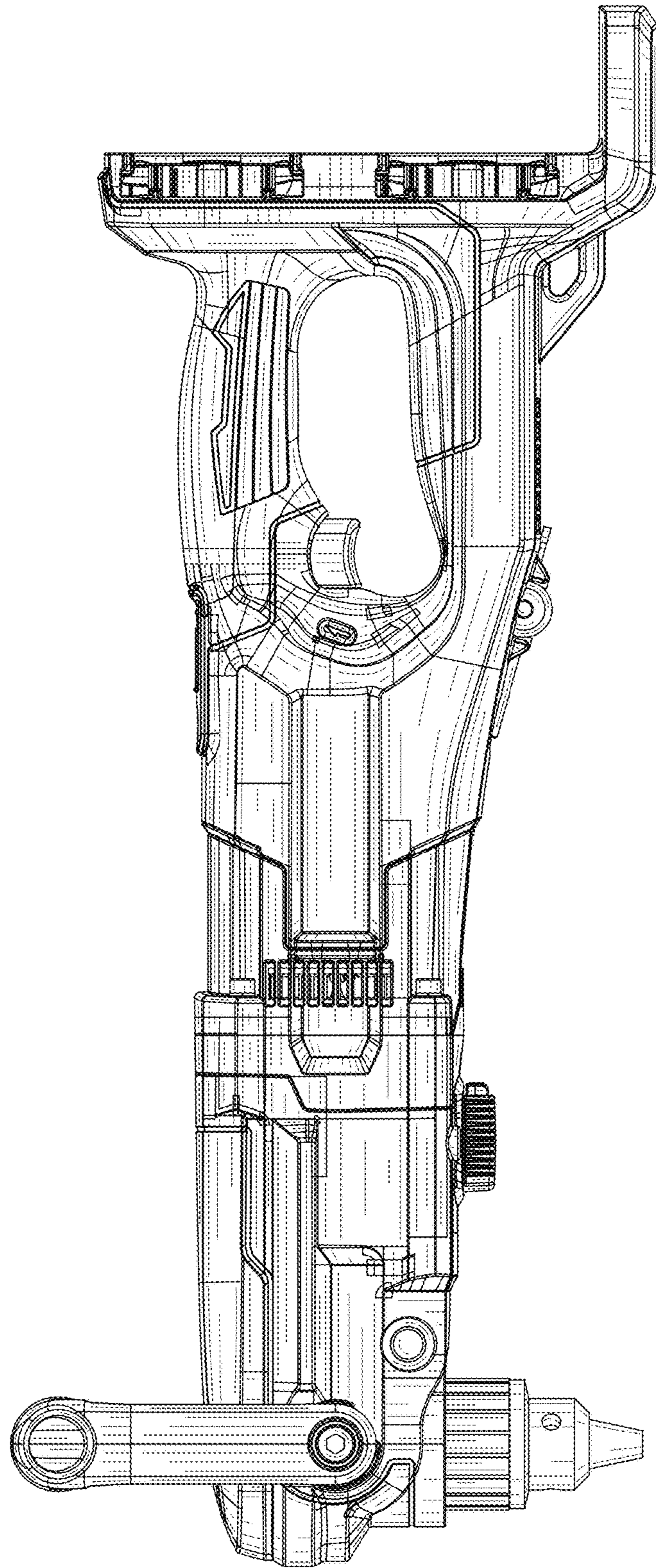


FIG. 3

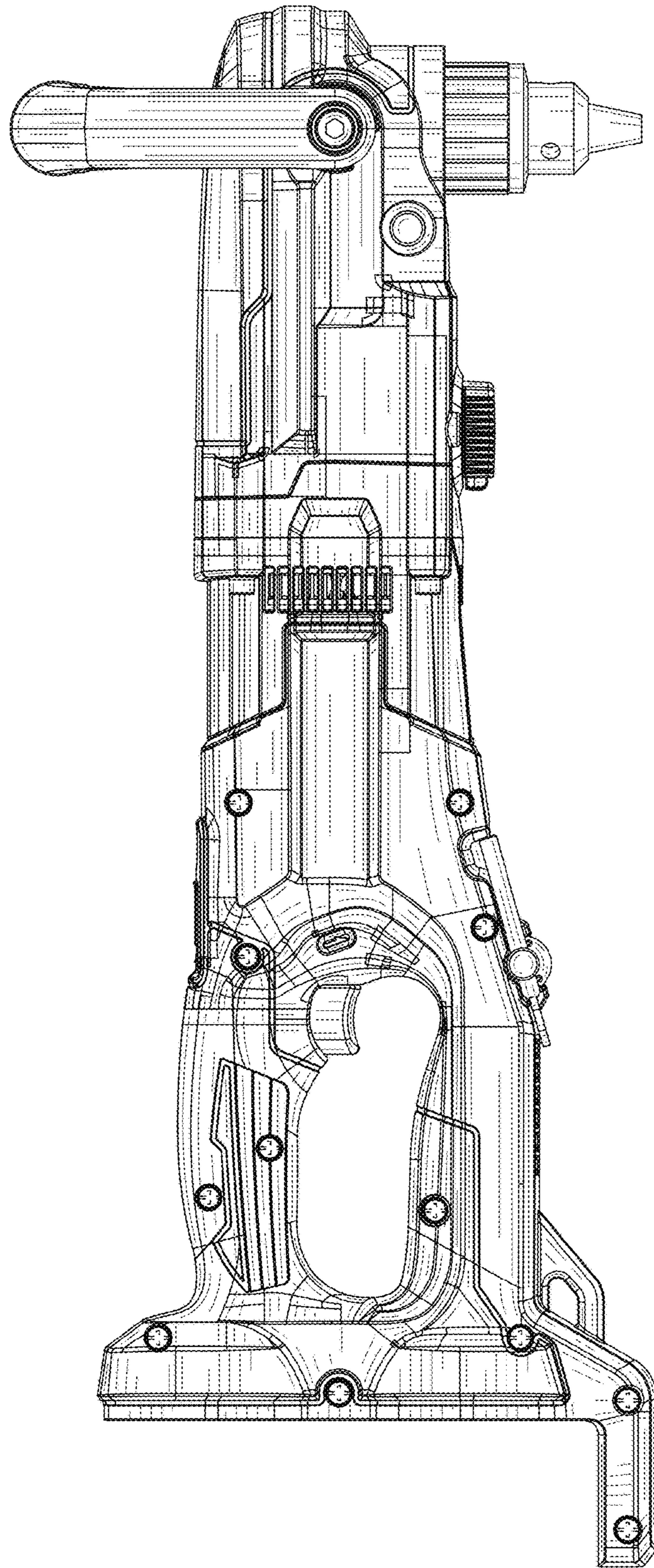


FIG. 4

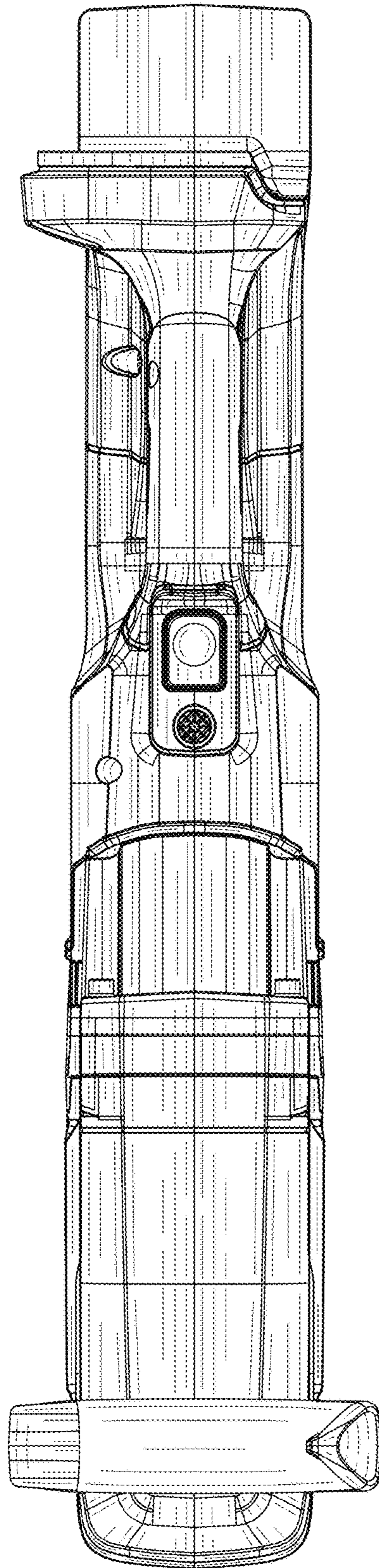


FIG. 5

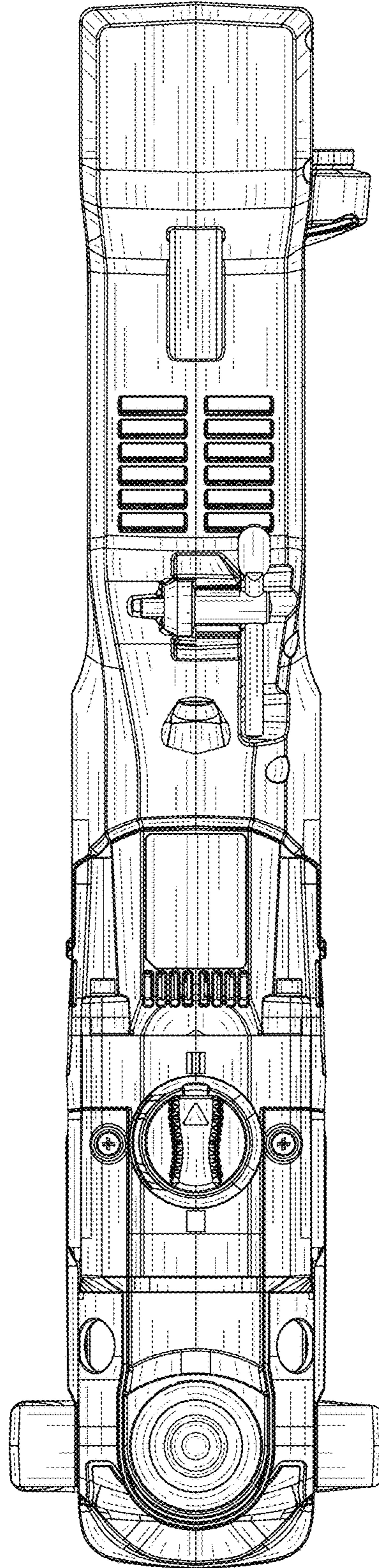


FIG. 6

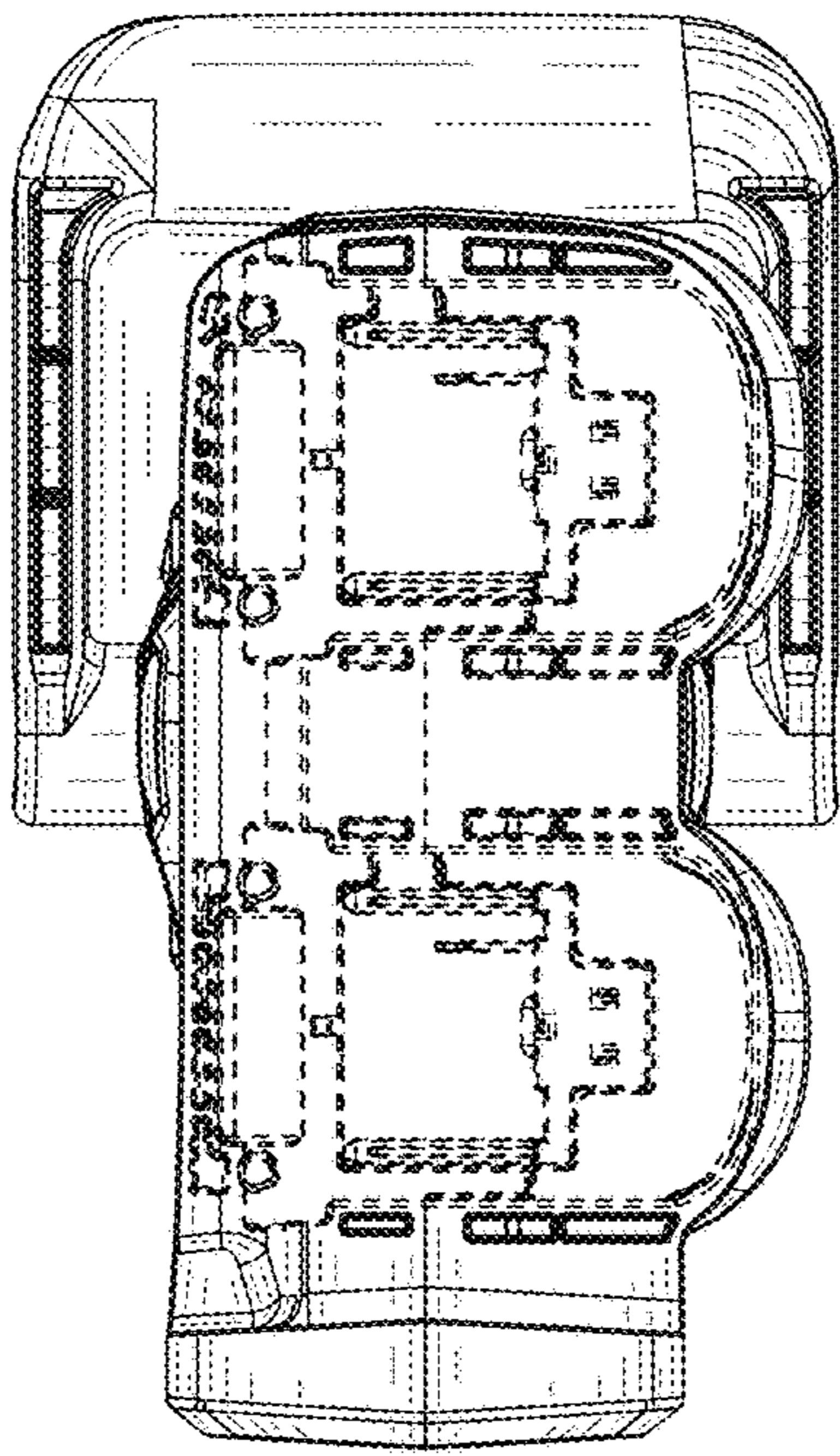


FIG. 7

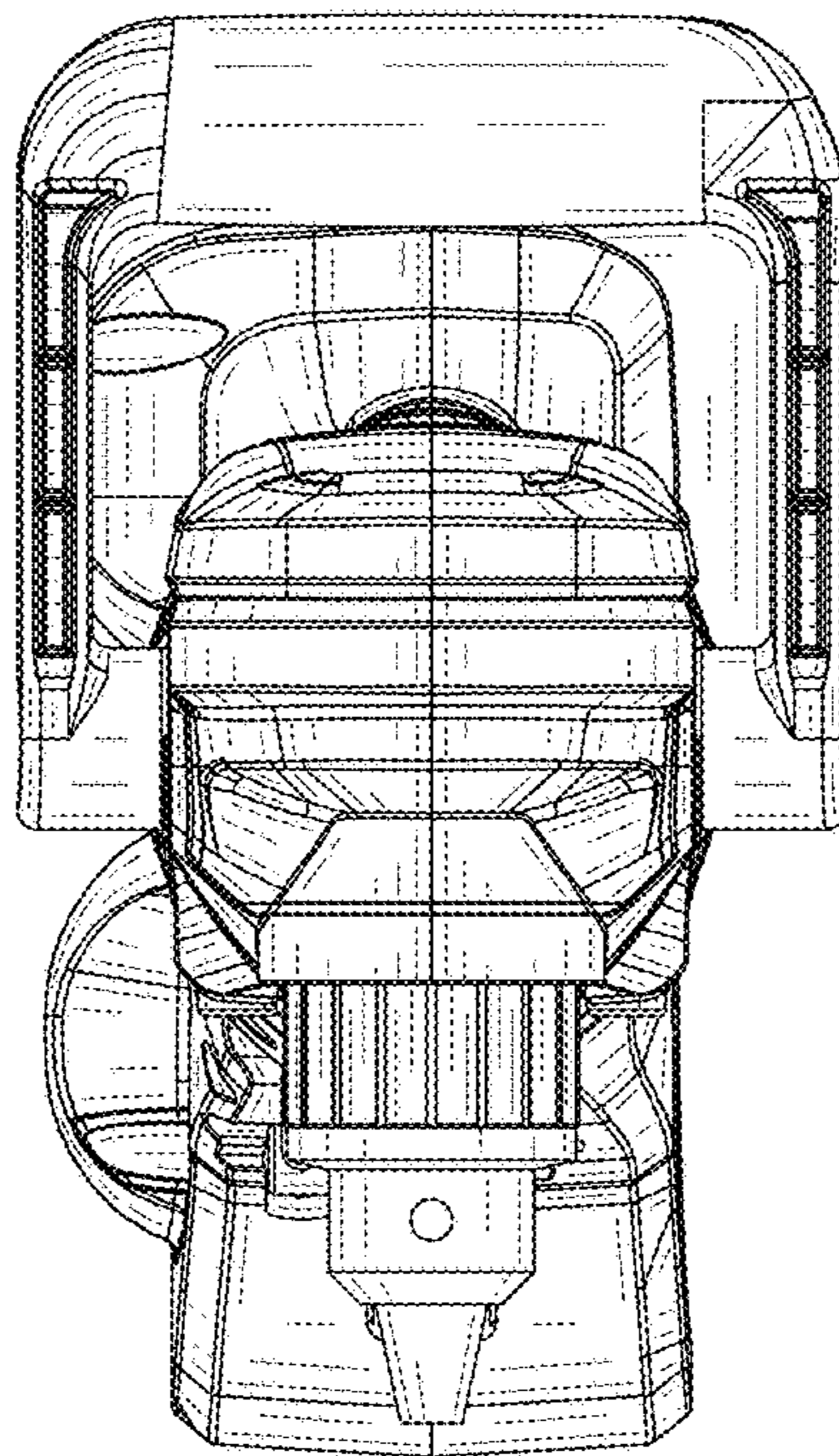


FIG. 8

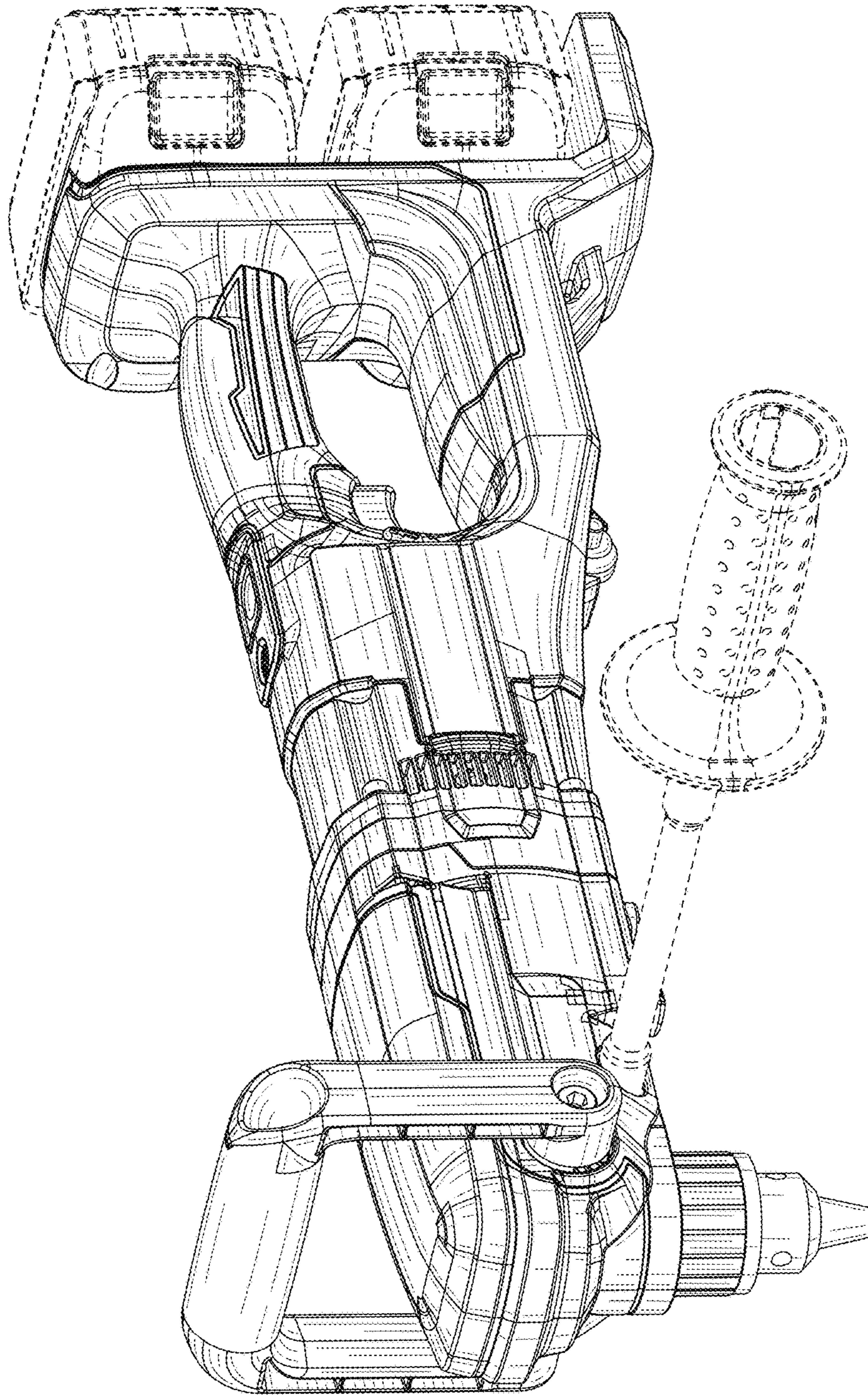


FIG. 9