



US00D866279S

(12) **United States Design Patent** (10) **Patent No.:** **US D866,279 S**
Watson et al. (45) **Date of Patent:** **** Nov. 12, 2019**

(54) **BLADE SHARPENER**

(71) Applicant: **ACME UNITED CORPORATION**,
Fairfield, CT (US)

(72) Inventors: **Stanley A. Watson**, Franklin, MA (US);
Richard S. Constantine, Monroe, CT
(US)

(73) Assignee: **ACME UNITED CORPORATION**,
Fairfield, CT (US)

(**) Term: **15 Years**

(21) Appl. No.: **29/624,069**

(22) Filed: **Oct. 30, 2017**

(51) **LOC (12) Cl.** **08-05**

(52) **U.S. Cl.**

USPC **D8/63**

(58) **Field of Classification Search**

USPC D8/63, 90, 91, 92, 93

CPC B24B 3/54; B24B 3/36; B24B 3/58; B24B
3/00; B24B 23/08; B24B 15/00; B24B
15/06; B24B 15/063; B24B 15/08

See application file for complete search history.

(56) **References Cited**

U.S. PATENT DOCUMENTS

D491,783 S * 6/2004 Ikegaki D8/63
D575,124 S * 8/2008 Smith D8/63

D614,009 S * 4/2010 Deglon D8/63
D620,332 S * 7/2010 Elek D8/63
D652,284 S * 1/2012 Elek D8/93
D669,534 S * 10/2012 Nakashima D19/113
D680,399 S * 4/2013 Elek D8/63
D754,514 S * 4/2016 Huber D8/93
D760,573 S * 7/2016 Wang D8/91
D813,004 S * 3/2018 Huber D8/93

* cited by examiner

Primary Examiner — Philip S Hyder

(74) *Attorney, Agent, or Firm* — Bond Schoeneck &
King, PLLC; George McGuire

(57) **CLAIM**

The ornamental design for a blade sharpener, as shown and
described.

DESCRIPTION

FIG. 1 is a perspective view of a new and ornamental design
for a blade sharpener;

FIG. 2 is a front elevation view thereof;

FIG. 3 is a rear elevation view thereof;

FIG. 4 is a first side elevation view thereof;

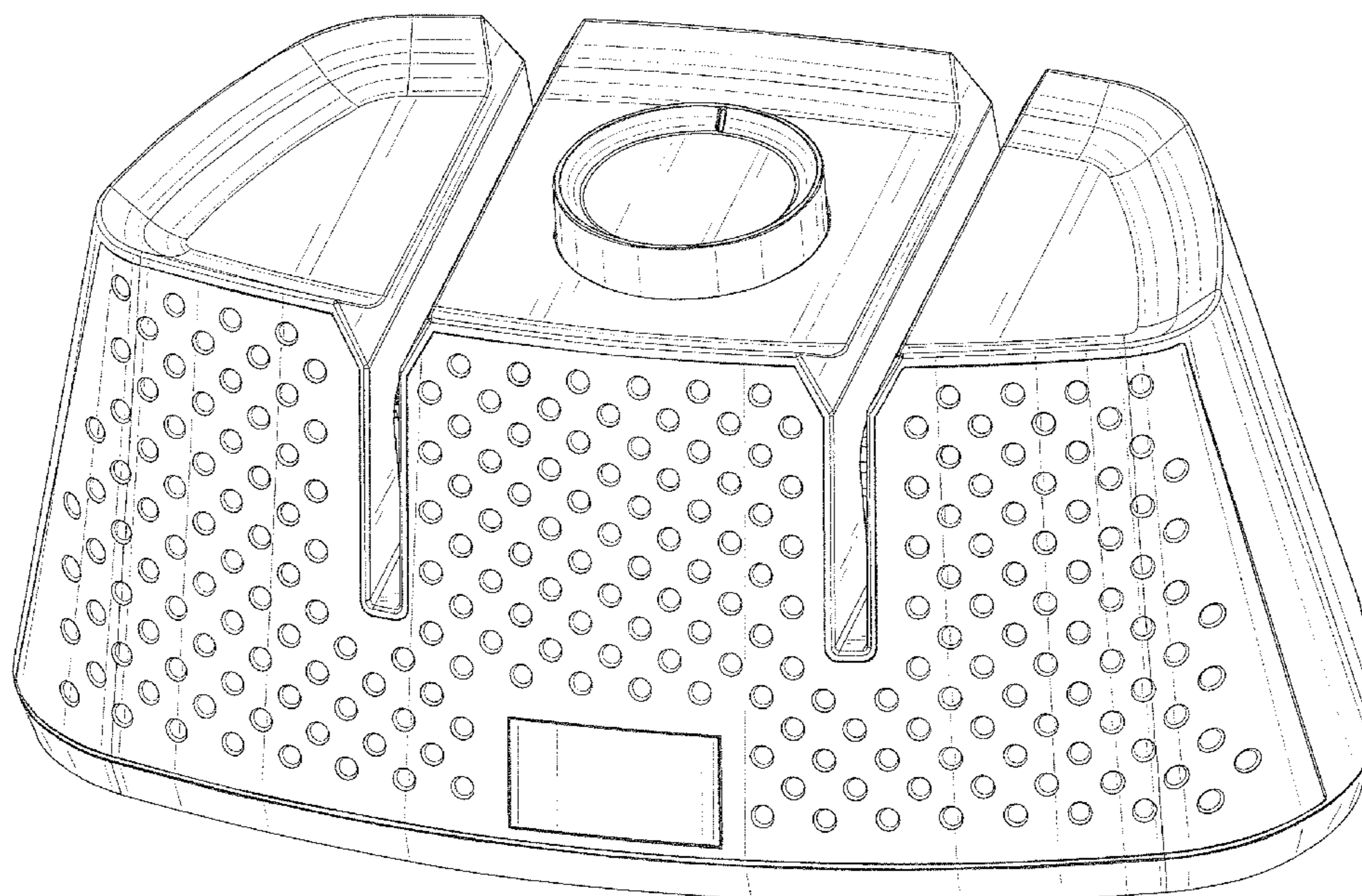
FIG. 5 is a second side elevation view thereof;

FIG. 6 is a top plan view thereof; and,

FIG. 7 is a bottom plan view thereof.

The broken lines depict portions of the blade sharpener in
which the design is embodied that are not considered part of
the claimed design.

1 Claim, 7 Drawing Sheets



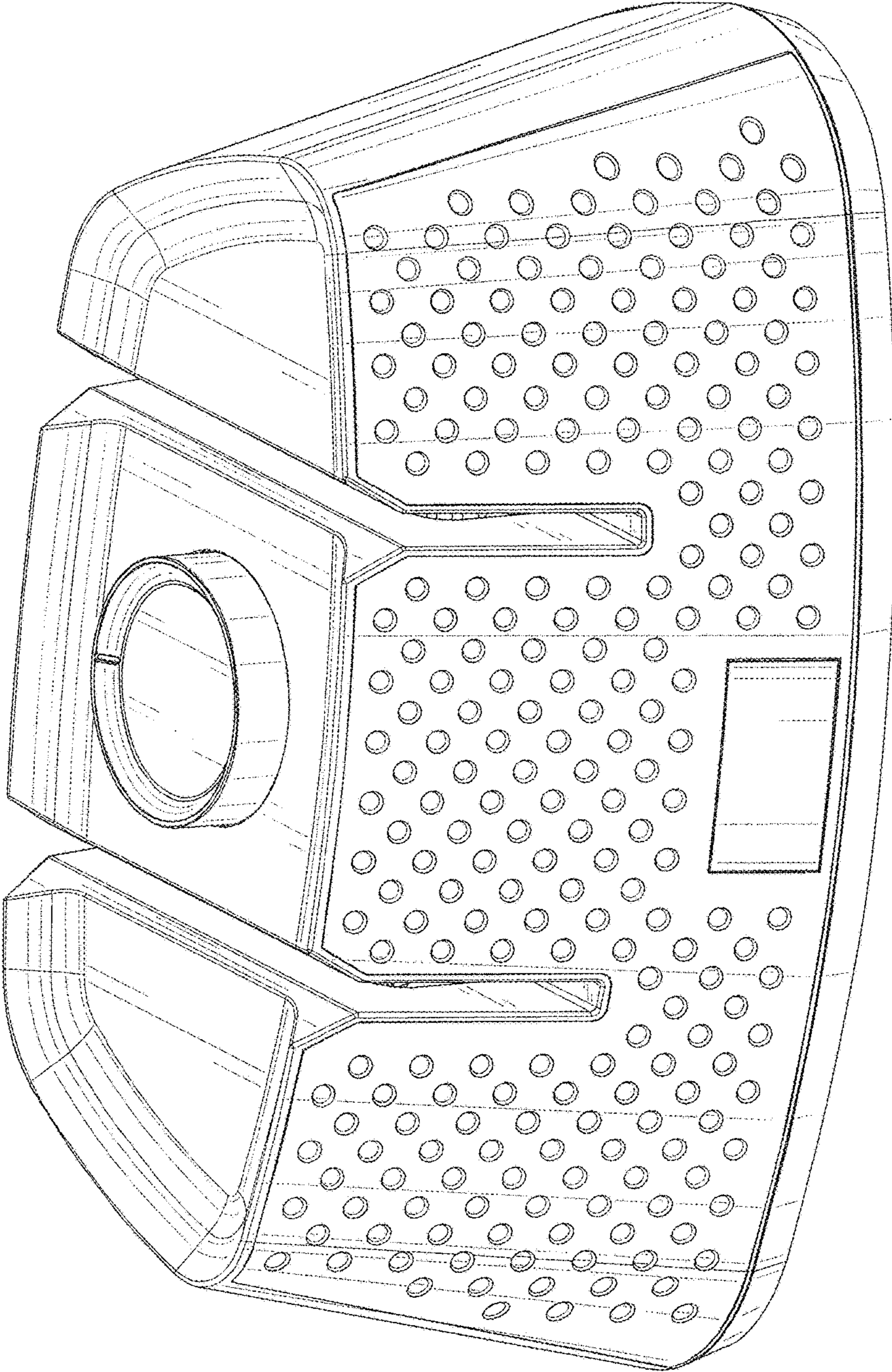


FIG. 1

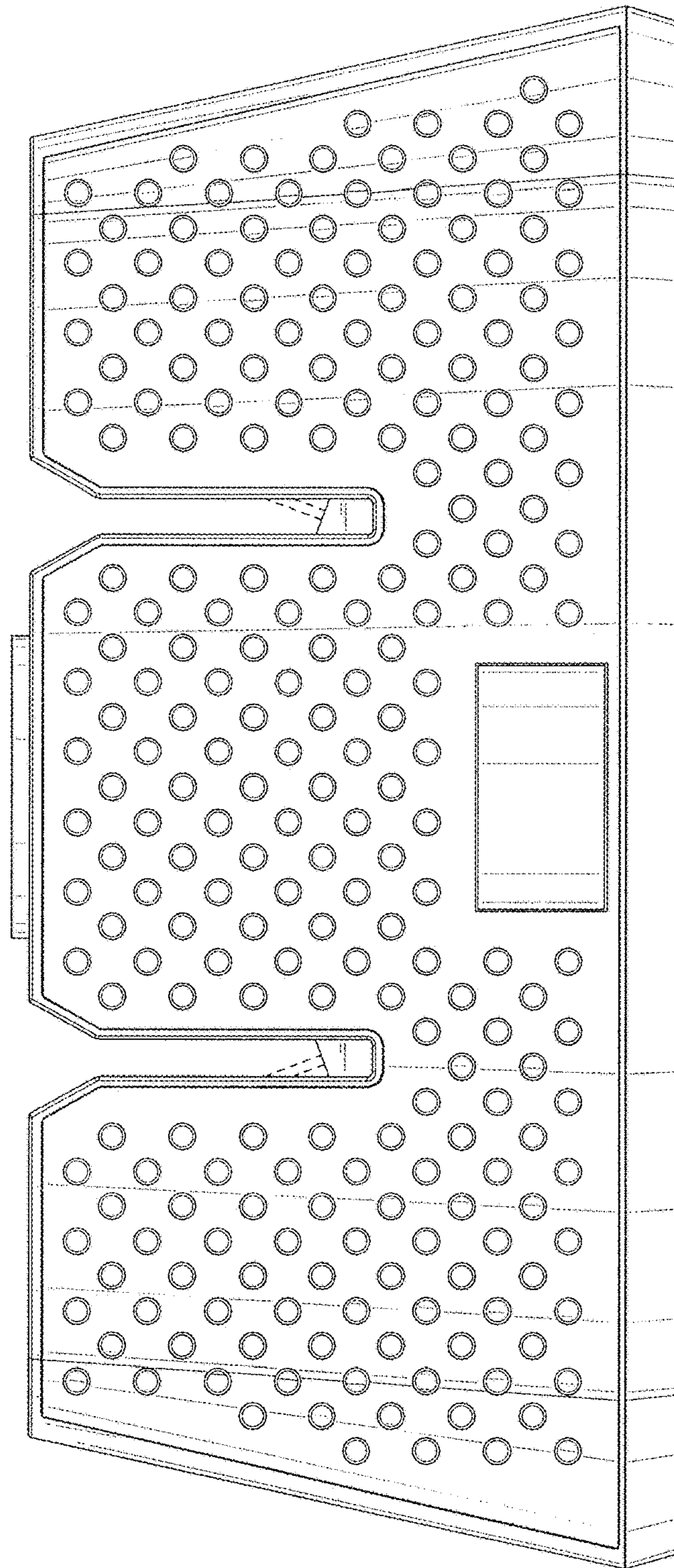


FIG. 2

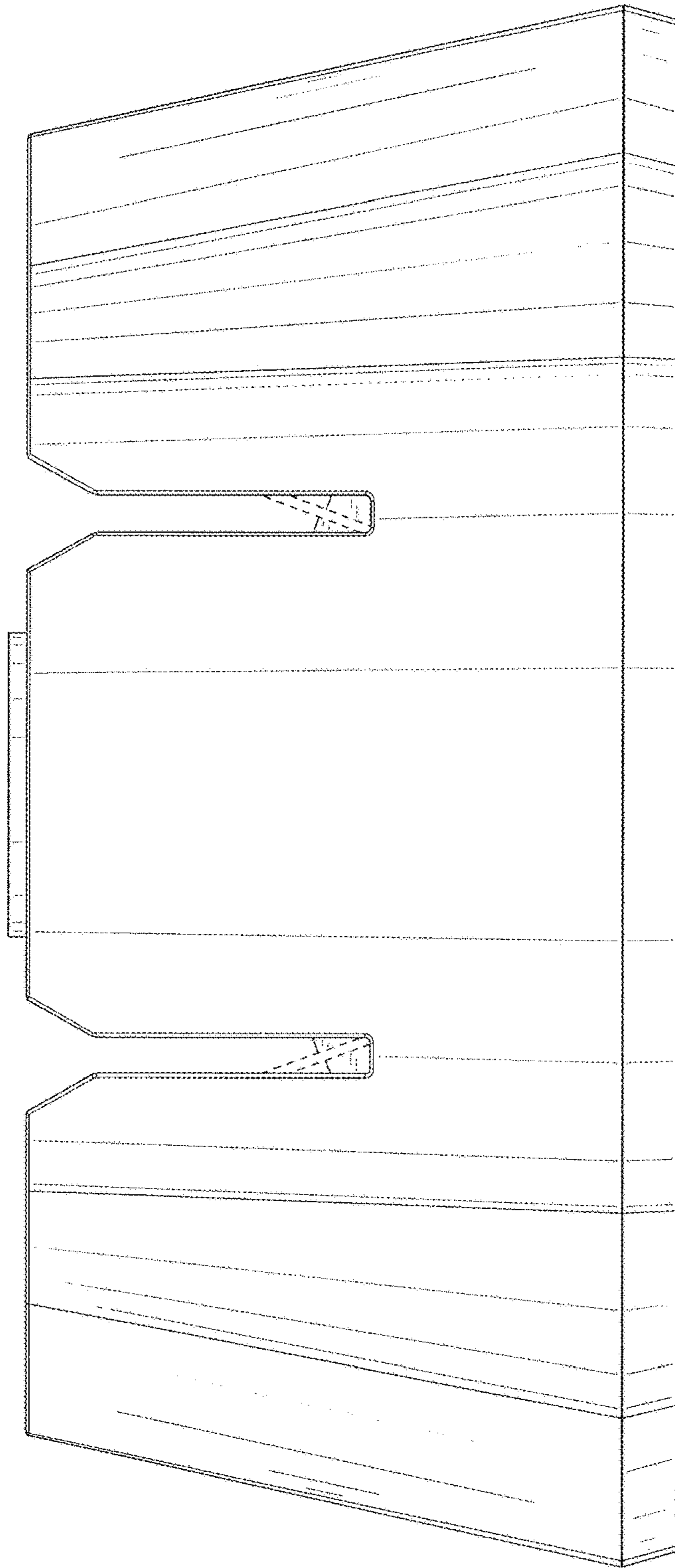


FIG. 3

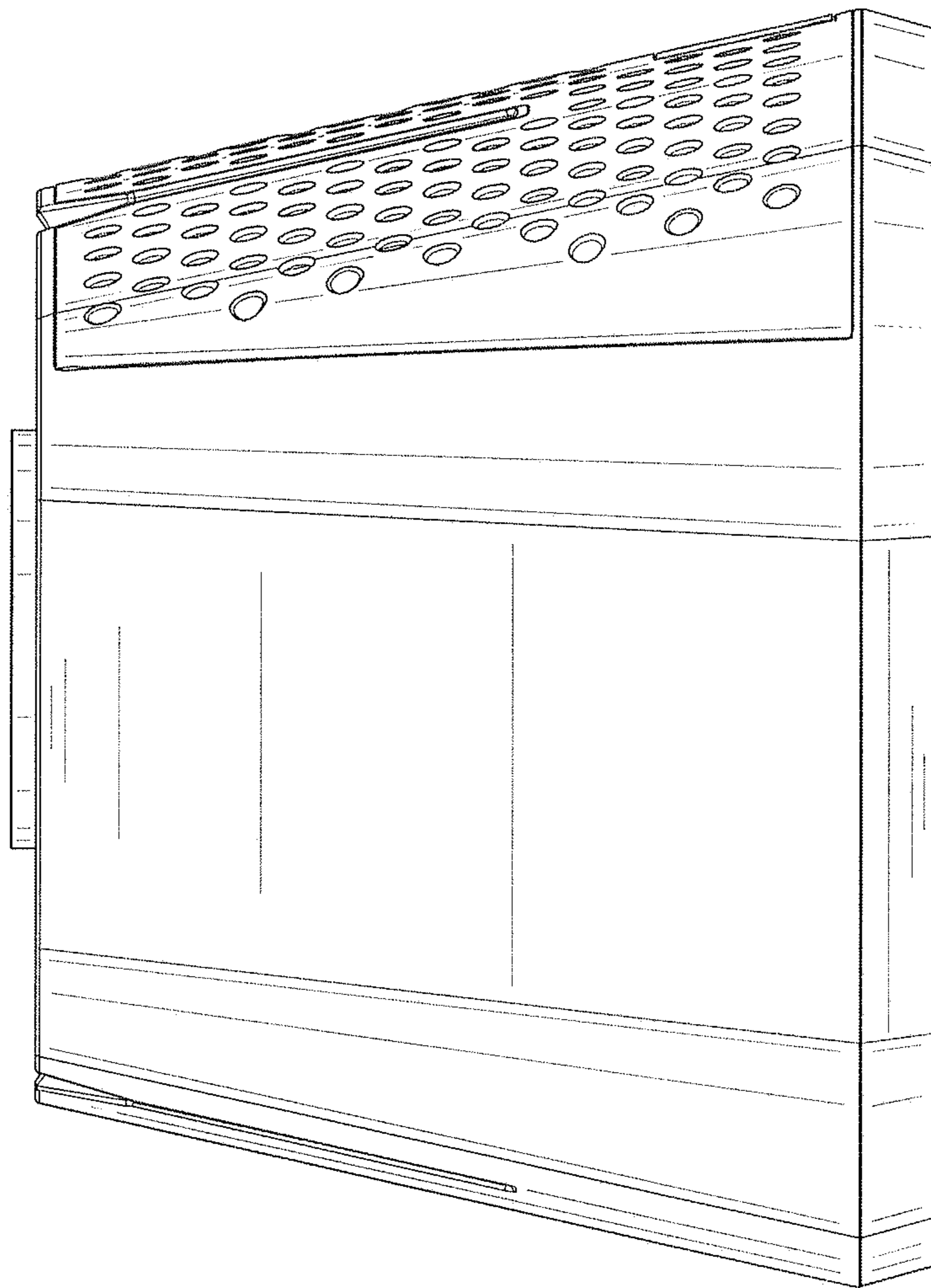


FIG. 4

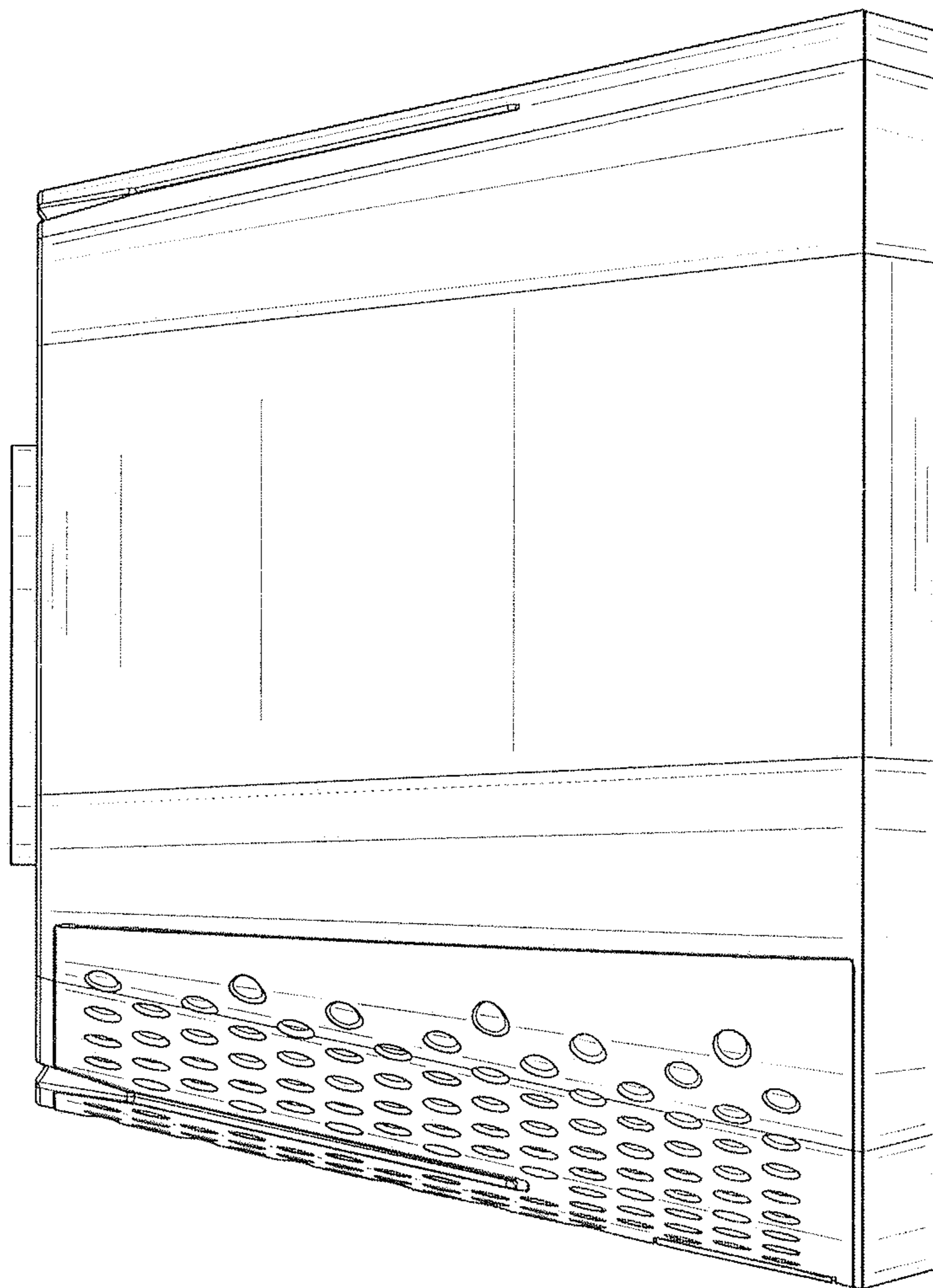


FIG. 5

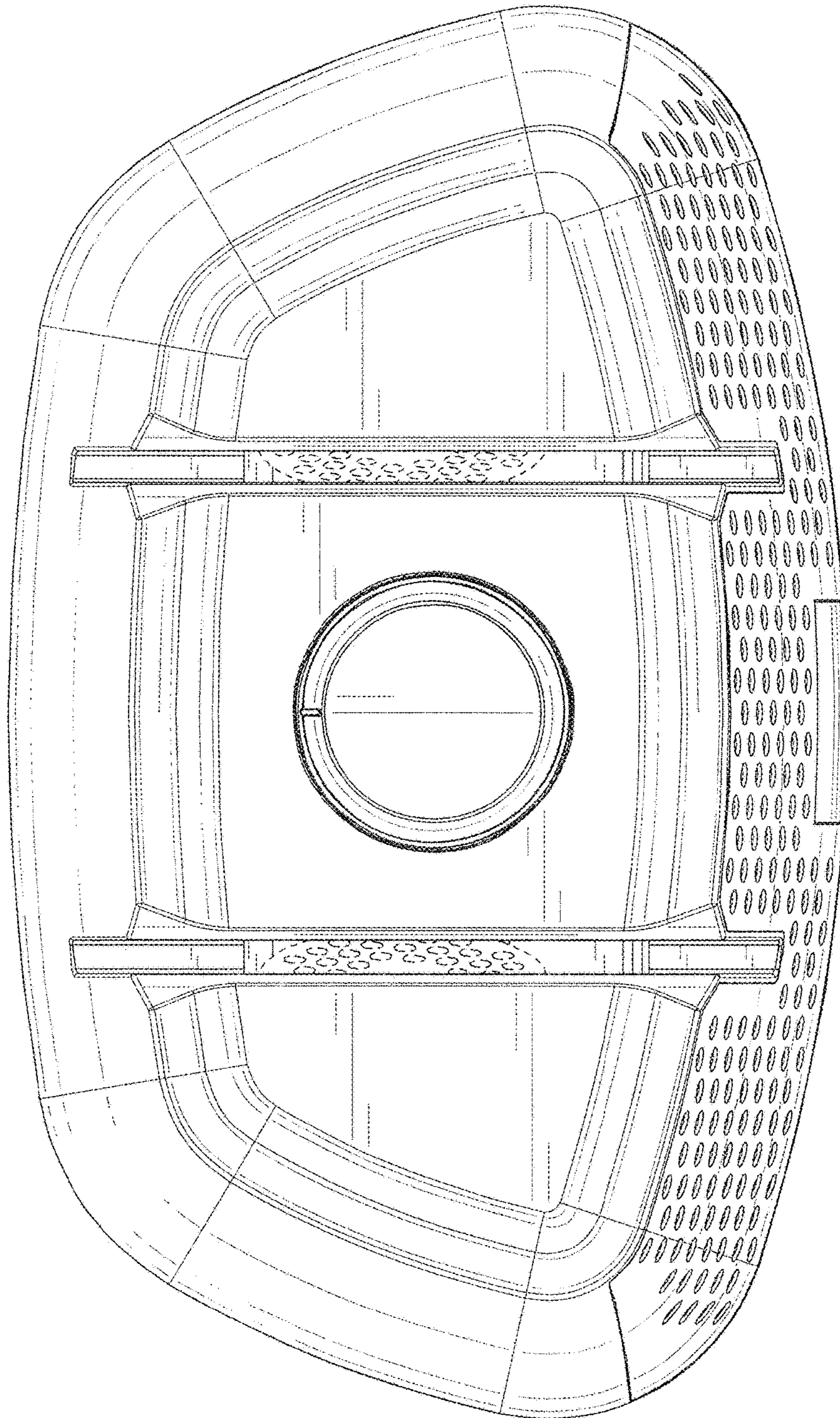


FIG. 6

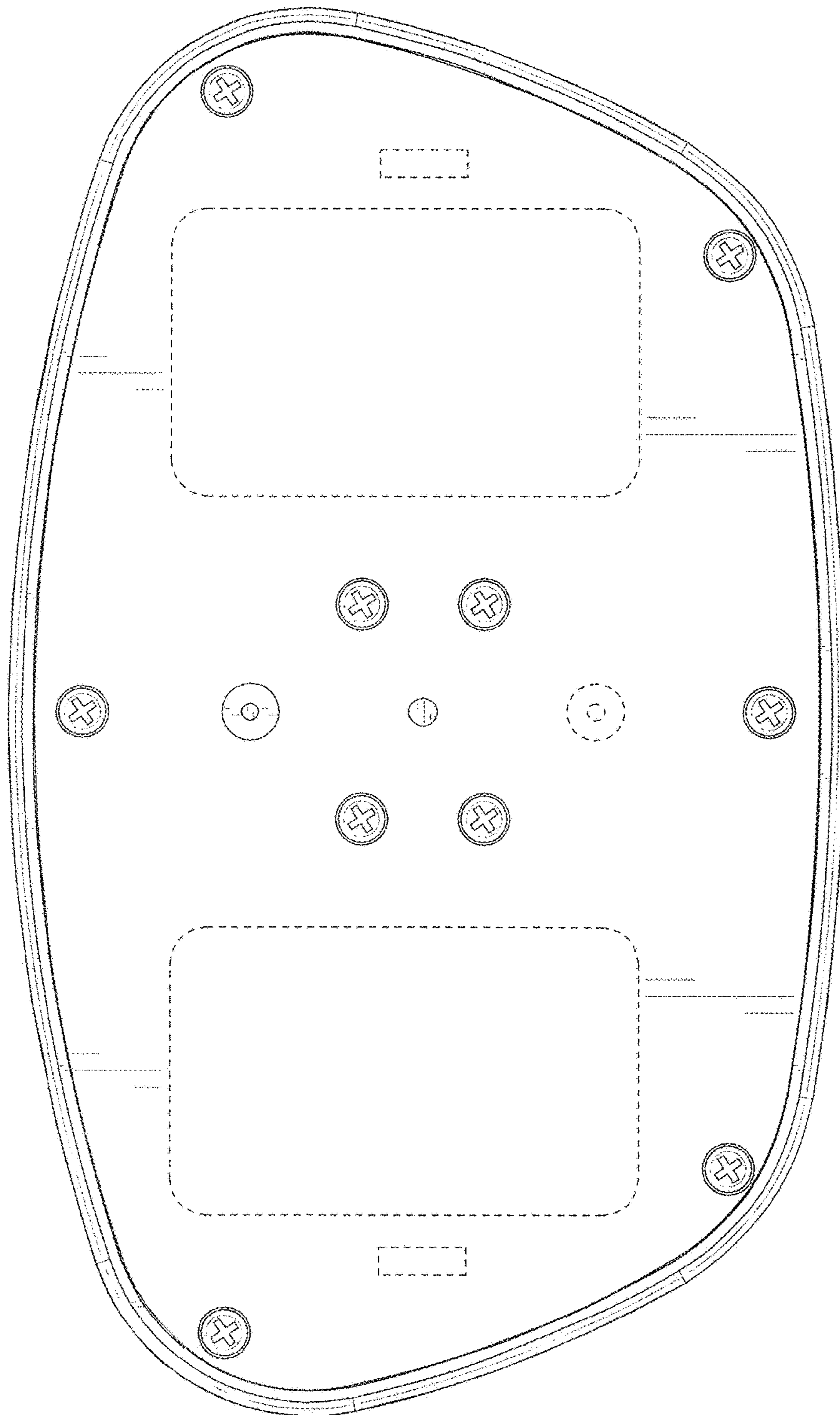


FIG. 7