



US00D866275S

(12) **United States Design Patent**
Zhou

(10) **Patent No.:** **US D866,275 S**

(45) **Date of Patent:** **** Nov. 12, 2019**

(54) **WRENCH**

(71) Applicant: **Daning Zhou**, Qingdao (CN)

(72) Inventor: **Daning Zhou**, Qingdao (CN)

(73) Assignee: **QINGDAO JINGER INTERNATIONAL TRADING CO., LTD.**, Qingdao (CN)

(**) Term: **15 Years**

(21) Appl. No.: **29/667,405**

(22) Filed: **Oct. 22, 2018**

(51) **LOC (12) Cl.** **08-05**

(52) **U.S. Cl.**
USPC **D8/17; D8/21**

(58) **Field of Classification Search**
USPC D8/17, 21-29; 81/60, 177.1, 177.85,
81/121.1, 124.3, 165-170, 110.1, 176.2,
81/124.6, 176.1, 176.15, 177.2; 16/110.1;
D15/144.1; 219/75, 227, 229, 121.16,
219/121.18
CPC B25B 13/00
See application file for complete search history.

(56) **References Cited**

U.S. PATENT DOCUMENTS

D329,788 S * 9/1992 Andrew D8/17
D742,706 S * 11/2015 Sui D8/17

D762,432 S * 8/2016 Stanley D8/21
D790,936 S * 7/2017 Leys D8/21
D803,020 S * 11/2017 Cheng D8/21
D805,865 S * 12/2017 Sui D8/21
D811,183 S * 2/2018 Leys D8/27

* cited by examiner

Primary Examiner — Randall H Gholson

(74) *Attorney, Agent, or Firm* — Law Offices of Steven W. Weinrieb

(57) **CLAIM**

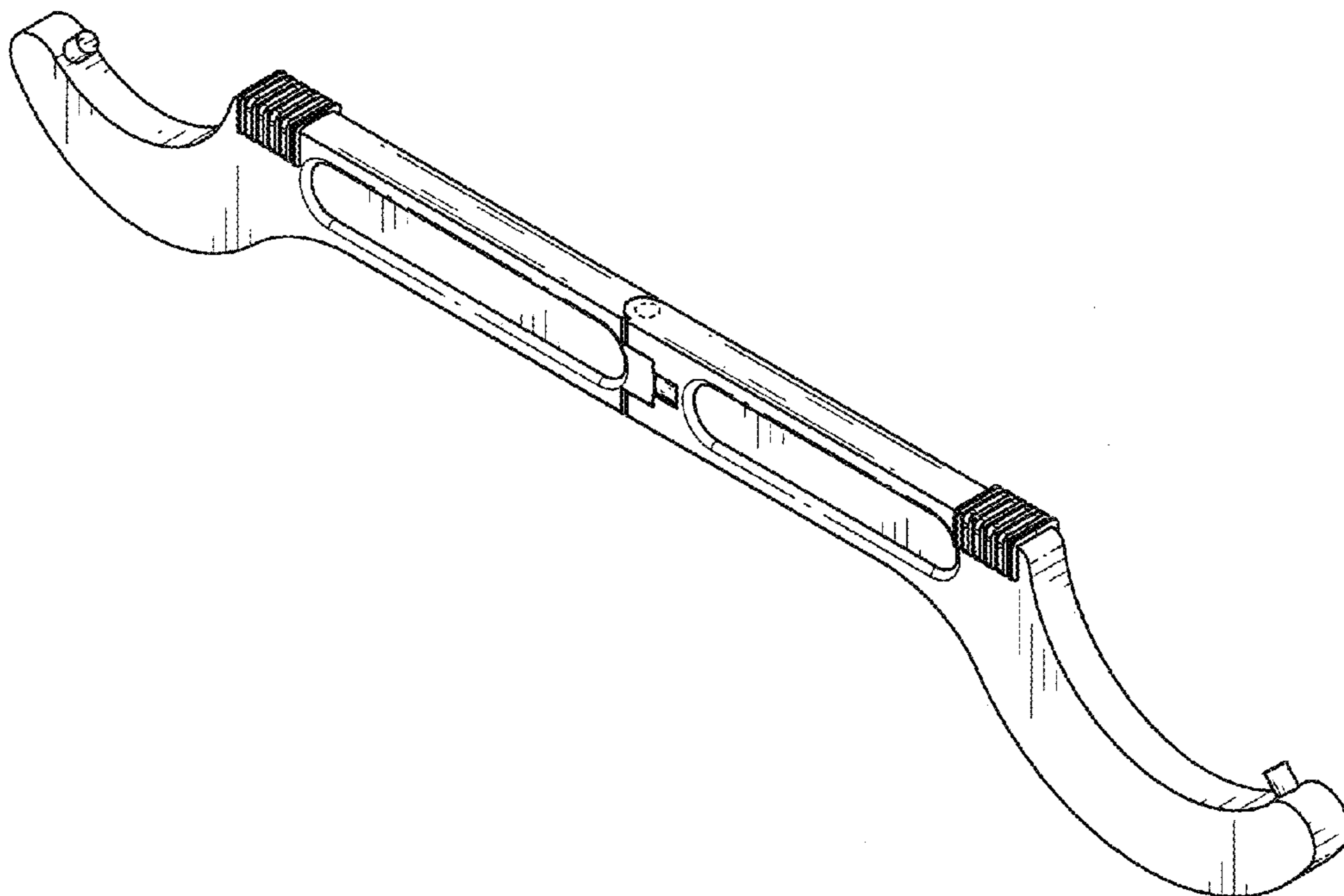
The ornamental design for a wrench, as shown and described.

DESCRIPTION

FIG. 1 is a front, right side top perspective view of the wrench showing my new design;
FIG. 2 is a front elevational view thereof;
FIG. 3 is a rear elevational view thereof;
FIG. 4 is a left side elevational view thereof;
FIG. 5 is a right side elevational view thereof;
FIG. 6 is a top plan view thereof; and,
FIG. 7 is a bottom plan view thereof.

The broken lines immediately adjacent to the claimed portions are boundaries, all other broken lines are environmental structures; all the broken lines form no part of the claimed design.

1 Claim, 7 Drawing Sheets



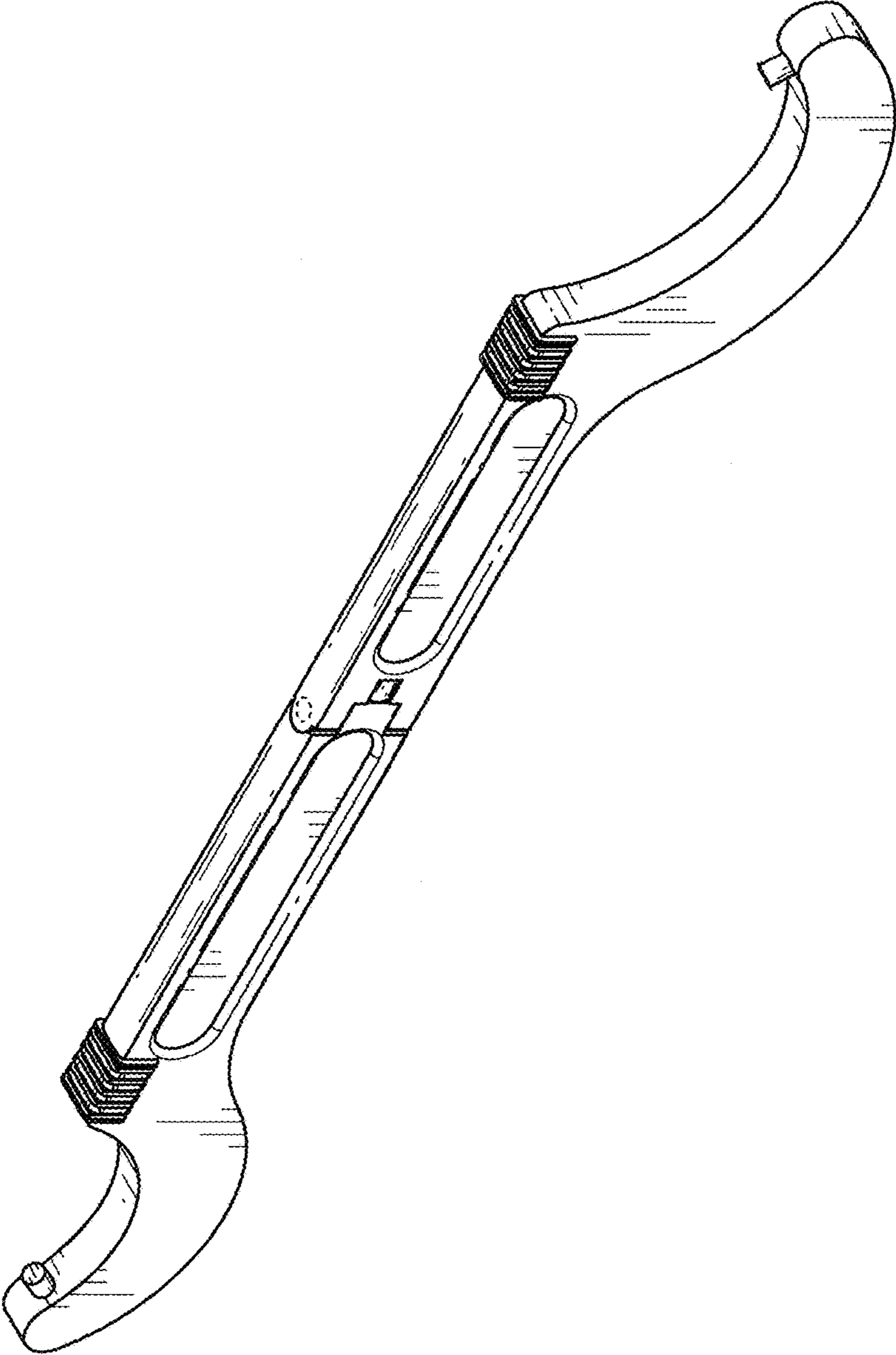


FIG. 1

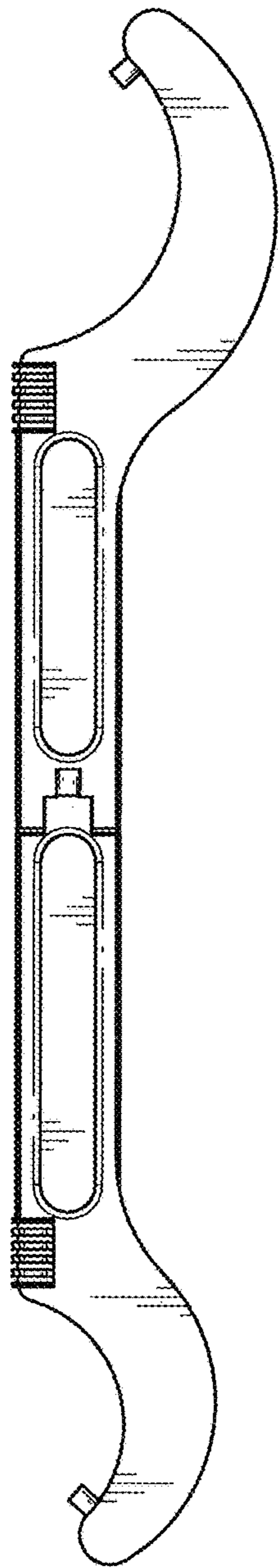


FIG. 2

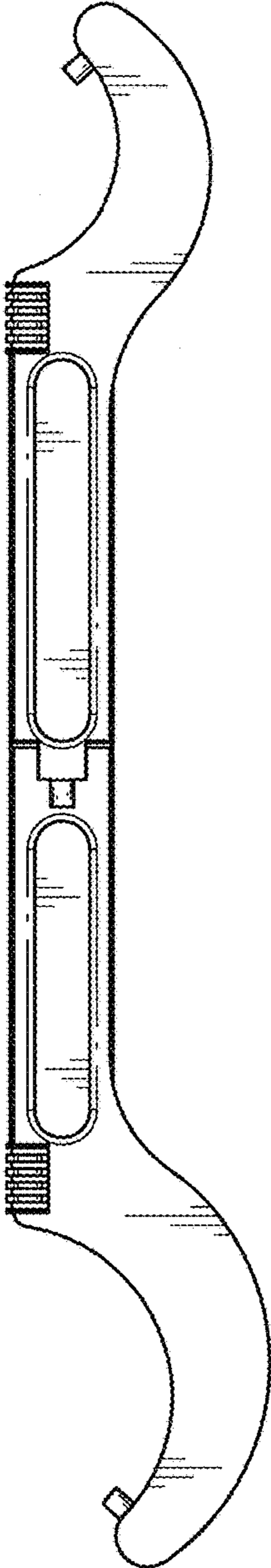


FIG. 3



FIG. 4



FIG. 5



FIG. 6



FIG. 7