



US00D866273S

(12) **United States Design Patent** (10) **Patent No.:** **US D866,273 S**
Pawluskiewicz et al. (45) **Date of Patent:** **** Nov. 12, 2019**

(54) **PRESS** 5,463,941 A * 11/1995 Gibson A47J 19/06
100/112
(71) Applicant: **Spectrum Diversified Designs, LLC,** D530,162 S * 10/2006 Hussey D7/666
Streetsboro, OH (US) 8,534,190 B2 * 9/2013 Ericsson A47J 19/06
100/112
(72) Inventors: **Jan Pawluskiewicz,** Seattle, WA (US); 2016/0220056 A1* 8/2016 Wong A47J 19/06
Matthew Frank, Seattle, WA (US);
Derek Veldkamp, Seattle, WA (US) * cited by examiner
(73) Assignee: **SPECTRUM DIVERSIFIED** *Primary Examiner* — Terry A Wallace
DESIGNS, LLC, Streetsboro, OH (US) (74) *Attorney, Agent, or Firm* — Tucker Ellis LLP

(**) Term: **15 Years**

(21) Appl. No.: **29/657,937**

(22) Filed: **Jul. 26, 2018**

(51) **LOC (12) Cl.** **07-04**

(52) **U.S. Cl.**
USPC **D7/666**

(58) **Field of Classification Search**
USPC D7/665, 666, 678, 669, 693; D8/51–55
CPC . B26B 13/06; B26B 5/008; B30B 9/04; A47J
19/06; A47J 19/005; A47J 19/022; A47J
43/286; A22C 9/008
See application file for complete search history.

(56) **References Cited**

U.S. PATENT DOCUMENTS

2,776,616 A * 1/1957 Sarossy A47J 19/06
100/125
5,101,720 A * 4/1992 Bianchi A47J 19/06
100/112

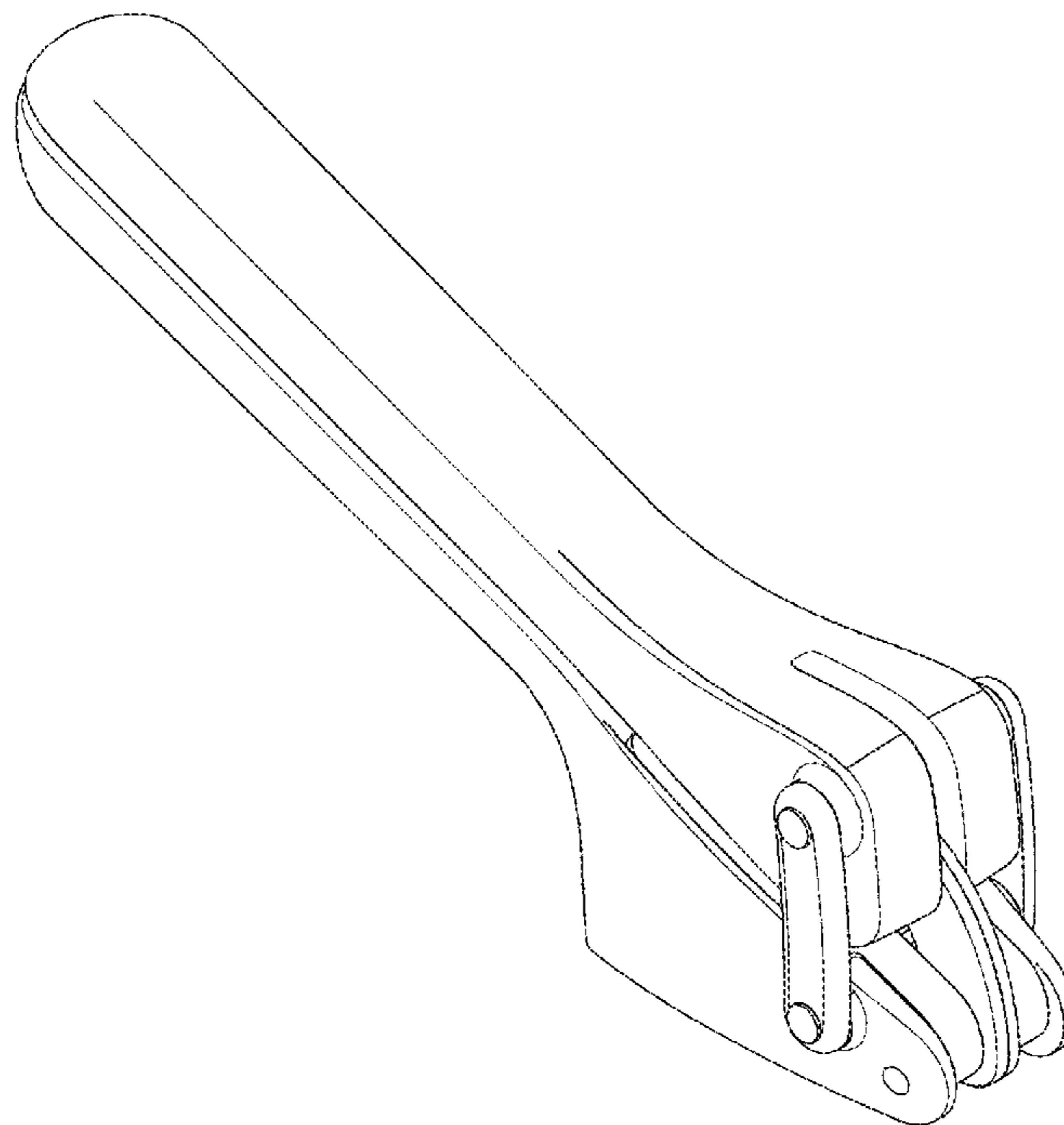
(57) **CLAIM**

The ornamental design for a press, as shown and described.

DESCRIPTION

FIG. 1 is a top perspective view of a press showing our new design.
FIG. 2 is a bottom perspective view thereof.
FIG. 3 is a front view thereof.
FIG. 4 is a rear view thereof.
FIG. 5 is a right side view thereof.
FIG. 6 is a left side view thereof.
FIG. 7 is a top view thereof; and,
FIG. 8 is a bottom view thereof.

1 Claim, 8 Drawing Sheets



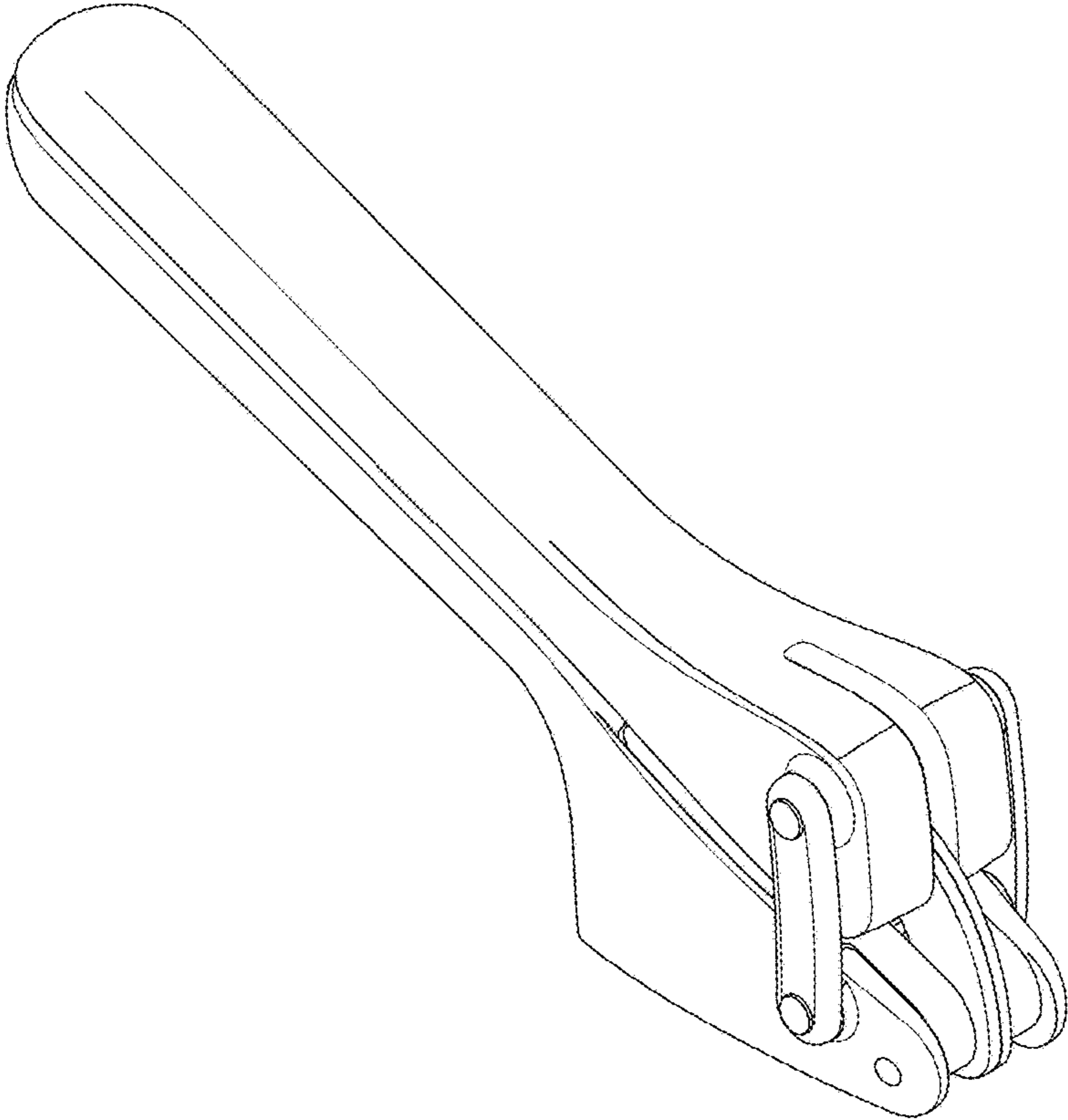


FIG. 1

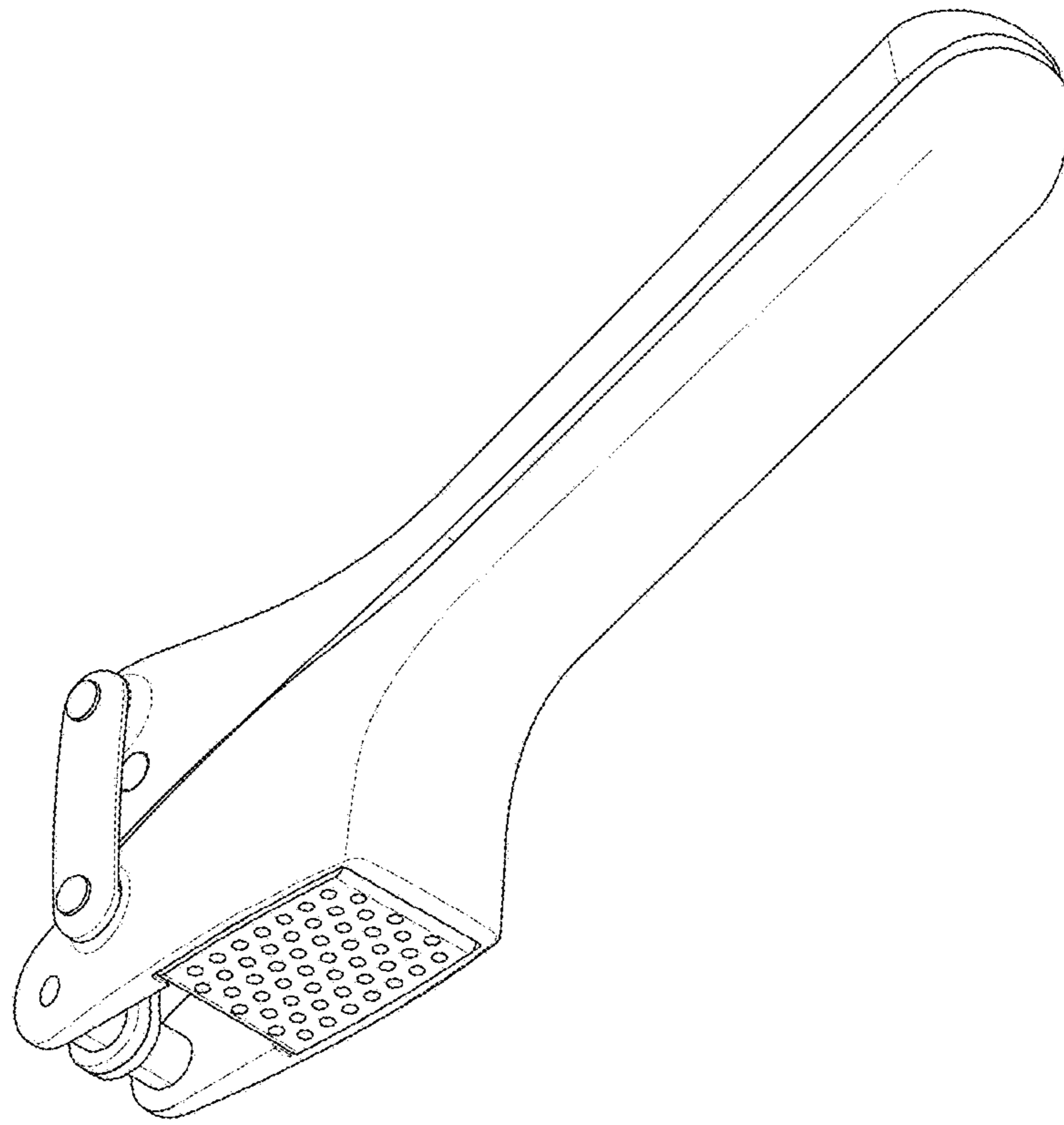


FIG. 2

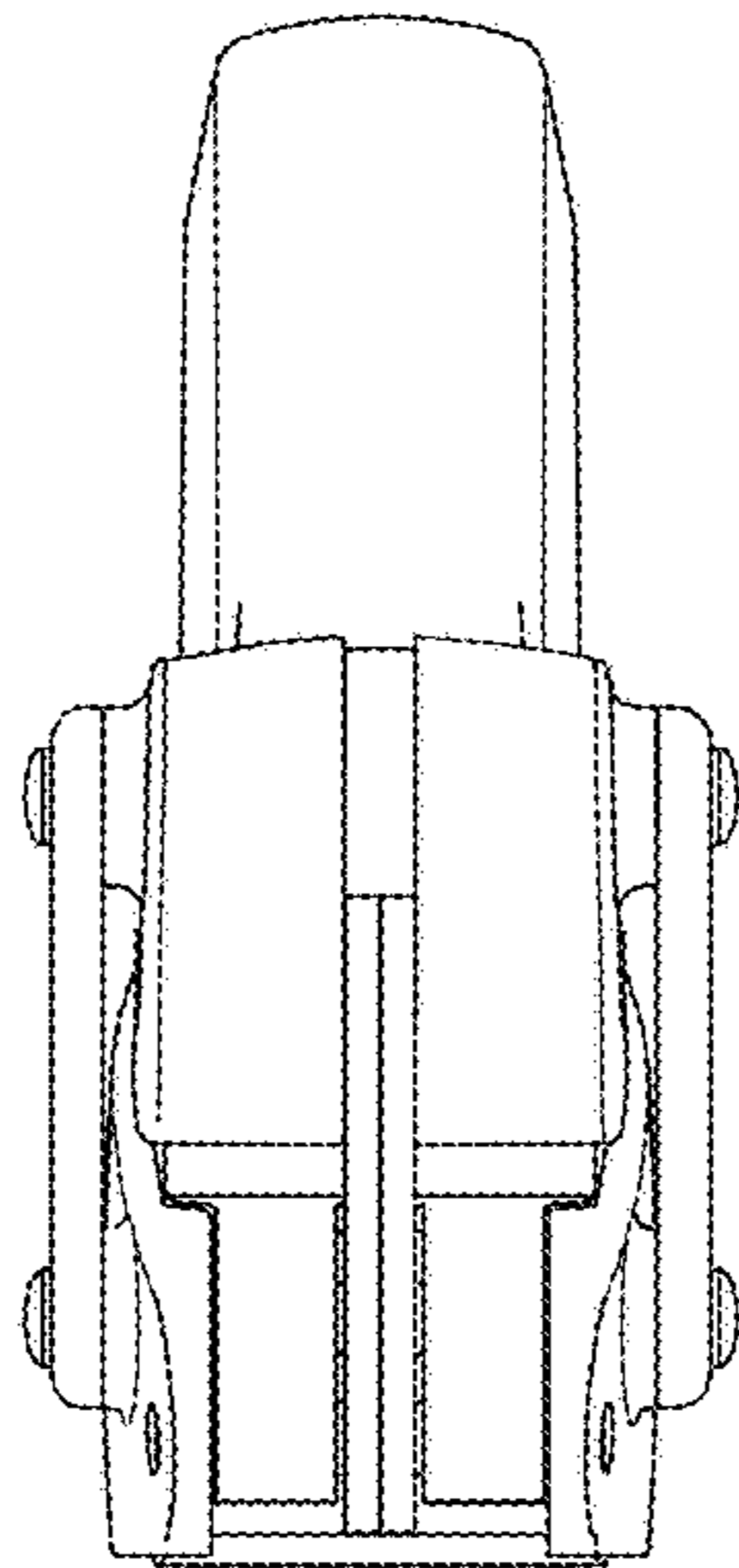


FIG. 3

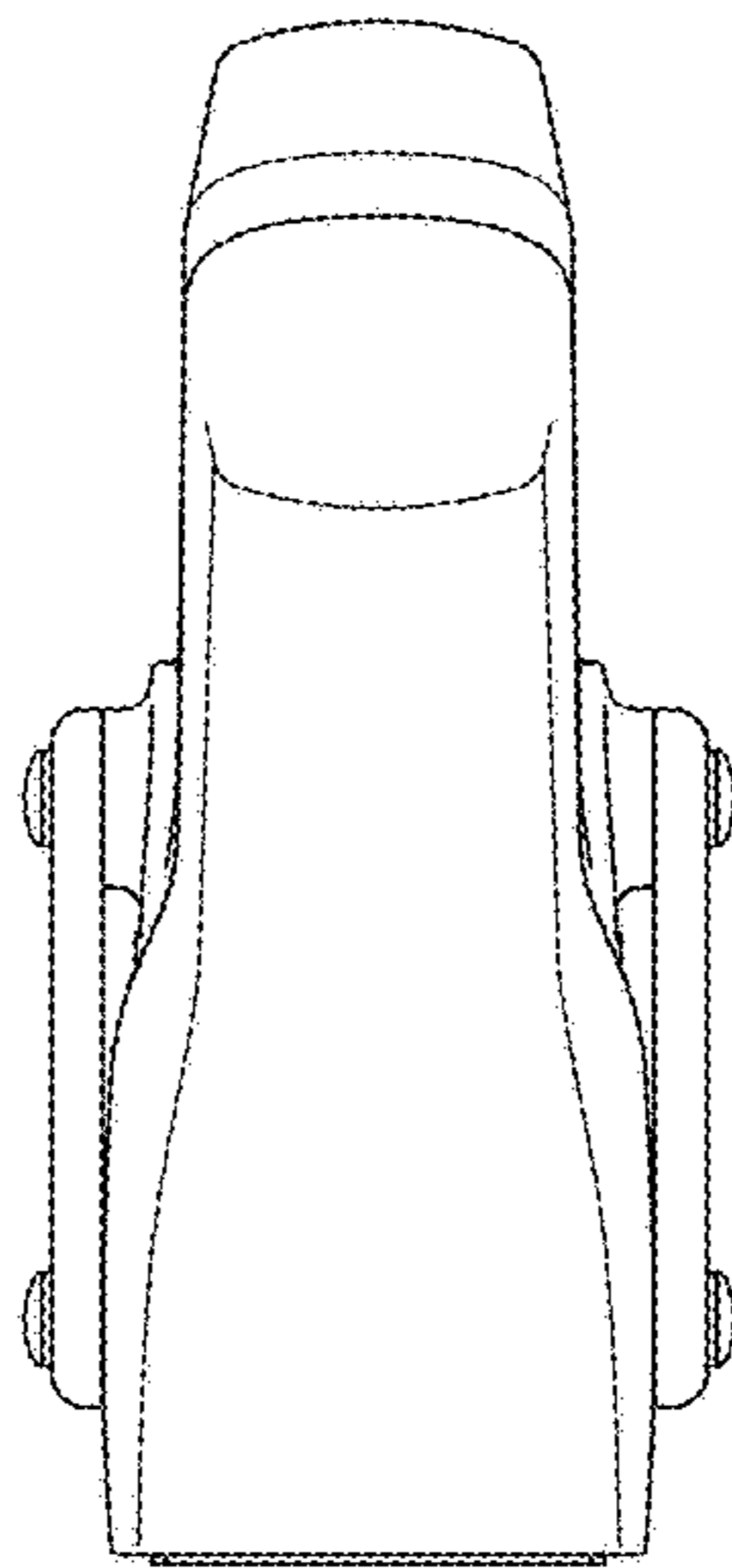


FIG. 4

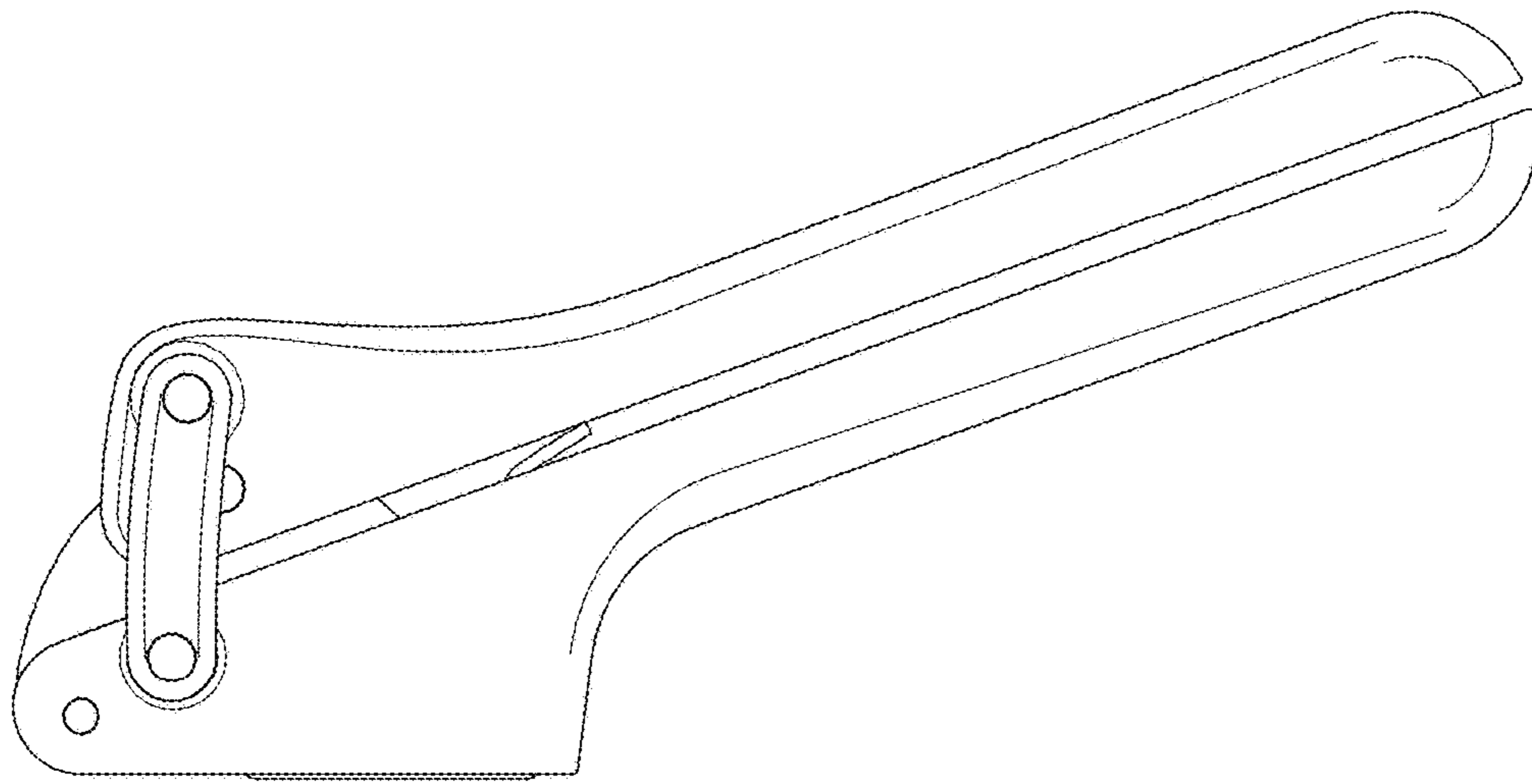


FIG. 5

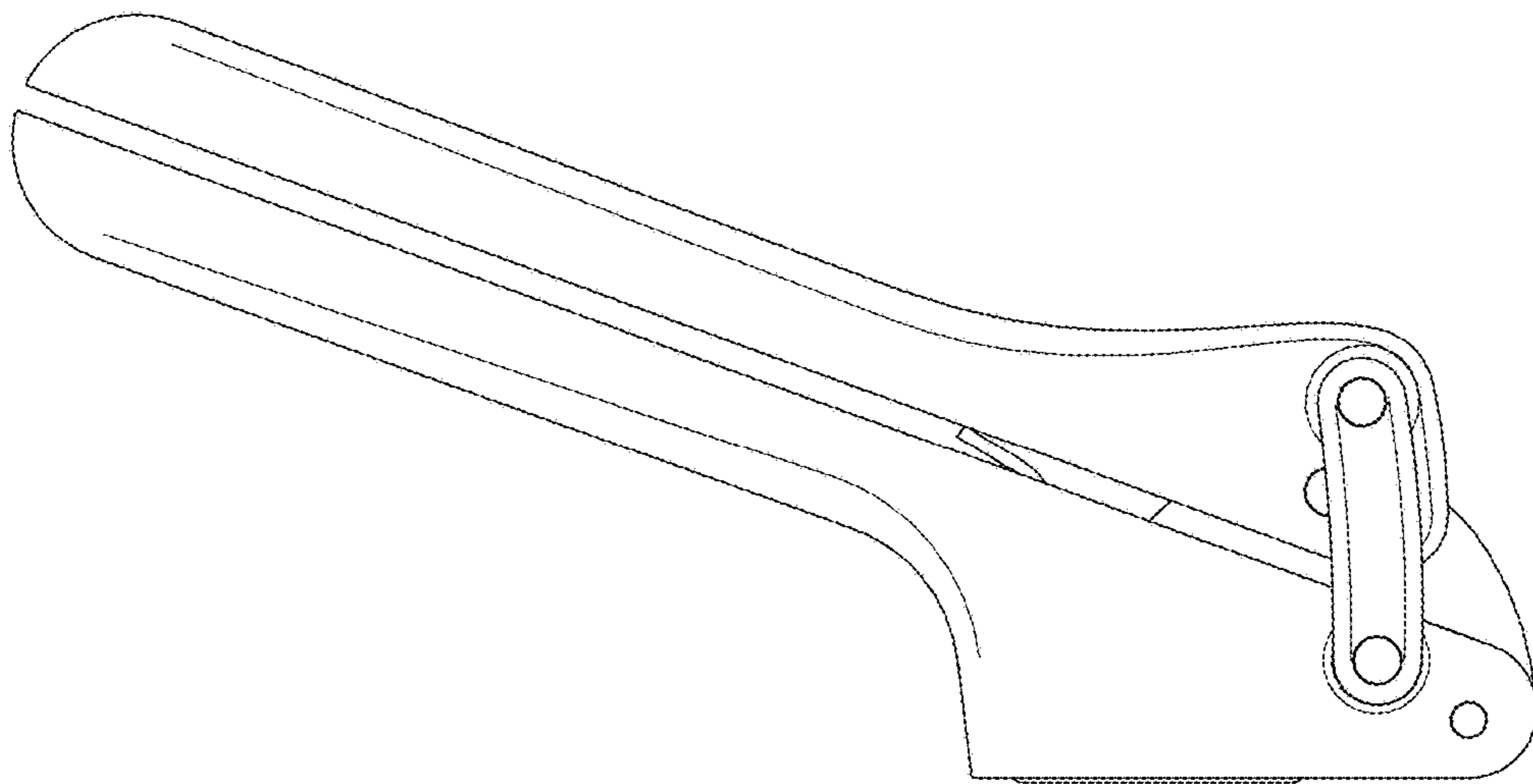


FIG. 6

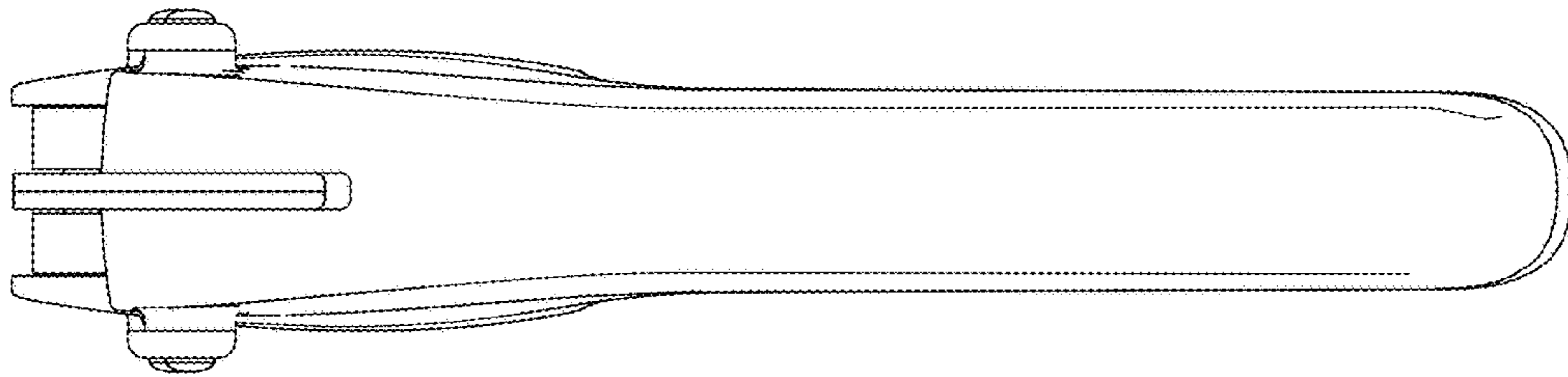


FIG. 7

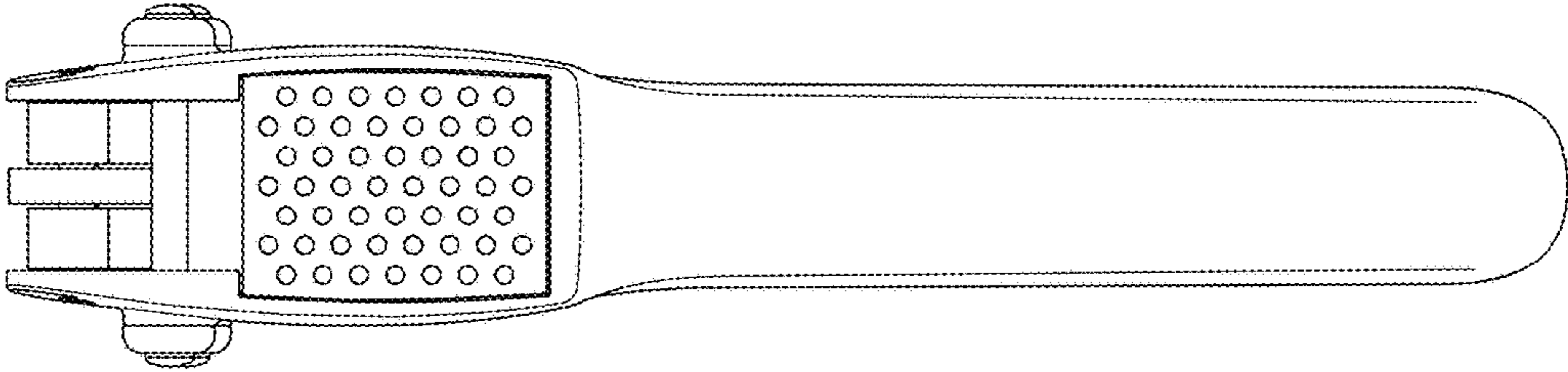


FIG. 8