



US00D866272S

(12) **United States Design Patent**  
**Donnelly et al.**

(10) **Patent No.:** **US D866,272 S**

(45) **Date of Patent:** **\*\* Nov. 12, 2019**

(54) **SANITARY CAKE COVER**

2,758,458 A 8/1956 Carlson  
D183,456 S 9/1958 Henderson  
2,852,054 A 9/1958 Motely

(71) Applicant: **Brian Donnelly**, East Northport, NY  
(US)

(Continued)

(72) Inventors: **Brian Donnelly**, East Northport, NY  
(US); **Samuel Notaro**, Riverhead, NY  
(US)

**FOREIGN PATENT DOCUMENTS**

FR 2592782 A1 7/1987  
WO 2009111821 A1 9/2009

(\*\*) Term: **15 Years**

*Primary Examiner* — Terry A Wallace

(21) Appl. No.: **29/655,769**

(74) *Attorney, Agent, or Firm* — Alfred M. Walker

(22) Filed: **Jul. 6, 2018**

(57) **CLAIM**

The ornamental design for a sanitary cake cover, as shown and described.

(51) **LOC (12) Cl.** ..... **07-99**

**DESCRIPTION**

(52) **U.S. Cl.**

USPC ..... **D7/610**

(58) **Field of Classification Search**

USPC ..... D7/610, 601, 368; D26/9-13, 16  
CPC ..... A47G 19/02; A47G 19/26; A47G 19/00;  
A47G 2400/061; A47G 2200/08; A21D  
13/80; F21V 35/006; F21V 35/00; F21W  
2121/002; F21S 13/14

See application file for complete search history.

FIG. 1 is a perspective view for a sanitary cake cover, shown assembled with the removable candle deck with tab handles and cutouts with latching tabs, positioned upon the cake cover enclosure, with a central upright handle attached to the cake cover enclosure and extendable through the removable candle deck, and with the cake cover enclosure positioned on a lower platform platter base;

FIG. 2 is a front elevation view thereof;

FIG. 3 is a left side elevation view thereof, the right side being a mirror image thereof;

FIG. 4 is a top plan view thereof;

FIG. 5 is a bottom view thereof; and,

FIG. 6 is an exploded perspective view of the sanitary cake cover, showing the component parts of the removable candle deck, the cake cover enclosure with a handle and the lower platform platter base.

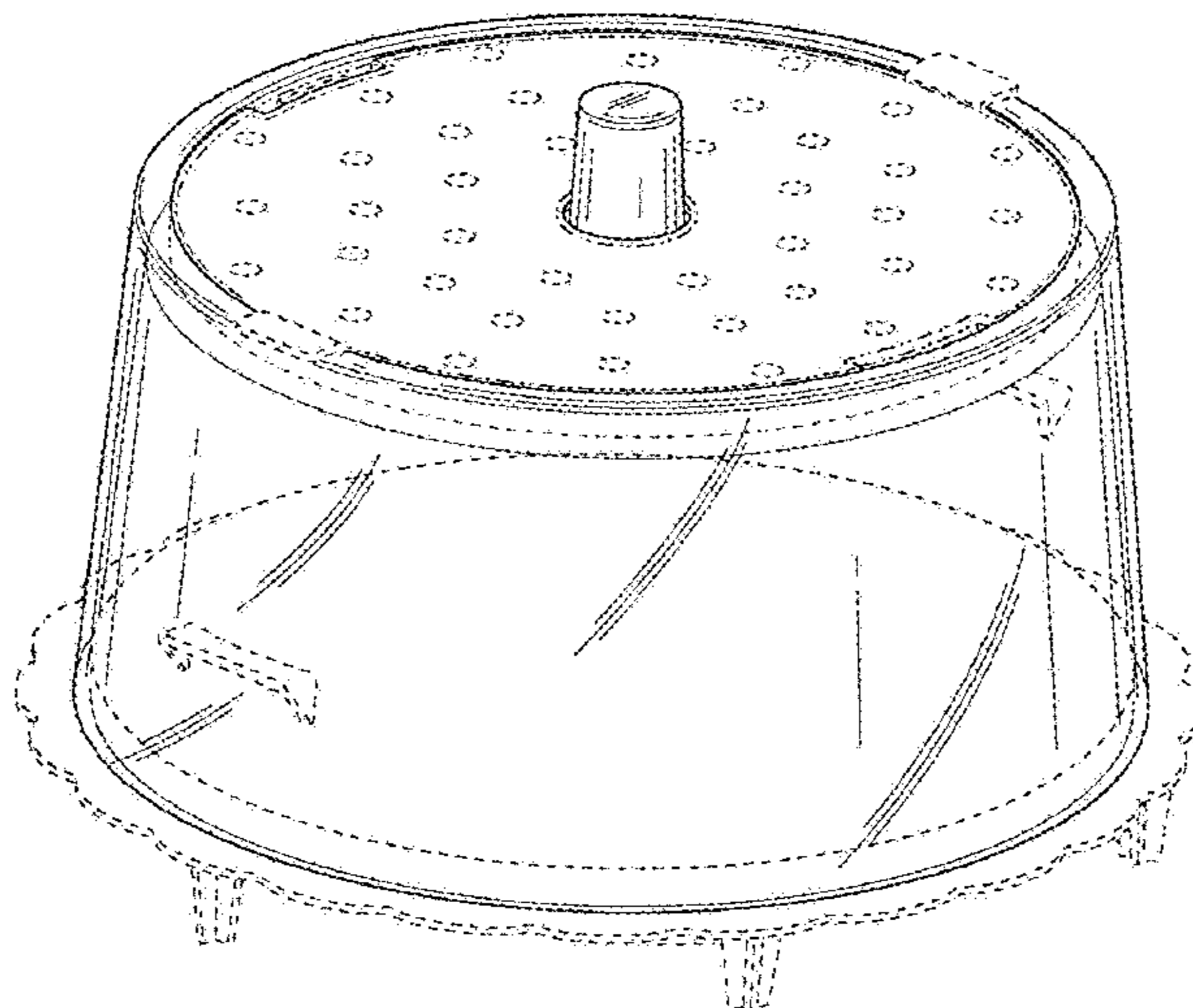
The candle holding recesses of the candle deck, the vertical height of the candle deck, the depressed recess in the top of the cake cover enclosure, the side lifting handles on the cake cover piece and the lower platform platter base with an elevated skirt, are shown for environmental purposes in dashed lines, and form no part of the claimed design.

(56) **References Cited**

**U.S. PATENT DOCUMENTS**

1,125,855 A 1/1915 Mapes  
1,511,004 A 10/1924 Pooch  
1,778,597 A 10/1930 Herzog  
1,879,477 A 9/1932 Powell  
1,982,723 A 12/1934 Bantleon  
2,170,040 A 8/1939 Stuart  
2,303,540 A 6/1940 Montgomery  
2,316,342 A 4/1942 Krieg  
2,347,041 A 4/1944 Filsinger  
2,393,767 A 1/1946 Gould  
2,406,777 A 9/1946 Koretzky  
2,468,505 A 4/1949 Mineill  
D157,043 S 1/1950 Gruber  
2,617,350 A 11/1952 Shol

**1 Claim, 5 Drawing Sheets**



(56)

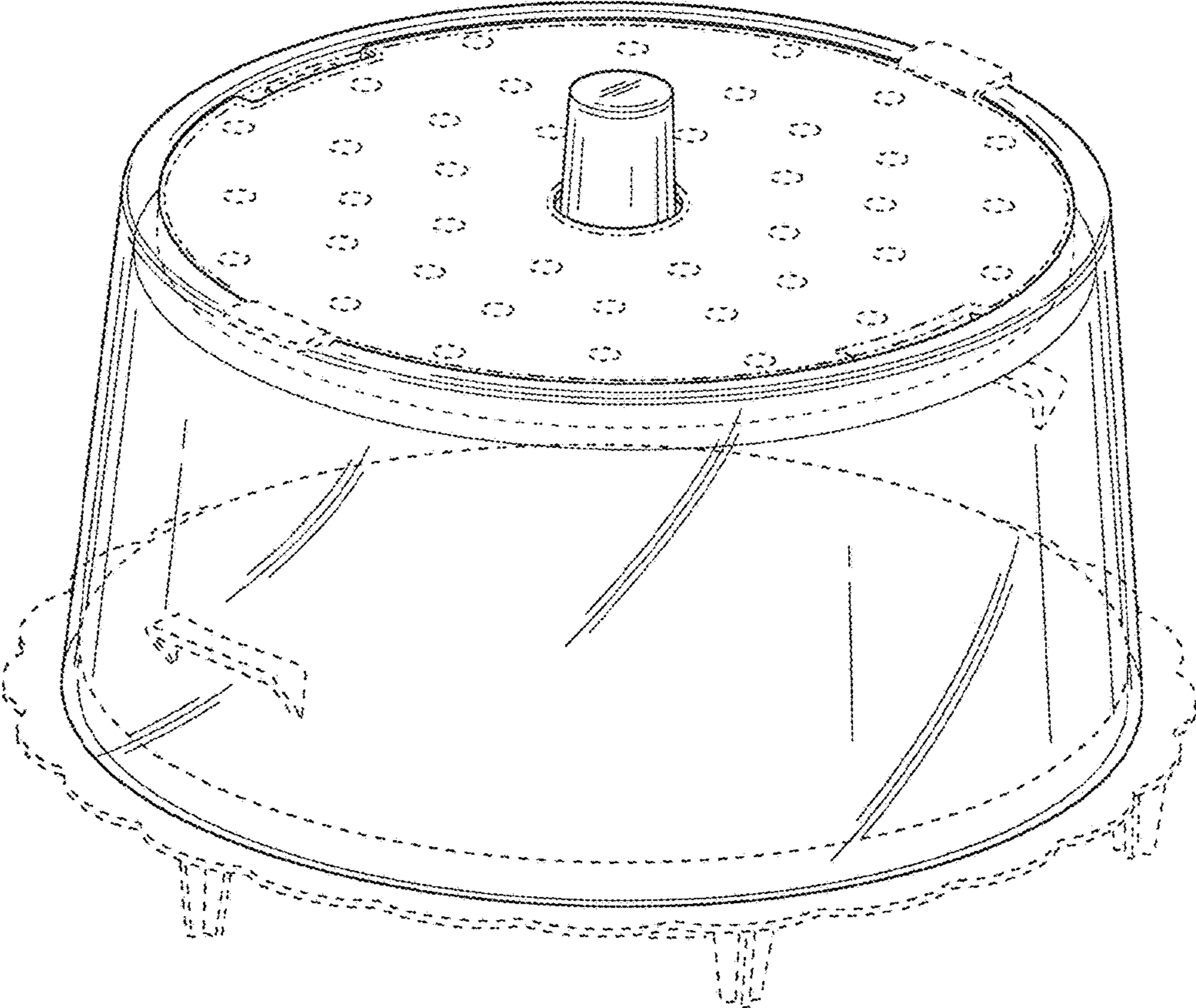
References Cited

U.S. PATENT DOCUMENTS

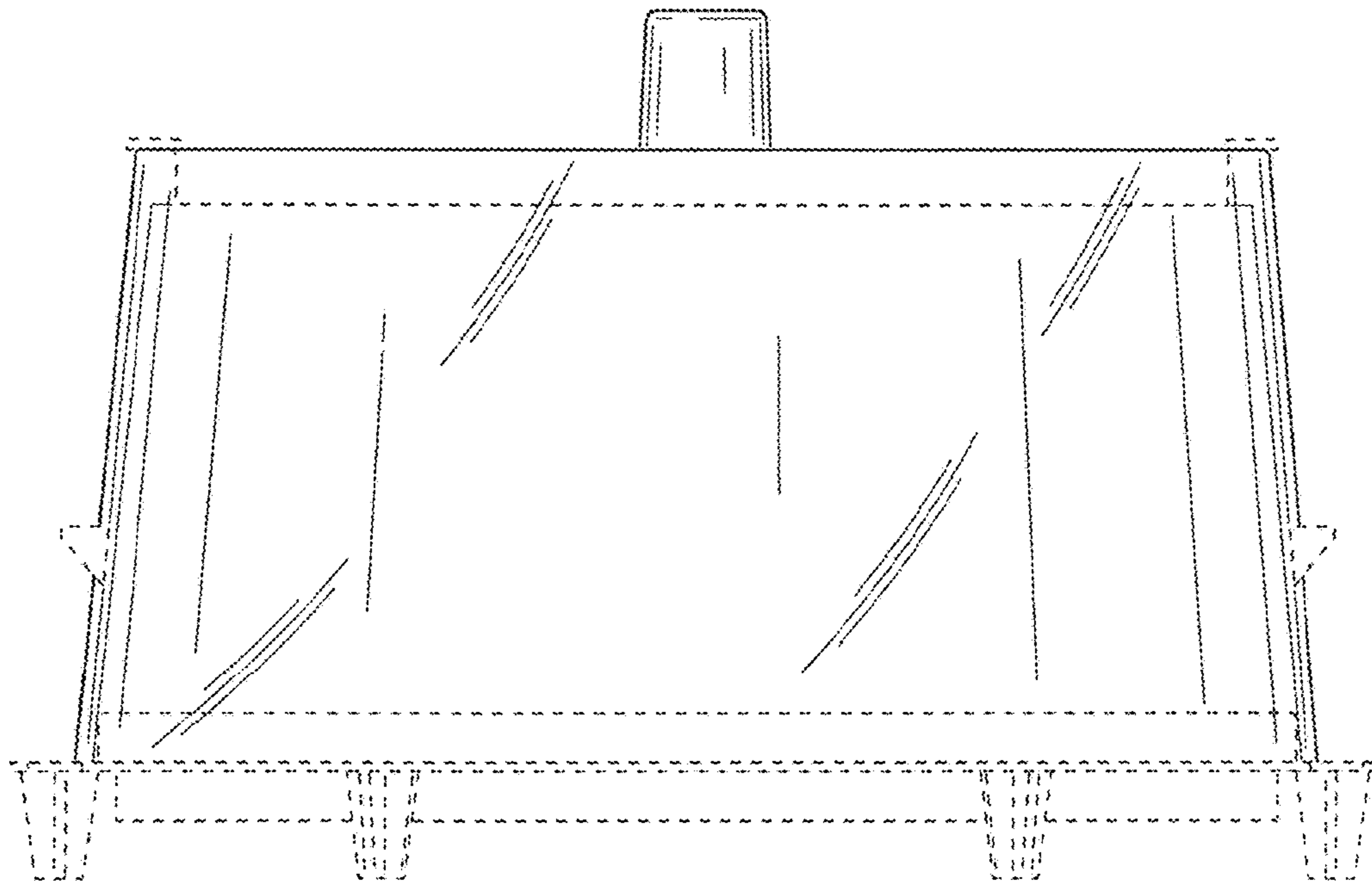
2,924,330 A 2/1960 Ballard  
 2,960,770 A 11/1960 Valenta  
 2,997,788 A 8/1961 Gilbert  
 3,076,577 A 2/1963 Craig  
 3,204,359 A 9/1965 Kurokawa  
 3,736,214 A \* 5/1973 Birnie ..... A47G 19/26  
 428/7  
 3,819,455 A \* 6/1974 MacKendrick ..... A47G 19/26  
 428/7  
 4,206,845 A 6/1980 Christian  
 4,219,119 A 8/1980 Zefran  
 4,359,159 A 11/1982 Pollard  
 4,385,554 A 5/1983 Daenen  
 4,663,506 A 5/1987 Bowen  
 4,721,455 A 1/1988 Barfus  
 4,884,966 A 12/1989 Wexler  
 4,938,688 A 7/1990 Wexler  
 5,096,274 A 3/1992 Fuschetto  
 D333,410 S 2/1993 Panzarello  
 D337,026 S \* 7/1993 Higgins ..... D7/610  
 5,582,478 A 12/1996 Ambrosino  
 5,673,802 A 10/1997 Valentino  
 D446,083 S 8/2001 Marsh  
 D455,850 S 4/2002 Haskin  
 6,607,377 B2 8/2003 Latzel

D490,276 S \* 5/2004 Pereira ..... D26/10  
 6,736,632 B2 5/2004 Wolter  
 6,892,883 B1 5/2005 Brumfield et al.  
 D572,539 S 7/2008 Swinford et al.  
 D584,926 S 1/2009 Ethier  
 D633,654 S 3/2011 Berkete  
 8,056,751 B2 11/2011 Vovan  
 8,307,982 B1 11/2012 Vovan  
 8,459,456 B2 6/2013 Donnelly  
 8,668,088 B2 \* 3/2014 Donnelly ..... A47G 19/26  
 206/457  
 10,039,398 B1 \* 8/2018 Daneshvar ..... A47G 19/26  
 2003/0136277 A1 \* 7/2003 Okros ..... A47G 19/26  
 99/645  
 2004/0224271 A1 11/2004 Langsam  
 2004/0244604 A1 12/2004 Slagter  
 2005/0056162 A1 \* 3/2005 Milligan ..... A47G 19/26  
 99/645  
 2005/0087459 A1 4/2005 Slagter  
 2006/0115781 A1 6/2006 Greiner  
 2006/0130677 A1 6/2006 Chou  
 2007/0048680 A1 3/2007 Cartledge  
 2009/0181335 A1 \* 7/2009 Tropeano ..... F21S 13/14  
 431/253  
 2012/0247996 A1 \* 10/2012 Donnelly ..... A47G 19/26  
 206/457

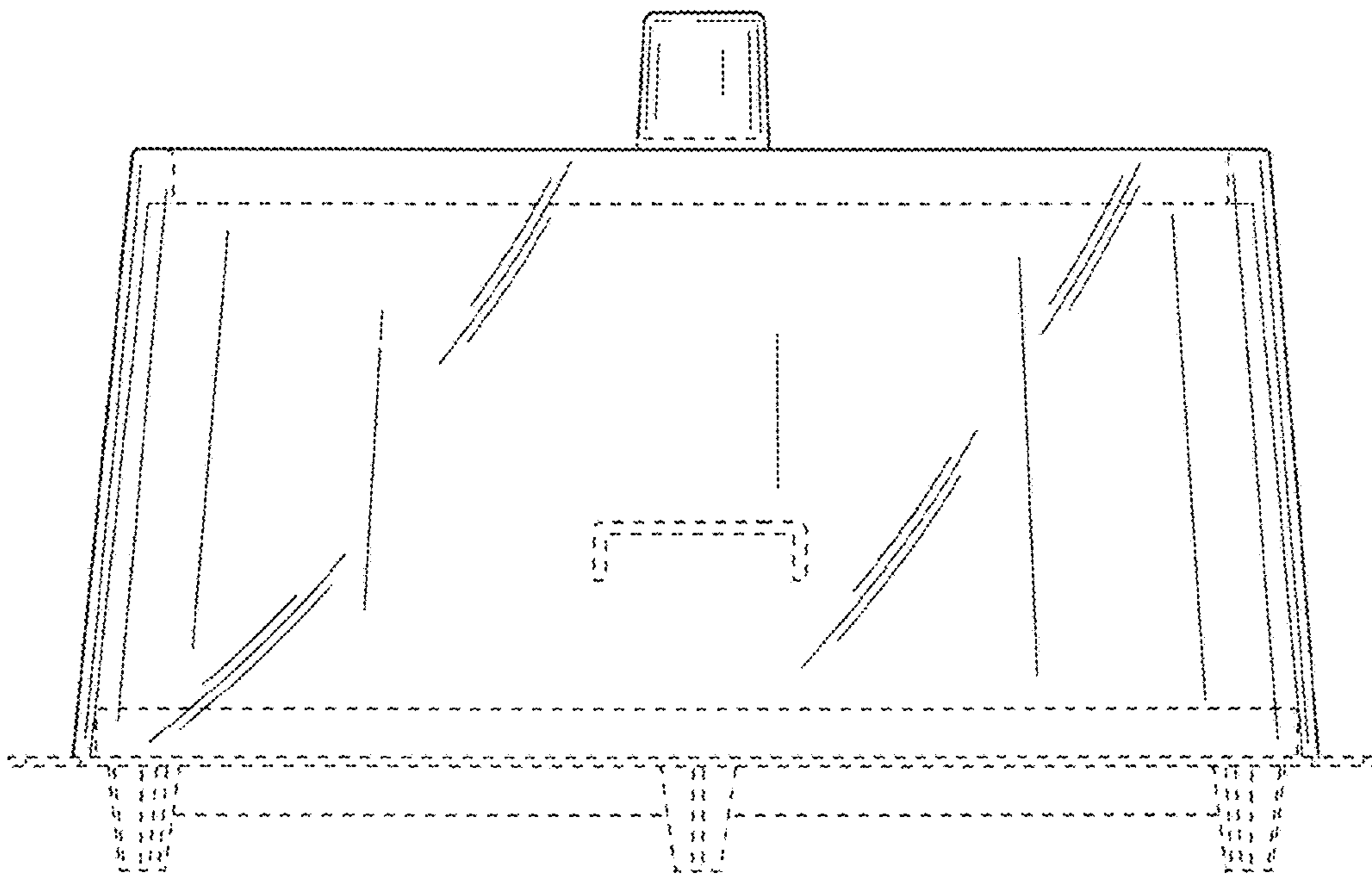
\* cited by examiner



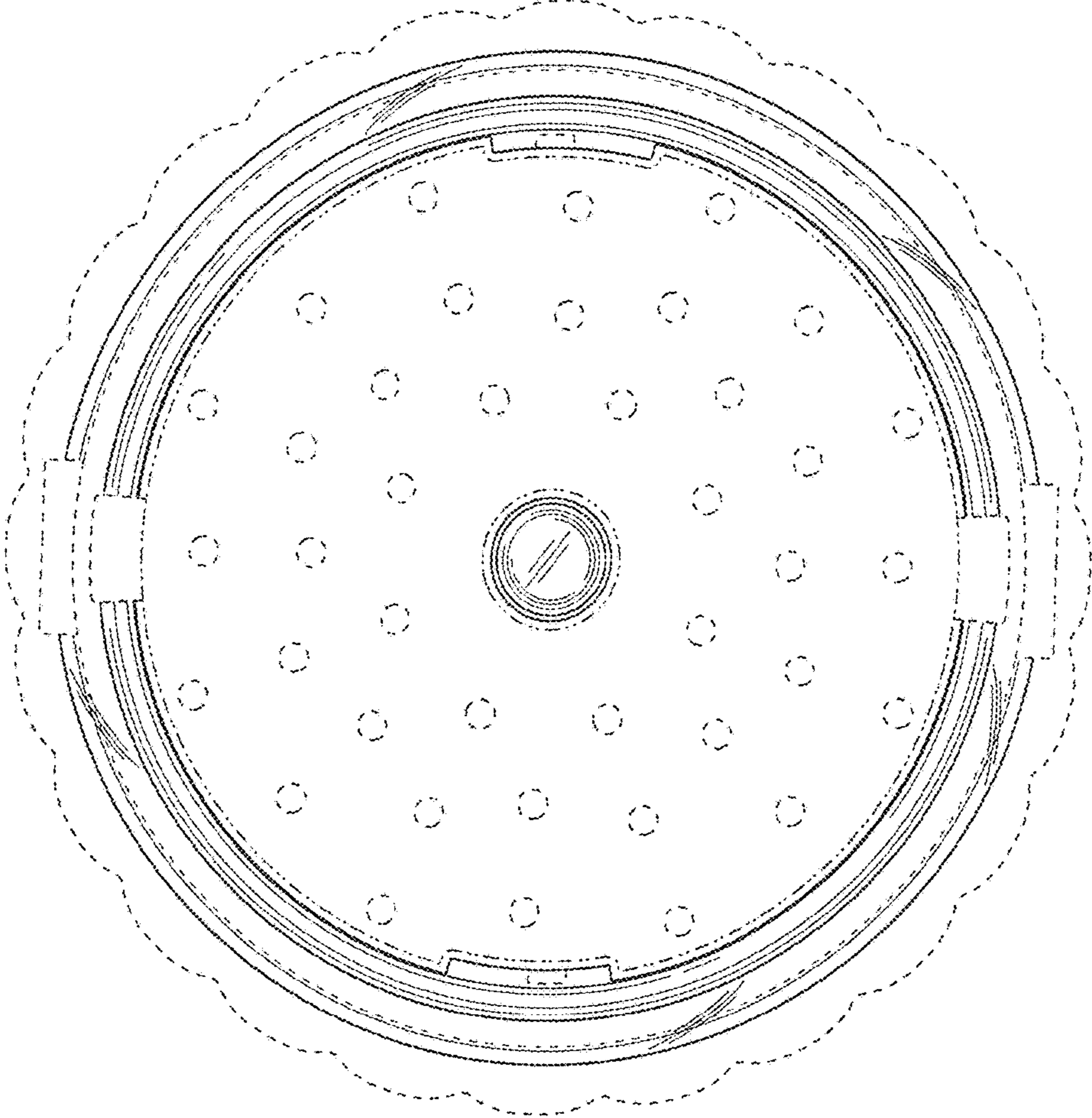
**FIG. 1**



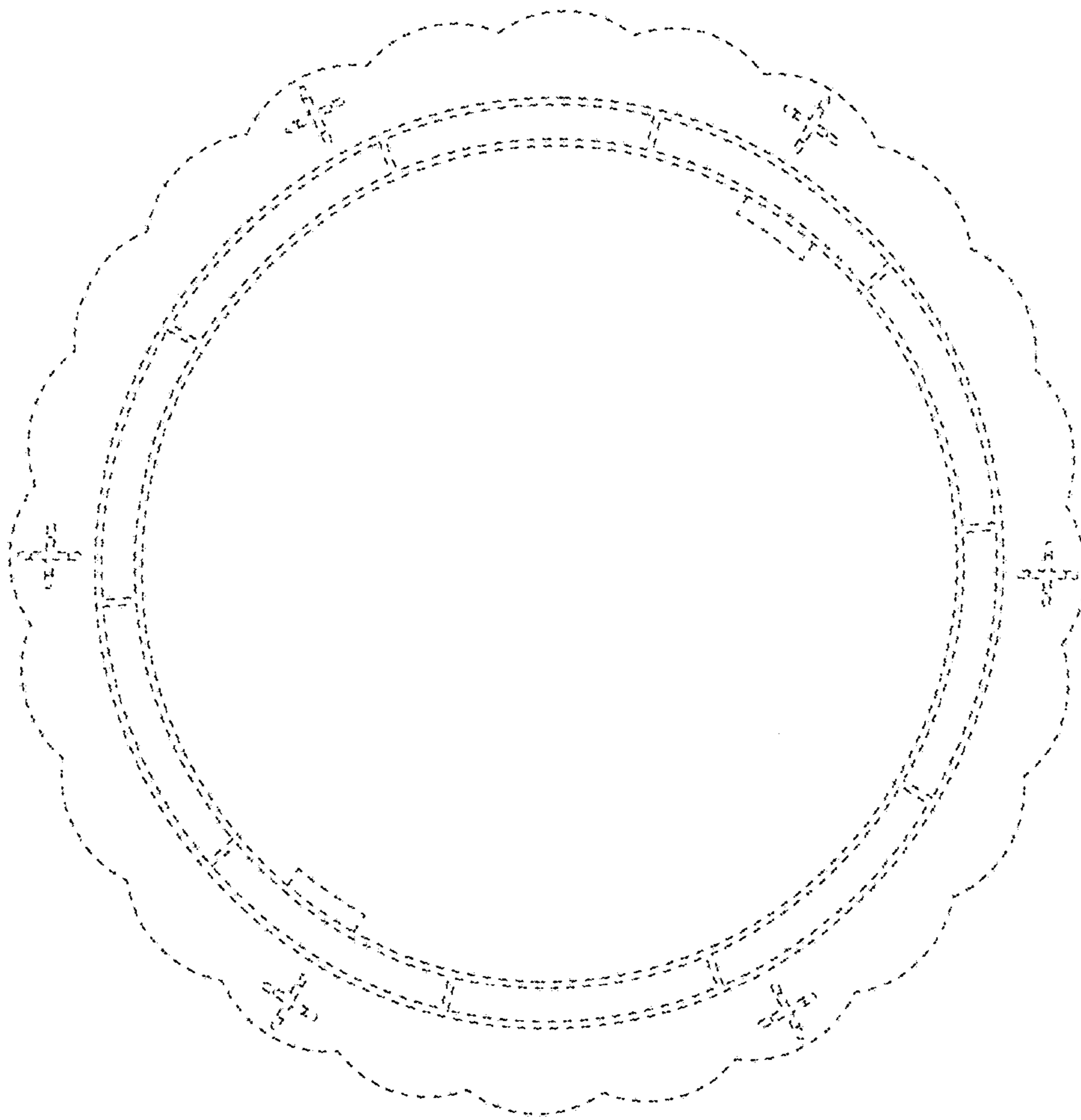
**FIG. 2**



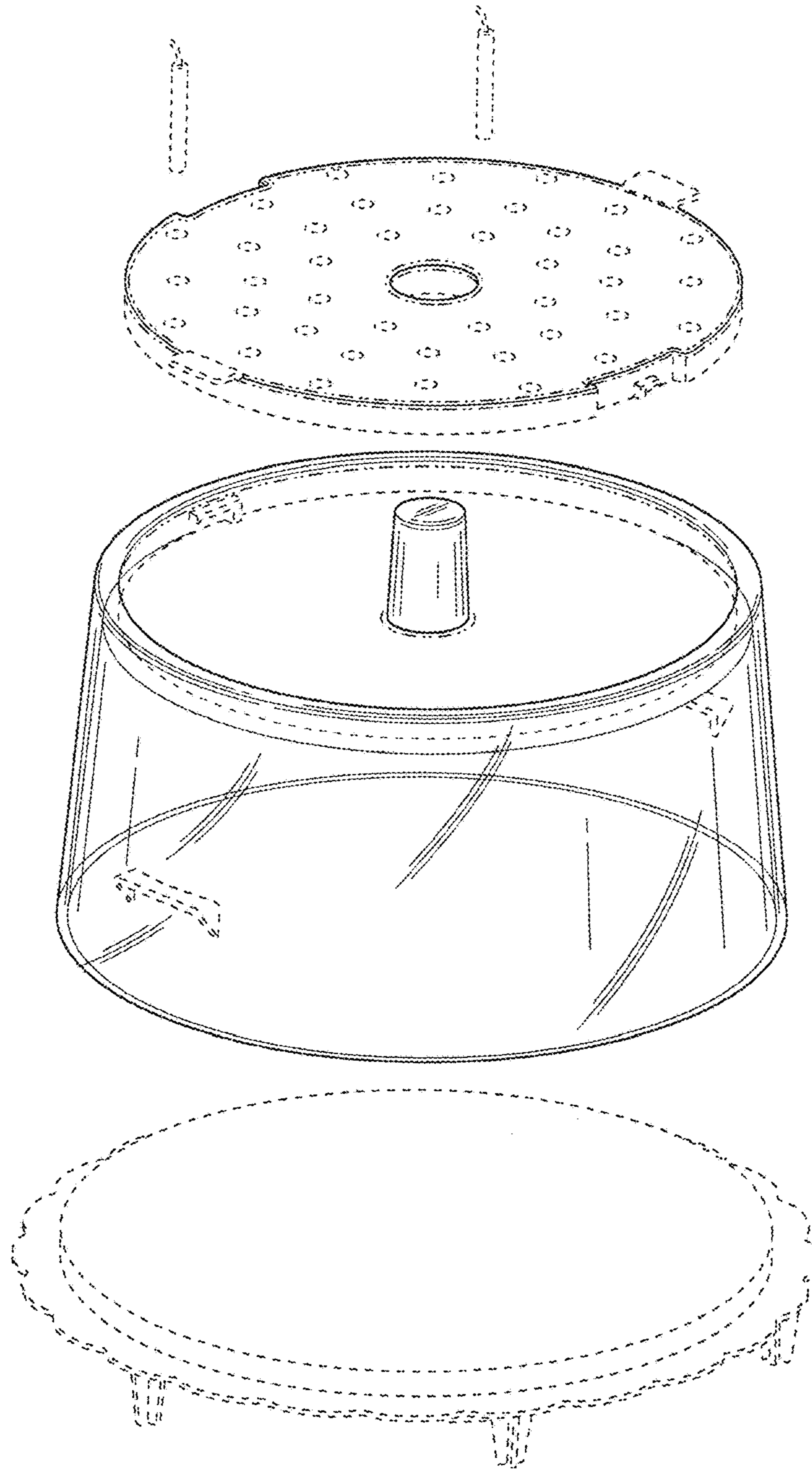
**FIG. 3**



**FIG. 4**



**FIG. 5**



**FIG. 6**