



US00D866271S

(12) **United States Design Patent** (10) **Patent No.:** **US D866,271 S**
Suess et al. (45) **Date of Patent:** **** Nov. 12, 2019**

(54) **BEVERAGE COOLER WITH STORAGE COMPARTMENT**

D734,642 S * 7/2015 Vasbinder D7/605

* cited by examiner

(71) Applicants: **Christon G. Suess**, Paramus, NJ (US);
Jillian Walbroel, Woodland Park, NJ (US);
Jeffrey Steel, Wood Ridge, NJ (US)

Primary Examiner — Terry A Wallace

(74) *Attorney, Agent, or Firm* — Steven E. Shapiro

(72) Inventors: **Christon G. Suess**, Paramus, NJ (US);
Jillian Walbroel, Woodland Park, NJ (US);
Jeffrey Steel, Wood Ridge, NJ (US)

(57) **CLAIM**

The ornamental design for a beverage cooler with storage compartment, as shown and described.

(73) Assignee: **Cotapaxi Custom Design and Manufacturing LLC**, Carlstadt, NJ (US)

DESCRIPTION

(**) Term: **15 Years**

FIG. 1 is a top, front, right side perspective view of a beverage cooler with storage compartment;
FIG. 2 is a bottom, rear, left side perspective view of the beverage cooler with storage compartment;
FIG. 3 is a front plan view of the beverage cooler with storage compartment;
FIG. 4 is a rear plan view of the beverage cooler with storage compartment;
FIG. 5 is a left side plan view of the beverage cooler with storage compartment;
FIG. 6 is a right side plan view of the beverage cooler with storage compartment;
FIG. 7 is a top plan view of the beverage cooler with storage compartment;
FIG. 8 is a bottom plan view of the beverage cooler with storage compartment;
FIG. 9 is a top, front, right side perspective view of a beverage cooler with storage compartment opened;
FIG. 10 is a bottom, rear, left side perspective view of the beverage cooler with storage compartment opened; and,
FIG. 11 is a right side plan view of the beverage cooler with storage compartment opened.

(21) Appl. No.: **29/654,942**

(22) Filed: **Jun. 28, 2018**

(51) **LOC (12) Cl.** **07-01**

(52) **U.S. Cl.**
USPC **D7/607**

(58) **Field of Classification Search**
USPC D7/605–607, 709, 710, 629, 628;
D3/283, 289, 271.1, 271.9; D9/668, 600,
D9/430
CPC F25D 2331/804; F25D 3/08; F25D 3/06;
B65D 30/08; B65D 81/3858; B65D
81/3823; B65D 81/3888; B65D 81/18;
B65D 81/3897; B65D 81/3886; B65D
8/18; B65D 31/04

See application file for complete search history.

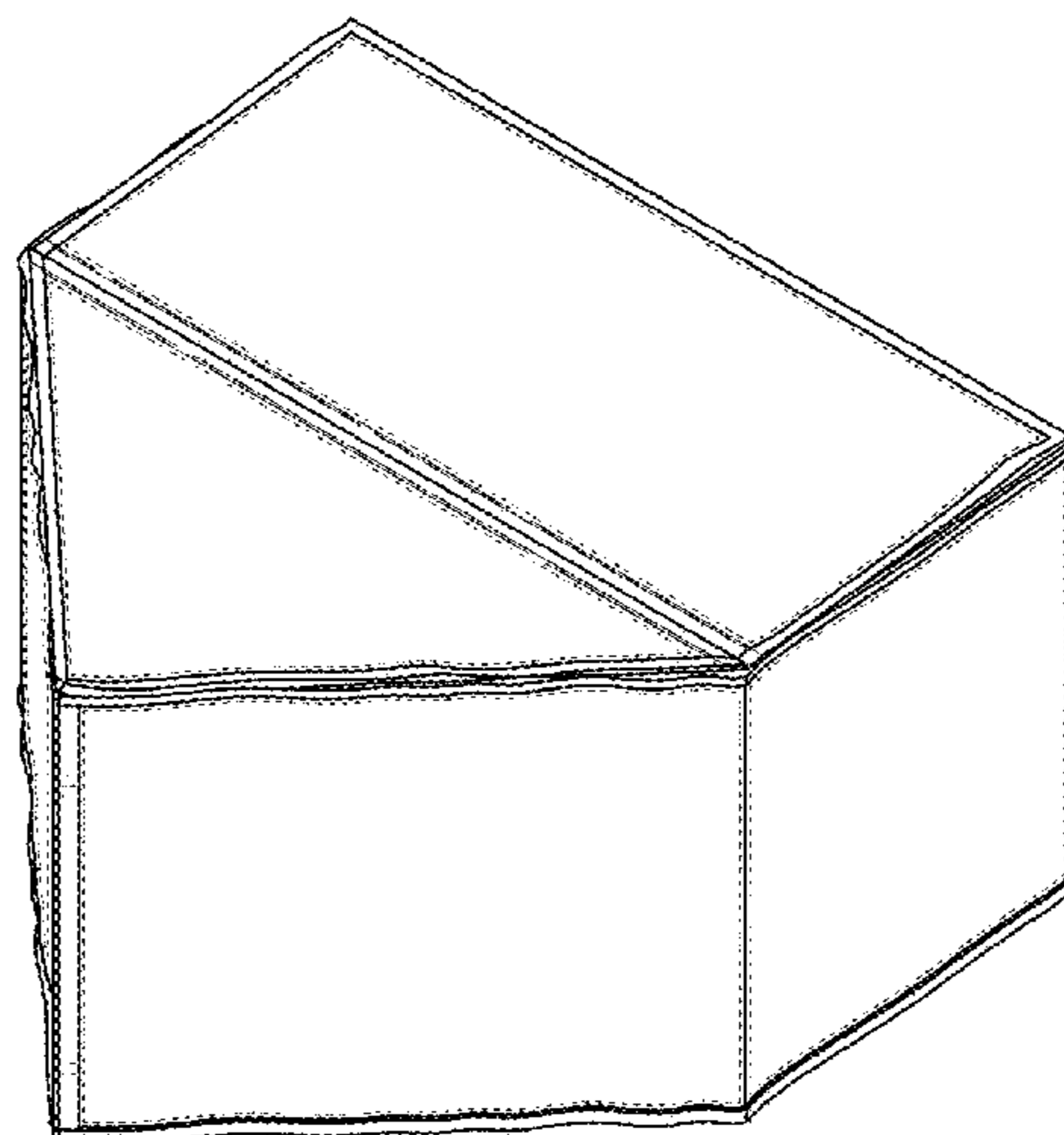
The broken lines and the areas encompassed by broken lines represent portions of the beverage cooler with storage compartment that form no part of the claimed design.

(56) **References Cited**

U.S. PATENT DOCUMENTS

D261,213 S * 10/1981 Perethian D3/289
D406,759 S * 3/1999 Lawrence D9/416

1 Claim, 11 Drawing Sheets



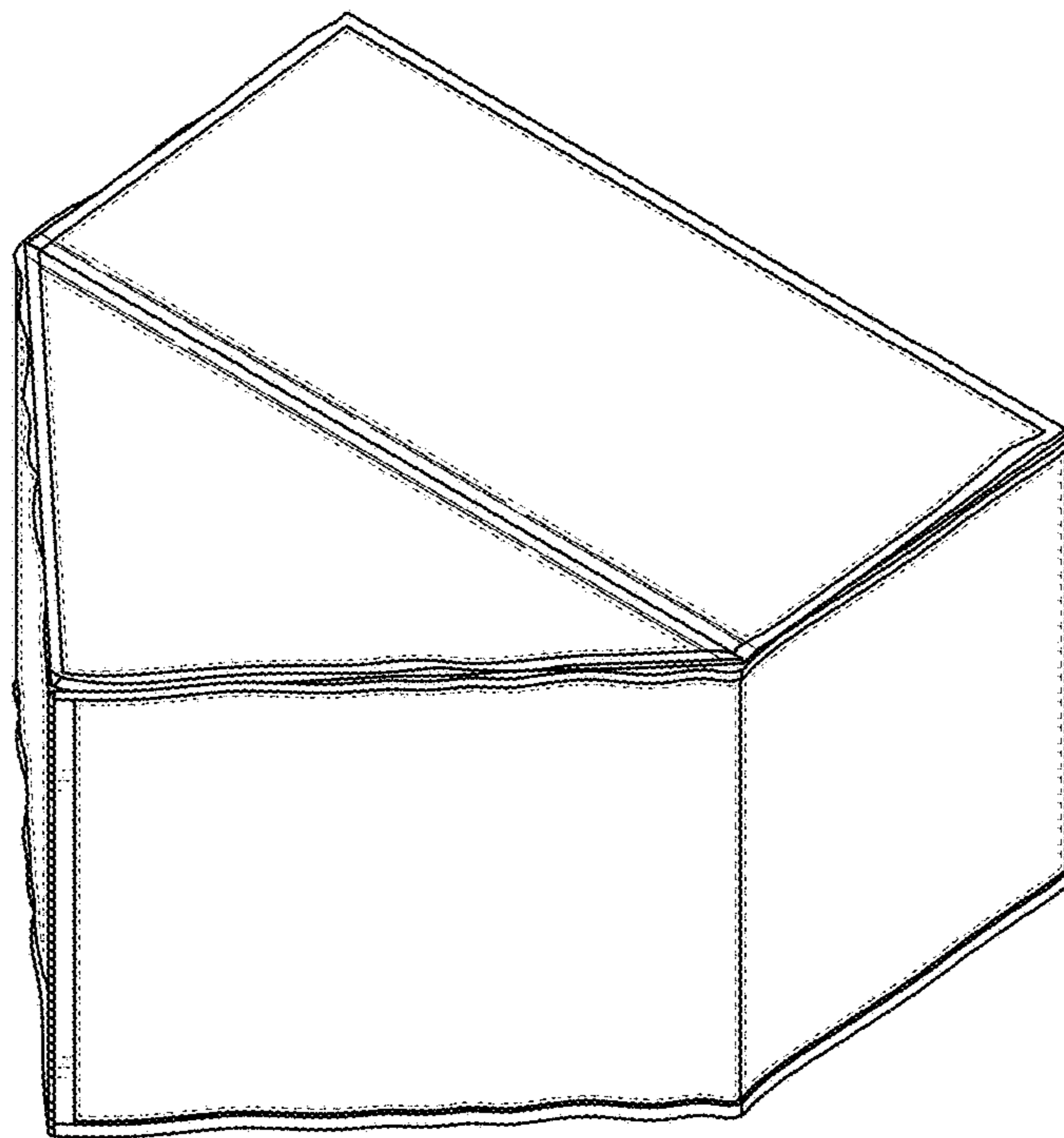


FIG. 1

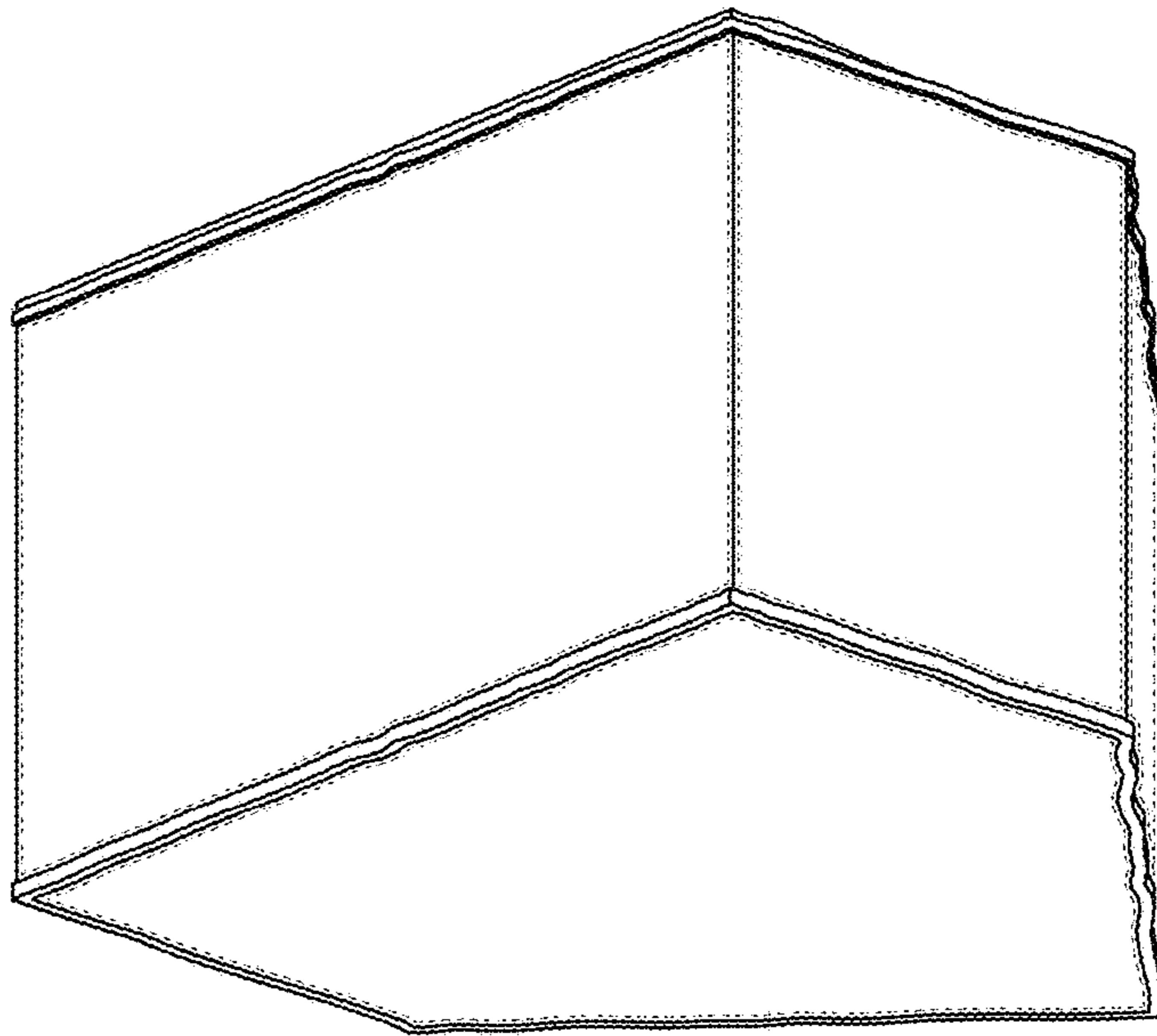


FIG. 2

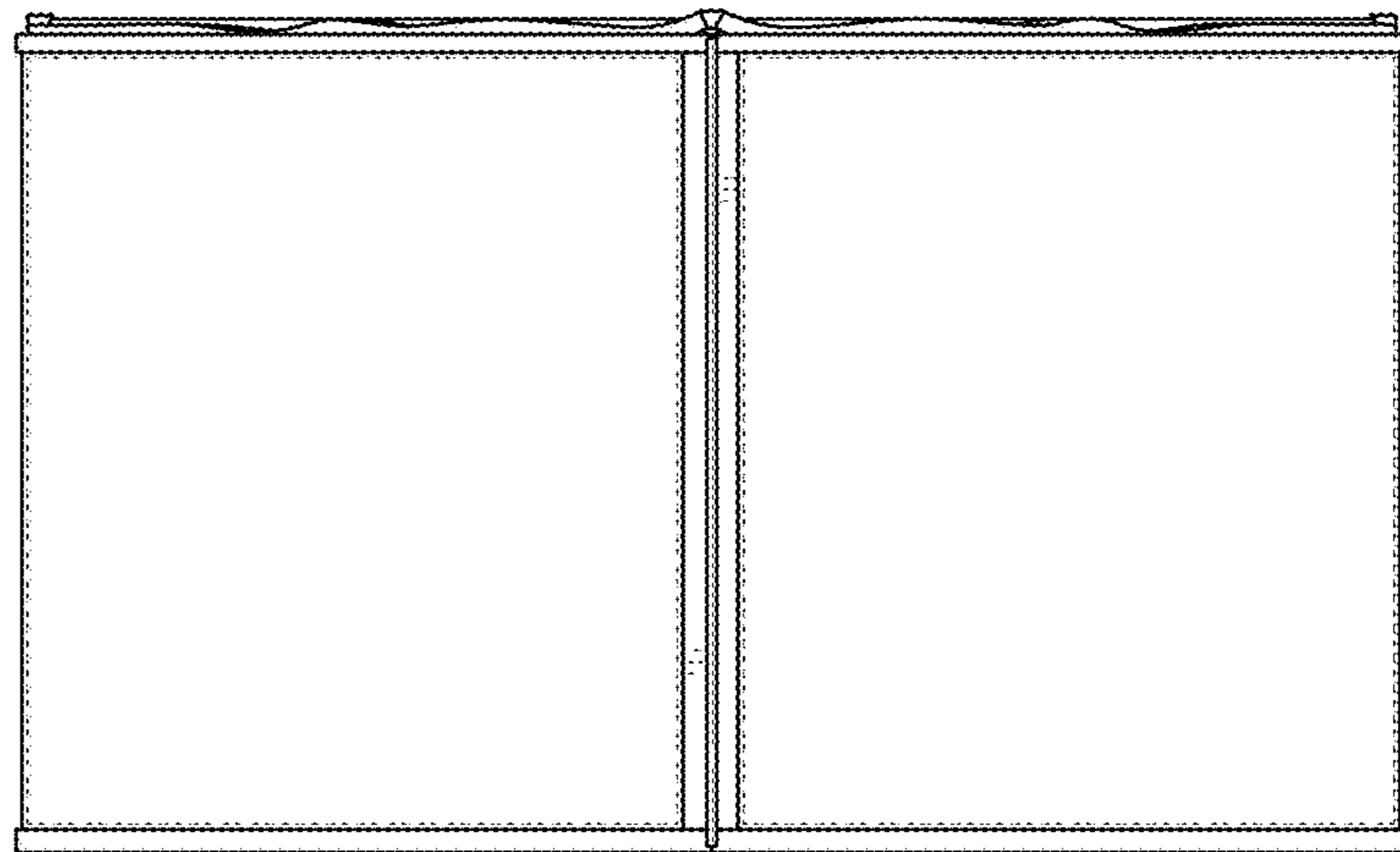


FIG. 3

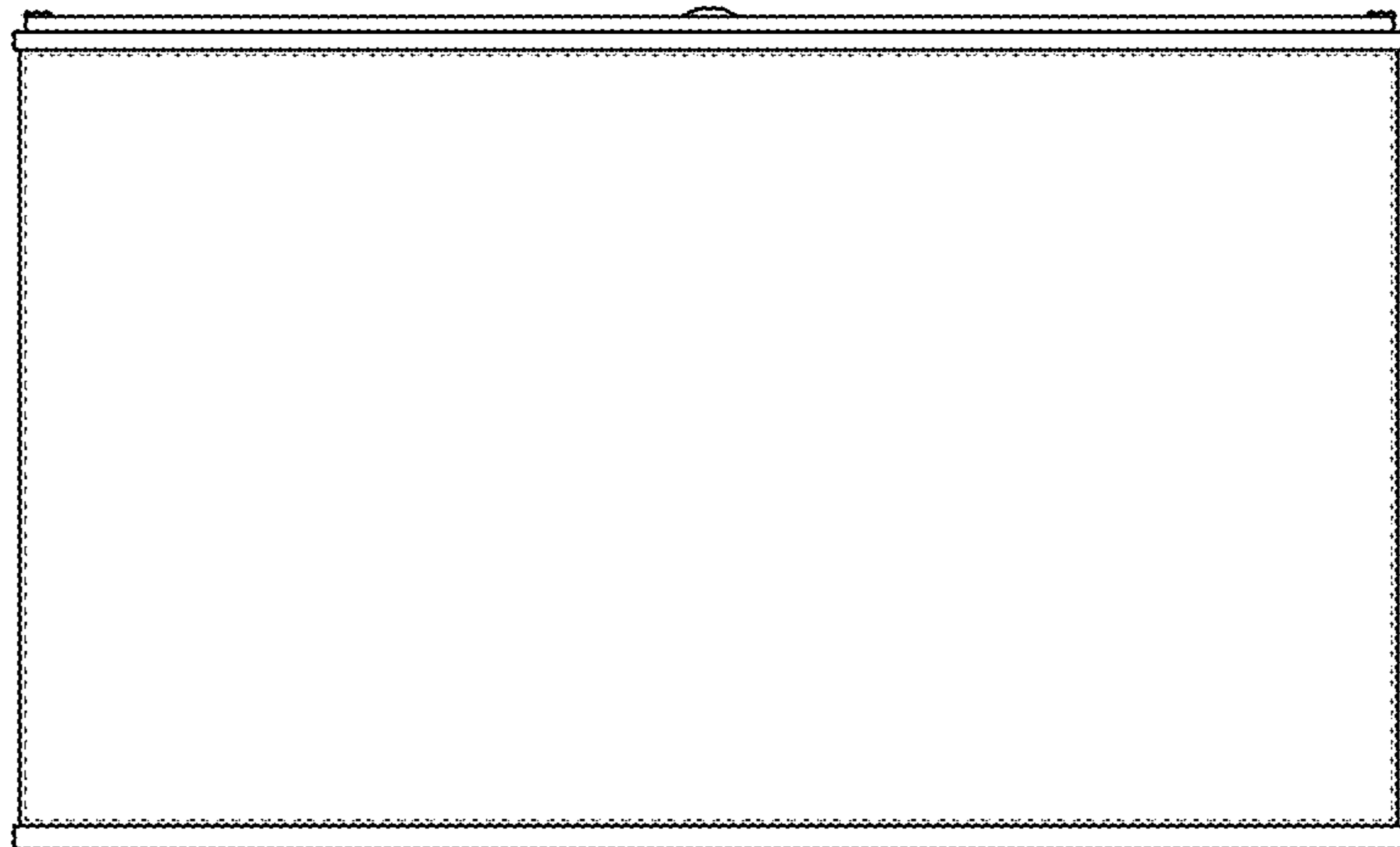


FIG. 4

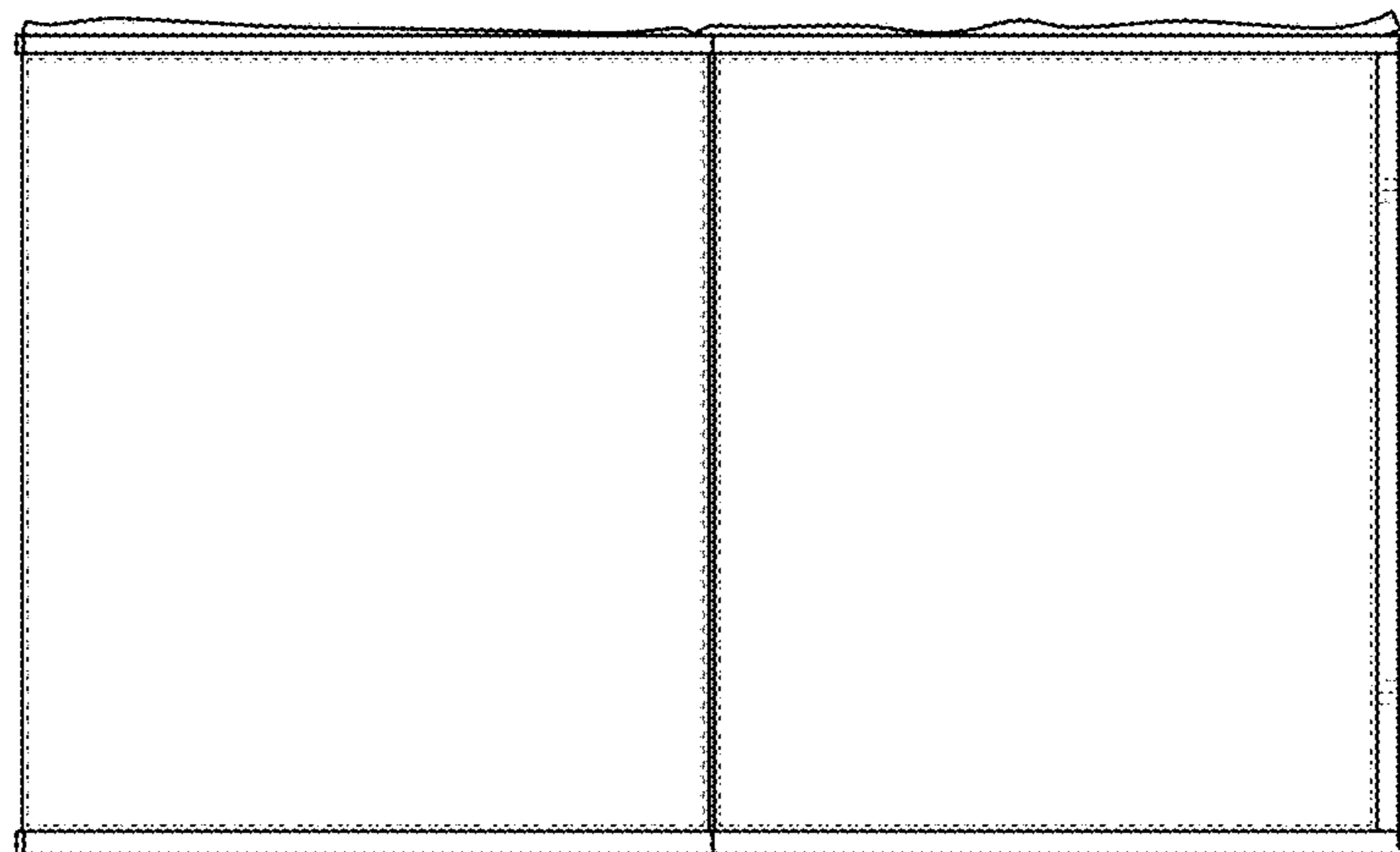


FIG. 5

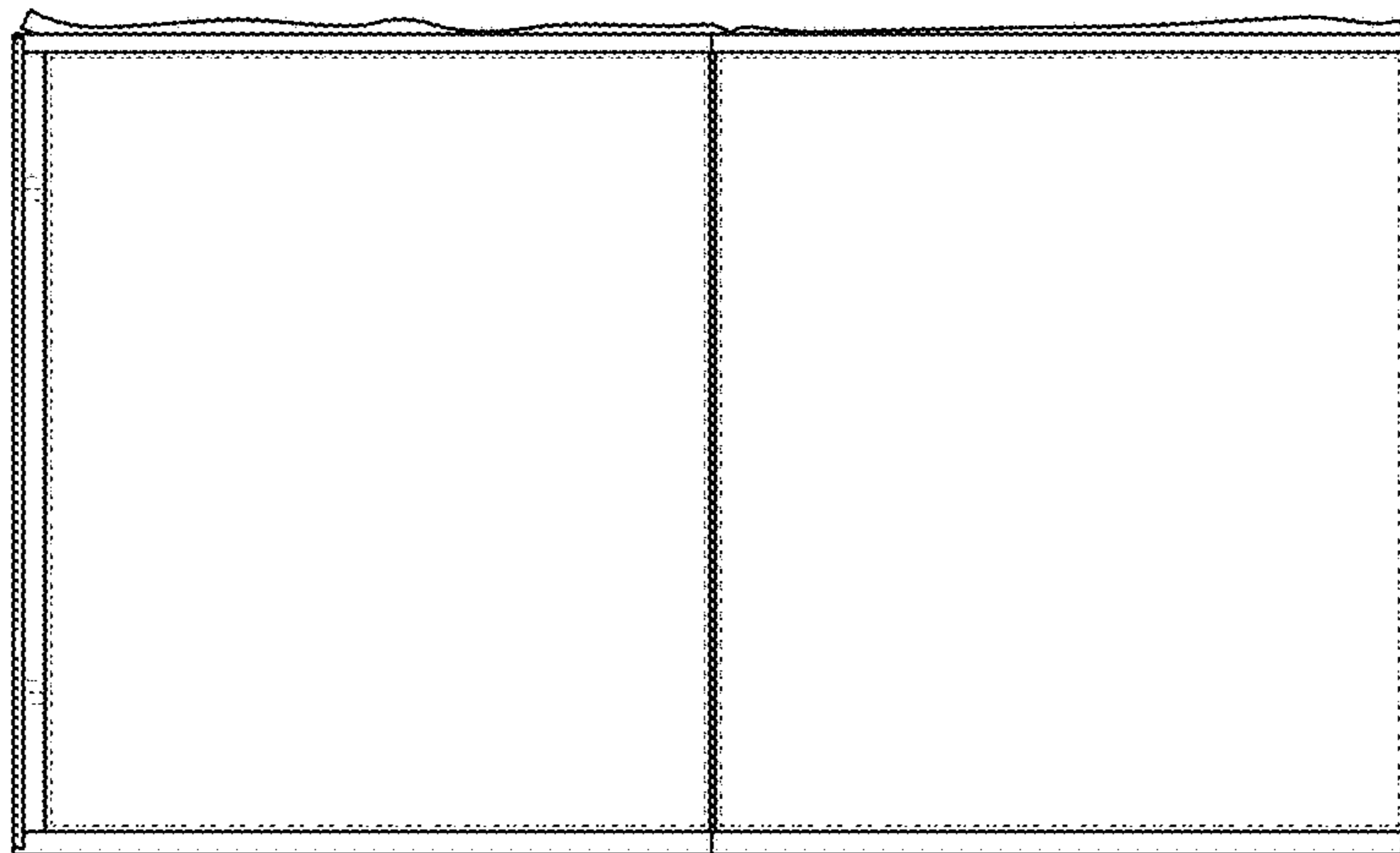


FIG. 6

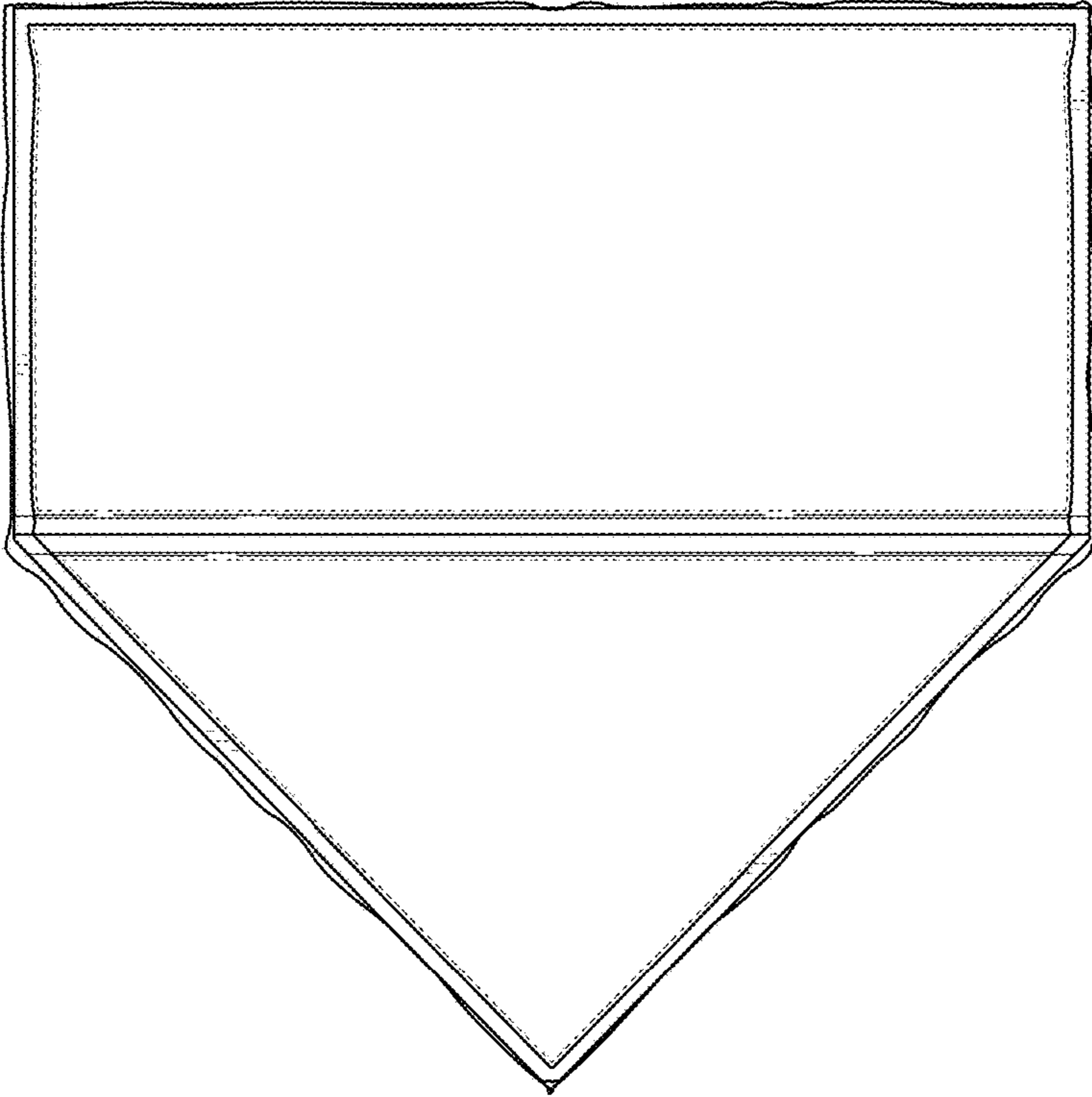


FIG. 7

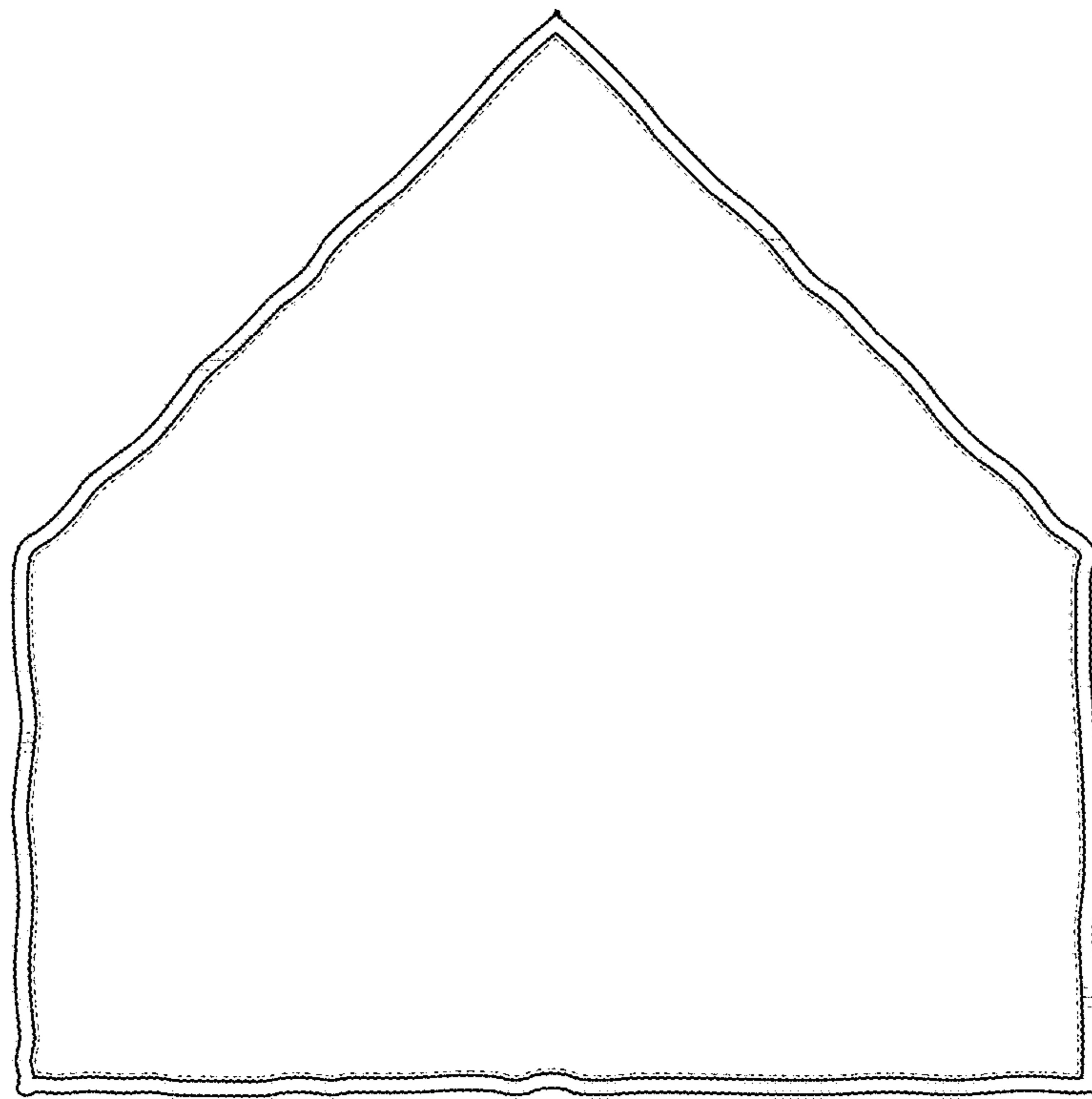


FIG. 8

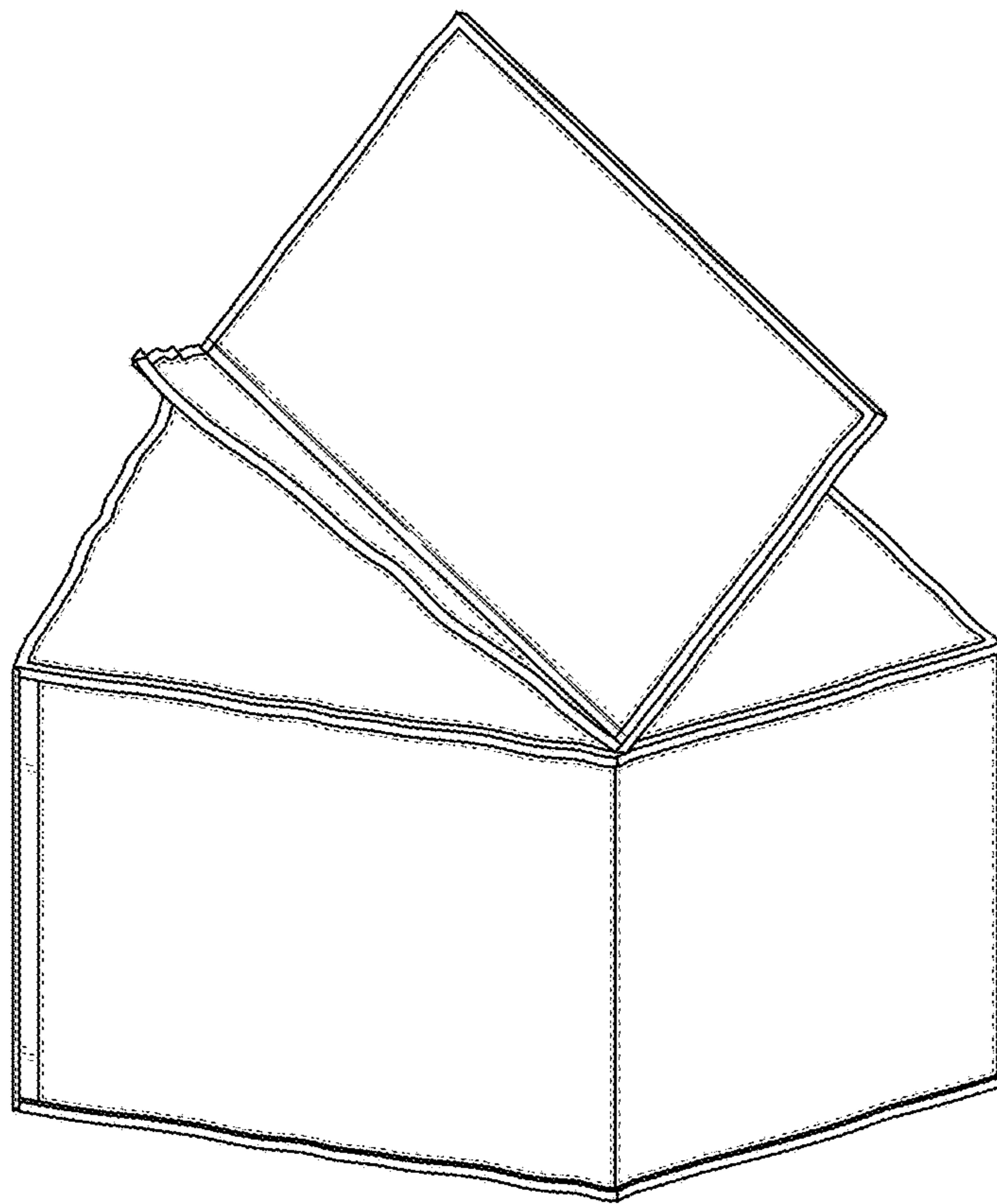


FIG. 9

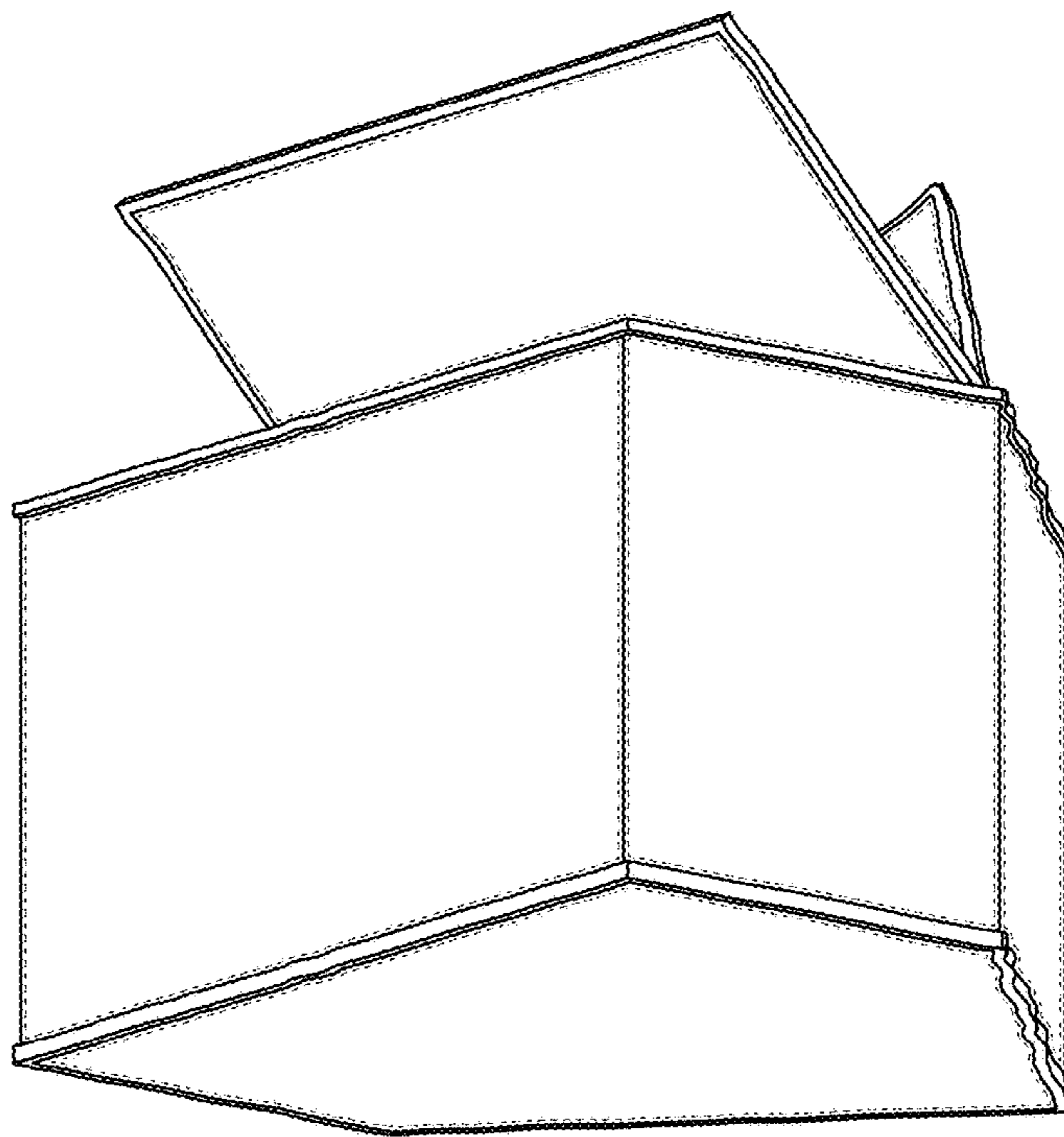


FIG. 10

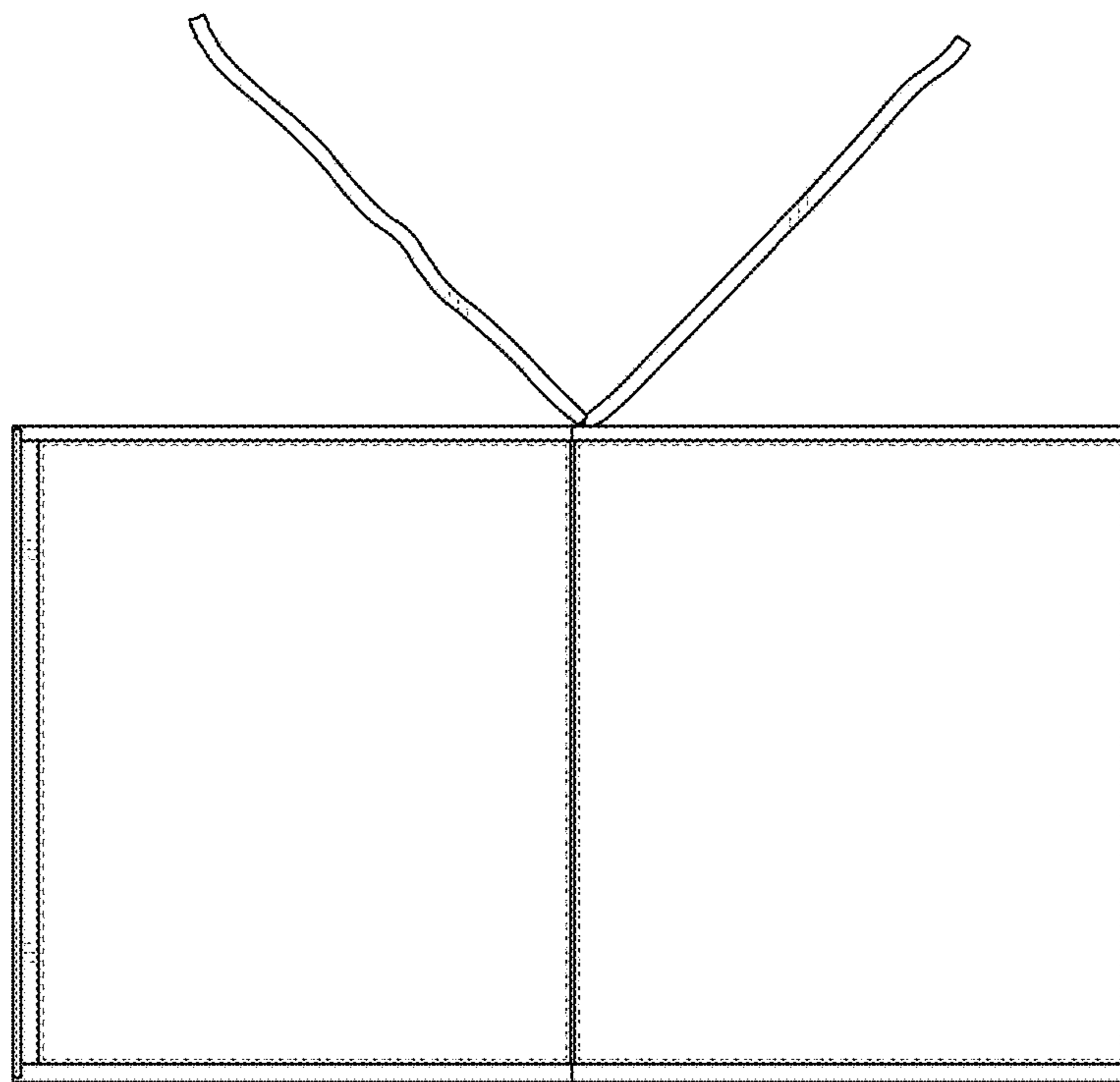


FIG. 11