

US00D866268S

(12) **United States Design Patent**
Tan

(10) **Patent No.:** **US D866,268 S**

(45) **Date of Patent:** **** Nov. 12, 2019**

(54) **PORTABLE HEAT PRESERVATION LUNCH BOX**

2011/0114526 A1* 5/2011 Neumann A45C 11/20
206/459.5
2016/0278494 A1* 9/2016 Churro Monteiro .. A45C 13/10

(71) Applicant: **Jingtao Tan**, Hunan (CN)

* cited by examiner

(72) Inventor: **Jingtao Tan**, Hunan (CN)

Primary Examiner — Terry A Wallace

(**) Term: **15 Years**

(74) *Attorney, Agent, or Firm* — Wayne & Ken, LLC;
Tony Hom

(21) Appl. No.: **29/644,963**

(22) Filed: **Apr. 23, 2018**

(51) **LOC (12) Cl.** **07-01**

(52) **U.S. Cl.**

USPC **D7/605**; D7/709

(58) **Field of Classification Search**

USPC D7/605–608, 709, 710, 629, 630;
D3/201, 203.1–203.8, 205, 206, 273, 276

CPC A45C 11/20; A45F 3/46; B65D 81/38;
B65D 81/3834; B65D 81/3813; B65D
81/3816; B65D 81/3818; B65D 81/3828;
B65D 25/04; B65D 42/14; A47G 23/04;
A47J 41/0072; A47J 41/0088

See application file for complete search history.

(56) **References Cited**

U.S. PATENT DOCUMENTS

9,414,701 B1* 8/2016 Yen A45C 11/20
2010/0308039 A1* 12/2010 Miros A45C 11/20
220/4.22

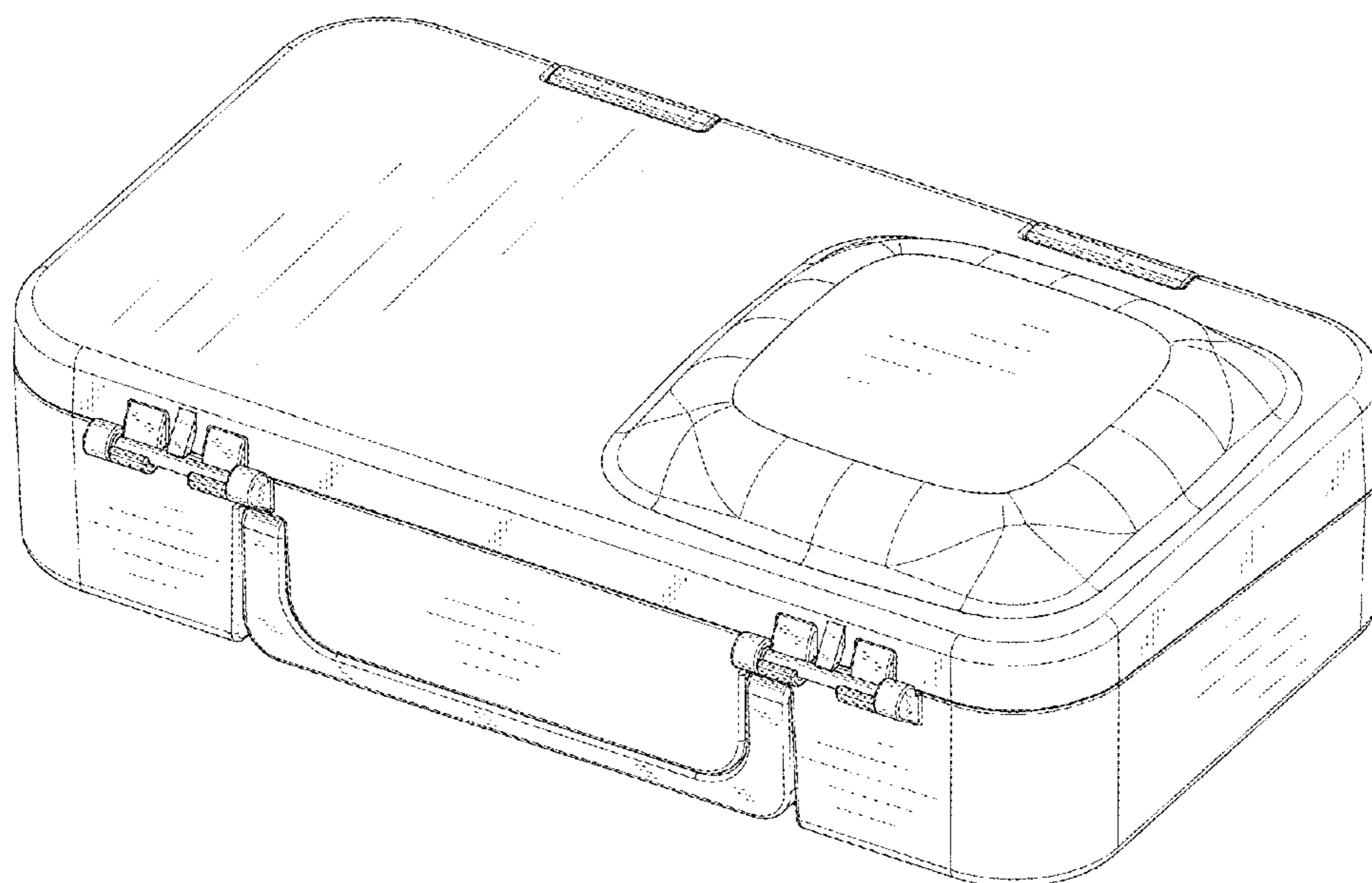
(57) **CLAIM**

The ornamental design for a portable heat preservation lunch box, as shown and described.

DESCRIPTION

FIG. 1 is a perspective view of a portable heat preservation lunch box showing my new design;
FIG. 2 is a front view thereof;
FIG. 3 is a back view thereof;
FIG. 4 is a left view thereof;
FIG. 5 is a right view thereof;
FIG. 6 is a top view thereof;
FIG. 7 is a bottom view thereof; and,
FIG. 8 is an open state view thereof.

1 Claim, 8 Drawing Sheets



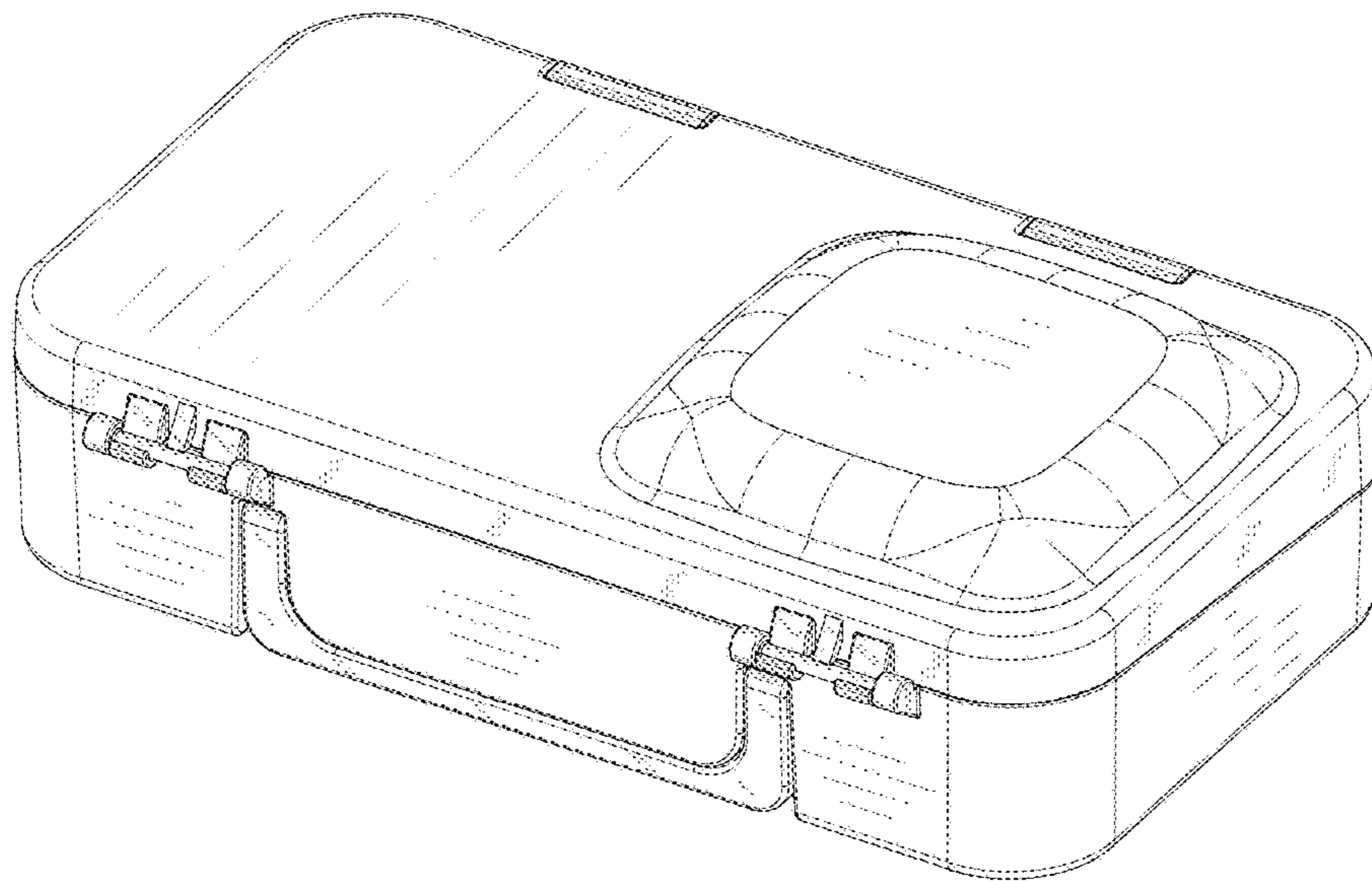


FIG. 1

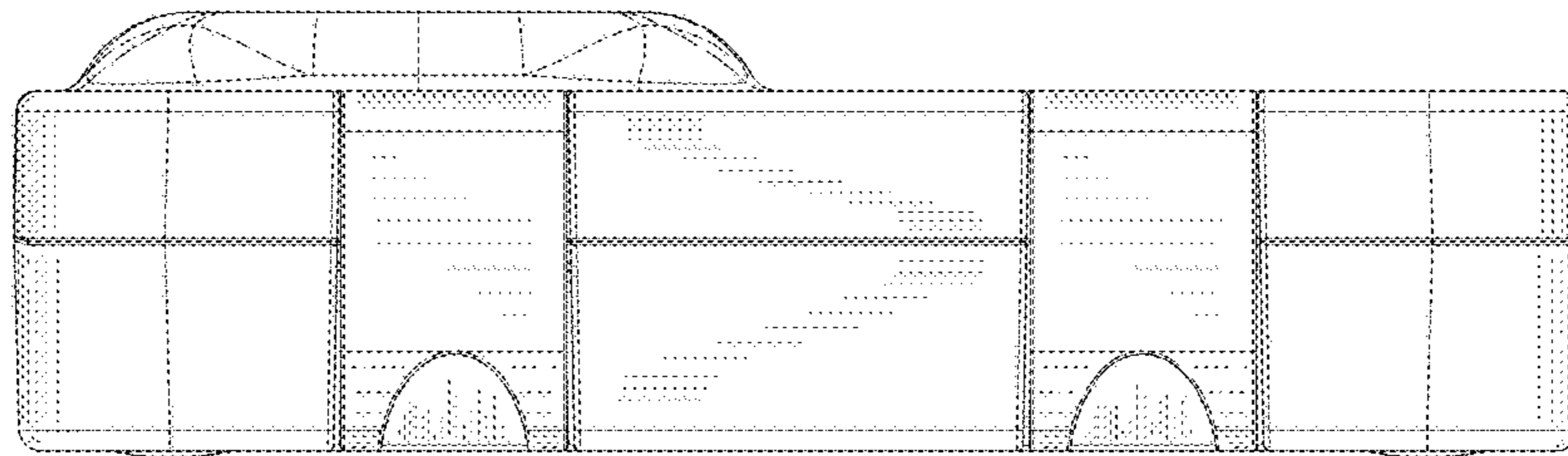


FIG.2

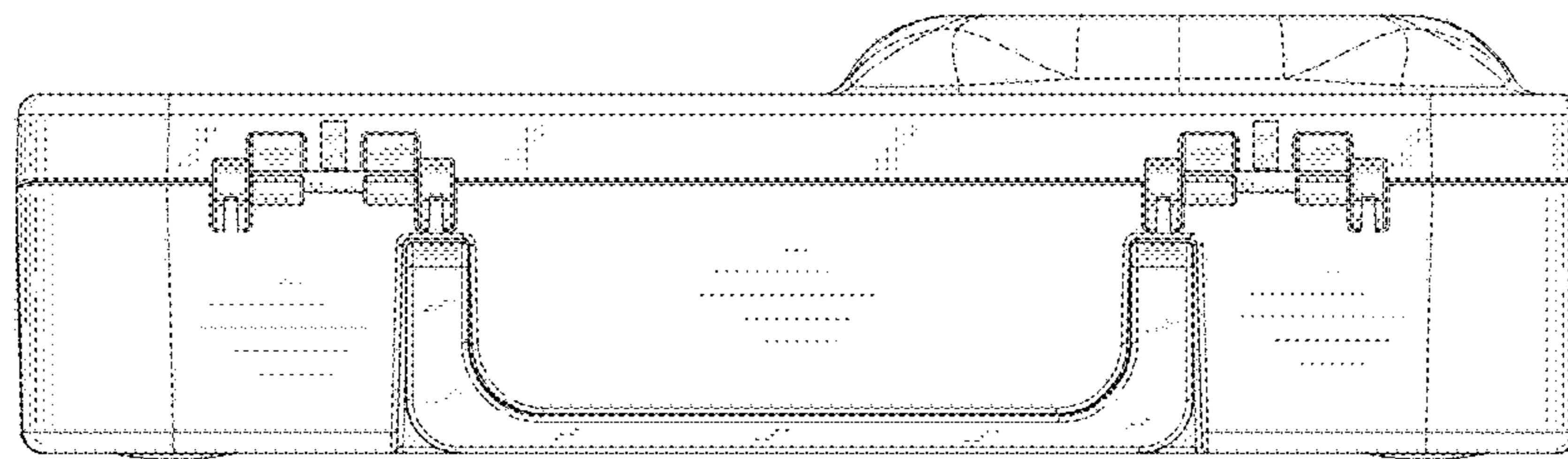


FIG.3

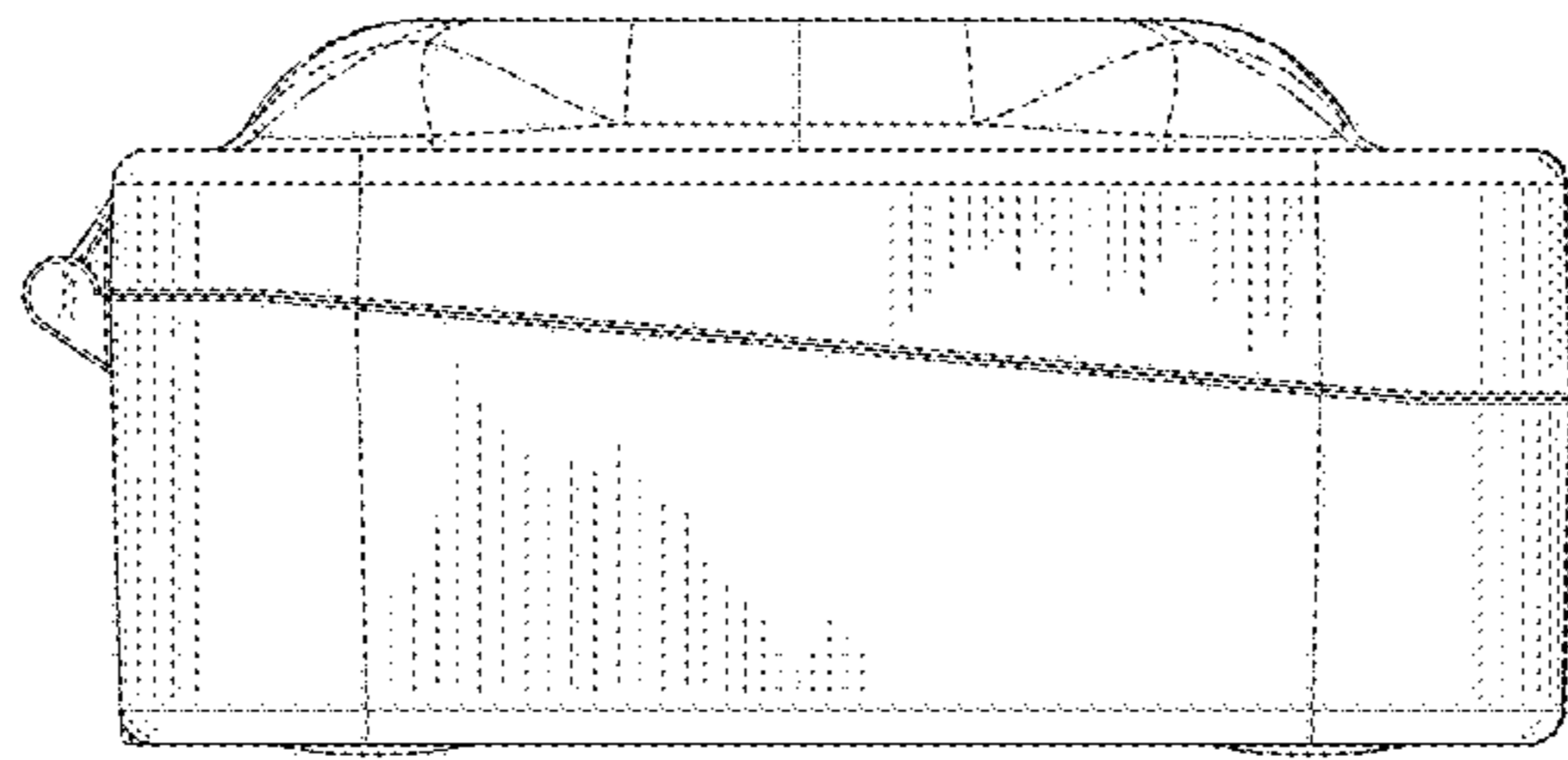


FIG.4

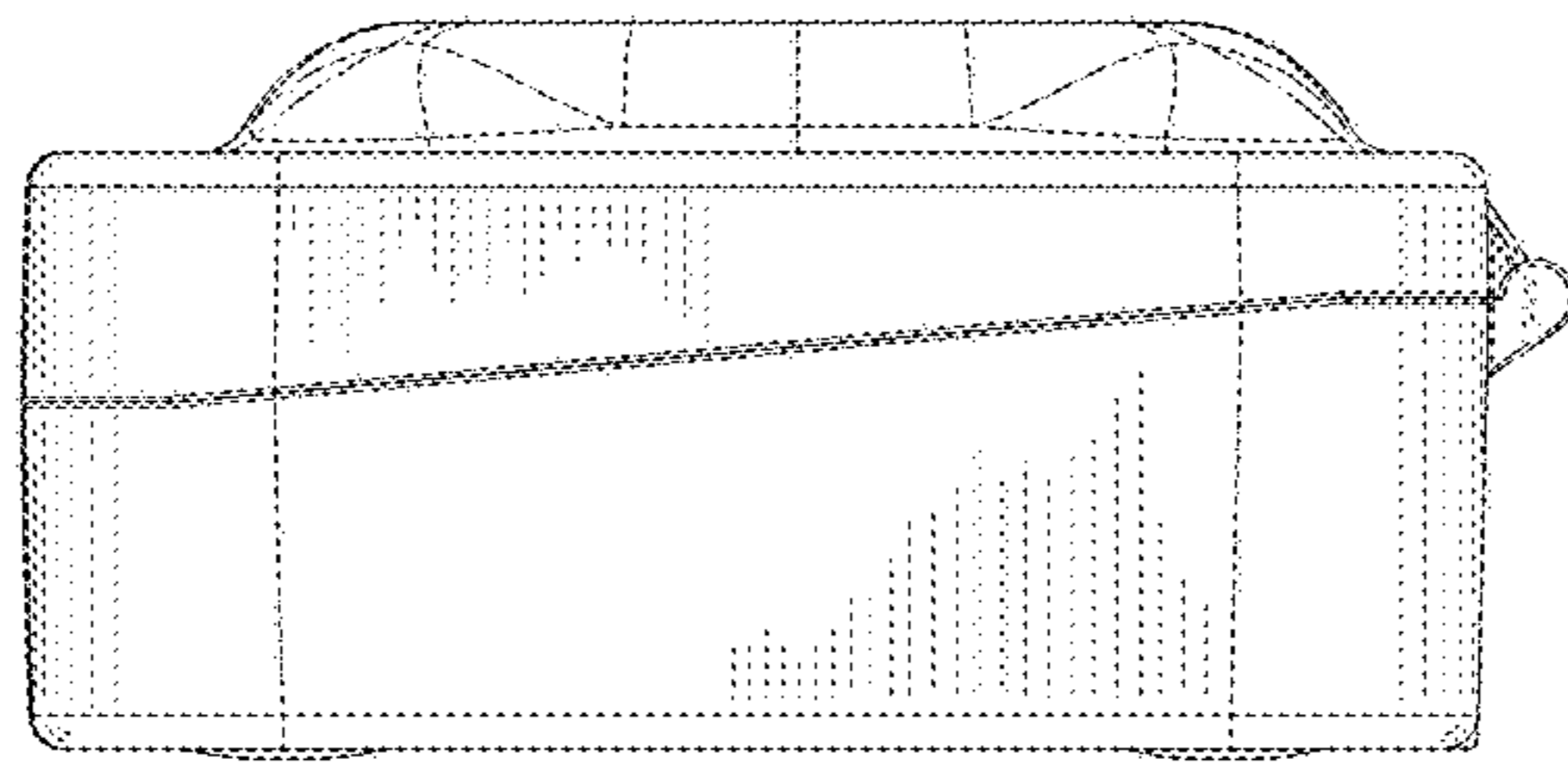


FIG.5

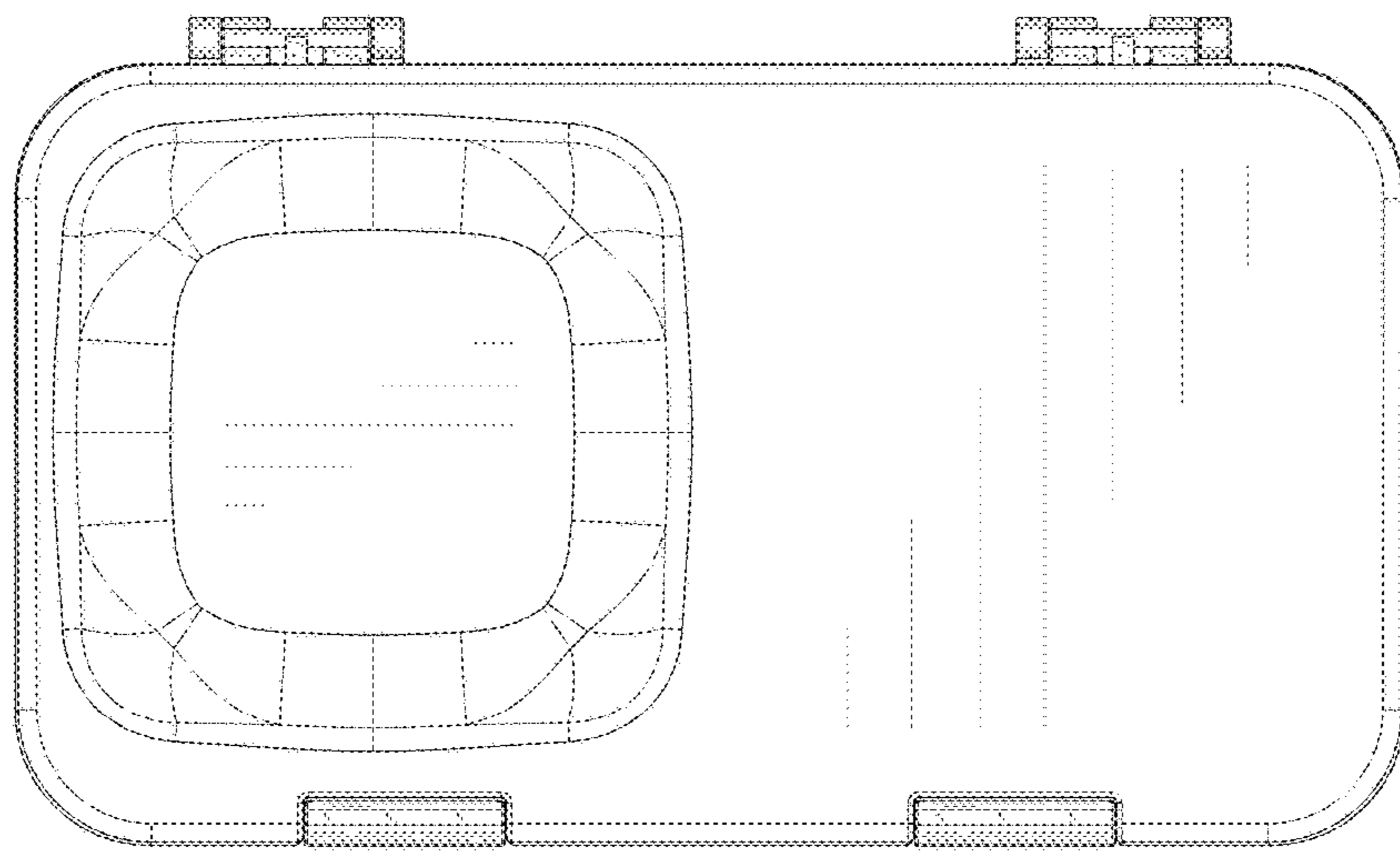


FIG. 6

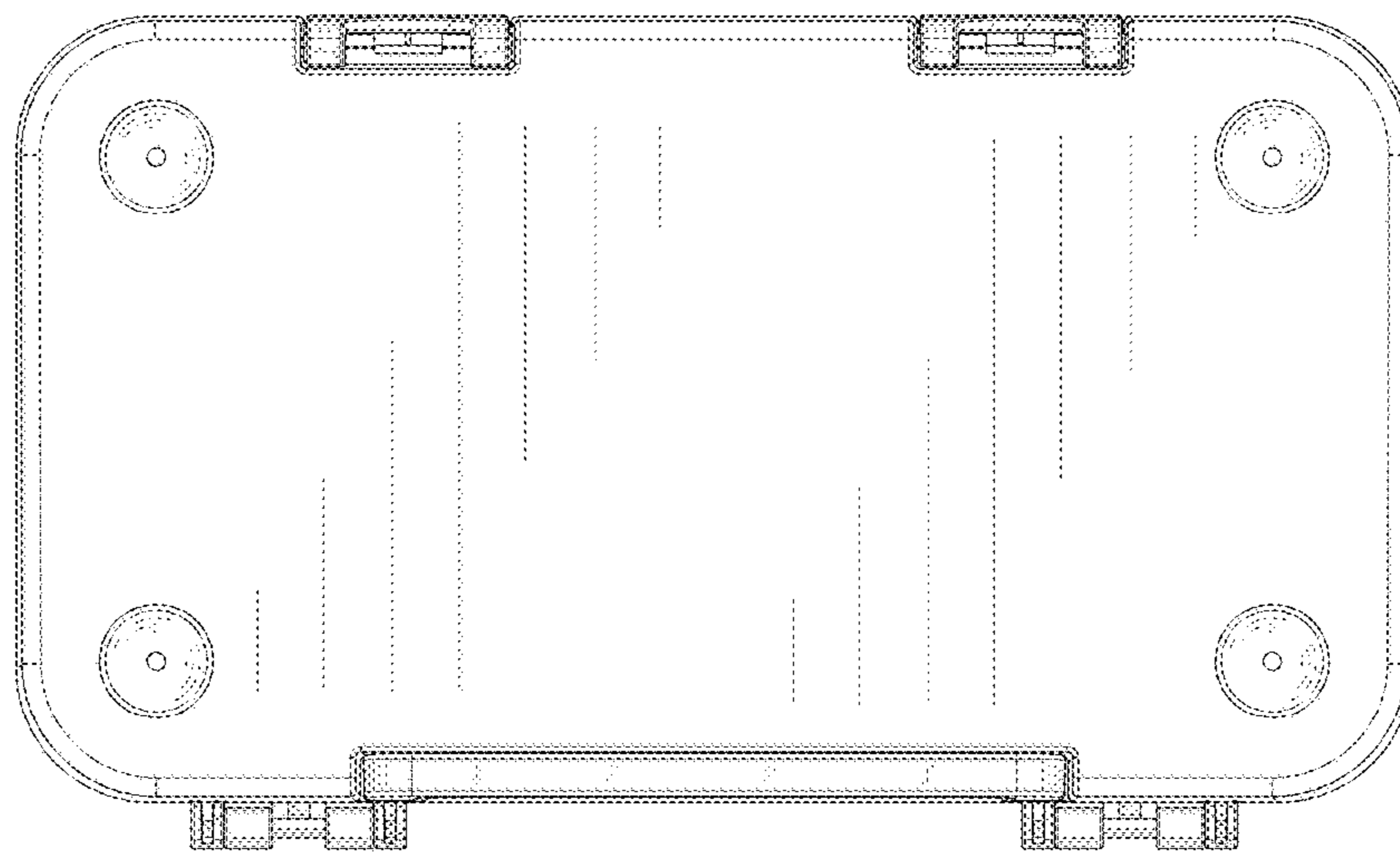


FIG.7

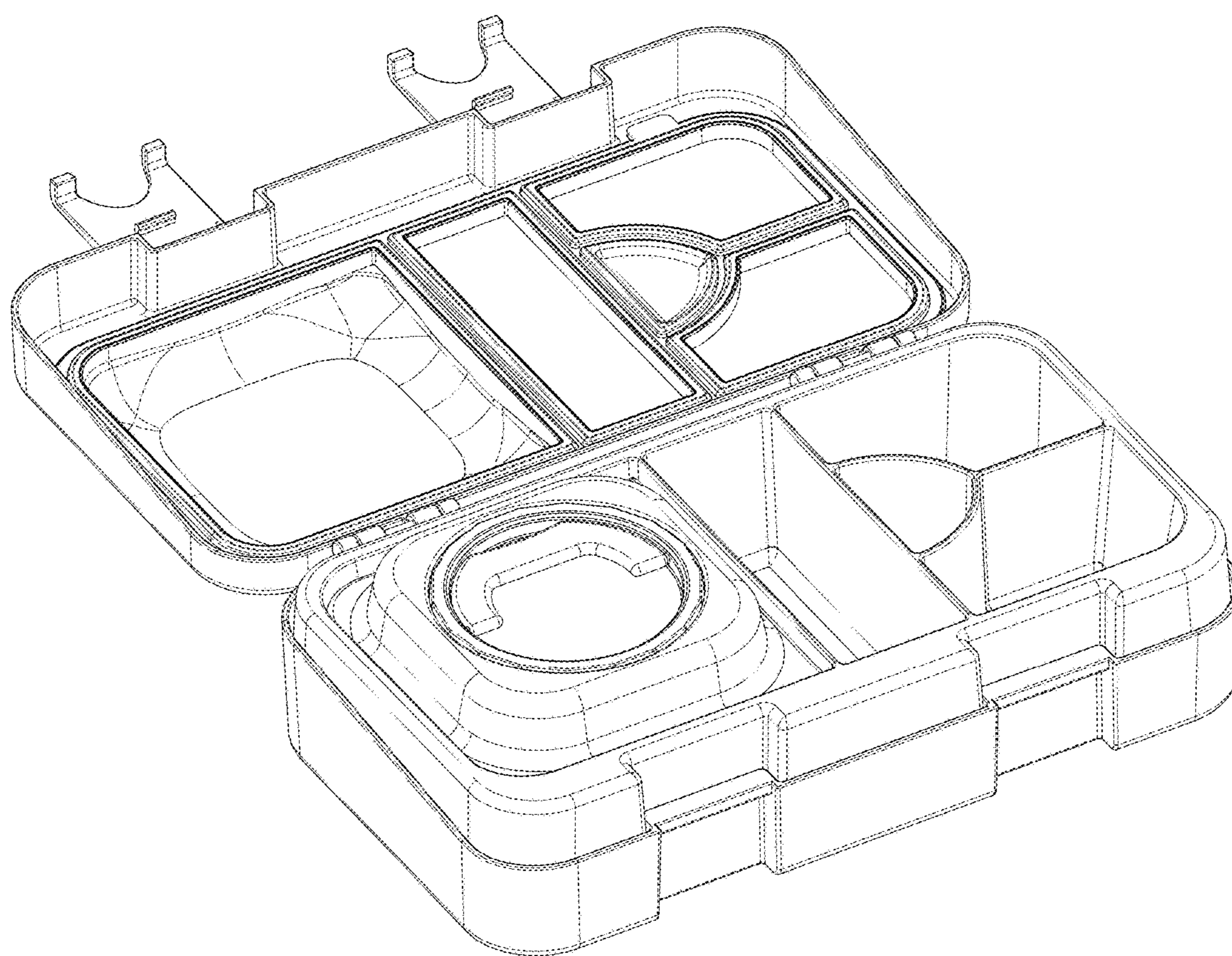


FIG.8