

US00D866265S

(12) **United States Design Patent** (10) **Patent No.:** **US D866,265 S**
Bishop (45) **Date of Patent:** **** Nov. 12, 2019**

(54) **CHIP AND DIP TRAY INCLUDING LARGE LID, LARGE BOWL, SMALL LID AND SMALL BOWL**

(71) Applicant: **Mischa Bishop**, Muscle Shoals, AL (US)

(72) Inventor: **Mischa Bishop**, Muscle Shoals, AL (US)

(**) Term: **15 Years**

(21) Appl. No.: **29/618,866**

(22) Filed: **Sep. 25, 2017**

(51) **LOC (12) Cl.** **07-01**

(52) **U.S. Cl.**
USPC **D7/557**

(58) **Field of Classification Search**
USPC 206/561; D7/557, 541, 555, 566, 584, D7/585, 587
CPC A47G 23/06; A47G 19/02; G09B 21/00; G09B 21/003
See application file for complete search history.

(56) **References Cited**

U.S. PATENT DOCUMENTS

1,949,285	A *	2/1934	Porter	A47G 23/06
					108/27
D231,302	S *	4/1974	Lukawski	D7/541
4,848,579	A *	7/1989	Barnes	A47G 19/02
					206/508
D304,658	S *	11/1989	Mattei	D7/505
D339,429	S *	9/1993	Reid	D30/121
D344,660	S *	3/1994	Krupa	D7/539
5,366,103	A *	11/1994	Abernathy	A47G 19/02
					220/23.83
D381,472	S *	7/1997	Catalano	D30/130
5,743,210	A *	4/1998	Lampe	A01K 5/0114
					119/51.5

(Continued)

Primary Examiner — Cynthia R Underwood
(74) *Attorney, Agent, or Firm* — Dennen IP Law, LLC

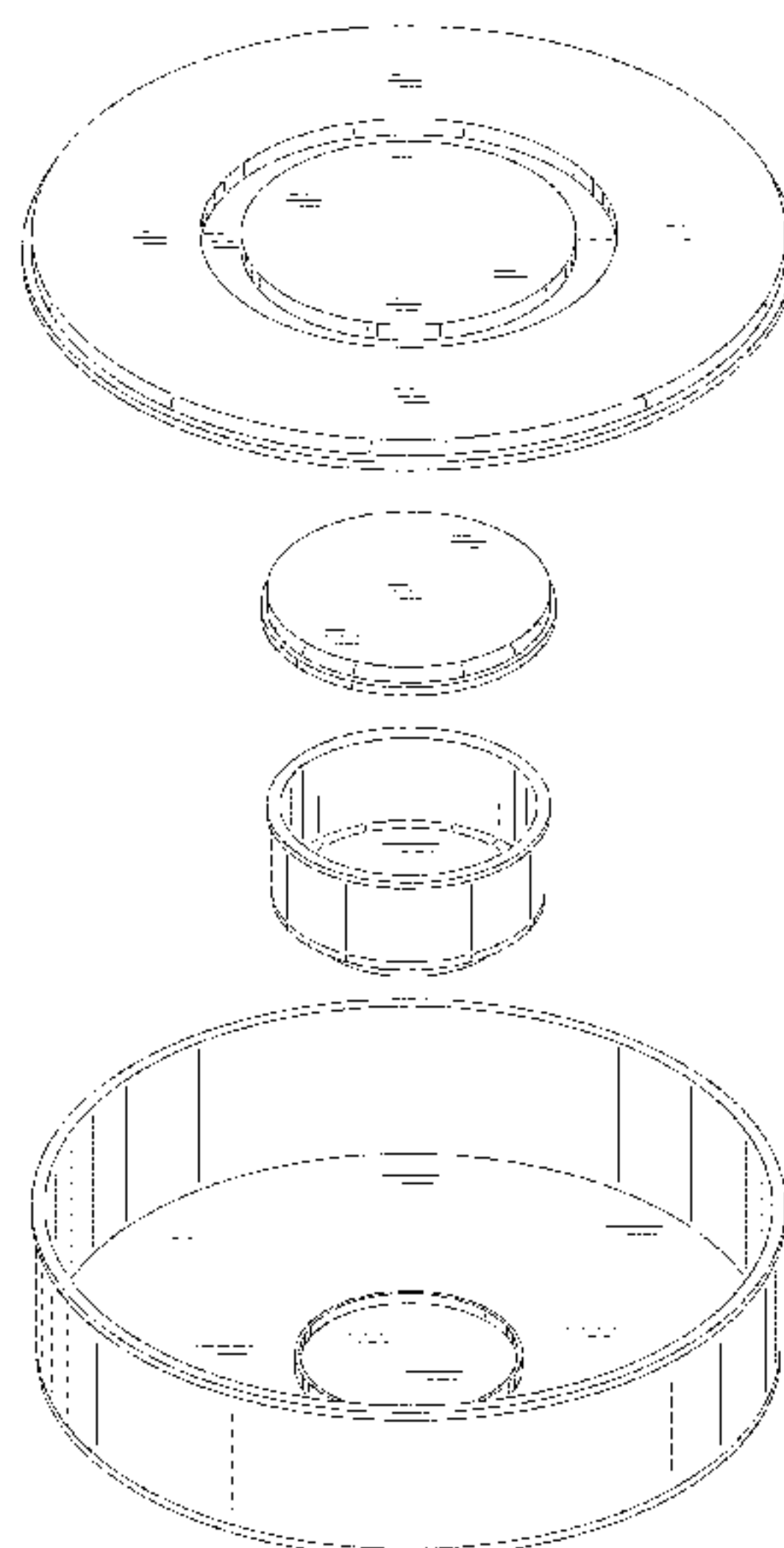
(57) **CLAIM**

The ornamental design for a chip and dip tray including large lid, large bowl, and small bowl, as shown and described.

DESCRIPTION

FIG. 1 is an exploded top perspective view of a chip and dip tray including large lid, large bowl, small lid and small bowl, showing my new design,
 FIG. 2 is an exploded bottom perspective view thereof,
 FIG. 3 is a top perspective view showing bowls assembled,
 FIG. 4 is a top perspective view showing a large lid inverted and a small lid in an open position,
 FIG. 5 is a top plan view of the large lid,
 FIG. 6 is a side elevational view thereof,
 FIG. 7 is a bottom view thereof,
 FIG. 8 is a sectional view thereof, taken along line 8-8 of FIG. 5,
 FIG. 9 is a top plan view of small lid,
 FIG. 10 is a side elevational view thereof,
 FIG. 11 is a bottom view thereof,
 FIG. 12 is a sectional view thereof, taken along line 12-12 of FIG. 9,
 FIG. 13 is a top plan view of the small bowl,
 FIG. 14 is a side elevational view thereof,
 FIG. 15 is a bottom view thereof,
 FIG. 16 is a sectional view thereof taken along line 16-16 of FIG. 13,
 FIG. 17 is a top plan view of the large bowl,
 FIG. 18 is a side elevational view thereof,
 FIG. 19 is a bottom view thereof,
 FIG. 20 is a sectional view thereof taken along line 20-20 of FIG. 17; and,
 FIG. 21 is a sectional view of the assembled bowls and lids, taken along line 21-21 of FIG. 3.

1 Claim, 10 Drawing Sheets



(56)

References Cited

U.S. PATENT DOCUMENTS

6,116,455	A *	9/2000	Rossman	B65D 81/365	D737,102	S *	8/2015	Hand	D7/542
					220/23.83	D742,698	S *	11/2015	Kellow, Jr.	D7/553.8
6,729,472	B2 *	5/2004	Stucke	A47G 19/23	D745,806	S *	12/2015	Hand	D7/549
					206/515	D747,151	S *	1/2016	Liming	D7/553.6
D527,954	S *	9/2006	Roth	D7/557	D747,221	S *	1/2016	Changpan	D9/425
7,380,412	B2 *	6/2008	Roth	A47J 41/0044	9,265,370	B2 *	2/2016	Kellow, Jr.	A47G 19/065
					62/457.2	D750,939	S *	3/2016	Kellow, Jr.	D7/557
D627,607	S *	11/2010	Roth	D7/629	D761,659	S *	7/2016	Schlief	D7/553.8
7,874,449	B1 *	1/2011	Studee	A47G 19/02	9,545,165	B2 *	1/2017	Roth	A47J 41/0044
					206/219	D781,659	S *	3/2017	Kellow, Jr.	D7/553.8
8,006,369	B2 *	8/2011	Shew	B65D 1/36	10,092,084	B1 *	10/2018	Celebrero	A45F 5/00
					264/553	10,154,746	B2 *	12/2018	de Vries	A47G 23/06
8,807,368	B1 *	8/2014	Riedel	A47G 23/06	10,184,668	B2 *	1/2019	Sanquist	F24C 15/12
					206/514	2005/0229793	A1 *	10/2005	Wengrovsky	A47G 19/02
8,857,802	B1 *	10/2014	Geier	A47G 19/02						99/483
					269/9	2009/0200316	A1 *	8/2009	Kovacevich	A47G 23/06
D730,727	S *	6/2015	Chen	D9/500						220/575
						2009/0200701	A1 *	8/2009	Kovacevich	A47G 23/06
											264/250

* cited by examiner

FIG. 1

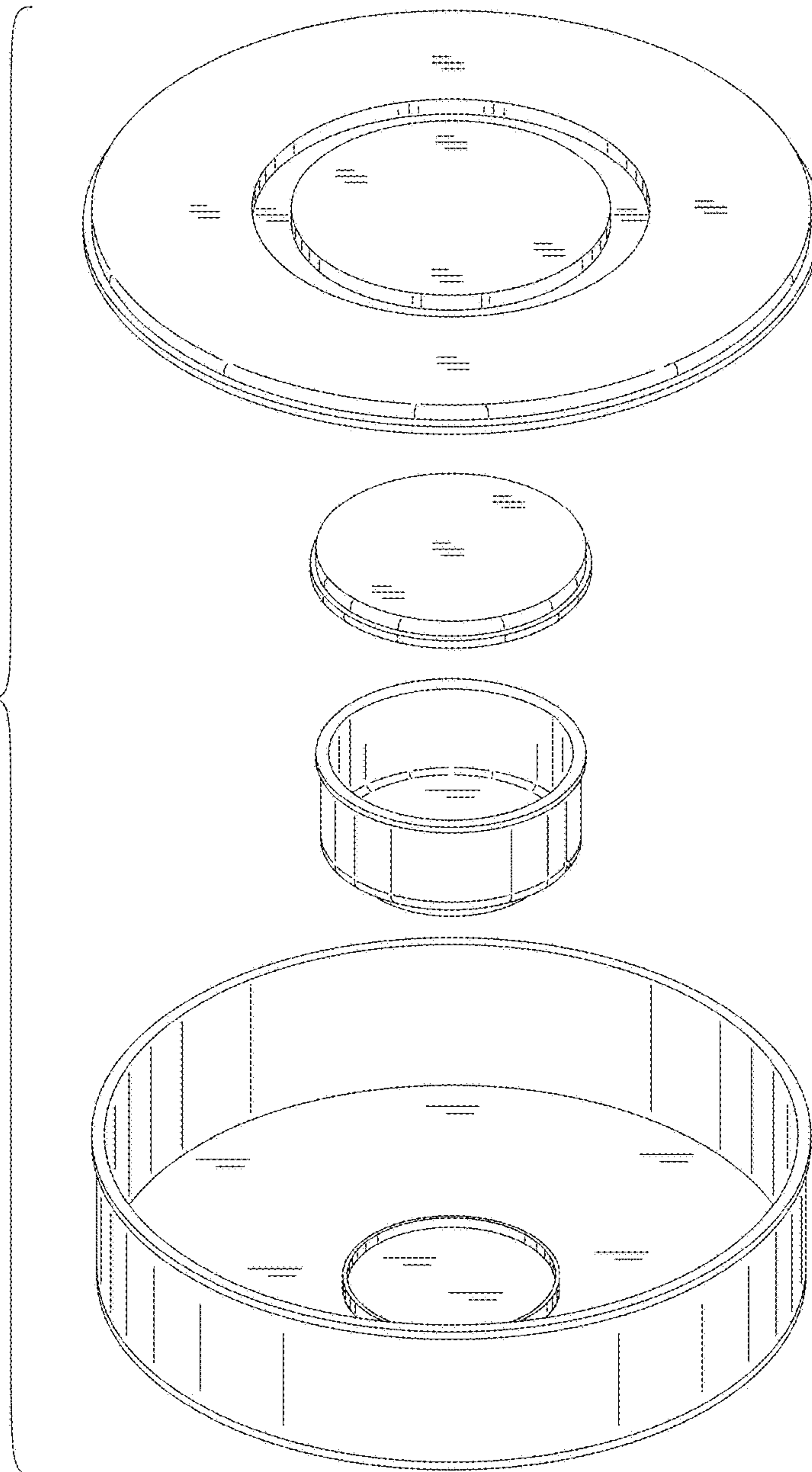
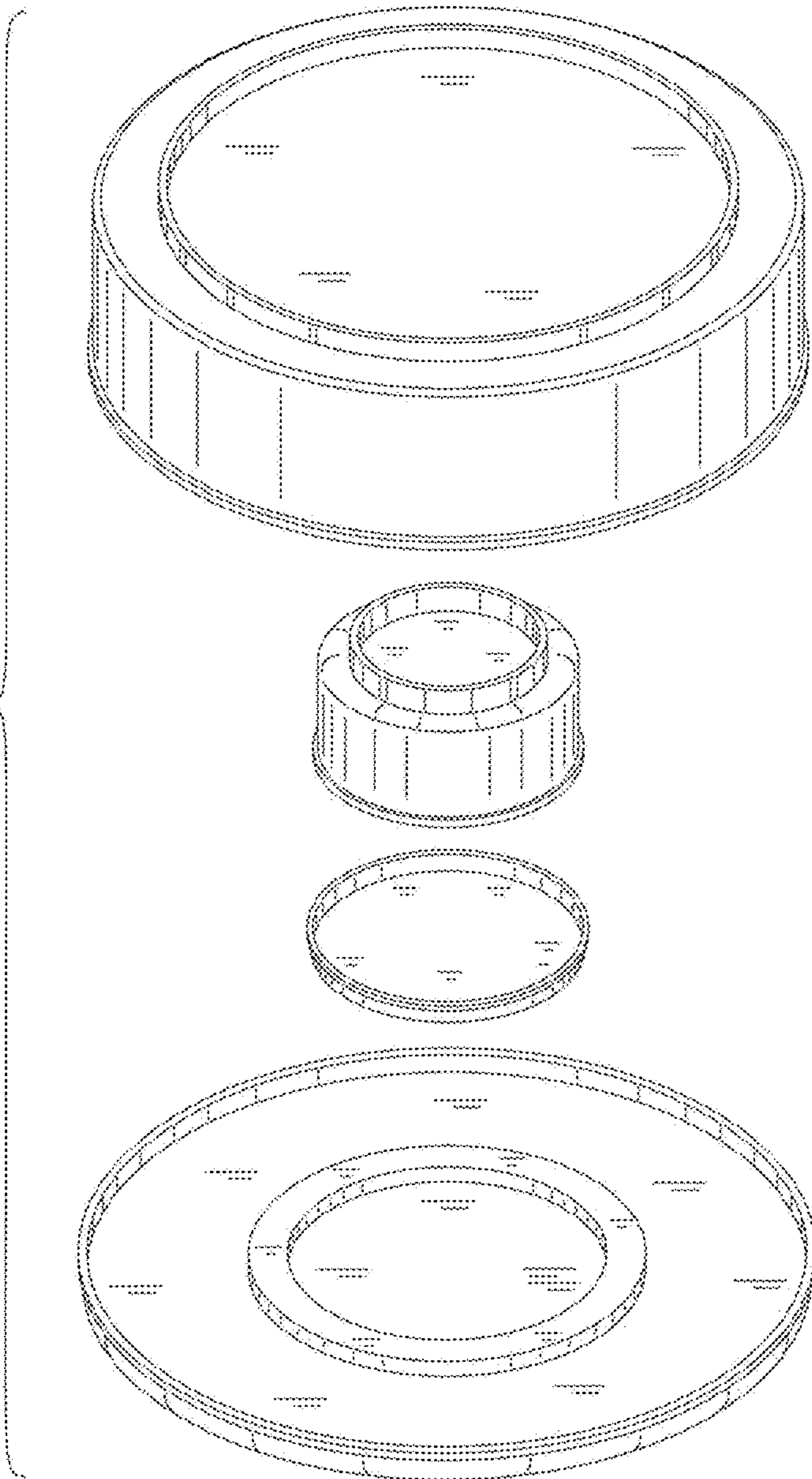
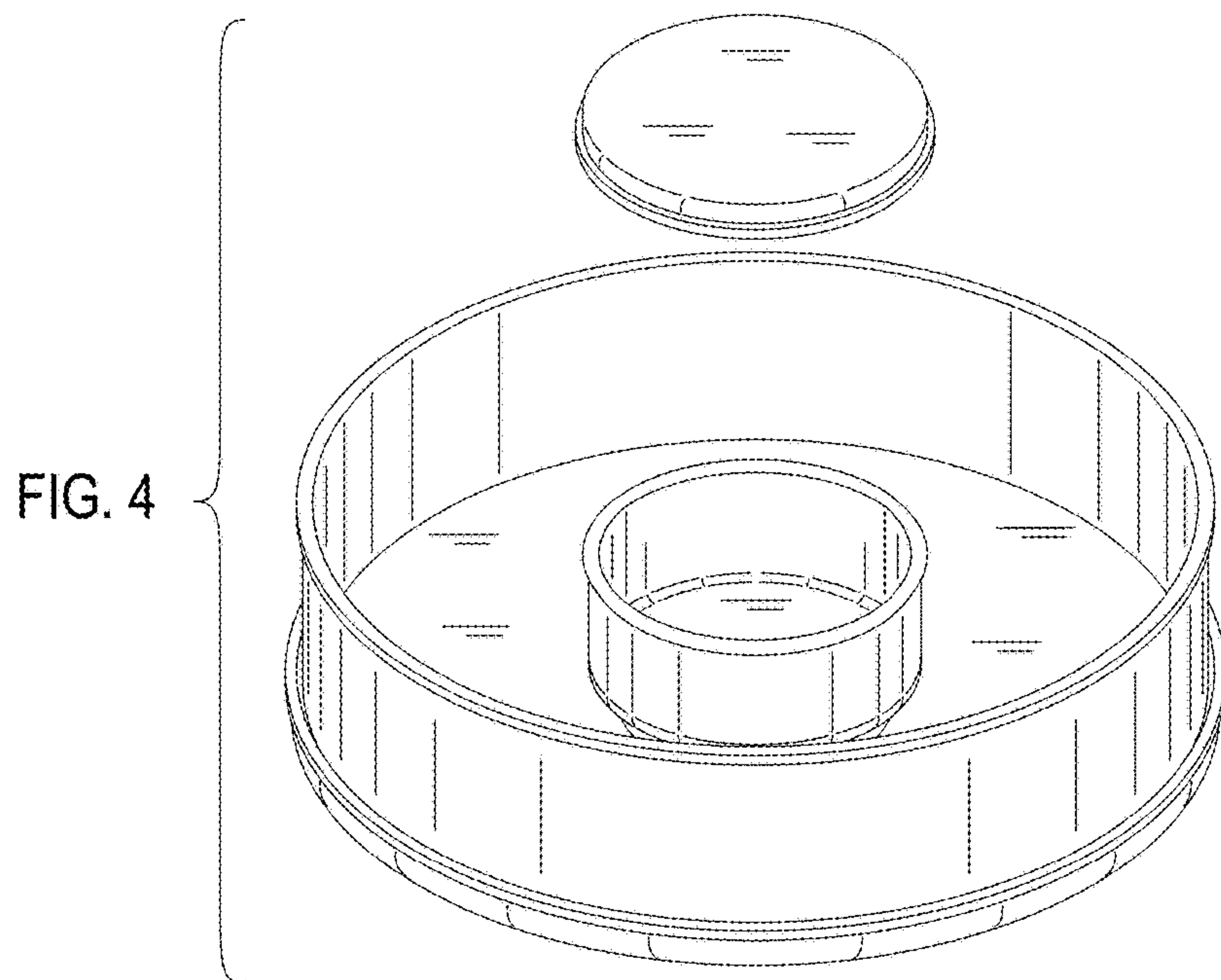
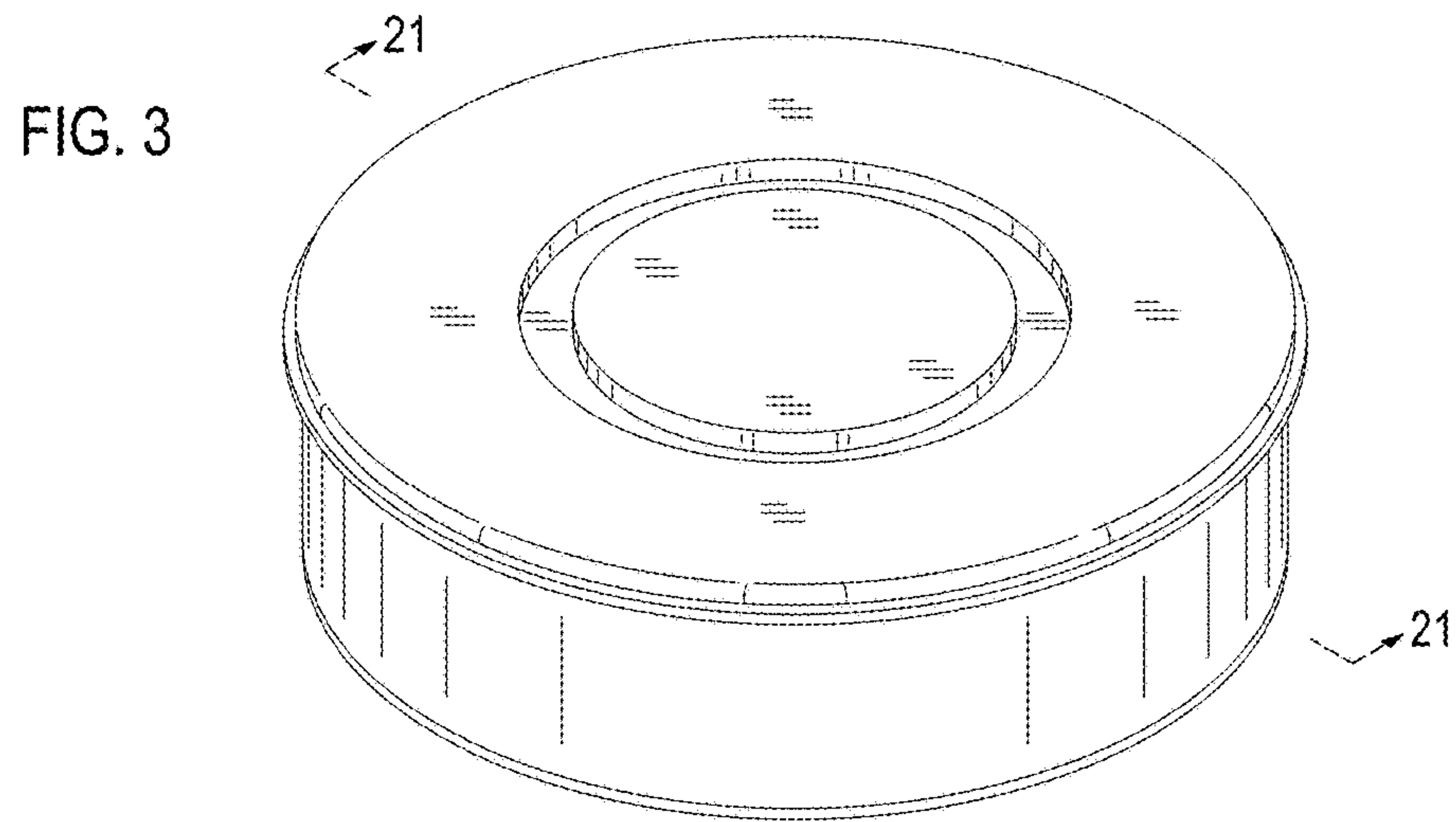


FIG. 2





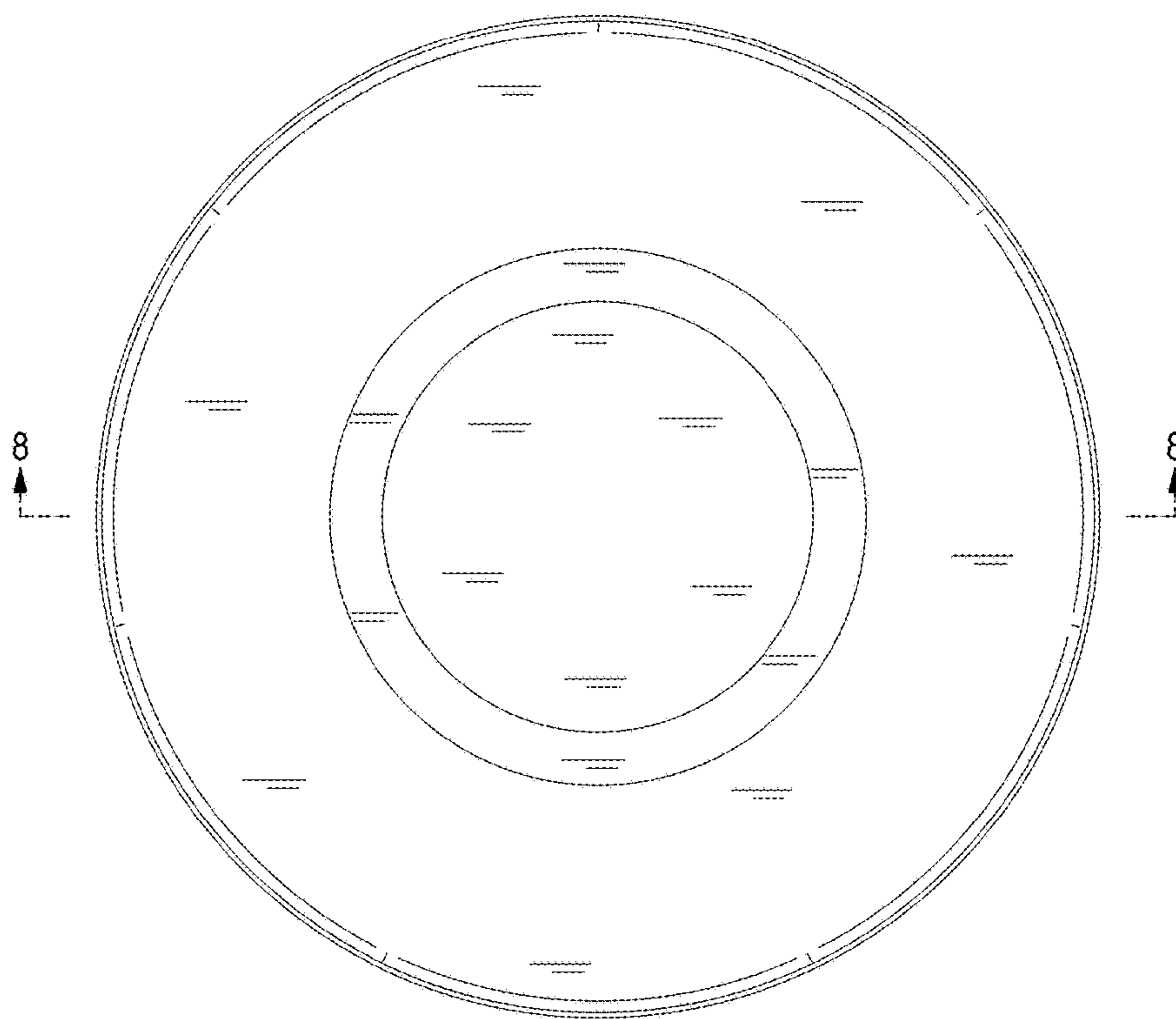


FIG. 5

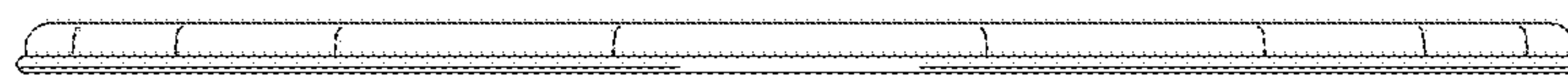


FIG. 6

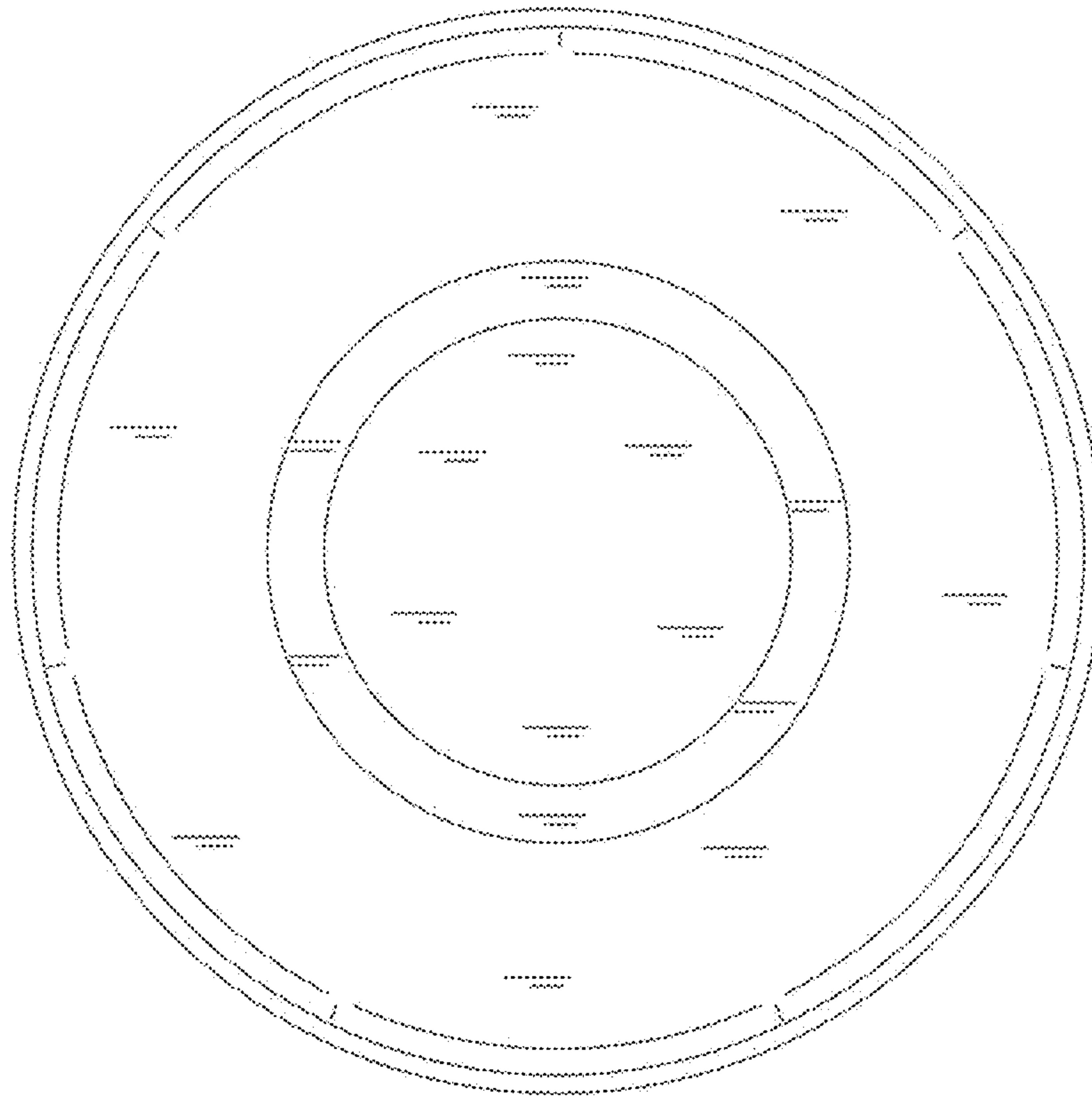


FIG. 7

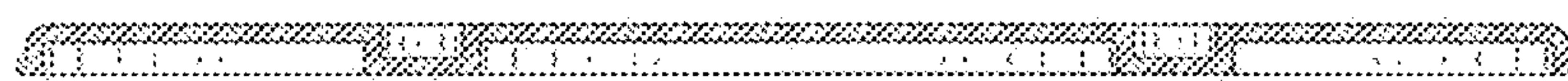


FIG. 8

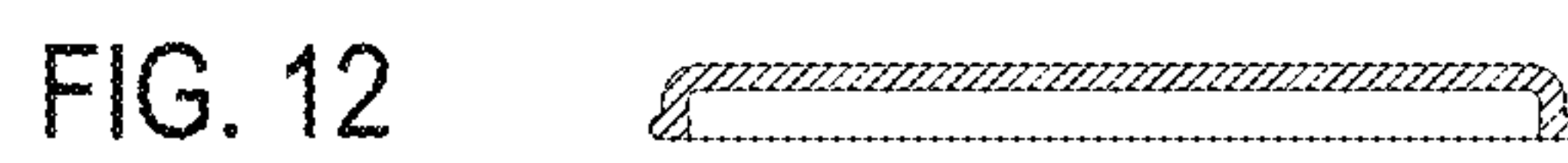
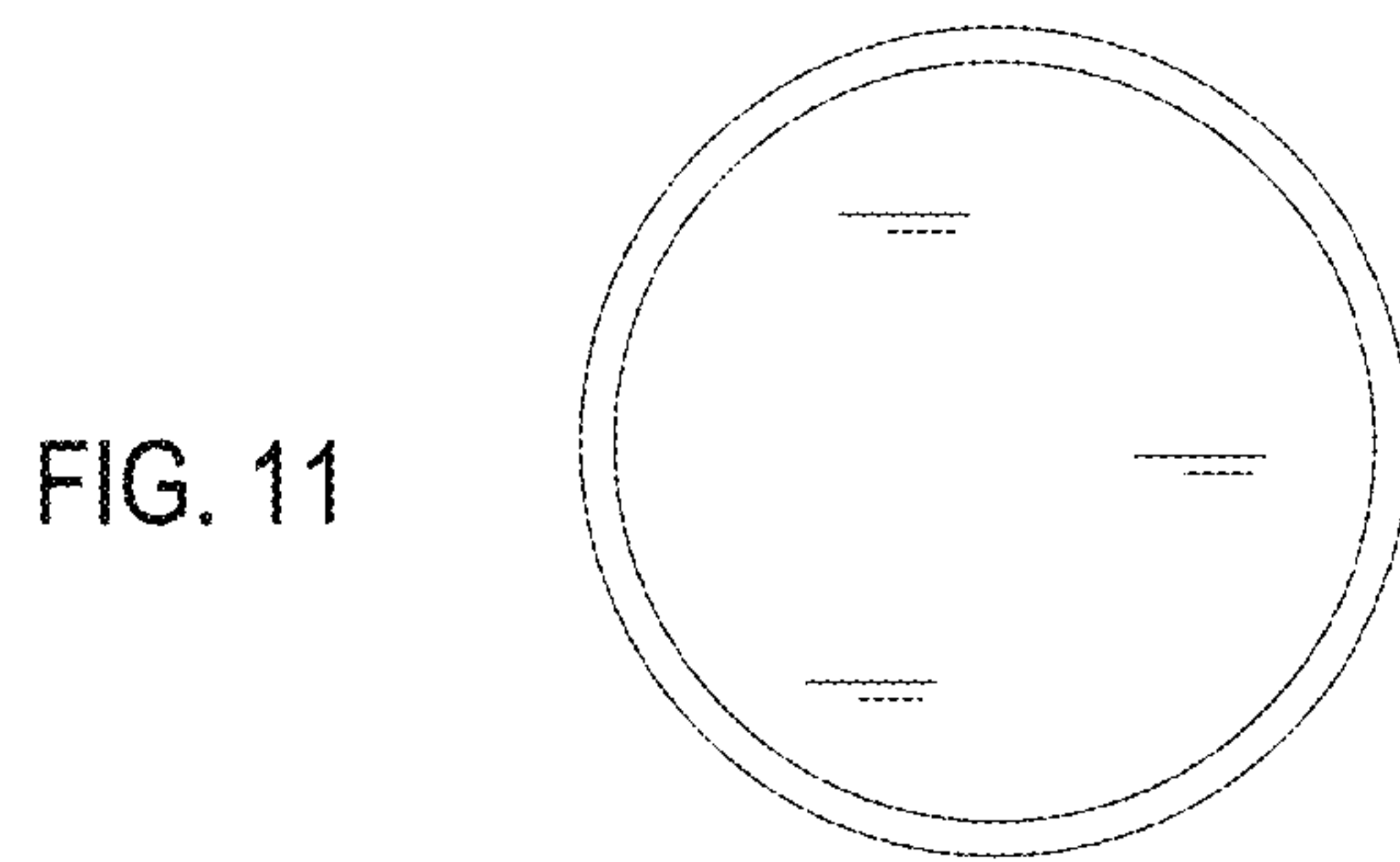
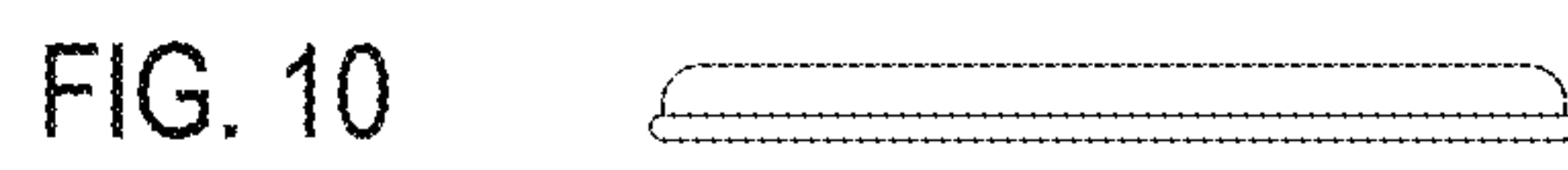
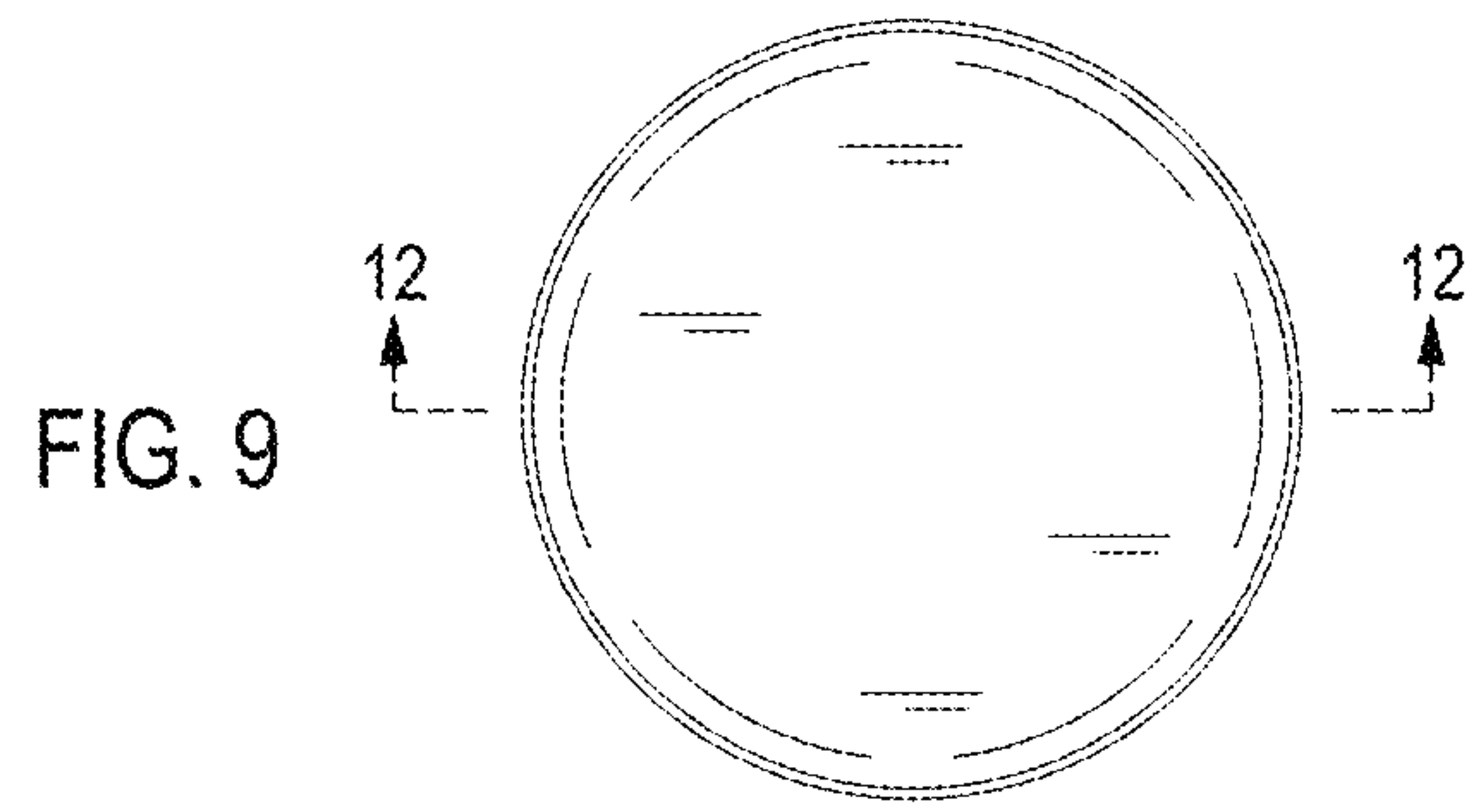


FIG. 13

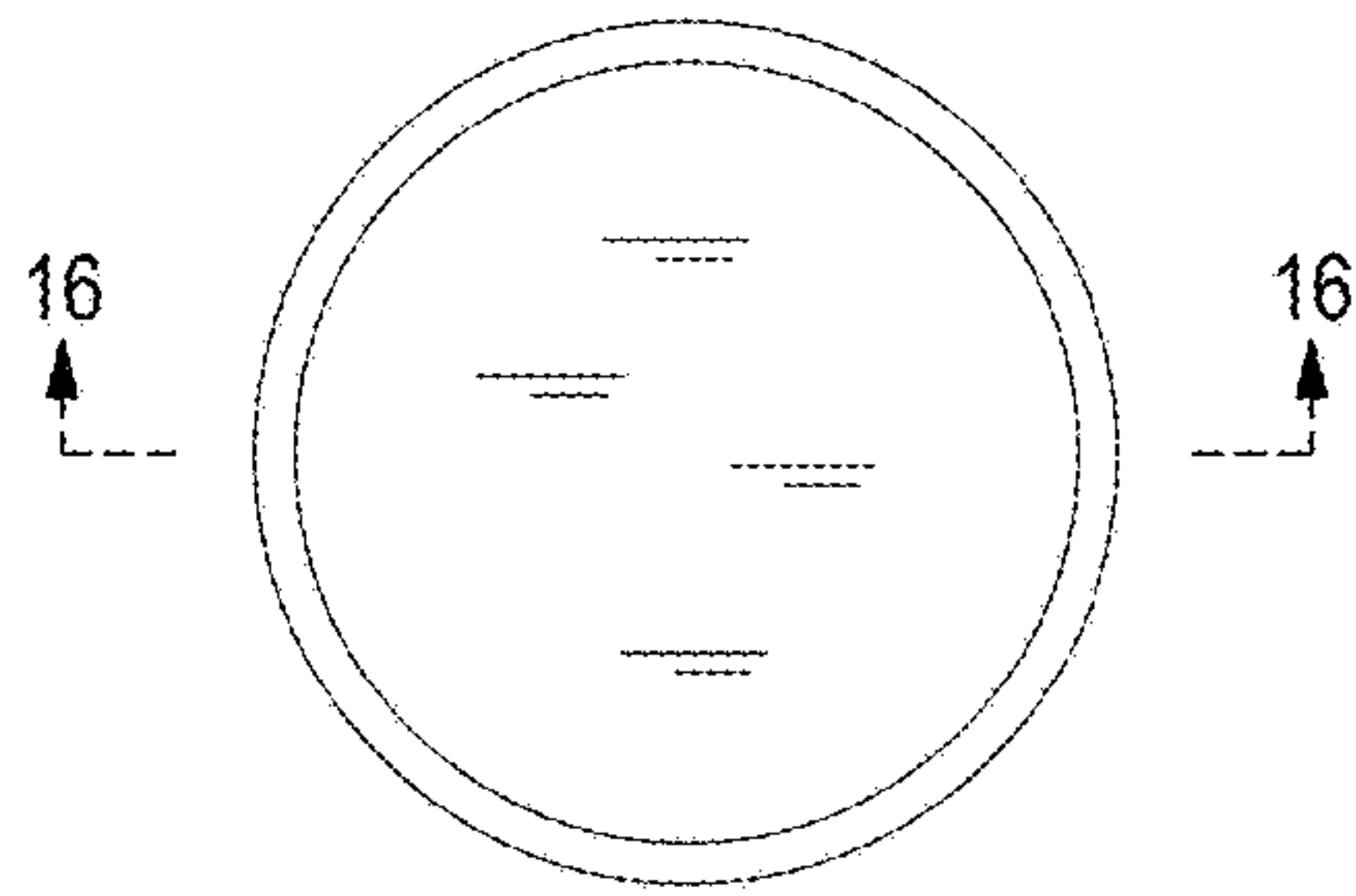


FIG. 14

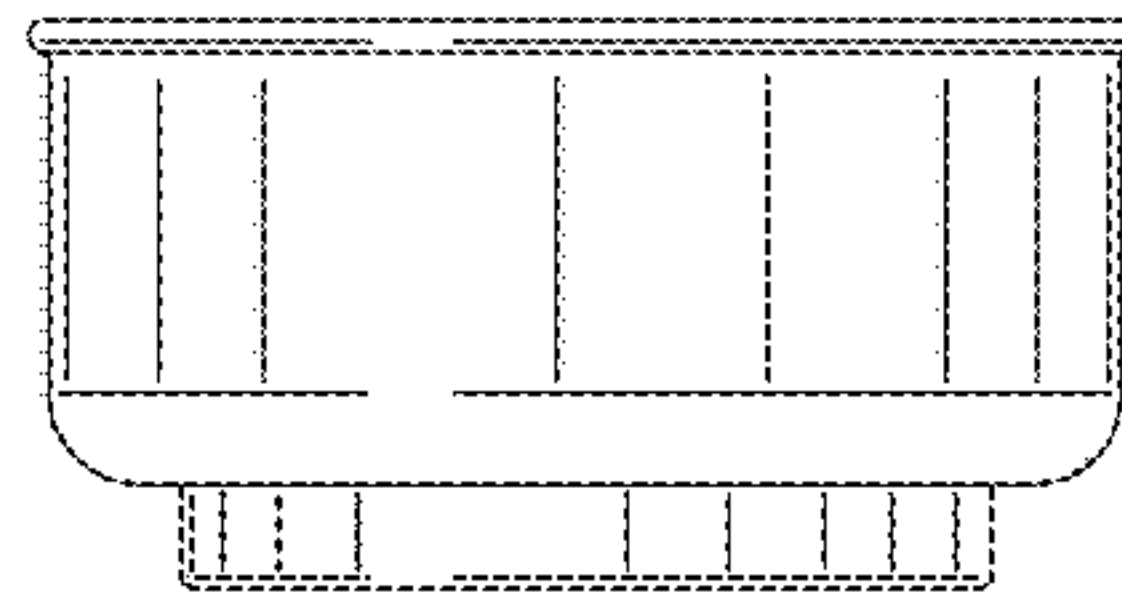


FIG. 15

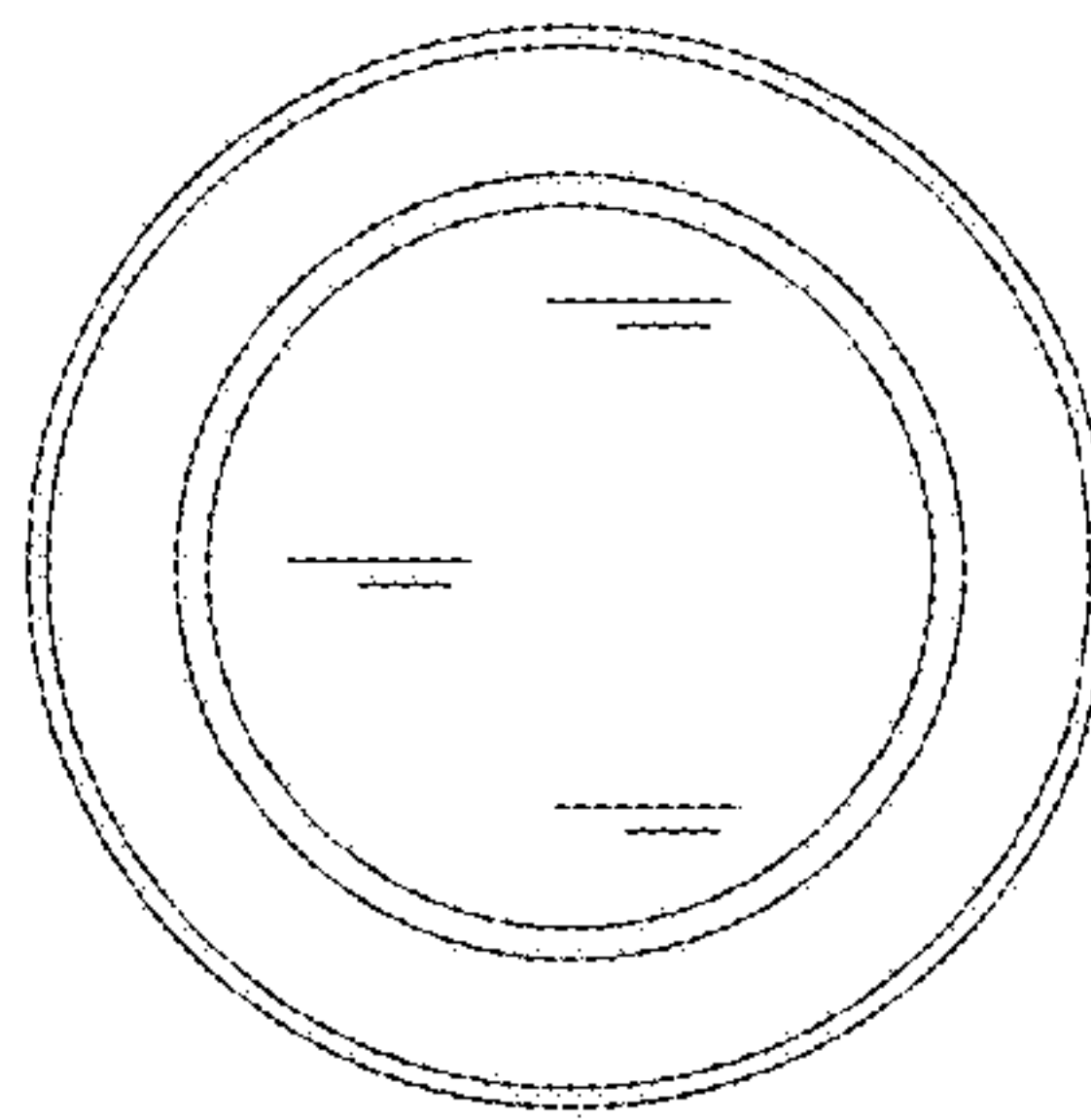
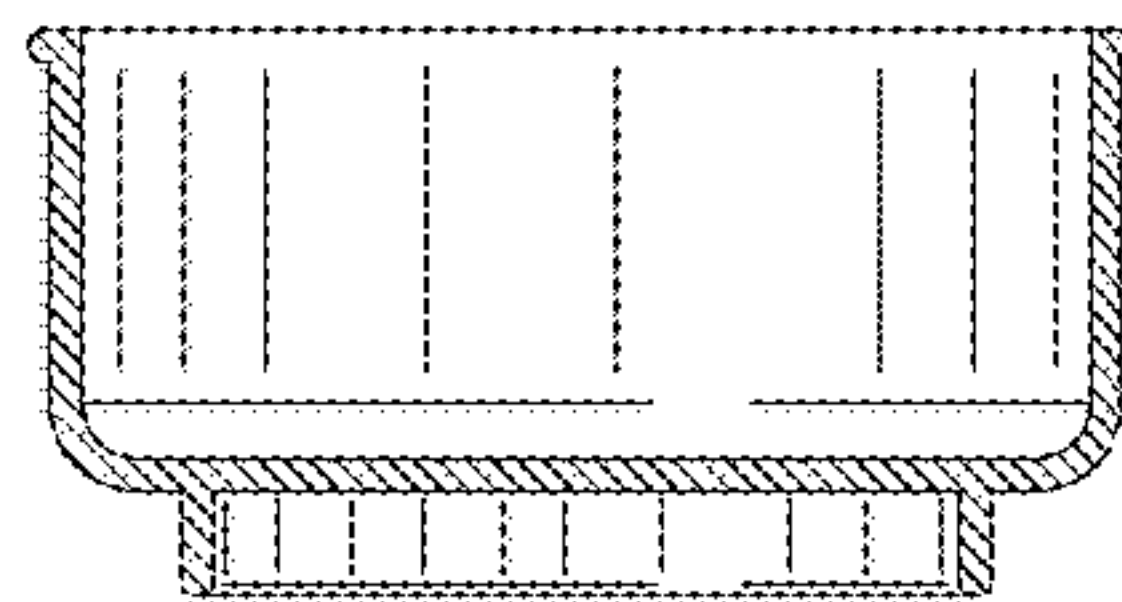


FIG. 16



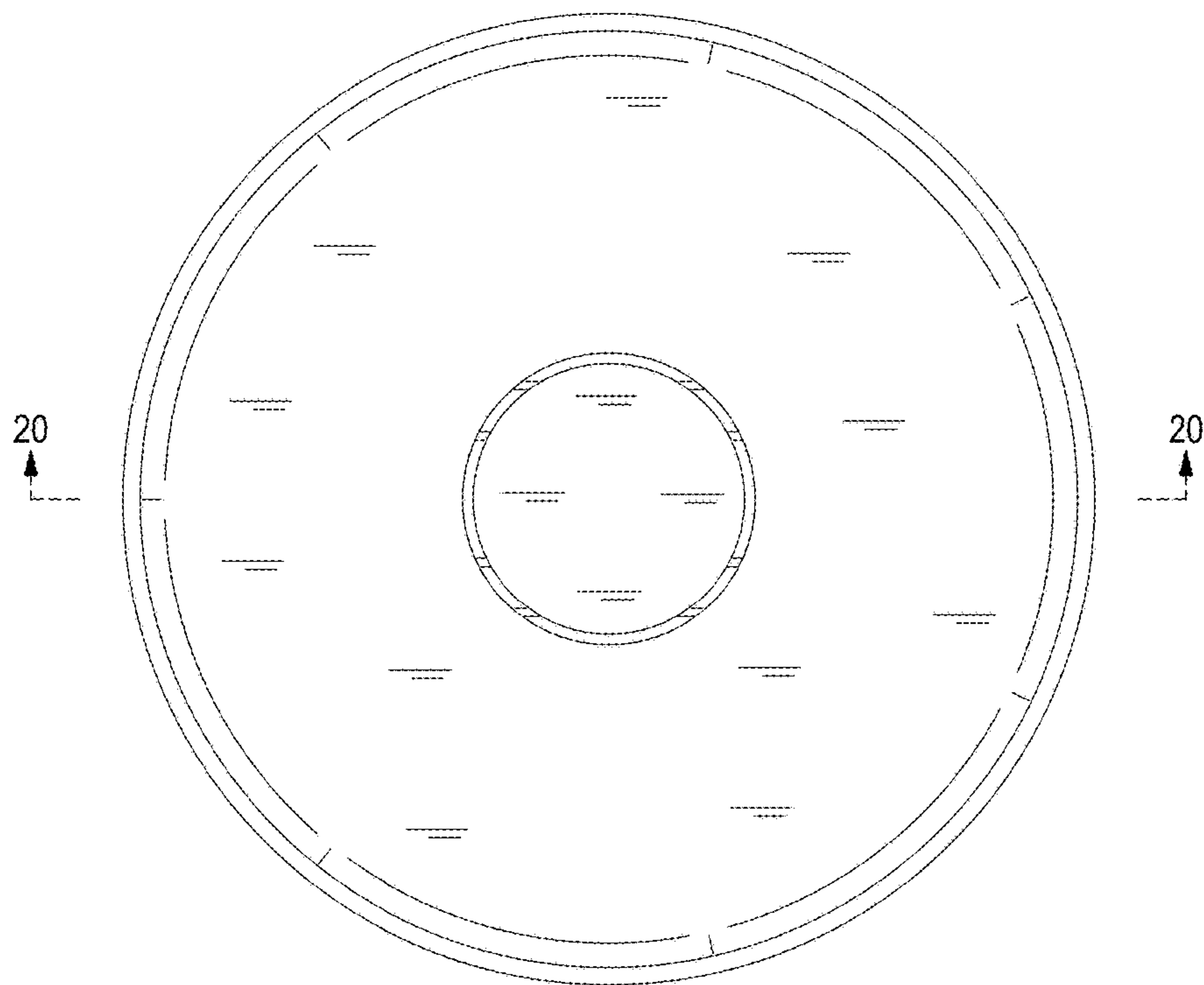


FIG. 17

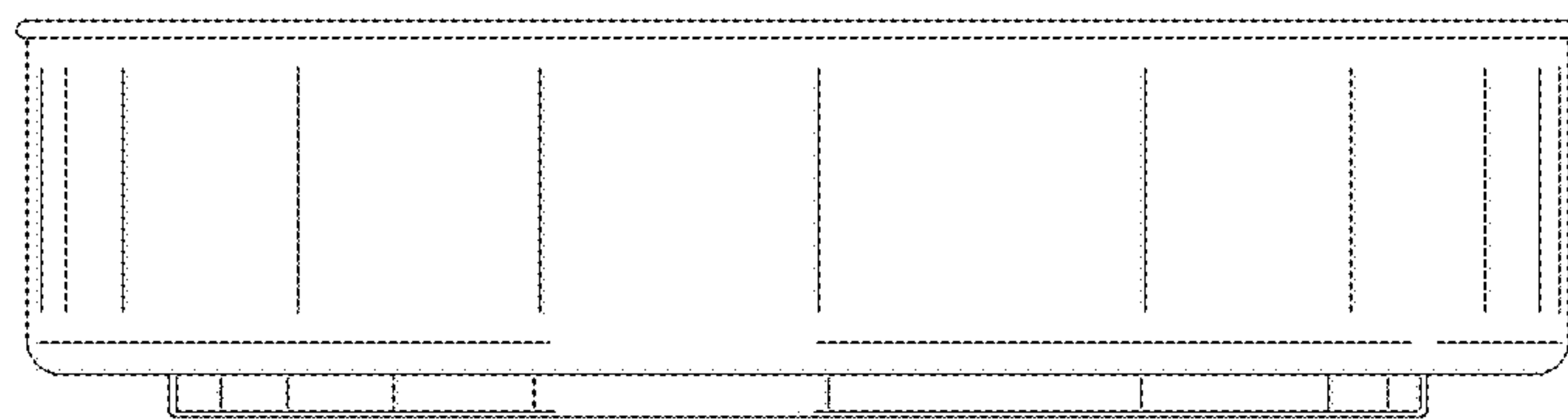


FIG. 18

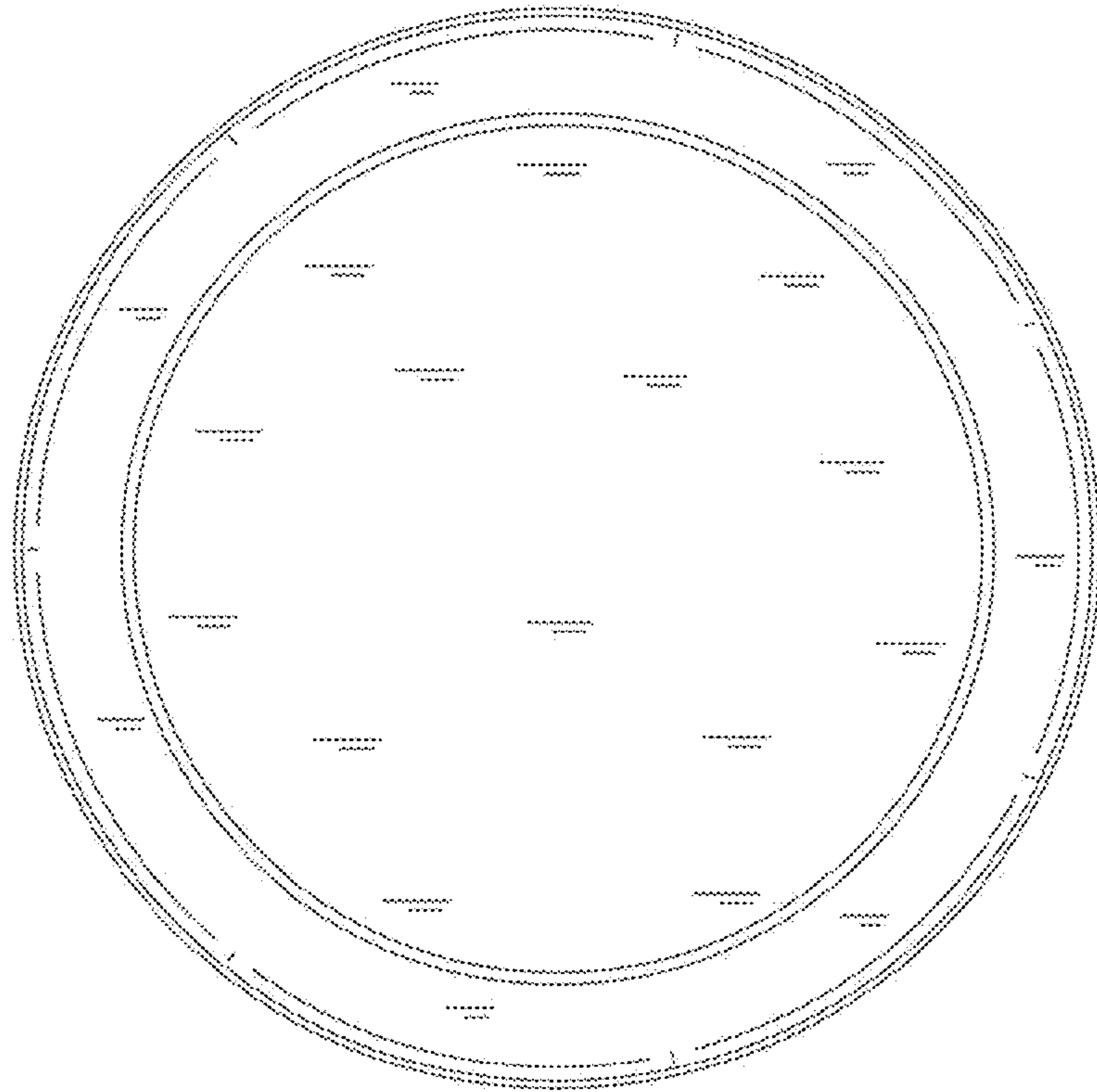


FIG. 19

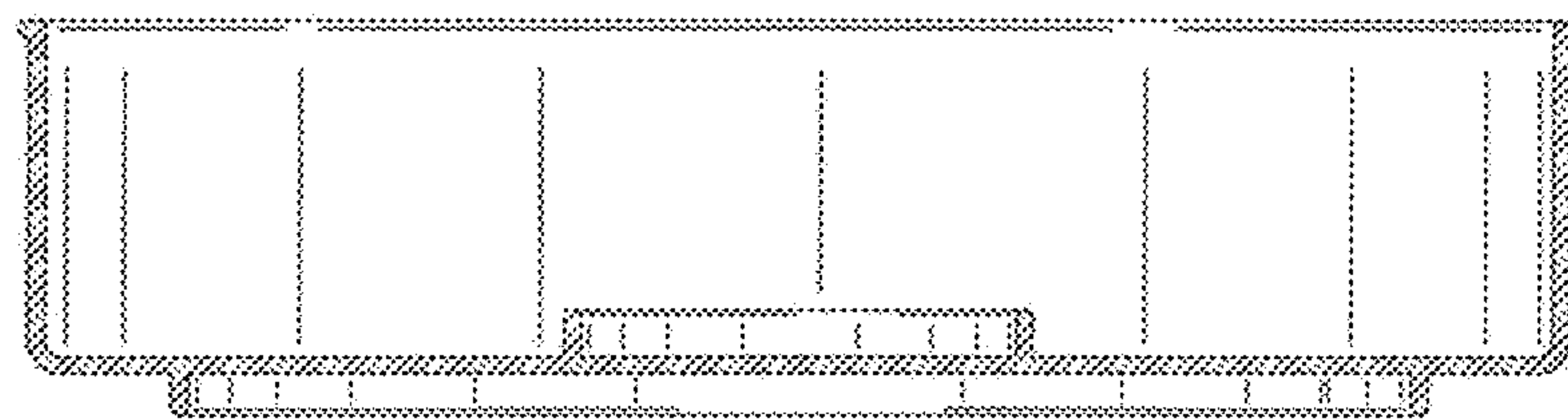


FIG. 20

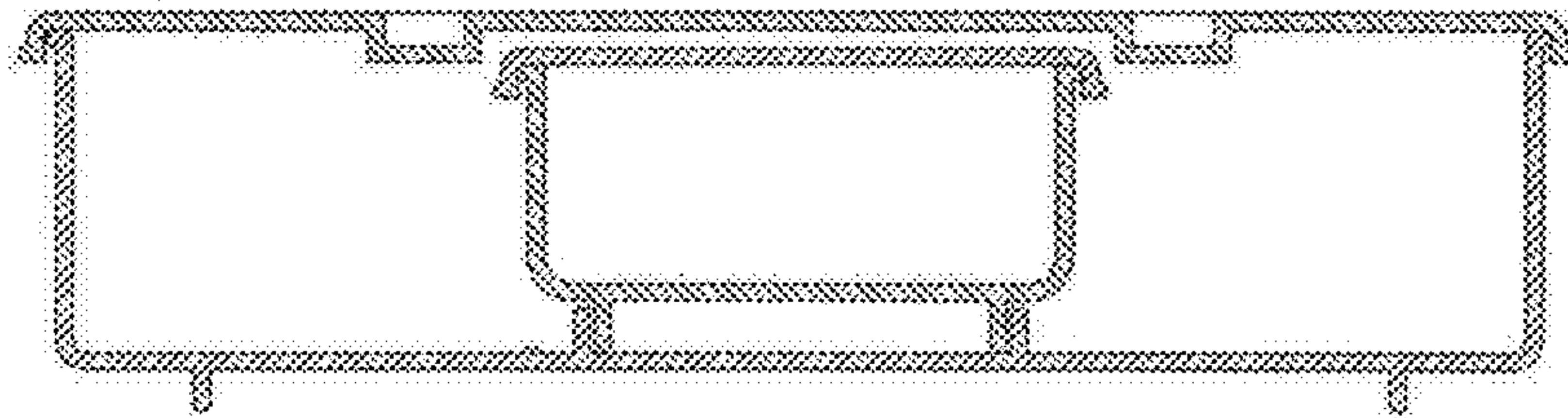


FIG. 21