



US00D866264S

(12) **United States Design Patent** (10) **Patent No.:** **US D866,264 S**
Sayler (45) **Date of Patent:** **** Nov. 12, 2019**

(54) **PAPER PLATE AND CUP HOLDER**
(71) Applicant: **Richard Sayler**, Sandy, UT (US)
(72) Inventor: **Richard Sayler**, Sandy, UT (US)
(**) Term: **15 Years**
(21) Appl. No.: **29/645,801**
(22) Filed: **Apr. 30, 2018**
(51) **LOC (12) Cl.** **07-01**
(52) **U.S. Cl.**
USPC **D7/554.2**
(58) **Field of Classification Search**
USPC D7/624.1, 500, 505, 505.5, 550.1, 553.1,
D7/554.2, 553.6–553.8, 357; D3/304,
D3/307, 328
CPC . B65D 1/34; B65D 1/36; B65D 85/00; B65D
1/00
See application file for complete search history.

D437,941 S * 2/2001 Frattini D24/229
D445,198 S * 7/2001 Frattini D24/227
D575,988 S * 9/2008 McComas D7/543
D650,237 S * 12/2011 McComas D7/546
8,672,175 B2 * 3/2014 Farmer B65D 1/36
220/737
9,027,771 B2 * 5/2015 Metcalfe B65D 71/508
215/395
D766,665 S * 9/2016 Shames D7/554.2
D778,116 S * 2/2017 Cao D7/554.2
D795,695 S * 8/2017 Snedden D9/424
9,955,806 B2 * 5/2018 Jaeckel A47G 19/065

* cited by examiner

Primary Examiner — Kelley A Donnelly
(74) *Attorney, Agent, or Firm* — Workman Nydegger

(57) **CLAIM**

The ornamental design for a paper plate and cup holder, as shown and described.

(56) **References Cited**

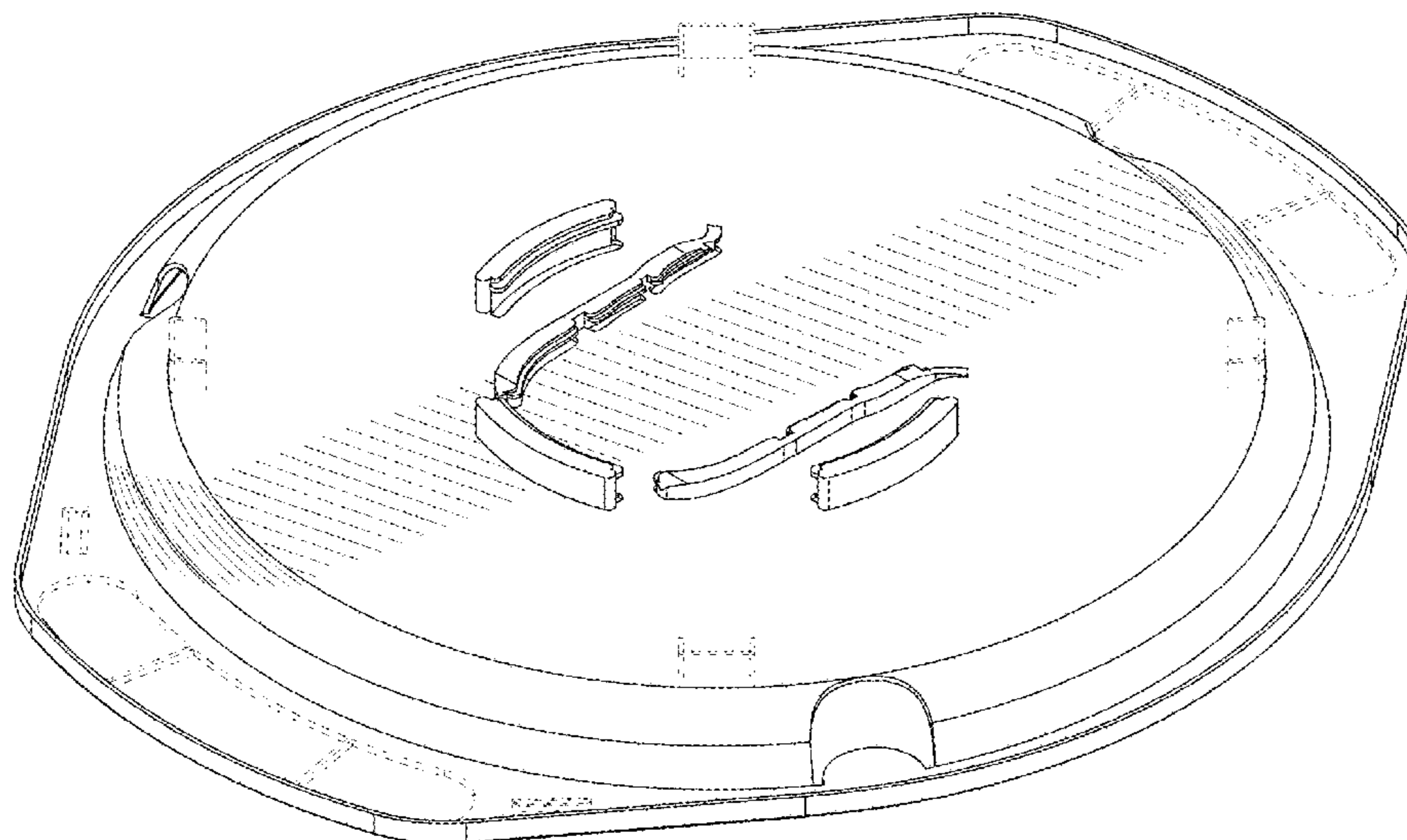
U.S. PATENT DOCUMENTS

5,058,737 A * 10/1991 Patterson A47G 19/065
206/217
D335,795 S * 5/1993 Conti D7/359
5,240,136 A * 8/1993 Patterson A47G 19/065
206/217
5,249,700 A * 10/1993 Dumke A47G 19/065
220/23.86
5,361,932 A * 11/1994 Friedrich A47G 19/04
206/217
5,419,455 A * 5/1995 Rousseau A47G 19/06
206/562
D378,792 S * 4/1997 Westcott D7/501

DESCRIPTION

FIG. 1 is a bottom perspective view of a paper plate and cup holder showing our new design;
FIG. 2 is a bottom plan view thereof;
FIG. 3 is a top plan view thereof;
FIG. 4 is a left elevational view thereof;
FIG. 5 is a right elevational view thereof;
FIG. 6 is a front elevation view thereof; and,
FIG. 7 is a back elevation view thereof.
Objects shown in broken lines are shown for environmental purposes only and form no part of the claimed design.

1 Claim, 7 Drawing Sheets



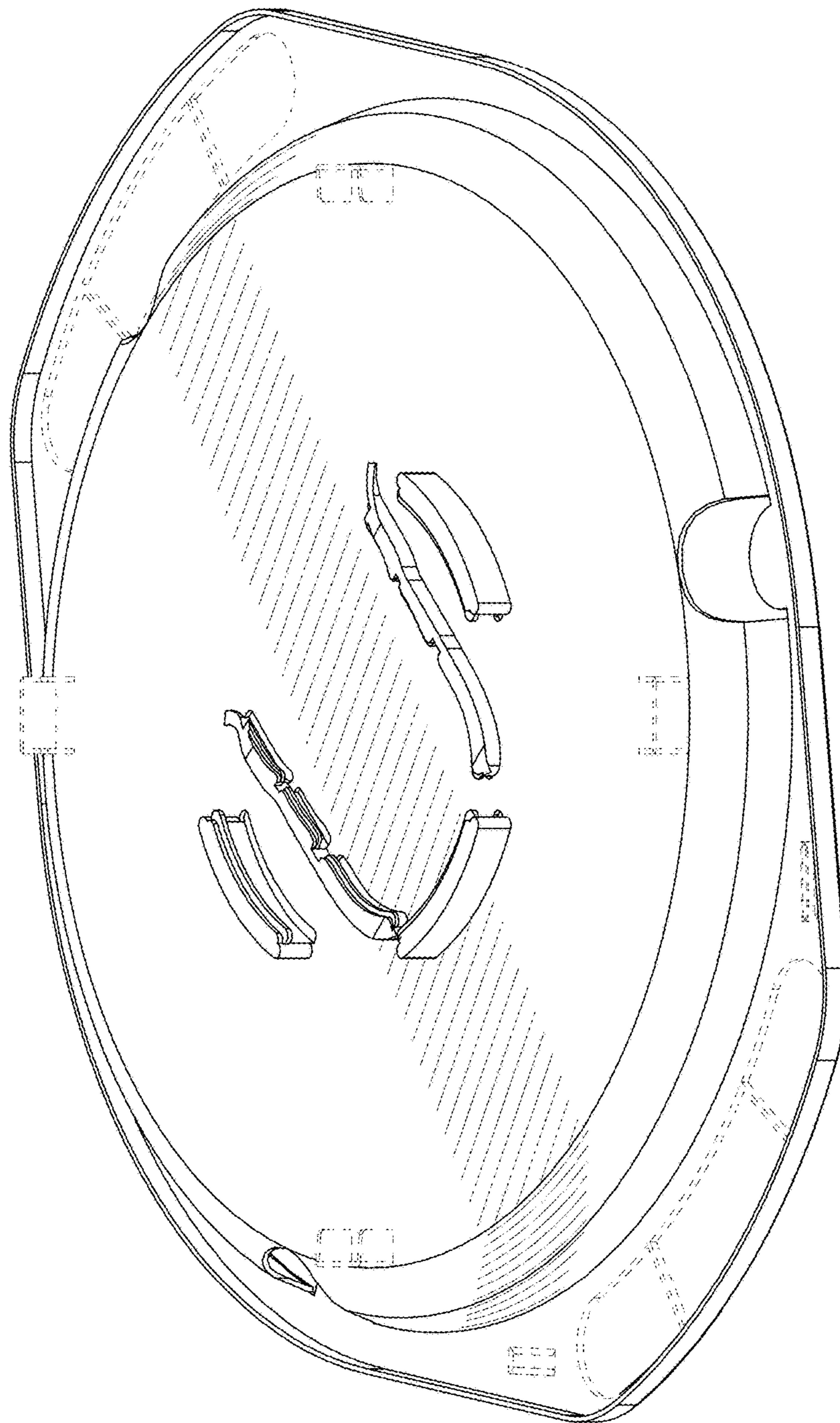


Fig. 1

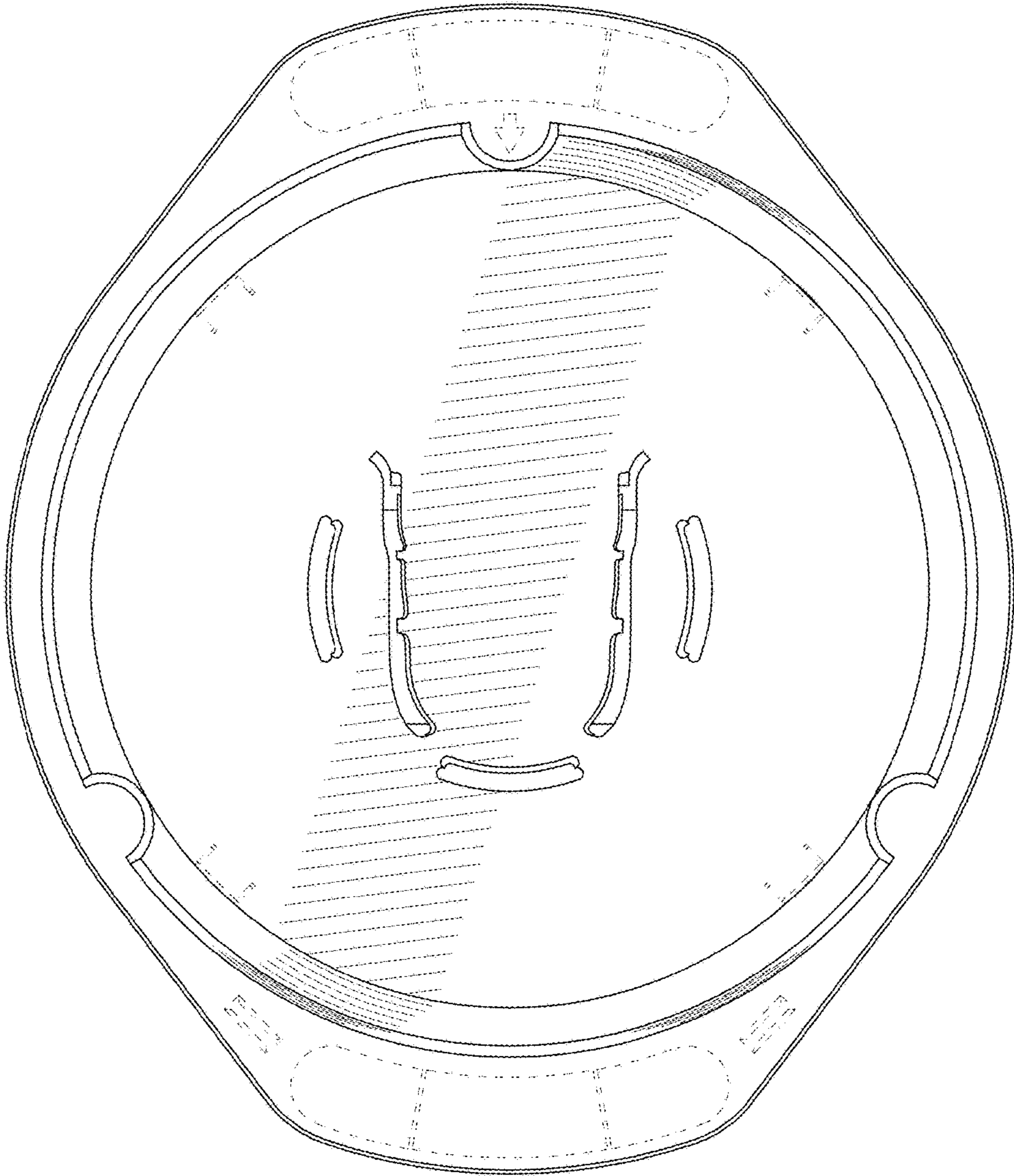


Fig. 2

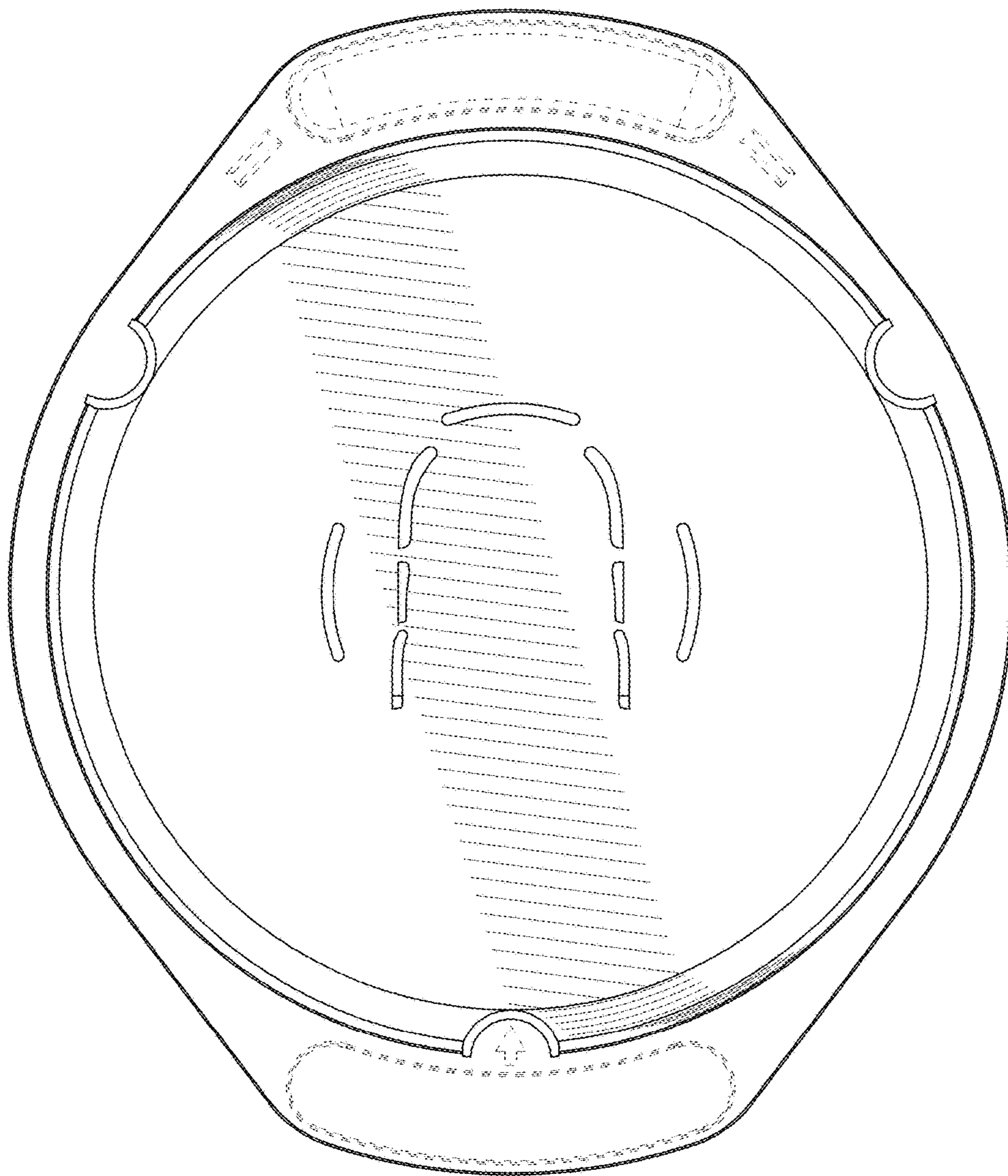


Fig. 3

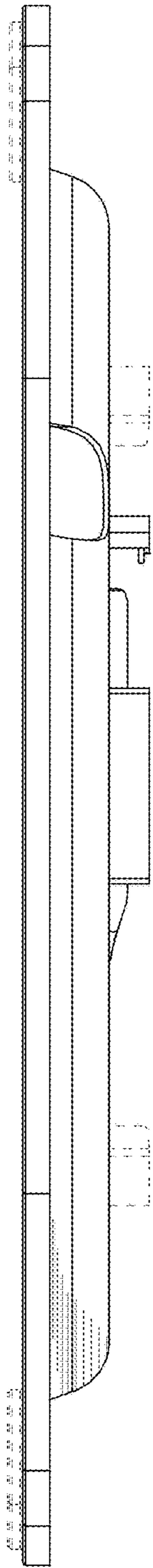


Fig. 4

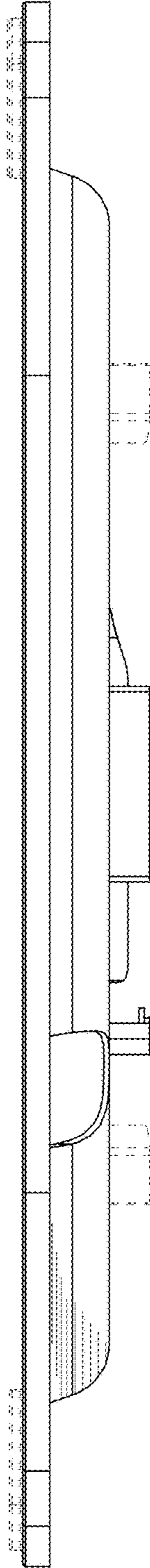


Fig. 5

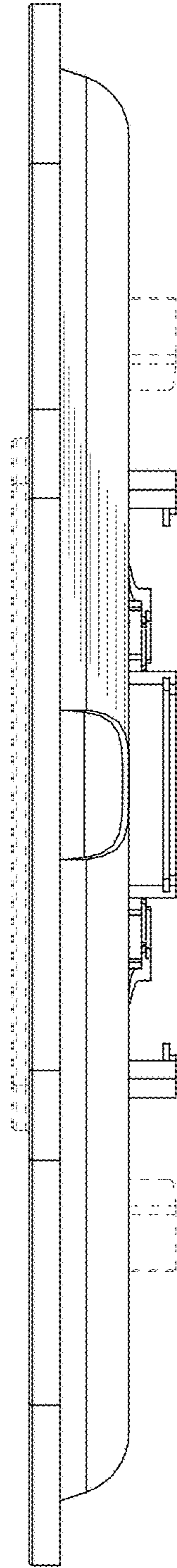


Fig. 6

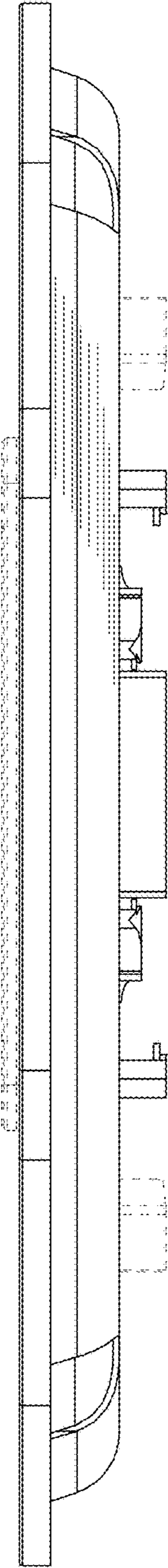


Fig. 7