

US00D866252S

(12) **United States Design Patent** (10) **Patent No.:** **US D866,252 S**
Dale (45) **Date of Patent:** **** Nov. 12, 2019**

(54) **TAP HANDLE**
(71) Applicant: **Russell S. Dale**, Buffalo, NY (US)
(72) Inventor: **Russell S. Dale**, Buffalo, NY (US)
(**) Term: **15 Years**
(21) Appl. No.: **29/631,686**

D485,121 S * 1/2004 Ahlgrim D7/393
D555,974 S * 11/2007 Miller D7/387
D590,031 S * 4/2009 Aroyan D9/631
D619,849 S * 7/2010 Power D7/397
D690,155 S * 9/2013 Rupp D7/301
D732,747 S * 6/2015 Phillips D29/116.1
D742,685 S * 11/2015 Dale D7/397
9,873,604 B2 * 1/2018 Shin B67D 1/0042
10,138,109 B2 * 11/2018 Walker B67D 1/0874
2008/0127454 A1 * 6/2008 Chan B67D 1/0872
16/110.1

(22) Filed: **Jan. 2, 2018**
(51) **LOC (12) Cl.** **07-99**
(52) **U.S. Cl.**
USPC **D7/398**; D7/397
(58) **Field of Classification Search**
USPC D7/302, 301, 395, 393, 397, 306, 398,
D7/394; D9/645, 668; 222/400.8, 400.7;
362/183; 40/332; D29/116.1, 113, 114;
2/18
CPC B65D 83/16; B67D 1/06; B67D 1/0042;
B67D 1/08; D67D 1/0086; B68D 1/0874
See application file for complete search history.

* cited by examiner

Primary Examiner — Marianne N Pandozzi
(74) *Attorney, Agent, or Firm* — Stadler IP Law PLLC

(57) **CLAIM**

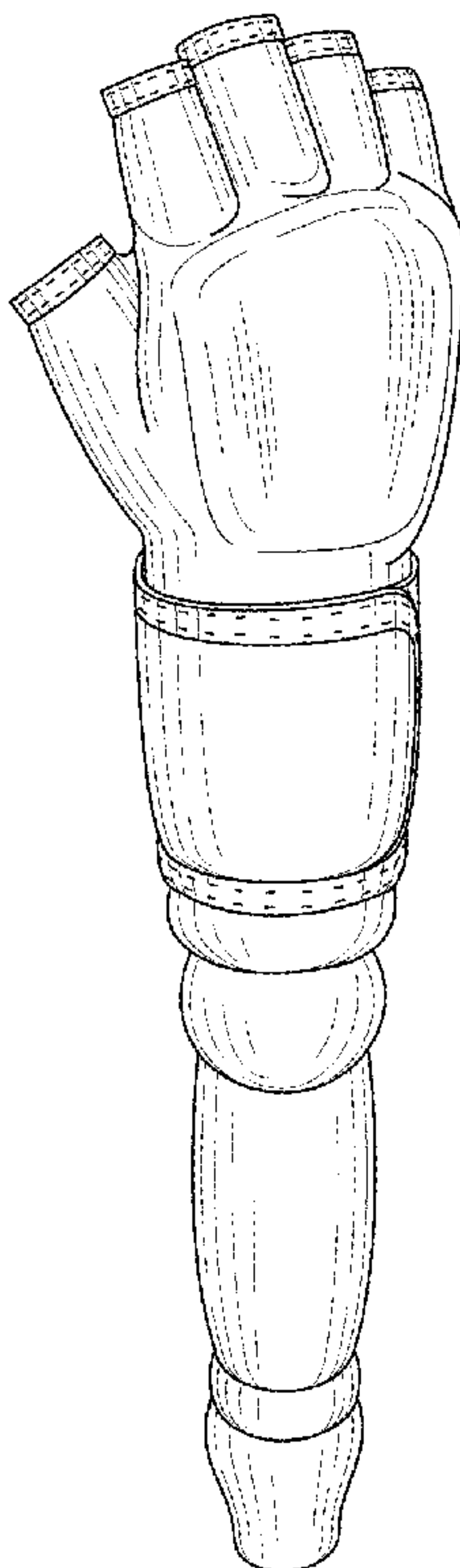
The ornamental design for a tap handle, as shown.

DESCRIPTION

FIG. 1 is a front perspective view of my new design for a tap handle;
FIG. 2 is a front elevational view thereof;
FIG. 3 is a rear elevational view thereof;
FIG. 4 is a right side view of the thereof;
FIG. 5 is a left side view of the thereof;
FIG. 6 is a top plan view thereof; and,
FIG. 7 is bottom plan view thereof.

(56) **References Cited**
U.S. PATENT DOCUMENTS
2,466,793 A * 4/1949 Corbett A63B 71/145
2/18
D273,343 S * 4/1984 Albert D29/116.1
4,603,439 A * 8/1986 Golomb A63B 71/145
2/18
D411,710 S * 6/1999 Watters D7/397
D475,888 S * 6/2003 Celli D7/398

1 Claim, 4 Drawing Sheets



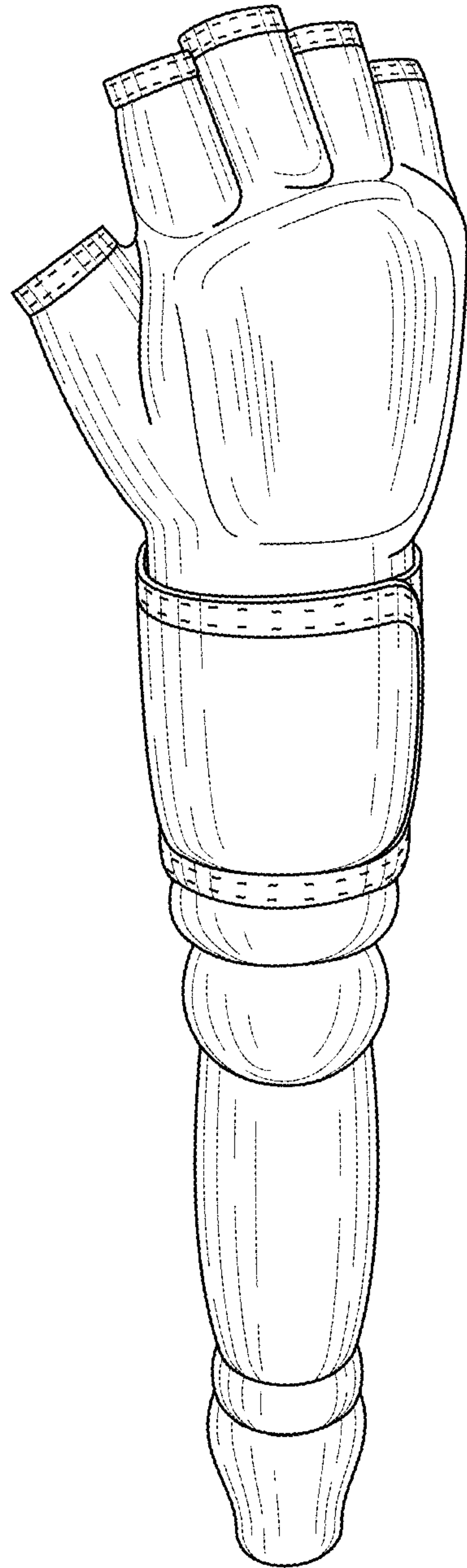


Fig. 1

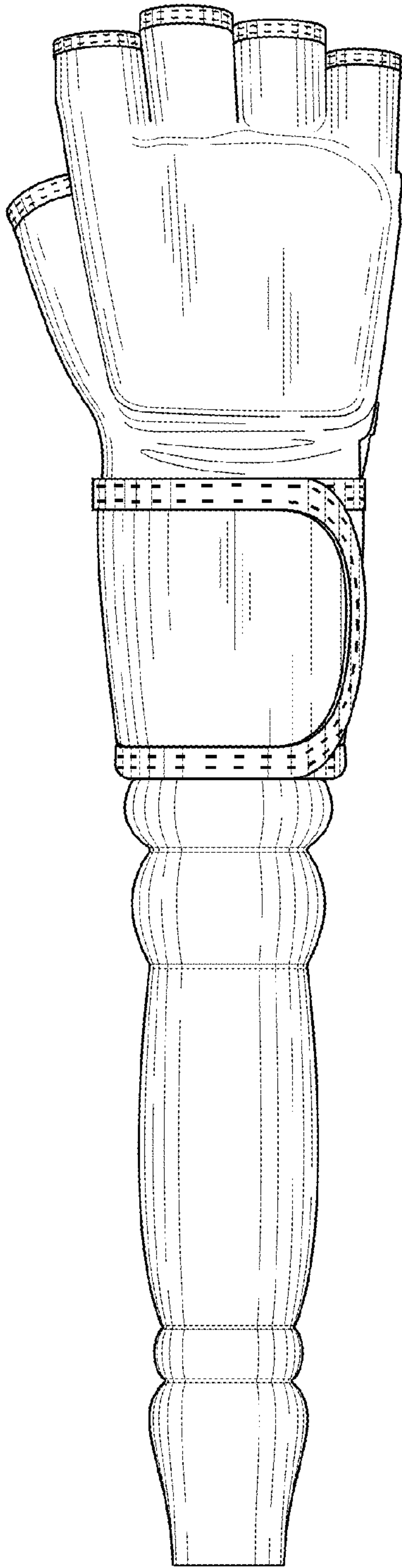


Fig. 2

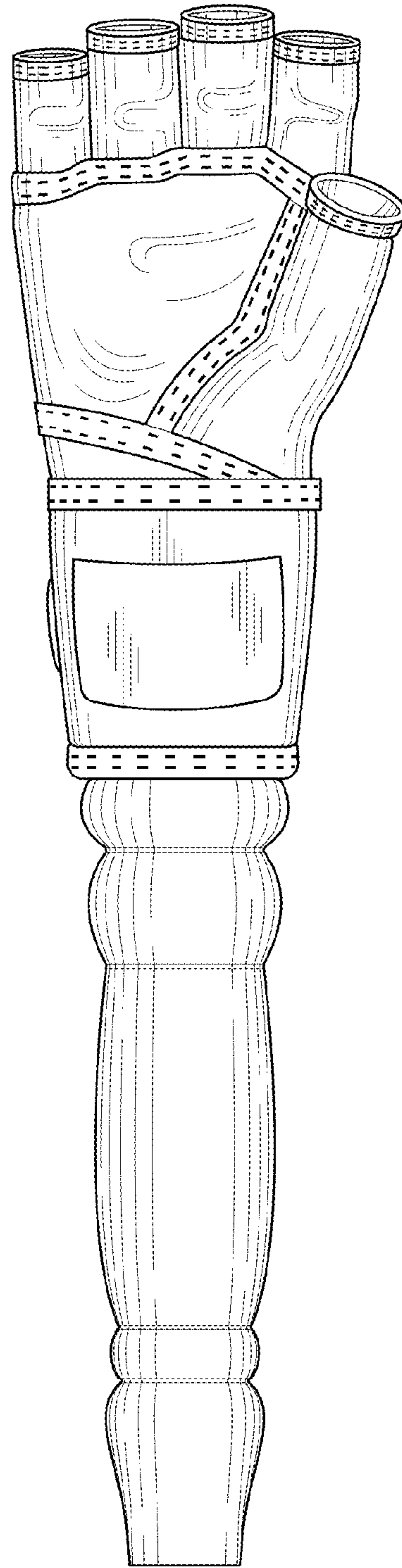


Fig. 3

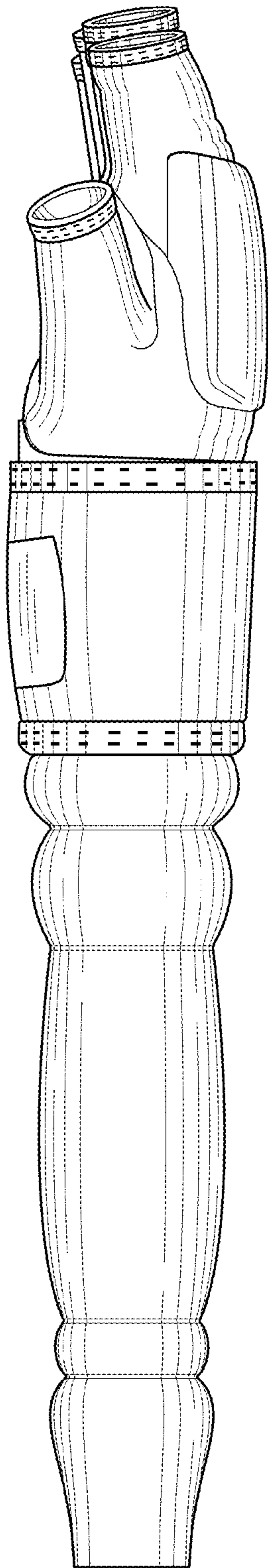


Fig.4

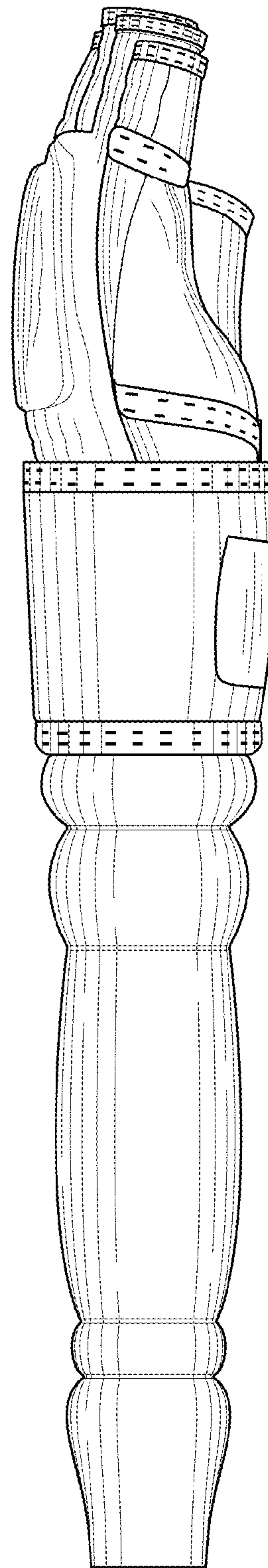


Fig.5

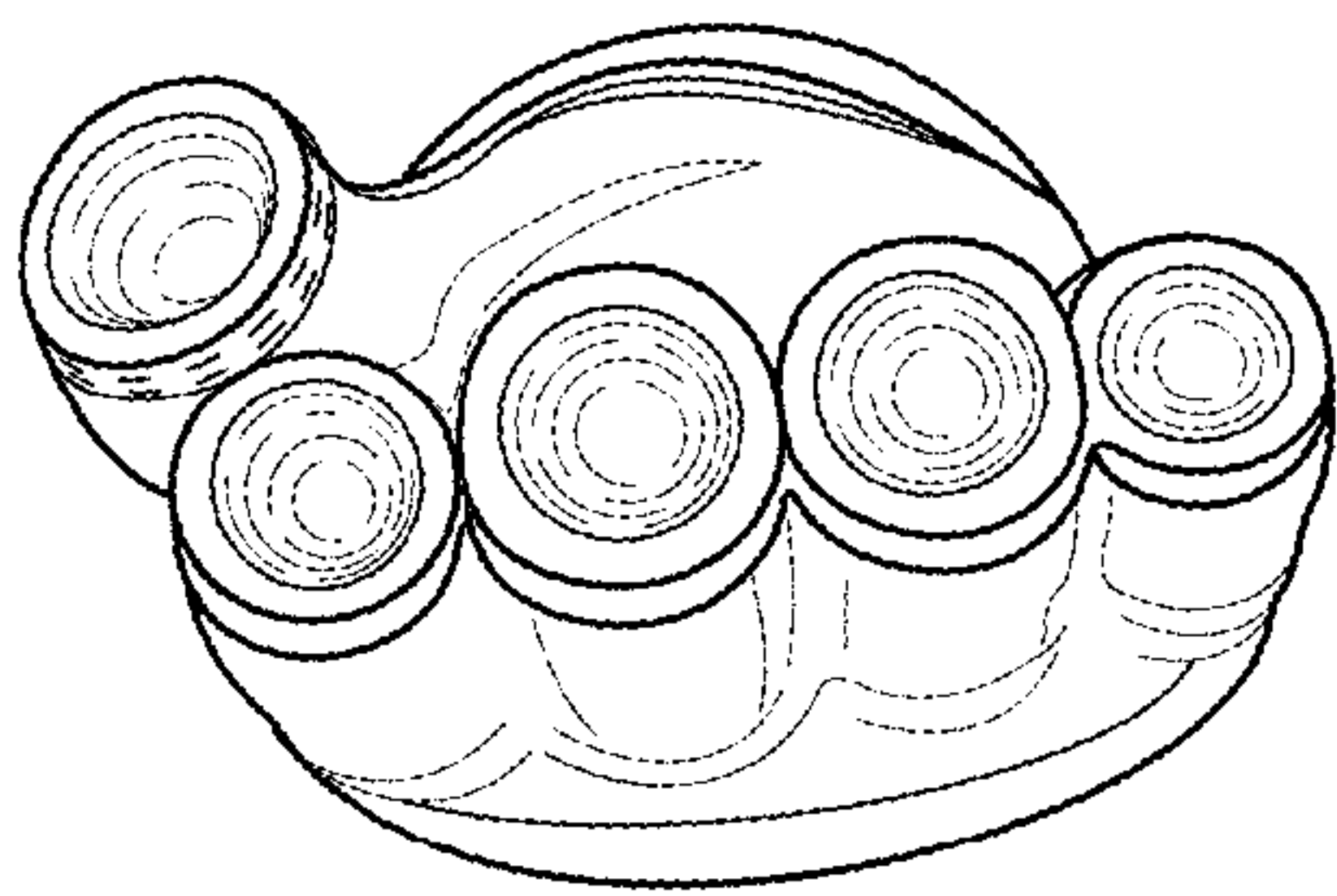


Fig. 6

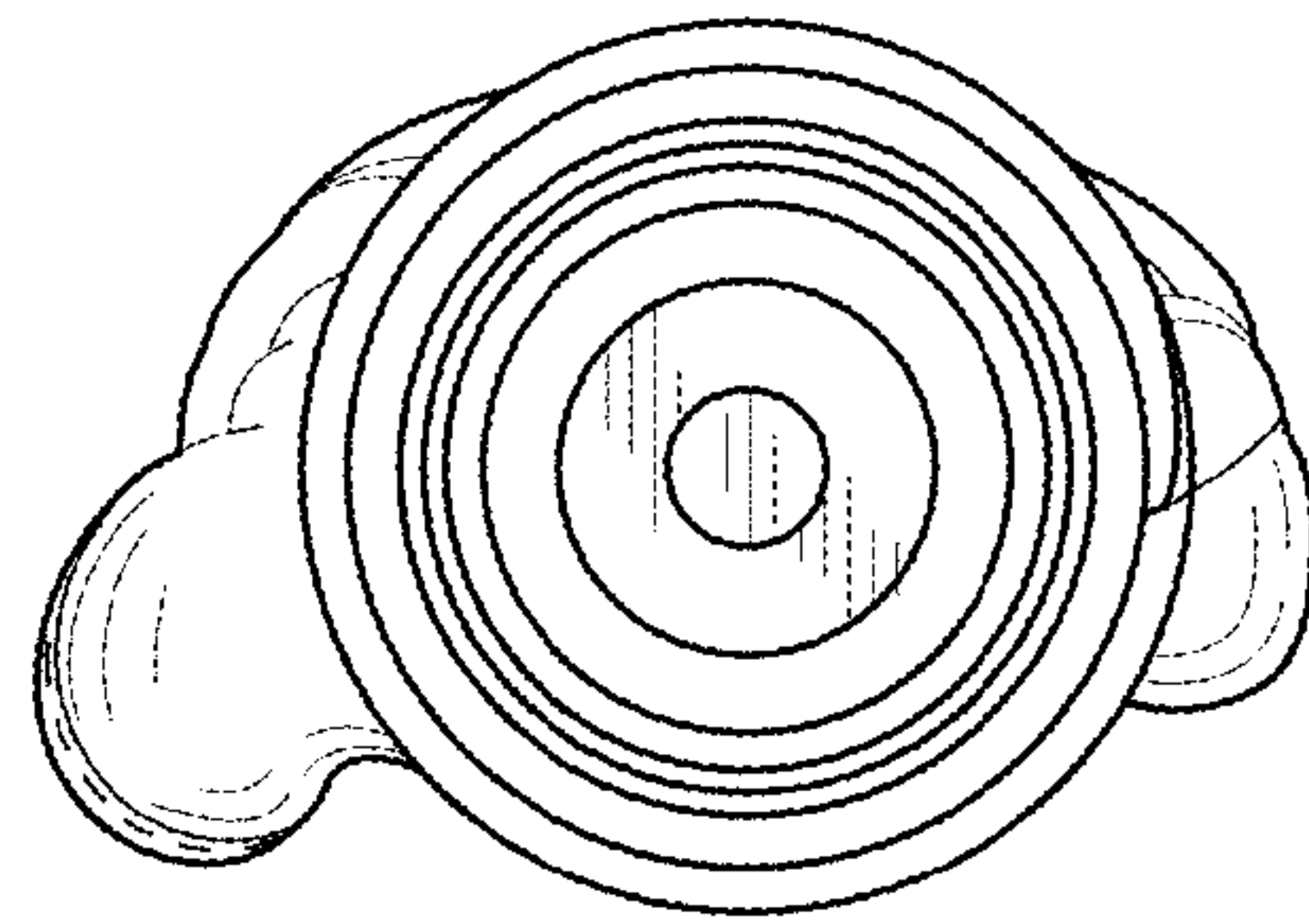


Fig. 7