



US00D866250S

(12) **United States Design Patent** (10) **Patent No.:** **US D866,250 S**
Barber (45) **Date of Patent:** **** Nov. 12, 2019**

(54) **LID FOR A CONTAINER**
(71) Applicant: **BRADSHAW INTERNATIONAL, INC.**, Rancho Cucamonga, CA (US)
(72) Inventor: **Tom Barber**, Manhattan Beach, CA (US)
(73) Assignee: **BRADSHAW INTERNATIONAL, INC.**, Rancho Cucamonga, CA (US)

(**) Term: **15 Years**

(21) Appl. No.: **29/638,699**

(22) Filed: **Feb. 28, 2018**

(51) **LOC (12) Cl.** **07-99**

(52) **U.S. Cl.**
USPC **D7/392.1; D9/443**

(58) **Field of Classification Search**
USPC D9/434-436, 438, 440, 443, 446, 447, D9/449, 452, 454, 499; D7/387, 392, D7/392.1, 394, 396.1, 396.2
CPC A45F 3/16; A45F 3/20; B65D 47/122; B65D 47/066
See application file for complete search history.

(56) **References Cited**

U.S. PATENT DOCUMENTS

D295,831 S *	5/1988	Urion	D9/438
D355,121 S *	2/1995	Kohl	D9/447
D363,222 S *	10/1995	Lay	D9/447
D363,671 S *	10/1995	Mueller	D7/392.1
D505,294 S *	5/2005	Gauss	D7/392.1
D508,185 S *	8/2005	Gauss	D7/392.1
D626,837 S *	11/2010	Meyers	D9/443
D690,989 S *	10/2013	Cetera	D7/392.1
D710,698 S *	8/2014	Giraud	D7/396.2

D721,276 S *	1/2015	Herbst	D7/396.2
D732,337 S *	6/2015	Coon	D7/392.1
D768,491 S *	10/2016	Sorensen	D7/392.1
D799,320 S *	10/2017	Goodwin	D7/392.1
D806,467 S *	1/2018	Yao	D7/392.1
D809,856 S *	2/2018	Winn	D7/392.1
D817,086 S *	5/2018	Guthrie	D7/396.2
D820,038 S *	6/2018	Sorensen	D7/392.1

OTHER PUBLICATIONS

Amazon. GoBottle 40236 Boss Double Wall. Dec. 15, 2017. <URL:https://www.amazon.com/GoBottle-40236-Insulated-Stainless-Locking/dp/B0789ZG1RD>. (Year: 2017).*

* cited by examiner

Primary Examiner — George D. Kirschbaum

Assistant Examiner — Darcey E Gottschalk

(74) *Attorney, Agent, or Firm* — Birch, Stewart, Kolasch & Birch, LLP

(57) **CLAIM**

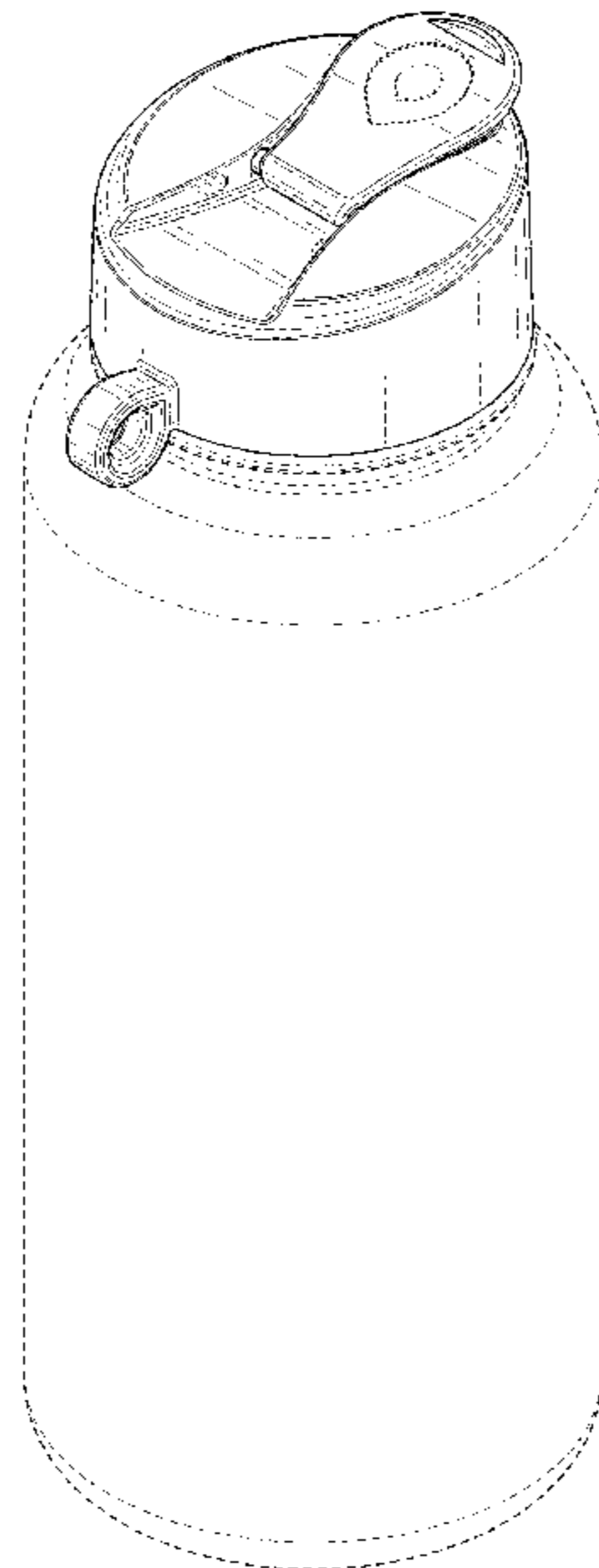
The ornamental design for a lid for a container, as shown and described.

DESCRIPTION

FIG. 1 is a rear, top, left perspective view of the lid for a container showing my new design;
FIG. 2 is a front view thereof;
FIG. 3 is a rear view thereof;
FIG. 4 is a left side view thereof;
FIG. 5 is a right side view thereof;
FIG. 6 is a top plan view thereof; and,
FIG. 7 is a bottom plan view thereof.

The broken lines in the Figures are for the purpose of illustrating portions of the lid for a container and form no part of the claimed design.

1 Claim, 6 Drawing Sheets



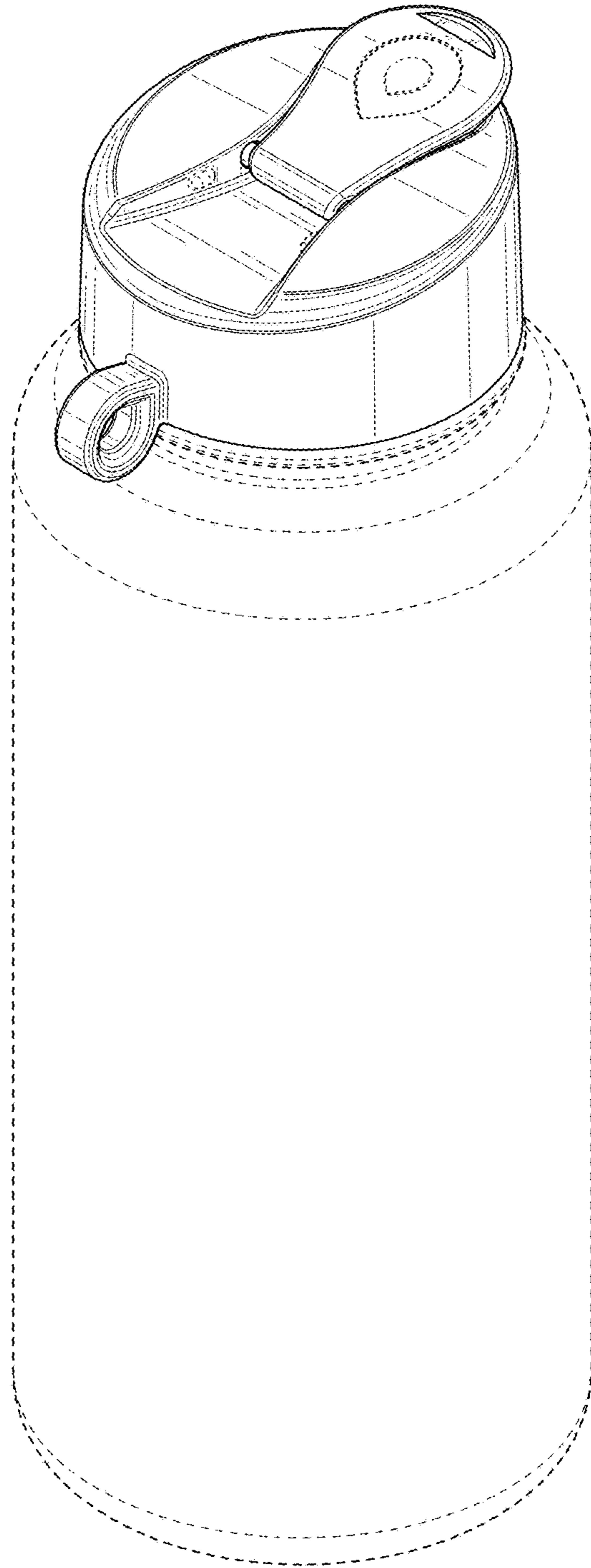


FIG. 1

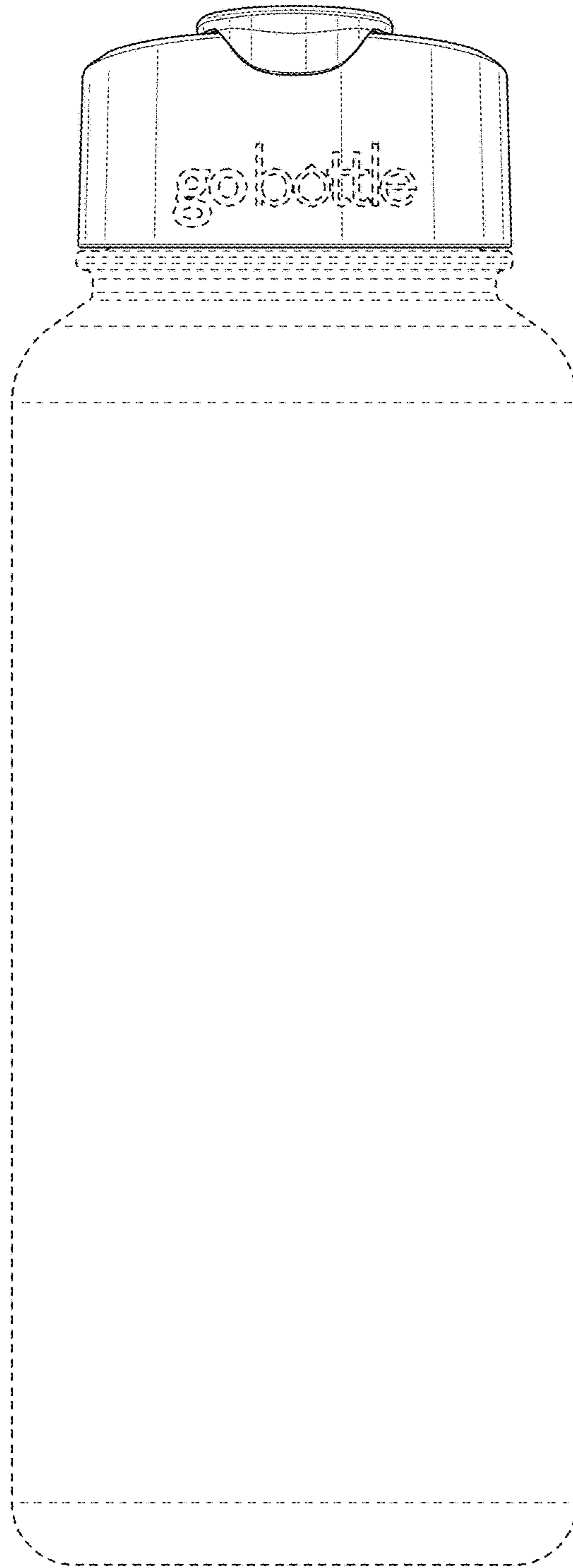


FIG. 2



FIG. 3

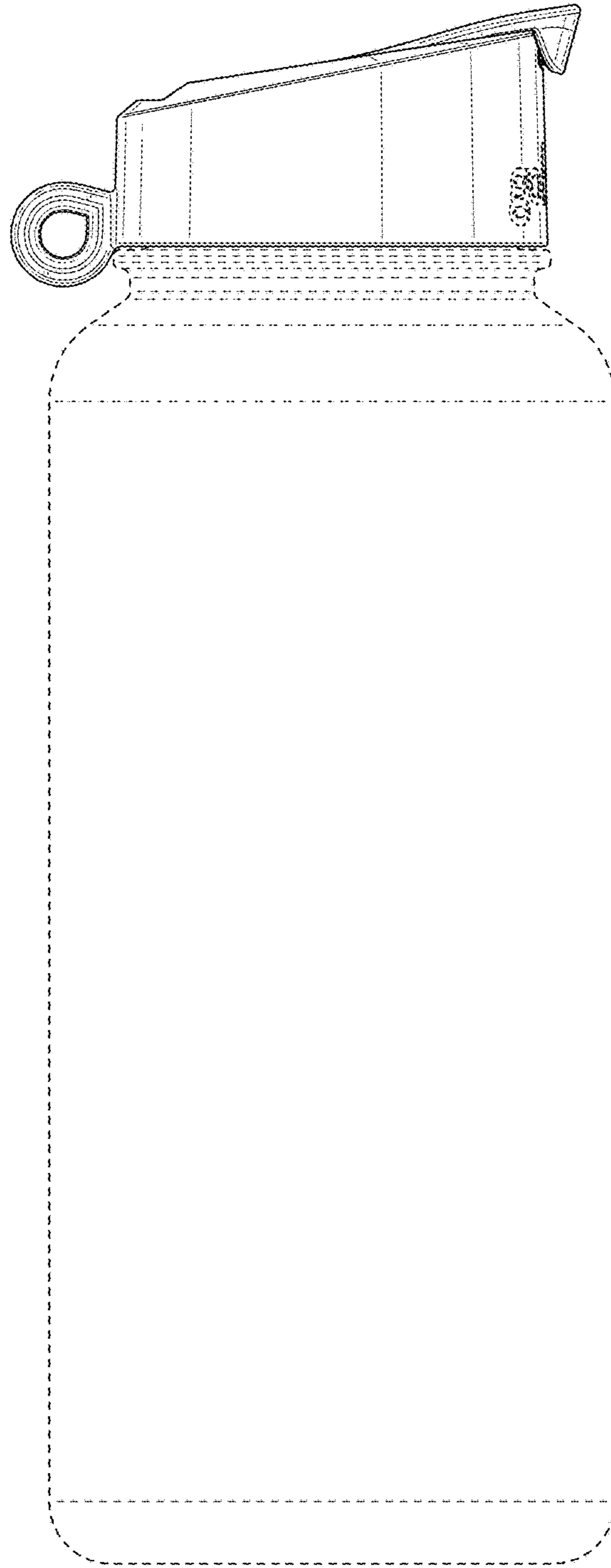


FIG. 4

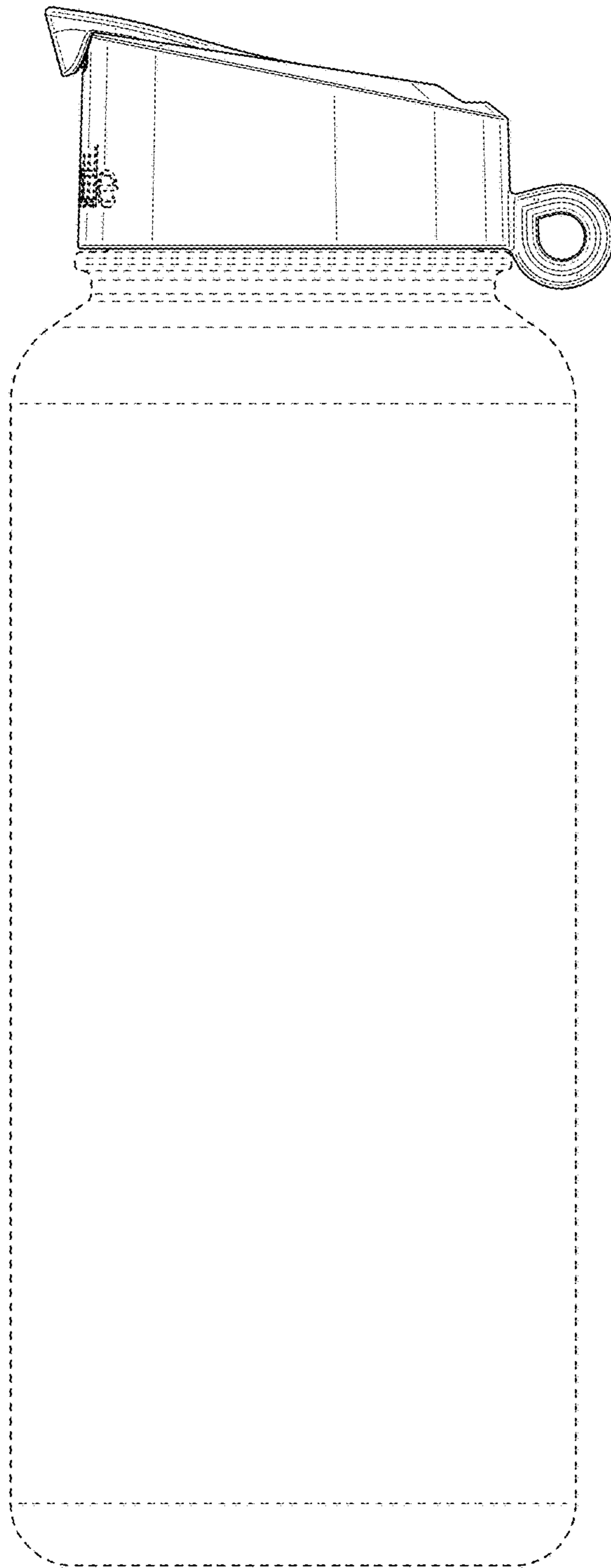


FIG. 5

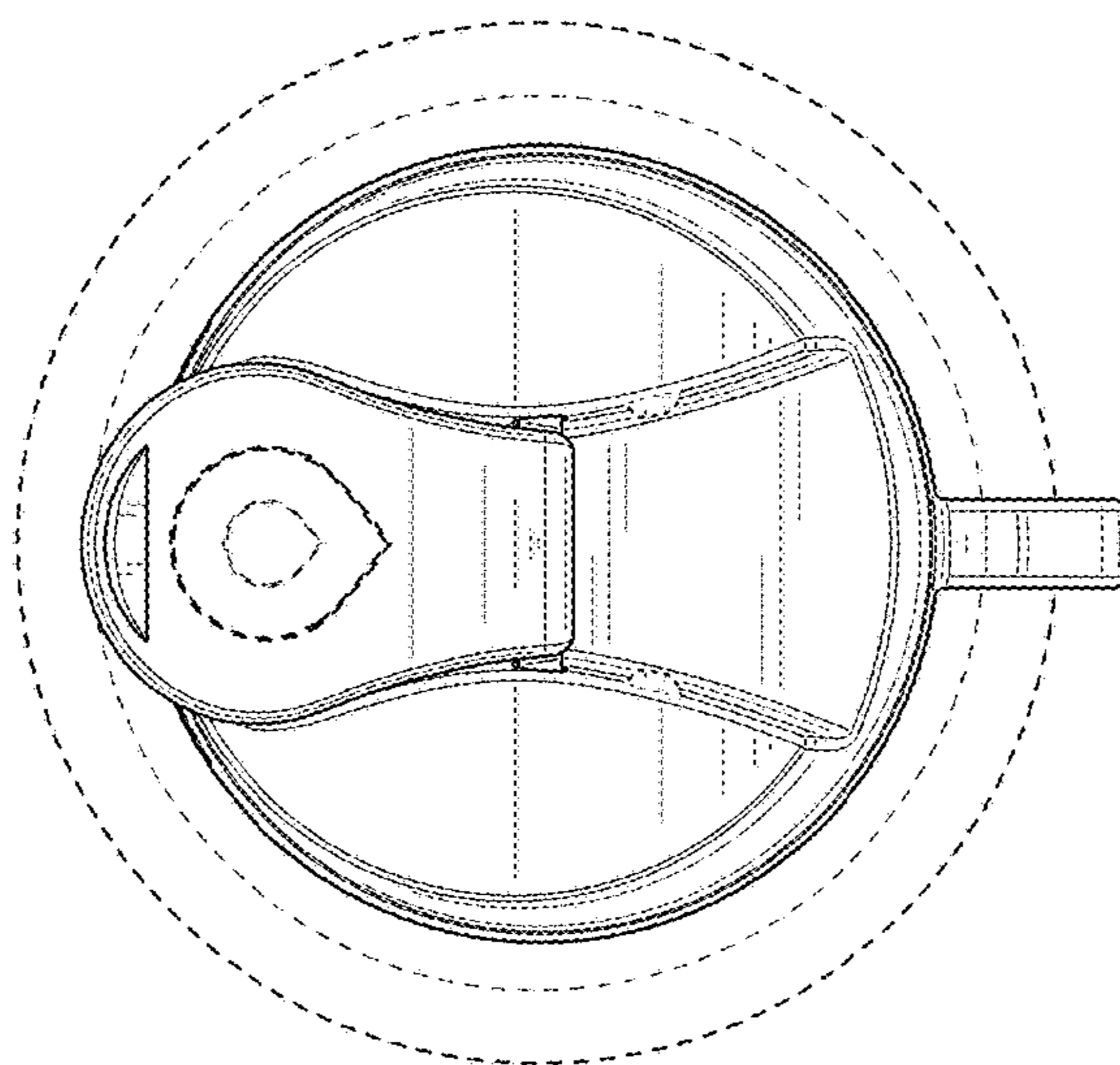


FIG. 6

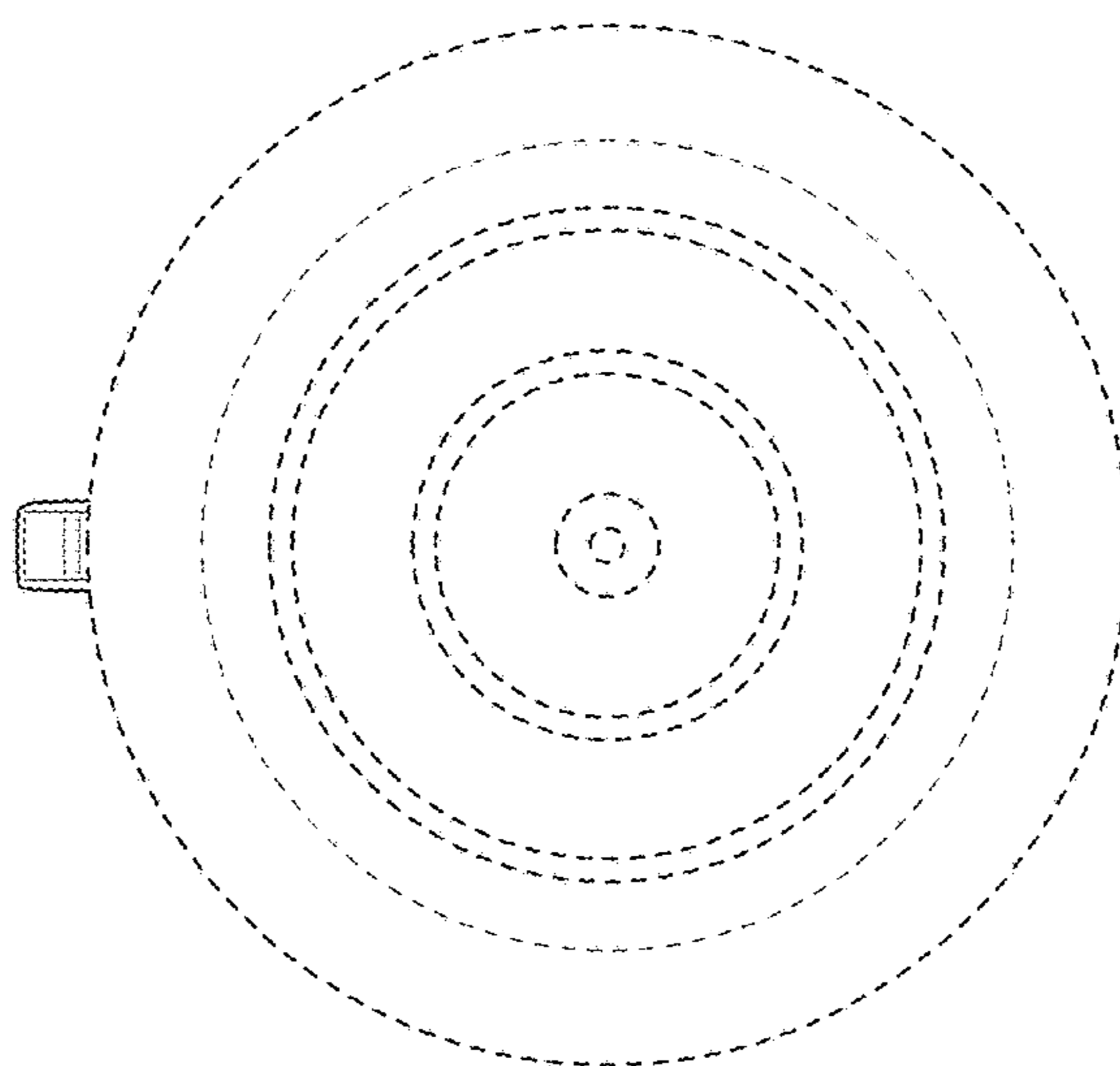


FIG. 7